

WIRING DIAGRAMS

CONTENTS

	page		page
AIR CONDITIONING-HEATER	8W-42-1	POWER DISTRIBUTION	8W-10-1
AIRBAG SYSTEM	8W-43-1	POWER DOOR LOCKS	8W-61-1
ANTI-LOCK BRAKES	8W-35-1	POWER MIRRORS	8W-62-1
AUDIO SYSTEM	8W-47-1	POWER SEATS	8W-63-1
BODY CONTROL MODULE	8W-45-1	POWER SUNROOF	8W-64-1
CHARGING SYSTEM	8W-20-1	POWER WINDOWS	8W-60-1
COMPONENT INDEX	8W-02-1	REAR LIGHTING	8W-51-1
CONNECTOR LOCATIONS	8W-90-1	REAR WINDOW DEFOGGER	8W-48-1
CONNECTOR PIN-OUTS	8W-80-1	SPLICE INFORMATION	8W-70-1
FRONT LIGHTING	8W-50-1	SPLICE LOCATIONS	8W-95-1
FUEL/IGNITION SYSTEM	8W-30-1	STARTING SYSTEM	8W-21-1
GENERAL INFORMATION	8W-01-1	TRAILER TOW	8W-54-1
GROUND DISTRIBUTION	8W-15-1	TRANSMISSION CONTROL SYSTEM	8W-31-1
HORN/CIGAR LIGHTER/POWER OUTLET ..	8W-41-1	TURN SIGNALS	8W-52-1
INSTRUMENT CLUSTER	8W-40-1	VEHICLE SPEED CONTROL	8W-33-1
INTERIOR LIGHTING	8W-44-1	VEHICLE THEFT SECURITY SYSTEM	8W-39-1
JUNCTION BLOCK	8W-12-1	WIPERS	8W-53-1
OVERHEAD CONSOLE	8W-49-1		

8W-01 GENERAL INFORMATION

INDEX

	page	page
DESCRIPTION AND OPERATION		
CIRCUIT FUNCTIONS	4	
CIRCUIT INFORMATION	4	
CONNECTOR INFORMATION	7	
ELECTROSTATIC DISCHARGE (ESD)		
SENSITIVE DEVICES	8	
INTRODUCTION	1	
NOTES, CAUTIONS, and WARNINGS	7	
SECTION IDENTIFICATION	5	
SPLICE LOCATIONS	7	
SYMBOLS	5	
TAKE OUTS	8	
TERMINOLOGY	7	
DIAGNOSIS AND TESTING		
INTERMITTENT AND POOR CONNECTIONS	9	
TROUBLESHOOTING TESTS	9	
TROUBLESHOOTING TOOLS	8	
		TROUBLESHOOTING WIRING PROBLEMS 10
		SERVICE PROCEDURES
		CONNECTOR AND TERMINAL
		REPLACEMENT 13
		CONNECTOR REPLACEMENT 12
		DIODE REPLACEMENT 14
		TERMINAL REPLACEMENT 14
		TERMINAL/CONNECTOR REPAIR- AUGAT
		CONNECTORS 12
		TERMINAL/CONNECTOR REPAIR-MOLEX
		CONNECTORS 11
		TERMINAL/CONNECTOR REPAIR—THOMAS
		AND BETTS CONNECTORS 11
		WIRING REPAIR 10
		SPECIAL TOOLS
		WIRING/TERMINAL 15

DESCRIPTION AND OPERATION

INTRODUCTION

Chrysler wiring diagrams are designed to provide information regarding the vehicles wiring content. In order to effectively use Chrysler wiring diagrams to diagnose and repair a Chrysler vehicle, it is important to understand all of their features and characteristics.

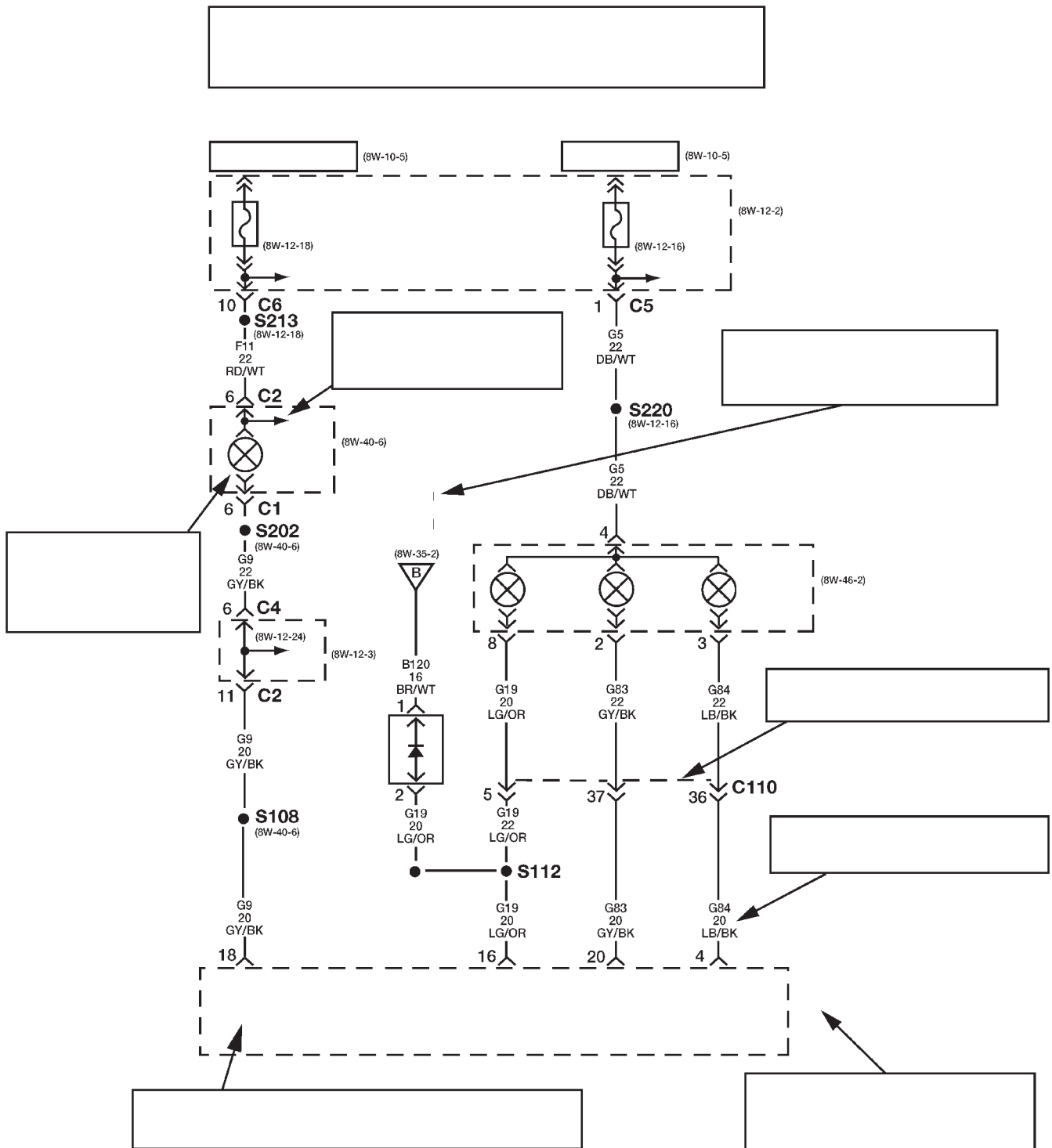
Diagrams are arranged such that the power (B+) side of the circuit is placed near the top of the page, and the ground (B-) side of the circuit is placed near the bottom of the page.

All switches, components, and modules are shown in the at rest position with the doors closed and the key removed from the ignition.

Components are shown two ways. A solid line around a component indicates that the component is complete. A dashed line around a component indicates that the component being shown is not complete. Incomplete components have a reference number to indicate the page where the component is shown complete.

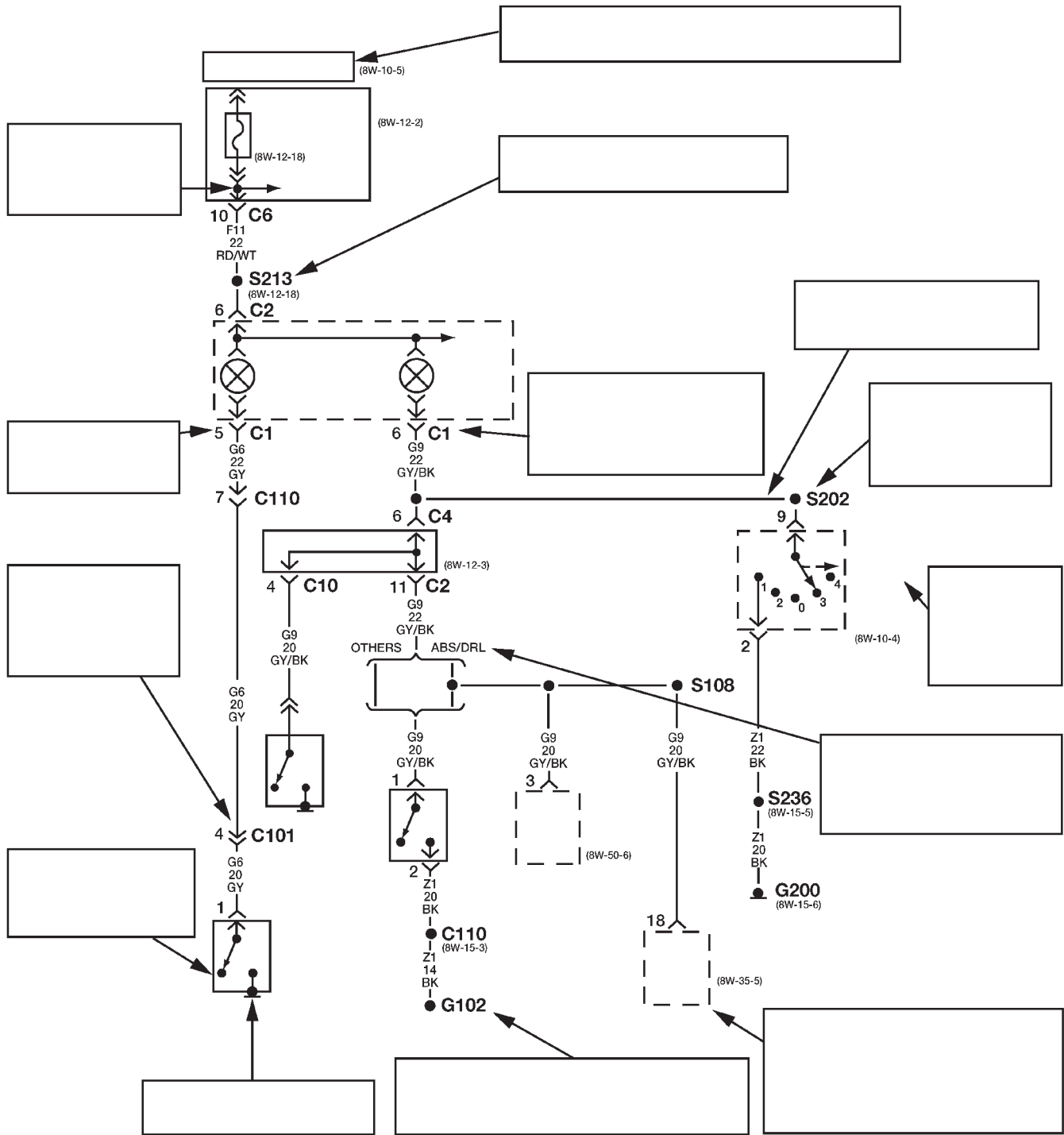
It is important to realize that no attempt is made on the diagrams to represent components and wiring as they appear on the vehicle. For example, a short piece of wire is treated the same as a long one. In addition, switches and other components are shown as simply as possible, with regard to function only.

DESCRIPTION AND OPERATION (Continued)



Wiring Diagram Example No.1

DESCRIPTION AND OPERATION (Continued)

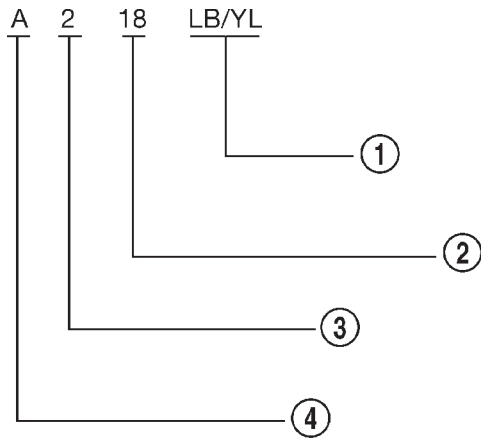


Wiring Diagram Example No.2

DESCRIPTION AND OPERATION (Continued)

CIRCUIT INFORMATION

Each wire shown in the diagrams contains a code which identifies the main circuit, part of the main circuit, gage of wire, and color (Fig. 1).



80aff571

Fig. 1 Wire Code Identification

- 1 - COLOR OF WIRE (LIGHT BLUE WITH YELLOW TRACER)
- 2 - GAUGE OF WIRE (18 GAUGE)
- 3 - PART OF MAIN CIRCUIT (VARIES DEPENDING ON EQUIPMENT)
- 4 - MAIN CIRCUIT IDENTIFICATION

WIRE COLOR CODE CHART

COLOR CODE	COLOR	STANDARD TRACER COLOR
BL	BLUE	WT
BK	BLACK	WT
BR	BROWN	WT
DB	DARK BLUE	WT
DG	DARK GREEN	WT
GY	GRAY	BK
LB	LIGHT BLUE	BK
LG	LIGHT GREEN	BK
OR	ORANGE	BK
PK	PINK	BK or WT
RD	RED	WT
TN	TAN	WT
VT	VIOLET	WT
WT	WHITE	BK
YL	YELLOW	BK
*	WITH TRACER	

CIRCUIT FUNCTIONS

All circuits in the diagrams use an alpha/numeric code to identify the wire and its function. To identify which circuit code applies to a system, refer to the Circuit Identification Code Chart. This chart shows the main circuits only and does not show the secondary codes that may apply to some models.

CIRCUIT IDENTIFICATION CODE CHART

CIRCUIT	FUNCTION
A	BATTERY FEED
B	BRAKE CONTROLS
C	CLIMATE CONTROLS
D	DIAGNOSTIC CIRCUITS
E	DIMMING ILLUMINATION CIRCUITS
F	FUSED CIRCUITS
G	MONITORING CIRCUITS (GAUGES)
H	OPEN
I	NOT USED
J	OPEN
K	POWERTRAIN CONTROL MODULE
L	EXTERIOR LIGHTING
M	INTERIOR LIGHTING
N	NOT USED
O	NOT USED
P	POWER OPTION (BATTERY FEED)
Q	POWER OPTIONS (IGNITION FEED)
R	PASSIVE RESTRAINT
S	SUSPENSION/STEERING
T	TRANSMISSION/TRANSAXLE/ TRANSFER CASE
U	OPEN
V	SPEED CONTROL, WIPER/WASHER
W	OPEN
X	AUDIO SYSTEMS
Y	OPEN
Z	GROUNDS

DESCRIPTION AND OPERATION (Continued)

SECTION IDENTIFICATION



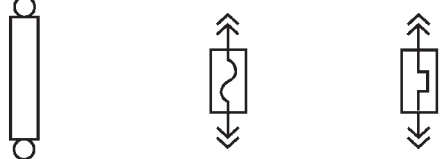







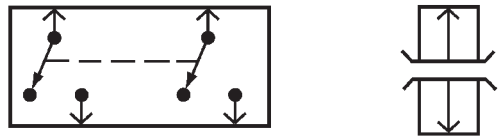
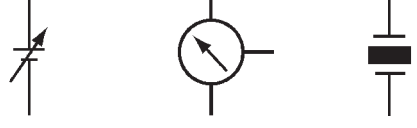




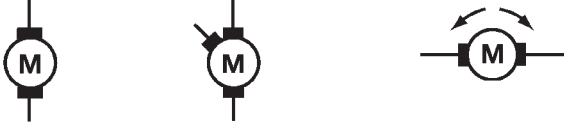
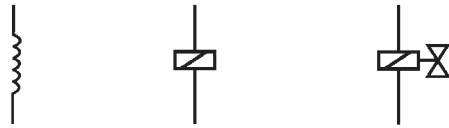
The wiring diagrams are grouped into individual sections. If a component is most likely found in a particular group, it will be shown complete (all wires, connectors, and pins) within that group. For example, the Auto Shutdown Relay is most likely to be found in Group 30, so it is shown there complete. It can, however, be shown partially in another group if it contains some associated wiring.

SYMBOLS

International symbols are used throughout the wiring diagrams. These symbols are consistent with those being used around the world

GROUP	TOPIC
8W-01 thru 8W-09	General Information and Diagram Overview
8W-10 thru 8W-19	Main Sources of Power and Vehicle Grounding
8W-20 thru 8W-29	Starting and Charging
8W-30 thru 8W-39	Powertrain/Drivetrain Systems
8W-40 thru 8W-49	Body Electrical items and A/C
8W-50 thru 8W-59	Exterior Lighting, Wipers, and Trailer Tow
8W-60 thru 8W-69	Power Accessories
8W-70	Splice Information
8W-80	Connector Pin Outs
8W-90	Connector Locations (including grounds)
8W-95	Splice Locations

DESCRIPTION AND OPERATION (Continued)

Wiring Diagram Symbols

DESCRIPTION AND OPERATION (Continued)

TERMINOLOGY

This a list of terms with there definitions used in the wiring diagrams.

- Built-Up-Export Vehicles Built For Sale In Markets Other Than North America
- Except-Built-Up-Export Vehicles Built For Sale In North America
- LHD Left Hand Drive Vehicles
- RHD Right Hand Drive Vehicles
- EATX Electronic Automatic Transmission-Front Wheel Drive
- ATX Automatic Transmission-Front Wheel Drive
- MTX Manual Transmission-Front Wheel Drive
- A/T Automatic Transmission-Rear Wheel Drive
- M/T Manual Transmission-Rear Wheel Drive
- SOHC Single Over Head Cam Engine
- DOHC Dual Over Head Cam Engine

CONNECTOR INFORMATION

CAUTION: Not all connectors are serviced. Some connectors are serviced only with a harness. A typical example might be the Supplemental Restraint System connectors. Always check parts availability before attempting a repair.

IDENTIFICATION

In-line connectors are identified by a number, as follows:

- In-line connectors located on the **engine compartment harness** are **C100** series numbers.
- Connectors located on the **instrument panel harness** are **C200** series numbers.
- Connectors located on the **body harness** are **C300** series numbers.
- **Jumper harness connectors** are **C400** series numbers.
- **Grounds and ground connectors** are identified with a “**G**” and follow the same series numbering as the in-line connector.

Component connectors are identified by the component name instead of a number. Multiple connectors on a component use a C1, C2, etc. identifier.

LOCATIONS

Section 8W-90 contains connector/ground location illustrations. The illustrations contain the connector name (or number)/ground number and component identification. Connector/ground location charts in Section 8W-90 reference the illustration number for components and connectors.

Section 8W-80 shows each connector and the circuits involved with that connector. The connectors

are identified using the name/number on the Diagram pages.

SPLICE LOCATIONS

Splice Location charts in Section 8W-70 show the entire splice, and provide references to other sections the splice serves.

Section 8W-95 contains illustrations that show the general location of the splices in each harness. The illustrations show the splice by number, and provide a written location.

NOTES, CAUTIONS, and WARNINGS

Throughout this group additional important information is presented in three ways; Notes, Cautions, and Warnings.

NOTES are used to help describe how switches or components operate to complete a particular circuit. They are also used to indicate different conditions that may appear on the vehicle. For example, an up-to and after condition.

CAUTIONS are used to indicate information that could prevent making an error that may damage the vehicle.

WARNINGS provide information to prevent personal injury and vehicle damage. Below is a list of general warnings that should be followed any time a vehicle is being serviced.

WARNING: ALWAYS WEAR SAFETY GLASSES FOR EYE PROTECTION.

WARNING: USE SAFETY STANDS ANYTIME A PROCEDURE REQUIRES BEING UNDER A VEHICLE.

WARNING: BE SURE THAT THE IGNITION SWITCH ALWAYS IS IN THE OFF POSITION, UNLESS THE PROCEDURE REQUIRES IT TO BE ON.

WARNING: SET THE PARKING BRAKE WHEN WORKING ON ANY VEHICLE. AN AUTOMATIC TRANSMISSION SHOULD BE IN PARK. A MANUAL TRANSMISSION SHOULD BE IN NEUTRAL.

WARNING: OPERATE THE ENGINE ONLY IN A WELL-VENTILATED AREA.

WARNING: KEEP AWAY FROM MOVING PARTS WHEN THE ENGINE IS RUNNING, ESPECIALLY THE FAN AND BELTS.

DESCRIPTION AND OPERATION (Continued)

WARNING: TO PREVENT SERIOUS BURNS, AVOID CONTACT WITH HOT PARTS SUCH AS THE RADIATOR, EXHAUST MANIFOLD(S), TAIL PIPE, CATALYTIC CONVERTER, AND MUFFLER.

WARNING: DO NOT ALLOW FLAME OR SPARKS NEAR THE BATTERY. GASES ARE ALWAYS PRESENT IN AND AROUND THE BATTERY.

WARNING: ALWAYS REMOVE RINGS, WATCHES, LOOSE HANGING JEWELRY, AND LOOSE CLOTHING.

TAKE OUTS

The abbreviation T/O is used in the component location section to indicate a point in which the wiring harness branches out to a component.

ELECTROSTATIC DISCHARGE (ESD) SENSITIVE DEVICES

All ESD sensitive components are solid state and a symbol (Fig. 2) is used to indicate this. When handling any component with this symbol comply with the following procedures to reduce the possibility of electrostatic charge build up on the body and inadvertent discharge into the component. If it is not known whether the part is ESD sensitive, assume that it is.

(1) Always touch a known good ground before handling the part. This should be repeated while handling the part and more frequently after sliding across a seat, sitting down from a standing position, or walking a distance.

(2) Avoid touching electrical terminals of the part, unless instructed to do so by a written procedure.

(3) When using a voltmeter, be sure to connect the ground lead first.

(4) Do not remove the part from its protective packing until it is time to install the part.

(5) Before removing the part from its package, ground the package to a known good ground on the vehicle.



948W-193

Fig. 2 Electrostatic Discharge Symbol

DIAGNOSIS AND TESTING

TROUBLESHOOTING TOOLS

When diagnosing a problem in an electrical circuit there are several common tools necessary. These tools are listed and explained below.

- Jumper Wire - This is a test wire used to connect two points of a circuit. It can be used to bypass an open in a circuit.

WARNING: NEVER USE A JUMPER WIRE ACROSS A LOAD, SUCH AS A MOTOR, CONNECTED BETWEEN A BATTERY FEED AND GROUND.

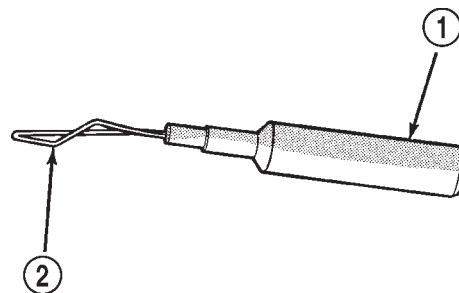
- Voltmeter - Used to check for voltage on a circuit. Always connect the black lead to a known good ground and the red lead to the positive side of the circuit.

CAUTION: Most of the electrical components used in today's vehicle are solid state. When checking voltages in these circuits use a meter with a 10-megohm or greater impedance rating.

- Ohmmeter - Used to check the resistance between two points of a circuit. Low or no resistance in a circuit means good continuity.

CAUTION: - Most of the electrical components used in today's vehicle are Solid State. When checking resistance in these circuits use a meter with a 10-megohm or greater impedance rating. In addition, make sure the power is disconnected from the circuit. Circuits that are powered up by the vehicle electrical system can cause damage to the equipment and provide false readings.

- Probing Tools - These tools are used for probing terminals in connectors (Fig. 3). Select the proper size tool from Special Tool Package 6807, and insert it into the terminal being tested. Use the other end of the tool to insert the meter probe.



948W-233

Fig. 3 Probing Tool

1 - SPECIAL TOOL 6801

2 - PROBING END

DIAGNOSIS AND TESTING (Continued)

INTERMITTENT AND POOR CONNECTIONS

Most intermittent electrical problems are caused by faulty electrical connections or wiring. It is also possible for a sticking component or relay to cause a problem. Before condemning a component or wiring assembly check the following items.

- Connectors are fully seated
- Spread terminals, or terminal push out
- Terminals in the wiring assembly are fully seated into the connector/component and locked in position
- Dirt or corrosion on the terminals. Any amount of corrosion or dirt could cause an intermittent problem
- Damaged connector/component casing exposing the item to dirt and moisture
- Wire insulation that has rubbed through causing a short to ground
- Some or all of the wiring strands broken inside of the insulation covering.
- Wiring broken inside of the insulation

TROUBLESHOOTING TESTS

Before beginning any tests on a vehicles electrical system use the Wiring Diagrams and study the circuit. Also refer to the Troubleshooting Wiring Problems in this section.

TESTING FOR VOLTAGE POTENTIAL

- (1) Connect the ground lead of a voltmeter to a known good ground (Fig. 4).
- (2) Connect the other lead of the voltmeter to the selected test point. The vehicle ignition may need to be turned ON to check voltage. Refer to the appropriate test procedure.

TESTING FOR CONTINUITY

- (1) Remove the fuse for the circuit being checked or, disconnect the battery.
- (2) Connect one lead of the ohmmeter to one side of the circuit being tested (Fig. 5).
- (3) Connect the other lead to the other end of the circuit being tested. Low or no resistance means good continuity.

TESTING FOR A SHORT TO GROUND

- (1) Remove the fuse and disconnect all items involved with the fuse.
- (2) Connect a test light or a voltmeter across the terminals of the fuse.
- (3) Starting at the fuse block, wiggle the wiring harness about six to eight inches apart and watch the voltmeter/test lamp.
- (4) If the voltmeter registers voltage or the test lamp glows, there is a short to ground in that general area of the wiring harness.

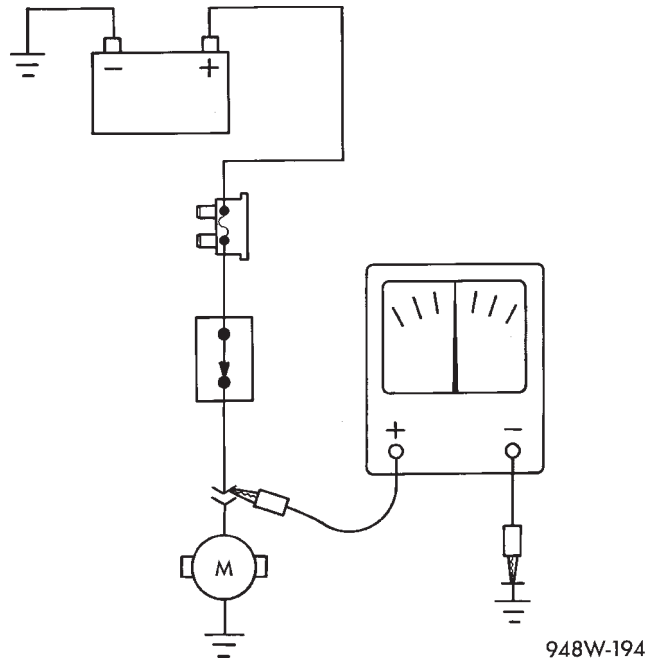


Fig. 4 Testing for Voltage Potential

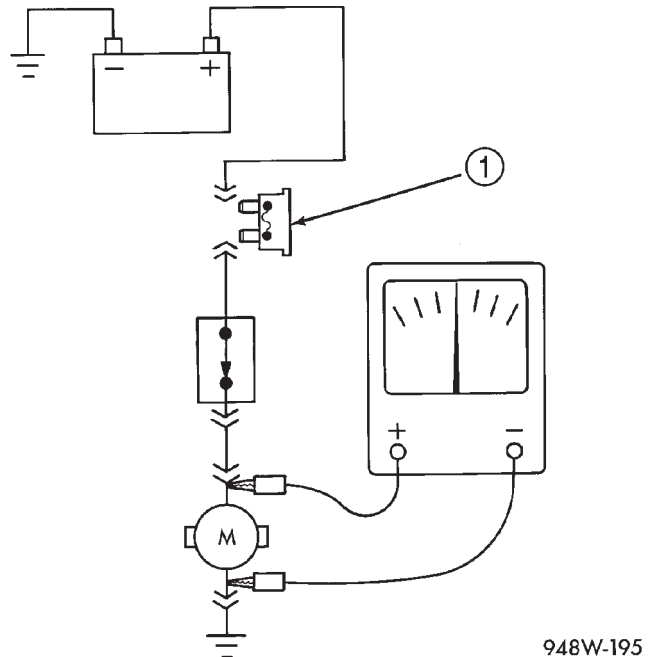


Fig. 5 Testing for Continuity

1 - FUSE REMOVED FROM CIRCUIT

TESTING FOR A SHORT TO GROUND ON FUSES POWERING SEVERAL LOADS

- (1) Refer to the wiring diagrams and disconnect or isolate all items on the suspected fused circuits.
- (2) Replace the blown fuse.
- (3) Supply power to the fuse by turning ON the ignition switch or re-connecting the battery.

DIAGNOSIS AND TESTING (Continued)

(4) Start connecting the items in the fuse circuit one at a time. When the fuse blows the circuit with the short to ground has been isolated.

TESTING FOR A VOLTAGE DROP

- (1) Connect the positive lead of the voltmeter to the side of the circuit closest to the battery (Fig. 6).
- (2) Connect the other lead of the voltmeter to the other side of the switch or component.
- (3) Operate the item.
- (4) The voltmeter will show the difference in voltage between the two points.

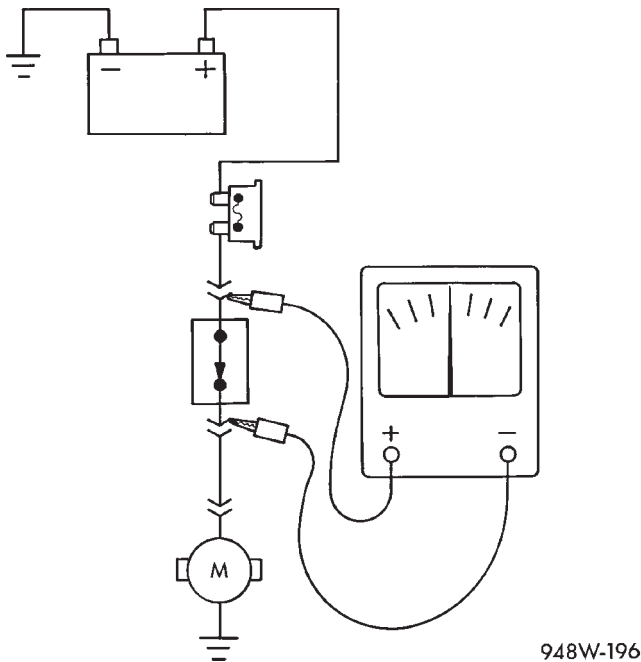


Fig. 6 Testing for Voltage Drop

TROUBLESHOOTING WIRING PROBLEMS

When troubleshooting wiring problems there are six steps which can aid in the procedure. The steps are listed and explained below. Always check for non-factory items added to the vehicle before doing any diagnosis. If the vehicle is equipped with these items, disconnect them to verify these add-on items are not the cause of the problem.

- (1) Verify the problem.
- (2) Verify any related symptoms. Do this by performing operational checks on components that are in the same circuit. Refer to the wiring diagrams.
- (3) Analyze the symptoms. Use the wiring diagrams to determine what the circuit is doing, where the problem most likely is occurring and where the diagnosis will continue.
- (4) Isolate the problem area.
- (5) Repair the problem.
- (6) Verify proper operation. For this step check for proper operation of all items on the repaired circuit. Refer to the wiring diagrams.

SERVICE PROCEDURES

WIRING REPAIR

When replacing or repairing a wire, it is important that the correct gage be used as shown in the wiring diagrams. The wires must also be held securely in place to prevent damage to the insulation.

- (1) Disconnect battery negative cable
- (2) Remove 1 inch of insulation from each end of the wire.
- (3) Place a piece of heat shrink tubing over one side of the wire. Make sure the tubing will be long enough to cover and seal the entire repair area.
- (4) Spread the strands of the wire apart on each part of the exposed wire (example 1). (Fig. 7)
- (5) Push the two ends of wire together until the strands of wire are close to the insulation (example 2) (Fig. 7)
- (6) Twist the wires together (example 3) (Fig. 7)
- (7) Solder the connection together using rosin core type solder only. **Do not use acid core solder.**
- (8) Center the heat shrink tubing over the joint, and heat using a heat gun. Heat the joint until the tubing is tightly sealed and sealant comes out of both ends of the tubing.
- (9) Secure the wire to the existing ones to prevent chafing or damage to the insulation
- (10) Connect battery and test all affected systems.

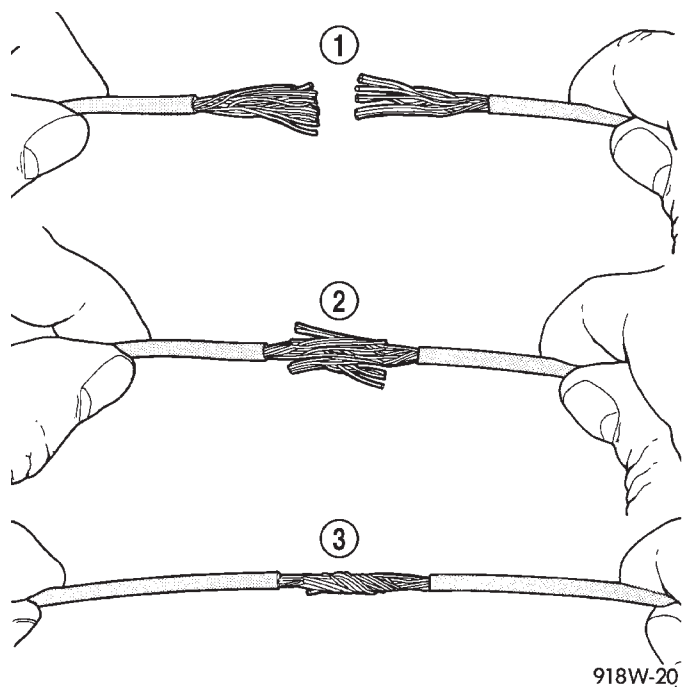


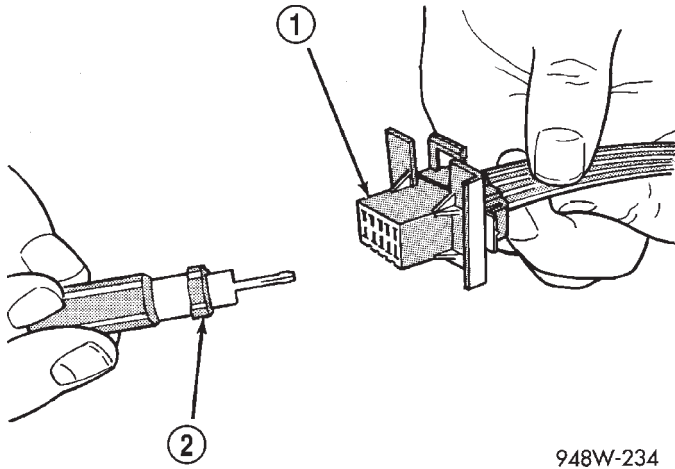
Fig. 7 Wire Repair

- 1 - EXAMPLE 1
- 2 - EXAMPLE 2
- 3 - EXAMPLE 3

SERVICE PROCEDURES (Continued)

TERMINAL/CONNECTOR REPAIR-MOLEX CONNECTORS

- (1) Disconnect battery.
- (2) Disconnect the connector from its mating half/component.
- (3) Insert the terminal releasing special tool 6742 into the terminal end of the connector (Fig. 8).

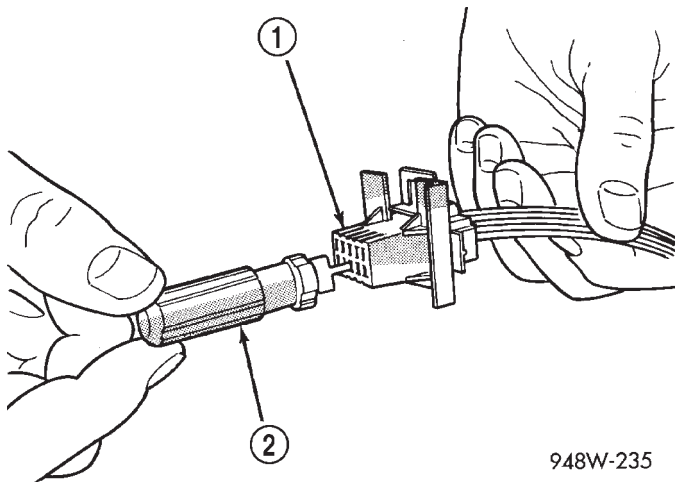


948W-234

Fig. 8 Molex Connector Repair

- 1 - CONNECTOR
2 - SPECIAL TOOL 6742

- (4) Using special tool 6742 release the locking fingers on the terminal (Fig. 9).
- (5) Pull on the wire to remove it from the connector.
- (6) Repair or replace the connector or terminal, as necessary.



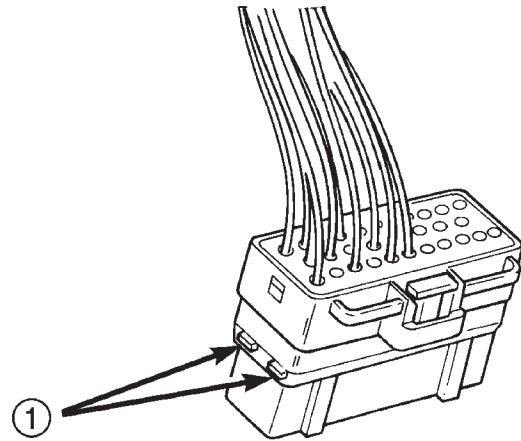
948W-235

Fig. 9 Using Special Tool 6742

- 1 - CONNECTOR
2 - SPECIAL TOOL 6742

TERMINAL/CONNECTOR REPAIR—THOMAS AND BETTS CONNECTORS

- (1) Disconnect battery.
- (2) Disconnect the connector from its mating half/component.
- (3) Push in the two lock tabs on the side of the connector (Fig. 10).

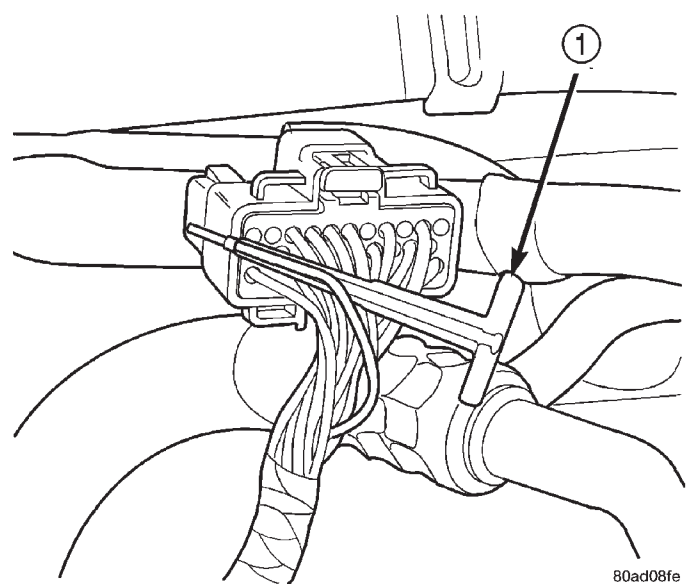


803f588a

Fig. 10 Thomas and Betts Connector Lock Release Tabs

- 1 - LOCK TABS

- (4) Insert the probe end of special tool 6934 into the back of the connector cavity (Fig. 11).
- (5) Grasp the wire and tool 6934 and slowly remove the wire and terminal from the connector.
- (6) Repair or replace the terminal.



80ad08fe

Fig. 11 Removing Wire Terminal

- 1 - SPECIAL TOOL 6934

SERVICE PROCEDURES (Continued)

(7) Install the wire and terminal in the connector.
Fully seat the terminal in the connector.

(8) Push in the single lock tab on the side of the connector (Fig. 12).

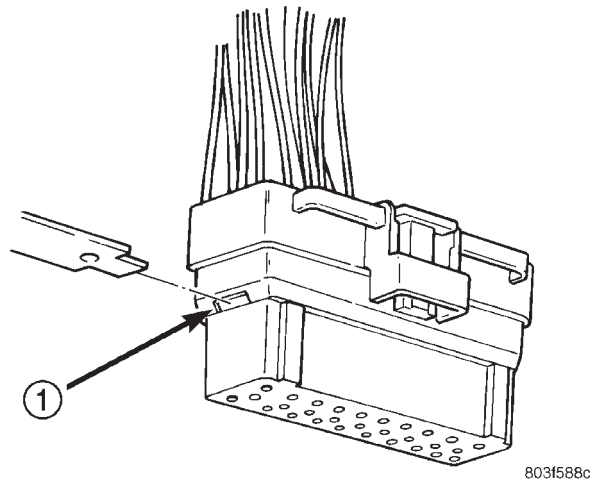


Fig. 12 Single Lock Tab

1 - SINGLE LOCK TAB

TERMINAL/CONNECTOR REPAIR- AUGAT CONNECTORS

- (1) Disconnect battery.
- (2) Disconnect the connector from its mating half/component.
- (3) Push down on the yellow connector locking tab to release the terminals (Fig. 13).

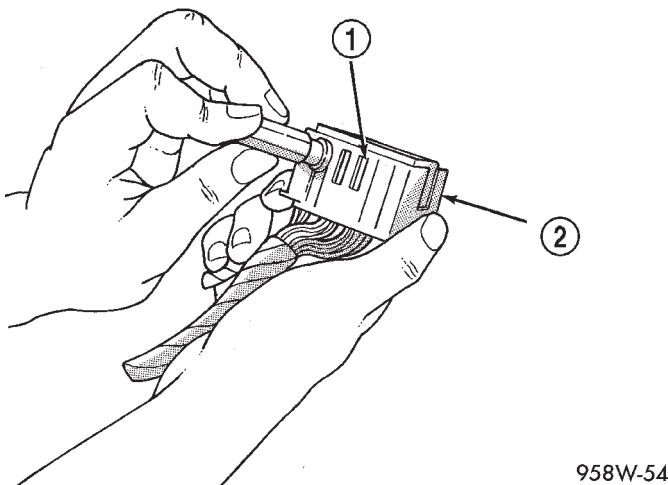


Fig. 13 Augat Connector Repair

1 - LOCKING TAB
2 - CONNECTOR

(4) Using special tool 6932, push the terminal to remove it from the connector (Fig. 14).

(5) Repair or replace the connector or terminal as necessary.

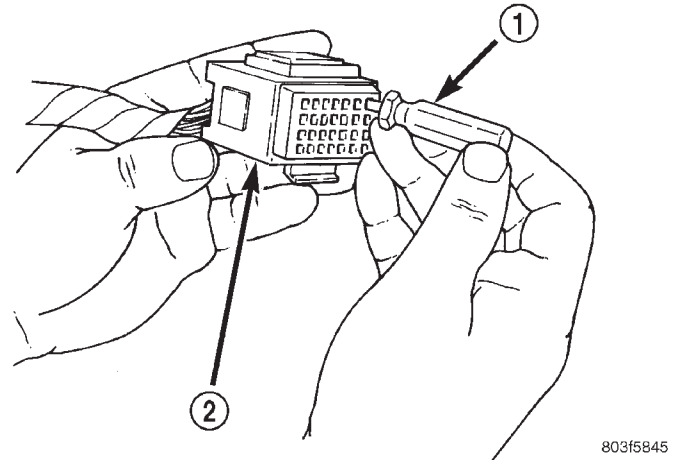


Fig. 14 Using Special Tool 6932

1 - SPECIAL TOOL 6932
2 - CONNECTOR

(6) When re-assembling the connector, the locking wedge must be placed in the locked position to prevent terminal push out.

CONNECTOR REPLACEMENT

- (1) Disconnect battery.
- (2) Disconnect the connector that is to be repaired from its mating half/component
- (3) Remove the connector locking wedge, if required (Fig. 15)

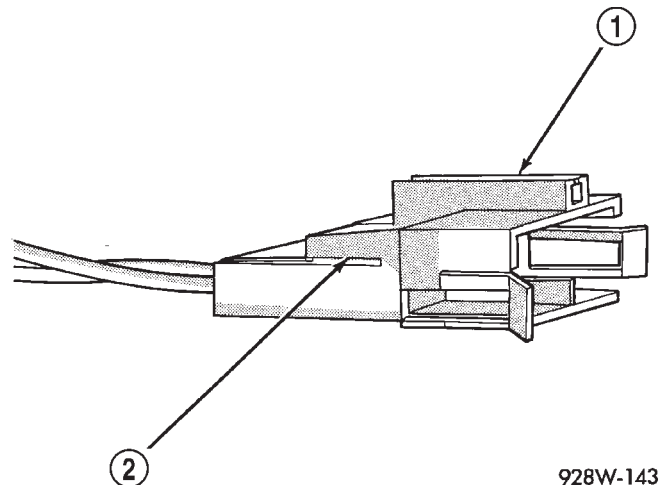


Fig. 15 Connector Locking Wedge

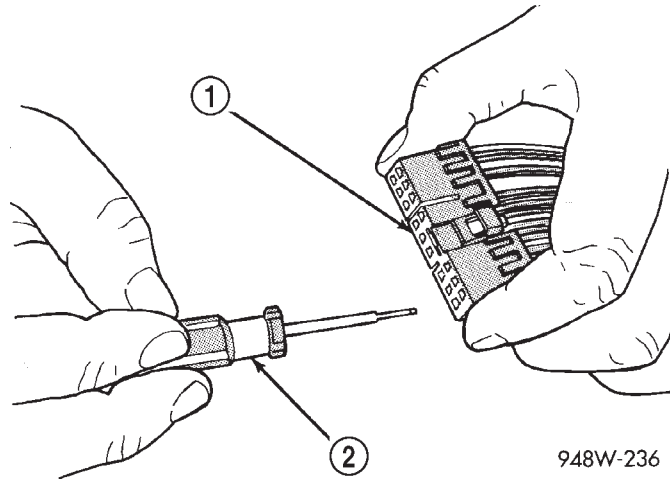
1 - CONNECTOR
2 - CONNECTOR LOCKING WEDGE TAB

(4) Position the connector locking finger away from the terminal using the proper pick from special tool kit 6680. Pull on the wire to remove the terminal from the connector (Fig. 16) (Fig. 17).

(5) Reset the terminal locking tang, if it has one.

SERVICE PROCEDURES (Continued)

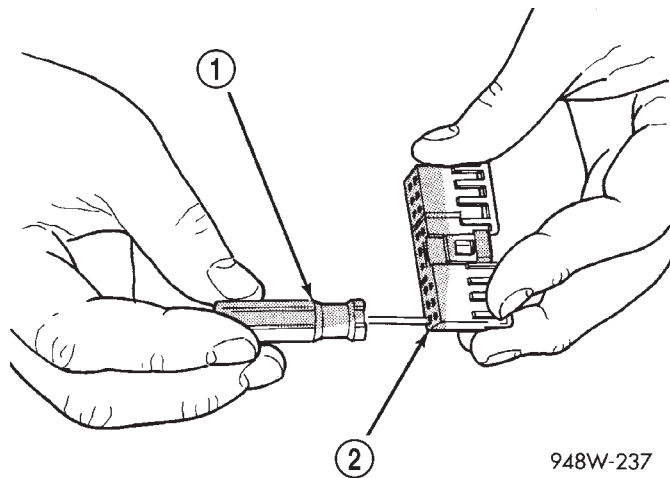
- (6) Insert the removed wire in the same cavity on the repair connector.
- (7) Repeat steps four through six for each wire in the connector, being sure that all wires are inserted into the proper cavities. For additional connector pin-out identification, refer to the wiring diagrams.
- (8) Insert the connector locking wedge into the repaired connector, if required.
- (9) Connect connector to its mating half/component.
- (10) Connect battery and test all affected systems.



948W-236

Fig. 16 Terminal Removal

- 1 - CONNECTOR
- 2 - FROM SPECIAL TOOL KIT 6680



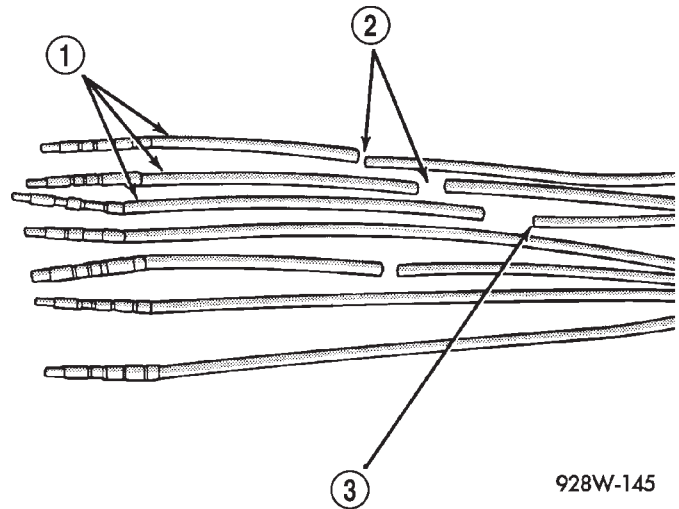
948W-237

Fig. 17 Terminal Removal Using Special Tool

- 1 - FROM SPECIAL TOOL KIT 6680
- 2 - CONNECTOR

CONNECTOR AND TERMINAL REPLACEMENT

- (1) Disconnect battery.
- (2) Disconnect the connector (that is to be repaired) from its mating half/component.
- (3) Cut off the existing wire connector directly behind the insulator. Remove six inches of tape from the harness.
- (4) Stagger cut all wires on the harness side at 1/2 inch intervals (Fig. 18).
- (5) Remove 1 inch of insulation from each wire on the harness side.
- (6) Stagger cut the matching wires on the repair connector assembly in the opposite order as was done on the harness side of the repair. Allow extra length for soldered connections. Check that the overall length is the same as the original (Fig. 18).



928W-145

Fig. 18 Stagger Cutting Wires

- 1 - REPAIR SIDE WIRES
- 2 - STAGER CUTS
- 3 - HARNESS WIRES

- (7) Remove 1 inch of insulation from each wire.
- (8) Place a piece of heat shrink tubing over one side of the wire. Be sure the tubing will be long enough to cover and seal the entire repair area.
- (9) Spread the strands of the wire apart on each part of the exposed wires.
- (10) Push the two ends of wire together until the strands of wire are close to the insulation.
- (11) Twist the wires together.
- (12) Solder the connection together using rosin core type solder only. **Do not use acid core solder.**
- (13) Center the heat shrink tubing over the joint and heat using a heat gun. Heat the joint until the tubing is tightly sealed and sealant comes out of both ends of the tubing
- (14) Repeat steps 8 through 13 for each wire.
- (15) Re-tape the wire harness starting 1-1/2 inches behind the connector and 2 inches past the repair.

SERVICE PROCEDURES (Continued)

(16) Re-connect the repaired connector.

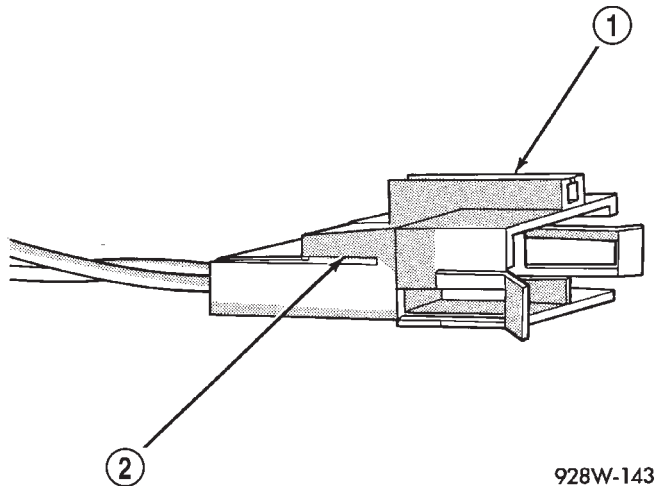
(17) Connect the battery, and test all affected systems.

TERMINAL REPLACEMENT

(1) Disconnect battery.

(2) Disconnect the connector being repaired from its mating half. Remove connector locking wedge, if required (Fig. 19).

(3) Remove connector locking wedge, if required (Fig. 19).

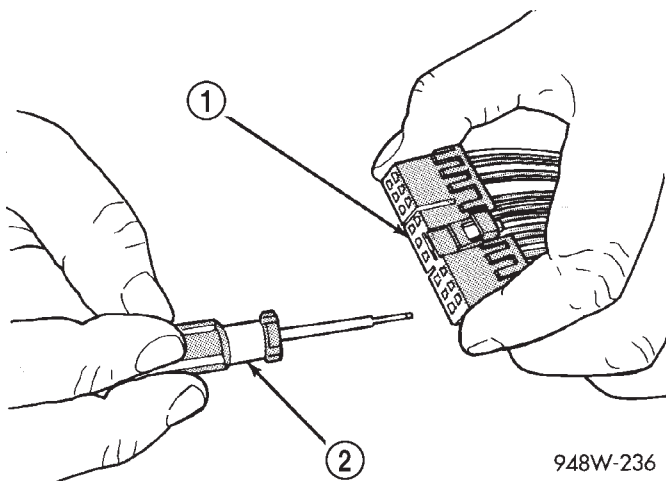


928W-143

Fig. 19 Connector Locking Wedge Tab (Typical)

- 1 - CONNECTOR
2 - CONNECTOR LOCKING WEDGE TAB

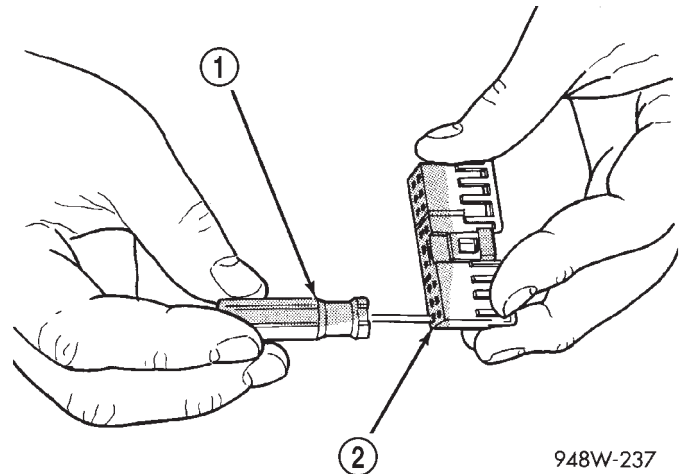
(4) Position the connector locking finger away from the terminal using the proper pick from special tool kit 6680. Pull on the wire to remove the terminal from the connector (Fig. 20) (Fig. 21).



948W-236

Fig. 20 Terminal Removal

- 1 - CONNECTOR
2 - FROM SPECIAL TOOL KIT 6680



948W-237

Fig. 21 Terminal Removal Using Special Tool

- 1 - FROM SPECIAL TOOL KIT 6680
2 - CONNECTOR

(5) Cut the wire 6 inches from the back of the connector.

(6) Remove 1 inch of insulation from the wire on the harness side.

(7) Select a wire from the terminal repair assembly that best matches the color wire being repaired.

(8) Cut the repair wire to the proper length and remove 1 inch of insulation.

(9) Place a piece of heat shrink tubing over one side of the wire. Make sure the tubing will be long enough to cover and seal the entire repair area.

(10) Spread the strands of the wire apart on each part of the exposed wires.

(11) Push the two ends of wire together until the strands of wire are close to the insulation.

(12) Twist the wires together.

(13) Solder the connection together using rosin core type solder only. **Do not use acid core solder.**

(14) Center the heat shrink tubing over the joint and heat using a heat gun. Heat the joint until the tubing is tightly sealed and sealant comes out of both ends of the tubing.

(15) Insert the repaired wire into the connector.

(16) Install the connector locking wedge, if required, and reconnect the connector to its mating half/component.

(17) Re-tape the wire harness starting 1-1/2 inches behind the connector and 2 inches past the repair.

(18) Connect battery, and test all affected systems.

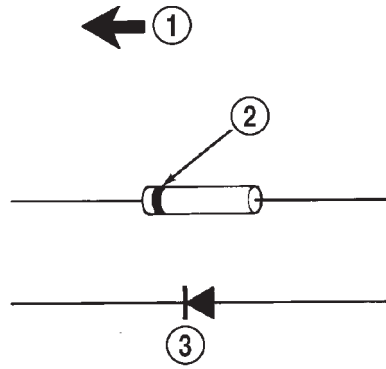
DIODE REPLACEMENT

(1) Disconnect the battery.

(2) Locate the diode in the harness, and remove the protective covering.

(3) Remove the diode from the harness, pay attention to the current flow direction (Fig. 22).

SERVICE PROCEDURES (Continued)



948W-197

Fig. 22 Diode Identification

- 1 - CURRENT FLOW
- 2 - BAND AROUND DIODE INDICATES CURRENT FLOW
- 3 - DIODE AS SHOWN IN THE DIAGRAMS

(4) Remove the insulation from the wires in the harness. Only remove enough insulation to solder in the new diode.

(5) Install the new diode in the harness, making sure current flow is correct. If necessary refer to the appropriate wiring diagram for current flow.

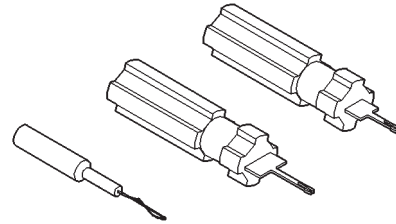
(6) Solder the connection together using rosin core type solder only. **Do not use acid core solder.**

(7) Tape the diode to the harness using electrical tape making, sure the diode is completely sealed from the elements.

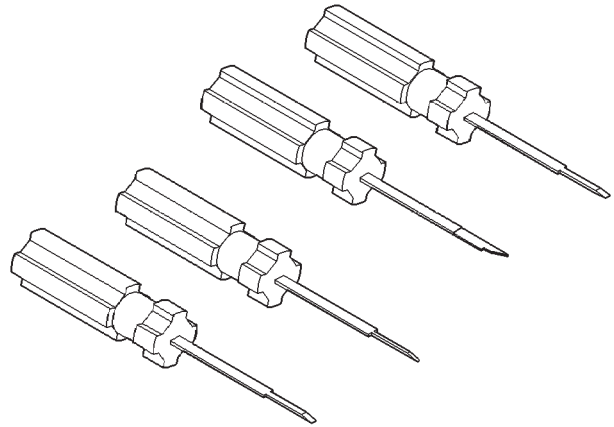
(8) Re-connect the battery, and test affected systems.

SPECIAL TOOLS

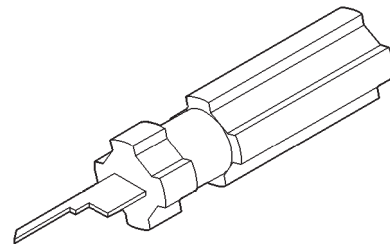
WIRING/TERMINAL



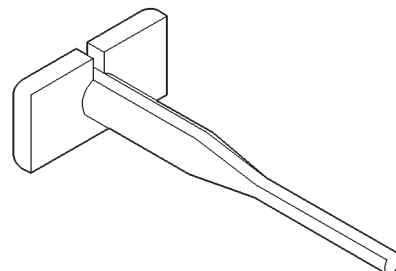
Probing Tool Package 6807



Terminal Pick 6680



Terminal Removing Tool 6932



Terminal Removing Tool 6934

8W-02 COMPONENT INDEX

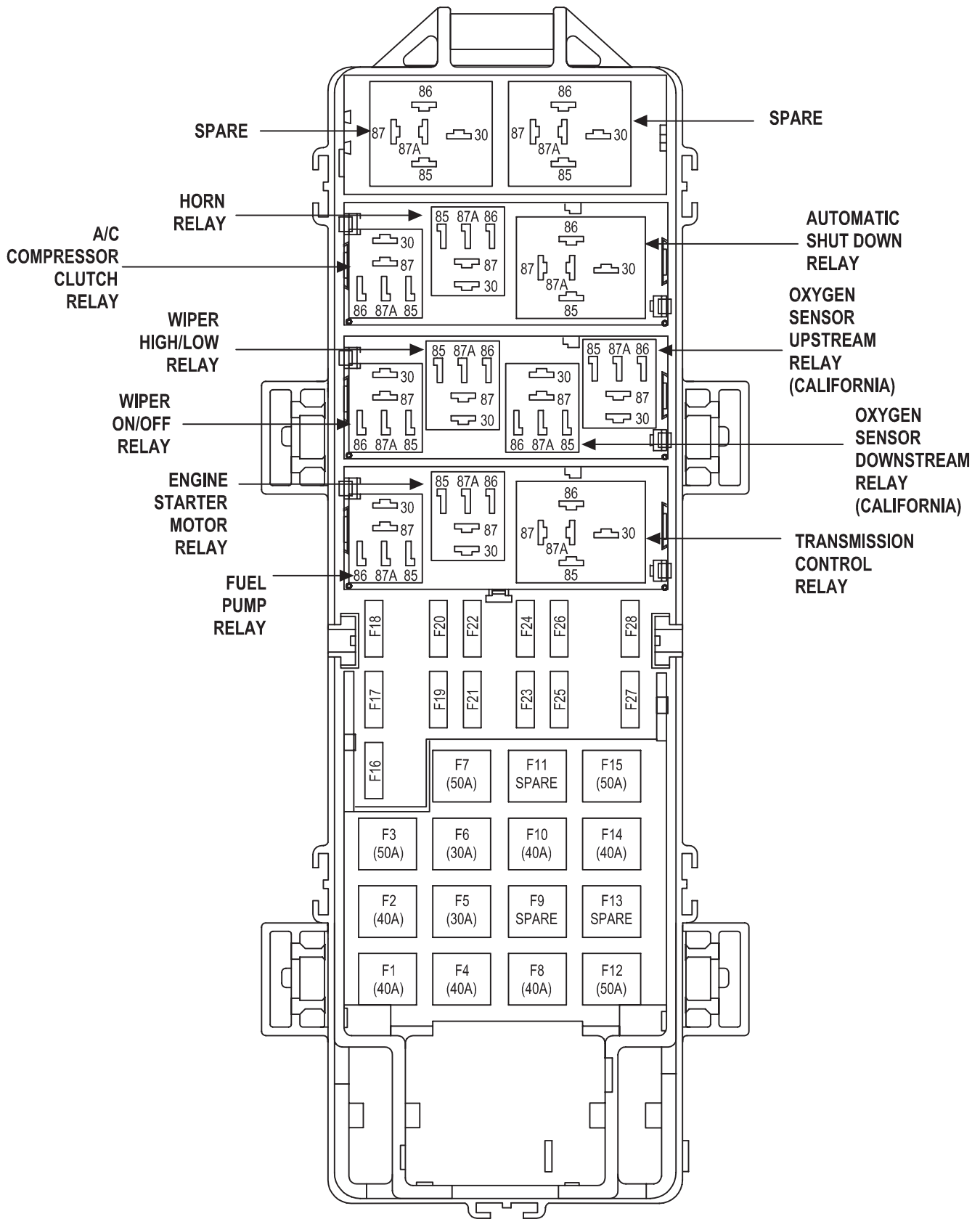
Component	Page	Component	Page
A/C Compressor Clutch Relay	8W-42	Engine Control Module	8W-30
A/C Compressor Clutch	8W-42	Engine Coolant Temperature Sensors	8W-30
A/C High Pressure Switch	8W-42	Engine Oil Pressure Sensor	8W-30
A/C Low Pressure Switch	8W-42	Engine Starter Motor Relay	8W-21
Accelerator Pedal Position Sensor	8W-30	Engine Starter Motor	8W-21
Airbag Control Module	8W-43	Fog Lamp Relay	8W-50
Airbags	8W-43	Fog Lamps	8W-50, 51
Ambient Temperature Sensor	8W-45	Folding Mirror Motor	8W-62
Antenna Module	8W-47	Front Power Outlet	8W-41
Antenna	8W-47	Fuel Heater Relay	8W-30
Ash Receiver Lamp	8W-44	Fuel Heater	8W-30
Automatic Day/Night Mirror	8W-49	Fuel Injectors	8W-30
Automatic Headlamp Light		Fuel Meter	8W-40
Sensor/VTSS LED	8W-39	Fuel Pump Module	8W-30
Automatic Shut Down Relay	8W-30	Fuel Pump Relay	8W-30
Automatic Zone Control Module	8W-42	Fuel Sender Unit	8W-30
Back-Up Lamp	8W-51	Fuses (JB)	8W-12
Battery Temperature Sensor	8W-30	Fuses (PDC)	8W-10
Battery	8W-20	Fusible Link	8W-10, 20
Blend Door Motor/Actuators	8W-42	Gauges	8W-40
Blower Motor Controller	8W-42	Generator	8W-20
Blower Motor Resistor Block	8W-42	Glove Box Lamp	8W-44
Blower Motor	8W-42	Glow Plug Relays	8W-30
Body Control Module	8W-45	Glow Plugs	8W-30
Brake Lamp Switch	8W-33	Grounds	8W-15
Brake Shift Interlock Solenoid	8W-30	G-Switch	8W-35
Brake Warning Indicator Switch	8W-35	Handle Courtesy Lamp Switches	8W-44
Camshaft Position Sensor	8W-30	Handle Courtesy Lamps	8W-44
Capacitors	8W-30	Headlamp Leveling Motors	8W-50
Cargo Lamp	8W-44	Headlamp Leveling Switch	8W-50
Center High Mounted Stop Lamp	8W-51	Headlamps	8W-50
Chime	8W-40	Heated Seat Backs	8W-63
Cigar Lighter Relay	8W-41	Heated Seat Cushions	8W-63
Cigar Lighter	8W-41	Heated Seat Switches	8W-63
Circuit Breakers (JB)	8W-12	High Beam Relay	8W-50
Clockspring	8W-33, 41, 43, 47	Hood Ajar Switch	8W-39
Coil On Plugs	8W-30	Horn Relay	8W-41
Combination Flasher	8W-52	Horn Switch	8W-41
Compact Disc Changer	8W-47	Horns	8W-41
Controller Anti-Lock Brake	8W-35	Idle Air Control Motor	8W-30
Coolant Level Sensor	8W-45	Ignition Switch	8W-10
Courtesy Lamps	8W-44	Illumination Lamps	8W-40
Crankshaft Position Sensor	8W-30	Indicators	8W-40
Cruise Switches	8W-33	Input Speed Sensor	8W-31
Data Link Connector	8W-30	Instrument Cluster	8W-40, 40
Diagnostic Junction Port	8W-30	Intake Air Temperature Sensor	8W-30
Door Courtesy Lamps	8W-44	Junction Block	8W-12
Door Cylinder Lock Switches	8W-61	Lamp Assemblies	8W-51, 52
Door Lock Motor/Ajar Switches	8W-61	Leak Detection Pump	8W-30
Door Modules	8W-60, 61, 62, 63	License Lamps	8W-51
Duty Cycle Evap/Purge Solenoid	8W-30	Liftgate Ajar Switch	8W-61
EGR Solenoid	8W-30	Liftgate Flip-Up Ajar Switch	8W-61

Component	Page	Component	Page
Liftgate Flip-Up Push Button Switch	8W-61	Rear Wiper Motor	8W-53
Liftgate Flip-Up Release Solenoid	8W-61	Recirculation Door Motor/Actuator	8W-42
Liftgate Lock Motor	8W-61	Remote Keyless Module	8W-39
Line Pressure Sensor	8W-31	Remote Radio Switches	8W-47
Low Beam Relay	8W-50	Seat Belt Switch	8W-40
Low Beam/Daytime Running Lamp Relay	8W-50	Seat Module	8W-63
Manifold Absolute Pressure Sensor	8W-30	Sentry Key Immobilizer Module	8W-39
Manual Temperature Control	8W-42	Side Marker Lamps	8W-50
Memory Set Switch	8W-62, 63	Side Repeaters	8W-50
Mode Door Motor/Actuator	8W-42	Speakers	8W-47
Multi- Function Switches	8W-50, 53	Splice Information	8W-70
Needle Movement Sensor	8W-30	Sunroof Control Module	8W-64
Output Speed Sensor	8W-30, 31	Sunroof Delay Relay	8W-64
Overdrive Switch	8W-31	Sunroof Motor Position Sensor	8W-64
Overhead Map/Courtesy Lamp Switches	8W-44	Sunroof Motor	8W-64
Overhead Map/Courtesy Lamps	8W-44	Sunroof Switch	8W-64
Oxygen Sensor Relays	8W-30	Tachometer	8W-40
Oxygen Sensors	8W-30	Tail/Stop Lamps	8W-51
Park Brake Switch	8W-40	Temperature Valve Actuator	8W-42
Park Lamp Relay	8W-50	Throttle Position Sensor	8W-30
Park Lamps	8W-50	Trailer Tow Circuit Breaker	8W-54
Park/Neutral Position Switch	8W-31	Trailer Tow Connector	8W-54
Park/Turn Signal Lamps	8W-50	Trailer Tow Electric Brake Provision	8W-54
Power Amplifier	8W-47	Trailer Tow Relays	8W-54
Power Connector	8W-41	Transfer Case Switch	8W-31
Power Distribution Center	8W-10	Transmission Control Module	8W-31
Power Mirrors	8W-62	Transmission Control Relay	8W-31
Power Seat Motor Sensors	8W-63	Transmission Solenoid	8W-31
Power Seat Motors	8W-63	Transmission Solenoid/TRS Assembly	8W-31
Power Seat Switches	8W-63	Turbo Boost Pressure Sensor	8W-30
Power Window Motors	8W-60	Turn Signal Lamps	8W-52
Power Window Switches	8W-60	Underhood Lamp	8W-44
Powertrain Control Module	8W-30	United Kingdom Security System Module	8W-39
PRNDL/Transfer Case Illumination	8W-44	Vehicle Information Center	8W-49
Radiator Fan Motor	8W-42	Vehicle Speed Control Servo	8W-33
Radiator Fan Relay	8W-42	Visor/Vanity Lamps	8W-44
Radio	8W-47	Washer Fluid Level Switch	8W-53
Rail Coil	8W-30	Water In Fuel Sensor	8W-30
Rear Fog Lamp Relay	8W-51	Wheel Speed Sensors	8W-35
Rear Power Outlet	8W-41	Windshield Washer Pump	8W-53
Rear Washer Pump	8W-53	Windshield Wiper Motor	8W-53
Rear Window Defogger Relay	8W-48	Wiper High/Low Relay	8W-53
Rear Window Defogger	8W-48	Wiper On/Off Relay	8W-53

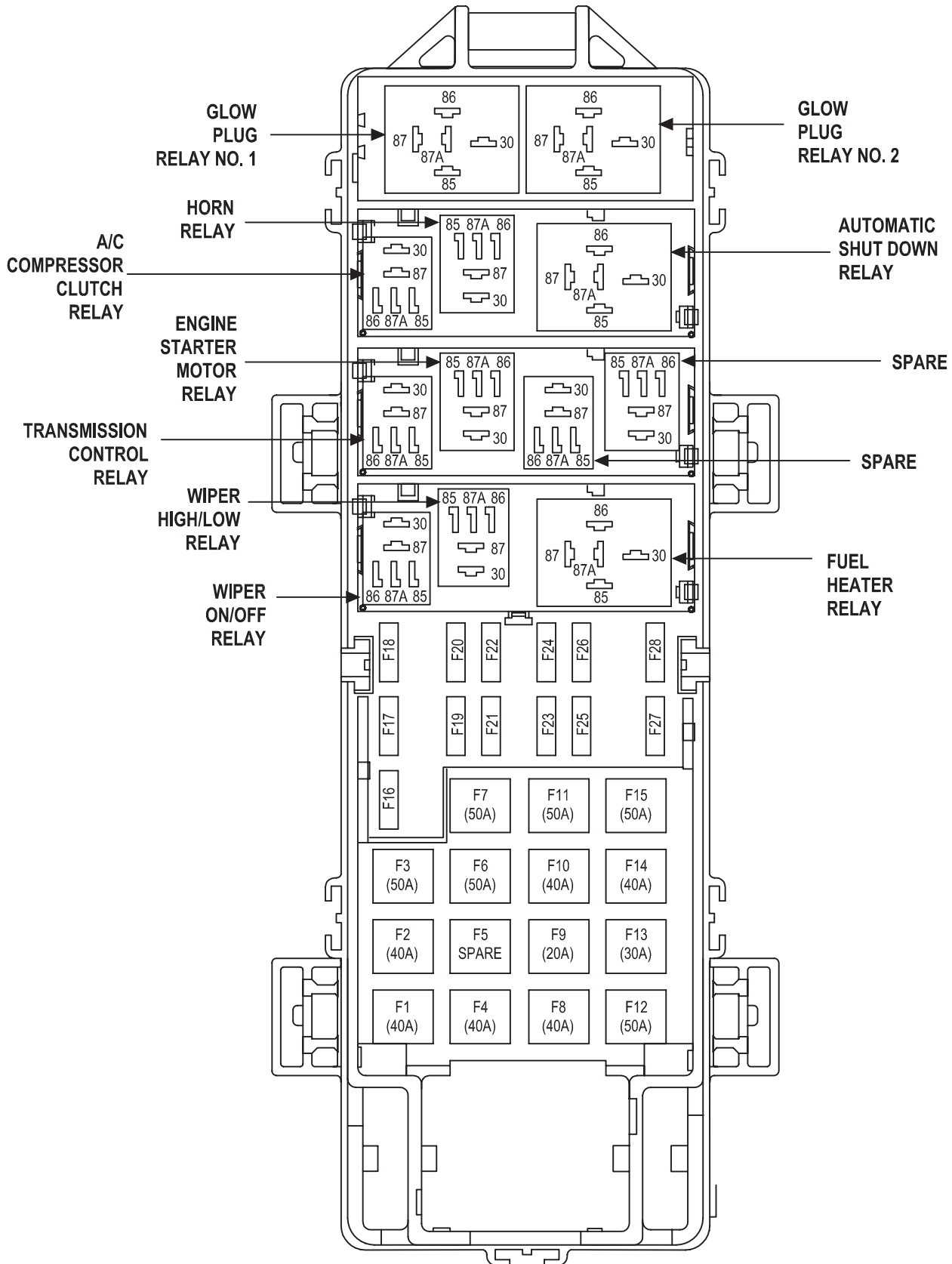
8W-10 POWER DISTRIBUTION

Component	Page	Component	Page
A/C Compressor Clutch	8W-10-31	Fuse 16 (PDC)	8W-10-19, 23
A/C Compressor Clutch Relay	8W-10-23, 31	Fuse 17 (JB)	8W-10-16
Automatic Shut Down Relay	8W-10-19, 23	Fuse 17 (PDC)	8W-10-13, 29
Battery	8W-10-11, 12	Fuse 18 (JB)	8W-10-28
Blower Motor	8W-10-15	Fuse 18 (PDC)	8W-10-13, 14, 30
Blower Motor Controller	8W-10-15	Fuse 19 (JB)	8W-10-26
Body Control Module	8W-10-25, 27	Fuse 19 (PDC)	8W-10-13, 30
Capacitor No. 1	8W-10-21	Fuse 20 (JB)	8W-10-26
Capacitor No. 2	8W-10-21	Fuse 21 (JB)	8W-10-27
Cigar Lighter Relay	8W-10-15	Fuse 21 (PDC)	8W-10-13, 14, 31
Circuit Breaker No. 1 (JB)	8W-10-27	Fuse 22 (JB)	8W-10-27
Circuit Breaker No. 2 (JB)	8W-10-22	Fuse 23 (JB)	8W-10-22
Coil On Plug No. 1	8W-10-21	Fuse 24 (JB)	8W-10-22
Coil On Plug No. 2	8W-10-21	Fuse 24 (PDC)	8W-10-13, 14, 31
Coil On Plug No. 3	8W-10-21	Fuse 25 (JB)	8W-10-22
Coil On Plug No. 4	8W-10-21	Fuse 25 (PDC)	8W-10-13, 14, 31
Coil On Plug No. 5	8W-10-21	Fuse 26 (JB)	8W-10-15
Coil On Plug No. 6	8W-10-21	Fuse 26 (PDC)	8W-10-19, 23
Coil On Plug No. 7	8W-10-21	Fuse 27 (JB)	8W-10-22
Coil On Plug No. 8	8W-10-21	Fuse 28 (JB)	8W-10-27
Controller Anti-Lock Brake	8W-10-17, 18, 31	Fuse 28 (PDC)	8W-10-17
Driver Door Module	8W-10-28	Fuse 29 (JB)	8W-10-27
EGR Solenoid	8W-10-24	Fuse 30 (JB)	8W-10-27
Engine Control Module	8W-10-23	Fuse 31 (JB)	8W-10-26
Engine Starter Motor	8W-10-25	Fuse 32 (JB)	8W-10-27
Engine Starter Motor Relay	8W-10-25	Fuse 33 (JB)	8W-10-26
Fog Lamp Relay	8W-10-22	Fusible Link	8W-10-11, 12
Fuel Heater	8W-10-23	G200	8W-10-25
Fuel Heater Relay	8W-10-23	Generator	8W-10-11, 12
Fuel Injector No. 1	8W-10-20	Glow Plug No. 1	8W-10-18
Fuel Injector No. 2	8W-10-20	Glow Plug No. 2	8W-10-18
Fuel Injector No. 3	8W-10-20	Glow Plug No. 3	8W-10-18
Fuel Injector No. 4	8W-10-20	Glow Plug No. 4	8W-10-18
Fuel Injector No. 5	8W-10-20	Glow Plug No. 5	8W-10-18
Fuel Injector No. 6	8W-10-20	Glow Plug Relay No. 1	8W-10-18, 24
Fuel Injector No. 7	8W-10-20	Glow Plug Relay No. 2	8W-10-18, 24
Fuel Injector No. 8	8W-10-20	High Beam Relay	8W-10-16
Fuel Pump Module	8W-10-23, 31	Horn No. 1	8W-10-30
Fuel Pump Relay	8W-10-31	Horn No. 2	8W-10-30
Fuse 1 (PDC)	8W-10-11, 12, 15	Horn Relay	8W-10-30
Fuse 2 (PDC)	8W-10-11, 12, 15	Ignition Switch	8W-10-25, 26, 27
Fuse 3 (JB)	8W-10-16	Junction Block	8W-10-15, 16, 22, 26, 27, 28
Fuse 3 (PDC)	8W-10-11, 12, 16	Low Beam Relay	8W-10-16
Fuse 4 (PDC)	8W-10-11, 12, 17, 18	Low Beam/Daytime Running Lamp Relay	8W-10-16
Fuse 5 (JB)	8W-10-28	Oxygen Sensor 1/1 Upstream	8W-10-19, 29
Fuse 5 (PDC)	8W-10-11, 17	Oxygen Sensor 1/2 Downstream	8W-10-19, 29
Fuse 6 (JB)	8W-10-16	Oxygen Sensor 2/1 Upstream	8W-10-29
Fuse 6 (PDC)	8W-10-11, 12, 18, 19	Oxygen Sensor 2/2 Downstream	8W-10-29
Fuse 7 (JB)	8W-10-28	Oxygen Sensor Downstream Relay	8W-10-29
Fuse 7 (PDC)	8W-10-11, 12, 22	Oxygen Sensor Upstream Relay	8W-10-29
Fuse 8 (JB)	8W-10-28	Park Lamp Relay	8W-10-16
Fuse 8 (PDC)	8W-10-11, 12, 25	Passenger Door Module	8W-10-28
Fuse 9 (JB)	8W-10-28	Power Distribution Center	8W-10-2, 3, 11, 12, 13, 14, 15, 16, 17, 18, 19, 22, 23, 25, 28, 29, 30, 31
Fuse 9 (PDC)	8W-10-12, 23	Radiator Fan Relay	8W-10-22
Fuse 10 (PDC)	8W-10-11, 12, 22	Rail Coil	8W-10-19
Fuse 11 (JB)	8W-10-15	Rear Fog Lamp Relay	8W-10-22
Fuse 11 (PDC)	8W-10-12, 18	Rear Window Defogger	8W-10-15
Fuse 12 (JB)	8W-10-27	Rear Window Defogger Relay	8W-10-15
Fuse 12 (PDC)	8W-10-11, 12, 28	Sunroof Delay Relay	8W-10-22
Fuse 13 (PDC)	8W-10-14, 23	Trailer Tow Circuit Breaker	8W-10-15
Fuse 14 (JB)	8W-10-16	Transmission Control Module	8W-10-17
Fuse 14 (PDC)	8W-10-11, 14, 25	Transmission Control Relay	8W-10-17, 31
Fuse 15 (JB)	8W-10-16	Transmission Solenoid	8W-10-17, 31
Fuse 15 (PDC)	8W-10-13, 14, 28	Transmission Solenoid/TRS Assembly	8W-10-17
Fuse 16 (JB)	8W-10-16		

POWER DISTRIBUTION CENTER



POWER DISTRIBUTION CENTER



FUSES

FUSE NO.	AMPS	FUSED CIRCUIT	FUNCTION
1	40A	C1 12DG	FUSED B(+)
2	40A	A149 12RD/TN	FUSED B(+)
3	50A	A145 10WT/RD	FUSED B(+)
4	40A	A10 12RD/DG	FUSED B(+)
5	30A	A30 14RD/WT	FUSED B(+)
		A30 14RD/WT	
6	30A	A14 14RD/DG	FUSED B(+)
7	50A	A147 10RD/GY	FUSED B(+)
8	40A	A1 12RD	FUSED B(+)
9	-	-	-
10	40A	A16 12GY	FUSED B(+)
11	-	-	-
12	50A	A146 10OR/WT	FUSED B(+)
13	-	-	-
14	40A	A2 12PK/BK	FUSED B(+)
15	50A	A148 10PK/WT	FUSED B(+)
16	10A	F142 18OR/DG	FUSED AUTOMATIC SHUT DOWN RELAY OUTPUT
17 •	20A	A42 18DG	FUSED B(+)
		A42 18DG	
18	15A	F62 18RD	FUSED B(+)
		F62 18RD	
19	10A	A7 14RD/BK	FUSED B(+)
20	-	-	-
21	15A	A17 18RD/BK	FUSED B(+)
22	-	-	-
23	-	-	-
24	20A	A62 16VT/WT	FUSED B(+)
25	20A	A20 12RD/DB	FUSED B(+)
26	15A	F42 18DG/LG	FUSED AUTOMATIC SHUT DOWN RELAY OUTPUT
		F42 18DG/LG	
27	-	-	-
28	15A	T60 18BR	FUSED TRANSMISSION CONTROL RELAY OUTPUT

• CALIFORNIA

FUSES

FUSE NO.	AMPS	FUSED CIRCUIT	FUNCTION
1	40A	C1 12DG	FUSED B(+)
2	40A	A149 12RD/TN	FUSED B(+)
3	50A	A145 10WT/RD	FUSED B(+)
4	40A	A10 12RD/DG	FUSED B(+)
5	-	-	-
6	50A	A105 10DB/RD	FUSED B(+)
7	50A	A147 10RD/GY	FUSED B(+)
8	40A	A1 12RD	FUSED B(+)
9	20A	A12 16TN/RD	FUSED B(+)
10	40A	A16 12GY	FUSED B(+)
11	50A	A110 10VT/RD	FUSED B(+)
12	50A	A146 10OR/WT	FUSED B(+)
13	30A	A14 14RD/WT	FUSED B(+)
14	40A	A2 12PK/BK	FUSED B(+)
15	50A	A148 10PK/WT	FUSED B(+)
16	10A	F15 18DB/WT	FUSED AUTOMATIC SHUT DOWN RELAY OUTPUT
17	-	-	-
18	15A	F62 18RD	FUSED B(+)
		F62 18RD	
19	-	-	-
20	-	-	-
21	15A	A17 18RD/BK	FUSED B(+)
22	-	-	-
23	-	-	-
24	15A	A14 16RD/WT	FUSED B(+)
		A14 16RD/WT	
25	20A	A20 12RD/DB	FUSED B(+)
26	15A	F42 18DG/LG	FUSED AUTOMATIC SHUT DOWN RELAY OUTPUT
27	-	-	-
28	-	-	-

RELAYS

A/C
COMPRESSOR
CLUTCH
RELAY

CAVITY	CIRCUIT	FUNCTION
30	A17 18RD/BK	FUSED B(+)
85	F99 20OR ●	FUSED IGNITION SWITCH OUTPUT (ST-RUN)
	F15 20DB/WT ▲	FUSED AUTOMATIC SHUT DOWN RELAY OUTPUT
	F15 18DB/WT ▲	FUSED AUTOMATIC SHUT DOWN RELAY OUTPUT
86	C13 18DB/OR	A/C COMPRESSOR CLUTCH RELAY CONTROL
87	C2 18DB/YL	A/C COMPRESSOR CLUTCH RELAY OUTPUT
87A	-	-

AUTOMATIC
SHUT DOWN
RELAY

CAVITY	CIRCUIT	FUNCTION
30	A14 14RD/WT ▲	FUSED B(+)
30	A14 14RD/DG ●	FUSED B(+)
85	A14 14RD/WT ▲	FUSED B(+)
	A14 14RD/WT ▲	FUSED B(+)
	F991 20OR/DB ●	FUSED IGNITION SWITCH OUTPUT (ST-RUN)
	F991 20OR/DB ●	FUSED IGNITION SWITCH OUTPUT (ST-RUN)
86	K51 18DB/YL	AUTOMATIC SHUT DOWN RELAY CONTROL
87	A142 14DG/OR	AUTOMATIC SHUT DOWN RELAY OUTPUT
87A	-	-

ENGINE
STARTER
MOTOR
RELAY

CAVITY	CIRCUIT	FUNCTION
30	A1 12RD	FUSED B(+)
85	F45 20YL/RD ●	FUSED IGNITION SWITCH OUTPUT (ST)
	F45 20YL/RD	FUSED IGNITION SWITCH OUTPUT (ST)
86	T24 20BR/YL	ENGINE STARTER MOTOR RELAY CONTROL
87	T40 12LG	ENGINE STARTER MOTOR RELAY OUTPUT
87A	-	-

- ▲ DIESEL
- GAS

**FUEL
HEATER
RELAY
(DIESEL)**

CAVITY	CIRCUIT	FUNCTION
30	A12 16TN/RD	FUSED B(+)
85	F99 20OR	FUSED IGNITION SWITCH OUTPUT (ST-RUN)
	F99 20OR	FUSED IGNITION SWITCH OUTPUT (ST-RUN)
86	Z1 20BK	GROUND
87	A93 14RD/BK	FUEL HEATER RELAY OUTPUT
87A	-	-

**FUEL
PUMP
RELAY
(GAS)**

CAVITY	CIRCUIT	FUNCTION
30	A62 16VT/WT	FUSED B(+)
85	F991 20OR/DB	FUSED IGNITION SWITCH OUTPUT (ST-RUN)
	F991 20OR/DB	FUSED IGNITION SWITCH OUTPUT (ST-RUN)
86	K31 18BR	FUEL PUMP RELAY CONTROL
87	A141 16DG/BK	FUEL PUMP RELAY OUTPUT
87A	-	-

**GLOW PLUG
RELAY NO. 1
(DIESEL)**

CAVITY	CIRCUIT	FUNCTION
30	A105 10DB/RD	FUSED B(+)
85	F15 20DB/WT	FUSED AUTOMATIC SHUT DOWN RELAY OUTPUT
	F15 20DB/WT	FUSED AUTOMATIC SHUT DOWN RELAY OUTPUT
86	K152 20WT	GLOW PLUG RELAY NO. 1 CONTROL
87	K154 10GY	GLOW PLUG RELAY NO. 1 OUTPUT
87A	-	-

**GLOW PLUG
RELAY NO. 2
(DIESEL)**

CAVITY	CIRCUIT	FUNCTION
30	A110 10VT/RD	FUSED B(+)
85	F15 20DB/WT	FUSED AUTOMATIC SHUT DOWN RELAY OUTPUT
	F15 20DB/WT	FUSED AUTOMATIC SHUT DOWN RELAY OUTPUT
86	K252 20LB/WT	GLOW PLUG RELAY NO. 2 CONTROL
87	K254 10GY/YL	GLOW PLUG RELAY NO. 2 OUTPUT
87A	-	-

**HORN
RELAY**

CAVITY	CIRCUIT	FUNCTION
30	F62 18RD	FUSED B(+)
85	F62 18RD	FUSED B(+)
86	X4 20GY/OR	HORN RELAY CONTROL
87	X2 18DG/RD •	HORN RELAY OUTPUT
	X2 18DG/RD	HORN RELAY OUTPUT
87A	-	-

**OXYGEN
SENSOR
DOWNSTREAM
RELAY
(CALIFORNIA)**

CAVITY	CIRCUIT	FUNCTION
30	A42 18DG	FUSED B(+)
85	F99 20OR	FUSED IGNITION SWITCH OUTPUT (ST-RUN)
86	K251 18LB	OXYGEN SENSOR DOWNSTREAM RELAY CONTROL
87	K200 18VT/OR	OXYGEN SENSOR DOWNSTREAM RELAY OUTPUT
87A	-	-

**OXYGEN
SENSOR
UPSTREAM
RELAY
(CALIFORNIA)**

CAVITY	CIRCUIT	FUNCTION
30	A42 18DG	FUSED B(+)
85	F99 20OR	FUSED IGNITION SWITCH OUTPUT (ST-RUN)
86	K151 18GY	OXYGEN SENSOR UPSTREAM RELAY CONTROL
87	K100 18VT/WT	OXYGEN SENSOR UPSTREAM RELAY OUTPUT
87A	-	-

• GAS

**TRANSMISSION
CONTROL
RELAY
(DIESEL)**

CAVITY	CIRCUIT	FUNCTION
30	A14 16RD/WT	FUSED B(+)
85	K125 18WT/DB	GENERATOR SOURCE
	K125 18WT/DB	GENERATOR SOURCE
86	K30 20PK/YL	TRANSMISSION CONTROL RELAY CONTROL
87	T60 18BR	TRANSMISSION CONTROL RELAY OUTPUT
87A	-	-

**TRANSMISSION
CONTROL
RELAY
(GAS)**

CAVITY	CIRCUIT	FUNCTION
30	A30 14RD/WT	FUSED B(+)
85	K210 18BK/YL	● GROUND
		▲ GENERATOR SOURCE
86	K30 20PK/YL	TRANSMISSION CONTROL RELAY CONTROL
87	T16 14RD	TRANSMISSION CONTROL RELAY OUTPUT
	T16 14RD	TRANSMISSION CONTROL RELAY OUTPUT
87A	-	-

- 4.7L
- ▲ 4.0L

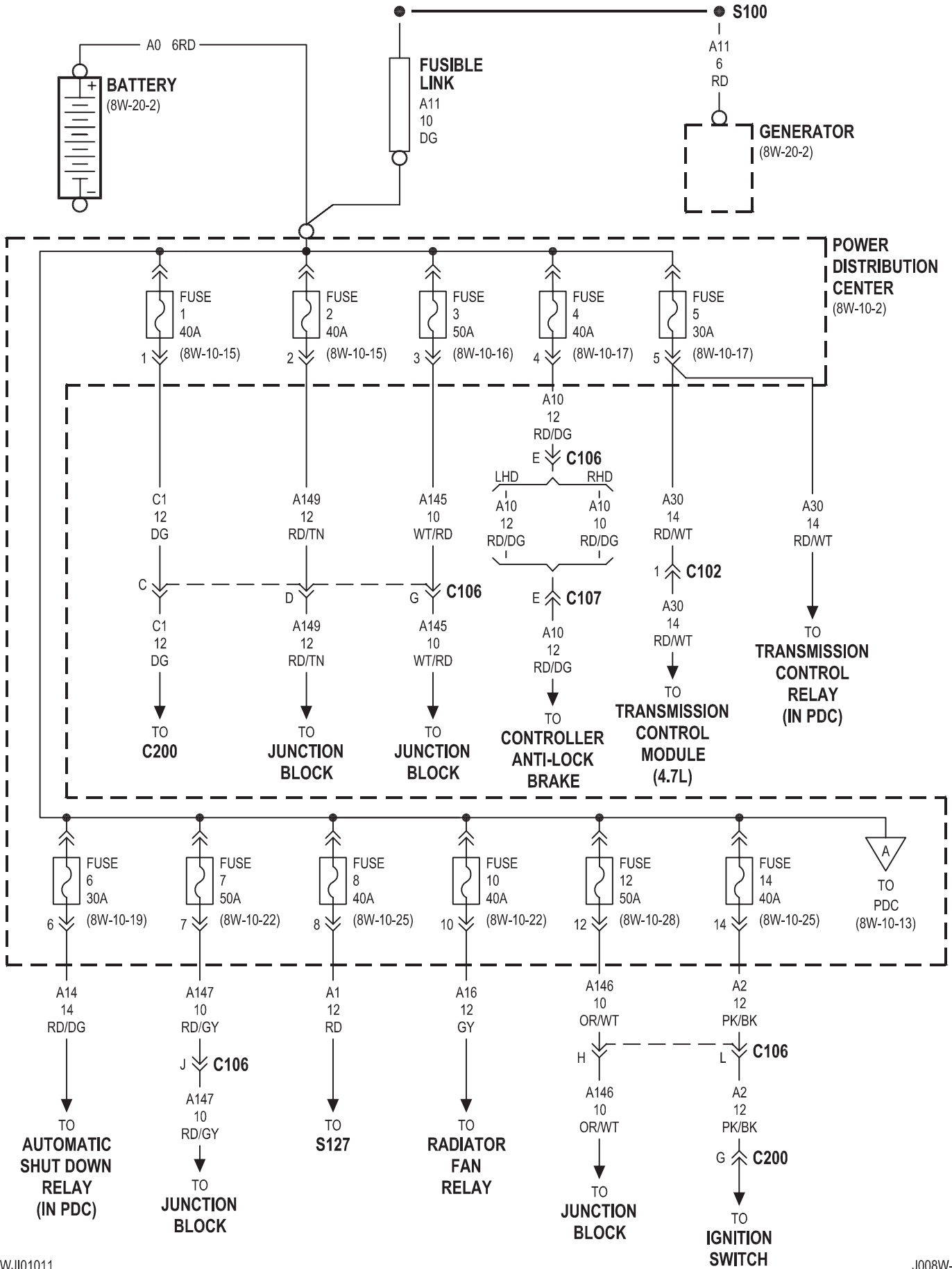
**WIPER
HIGH/LOW
RELAY**

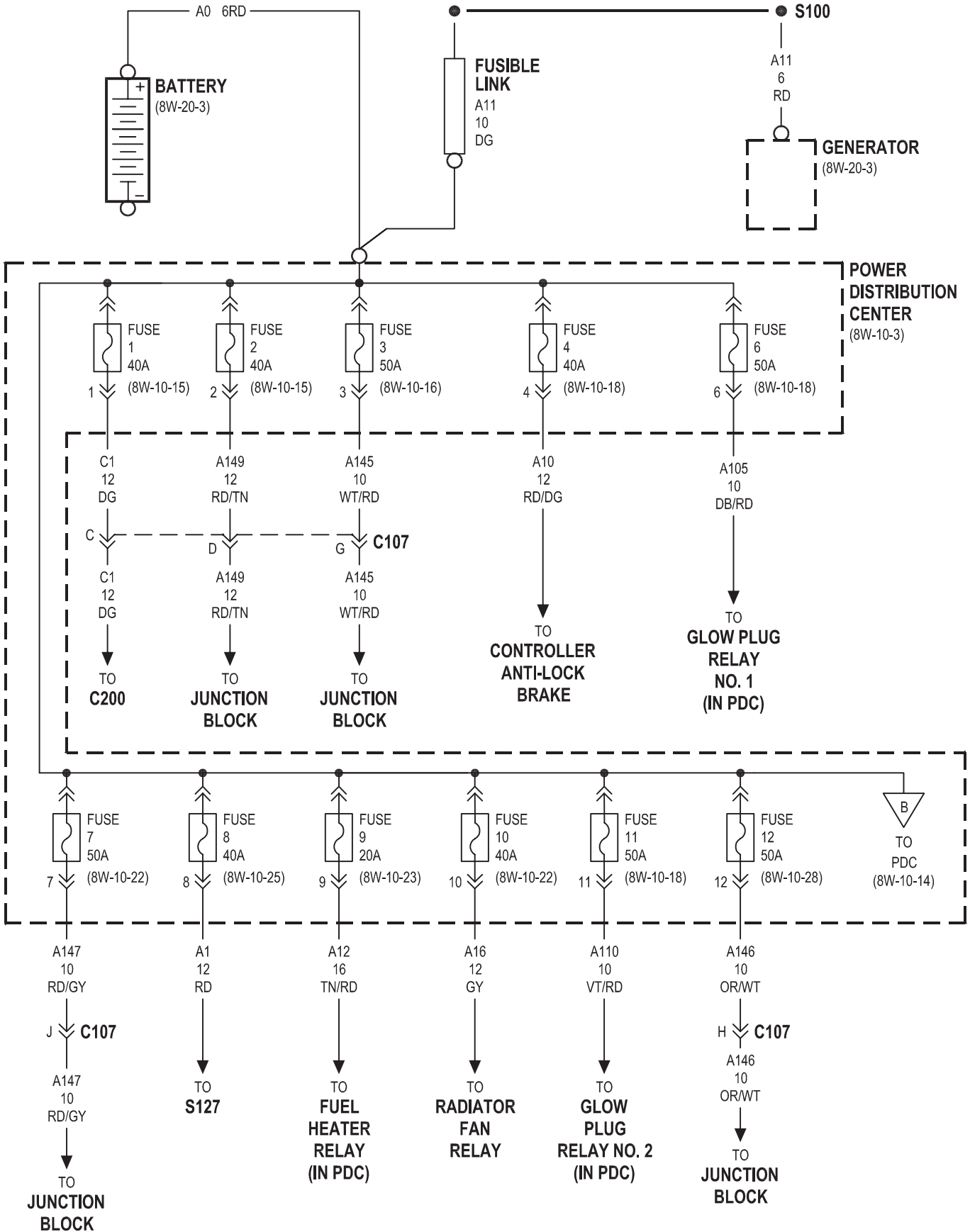
CAVITY	CIRCUIT	FUNCTION
30	V60 16YL/DG	WIPER ON/OFF RELAY OUTPUT
85	Z1 20BK	GROUND
86	V16 20VT	WIPER HIGH/LOW RELAY CONTROL
87	V4 16RD/YL	WIPER HIGH/LOW RELAY HIGH SPEED OUTPUT
87A	V3 16BR/WT	WIPER HIGH/LOW RELAY LOW SPEED OUTPUT

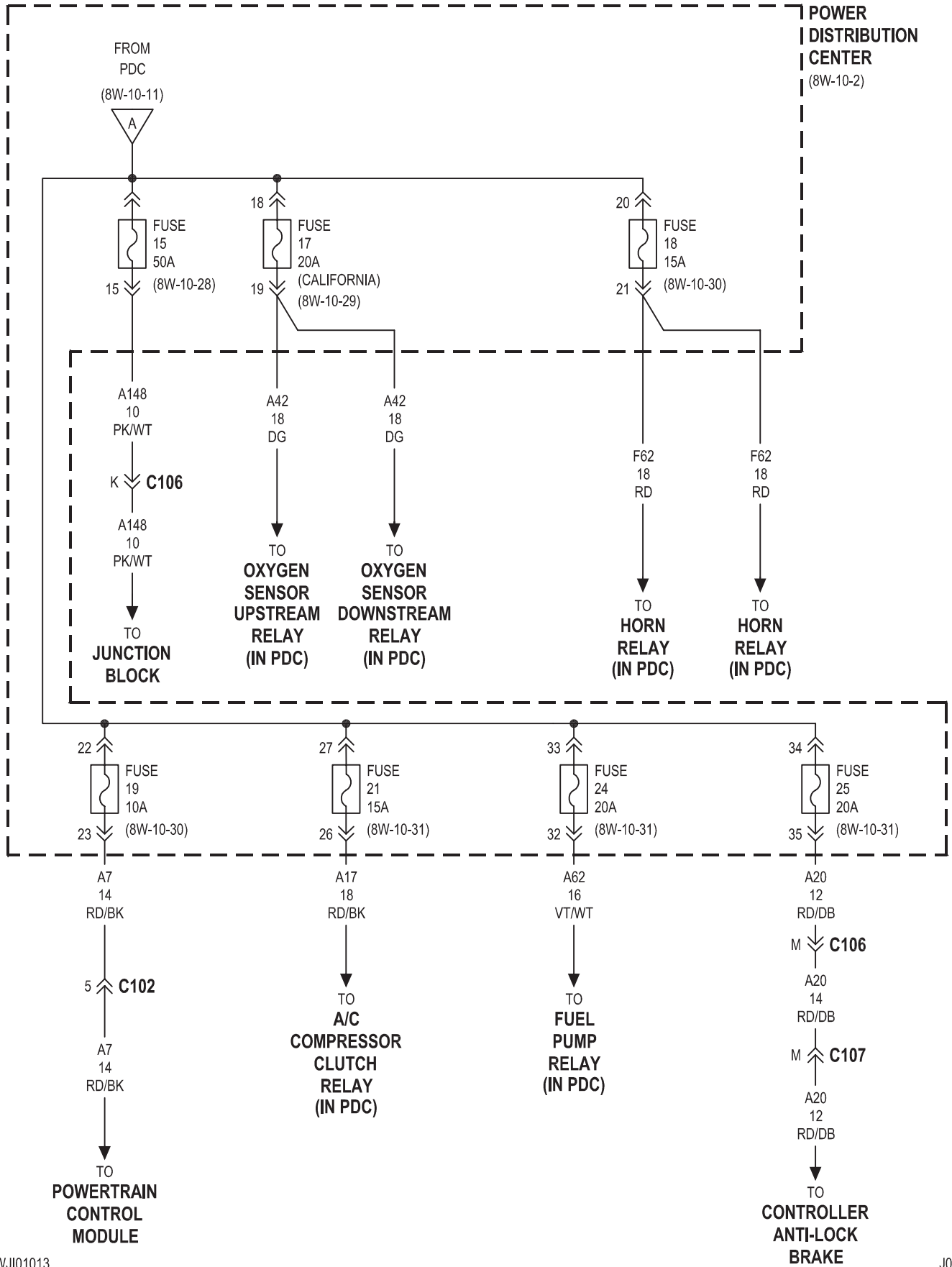
**WIPER
ON/OFF
RELAY**

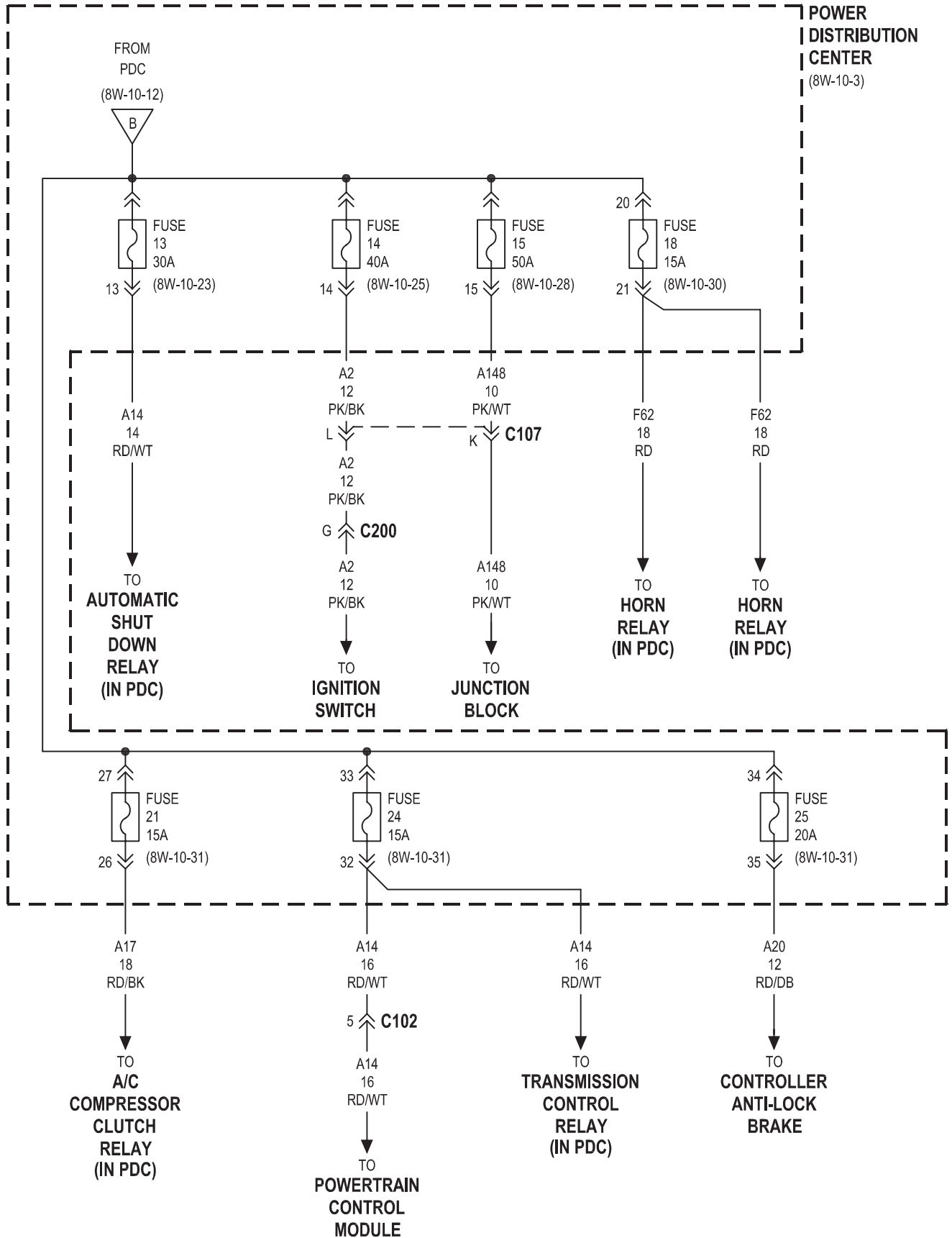
CAVITY	CIRCUIT	FUNCTION
30	V60 16YL/DG	WIPER ON/OFF RELAY OUTPUT
85	V14 20RD/VT	WIPER ON/OFF RELAY CONTROL
86	V6 16DB	FUSED IGNITION SWITCH OUTPUT (RUN-ACC)
	V6 16DB	FUSED IGNITION SWITCH OUTPUT (RUN-ACC)
87	V6 16DB	FUSED IGNITION SWITCH OUTPUT (RUN-ACC)
	V6 16DB •	FUSED IGNITION SWITCH OUTPUT (RUN-ACC)
87A	V55 16TN/RD	WIPER PARK SWITCH SENSE
	V55 16TN/RD •	WIPER PARK SWITCH SENSE

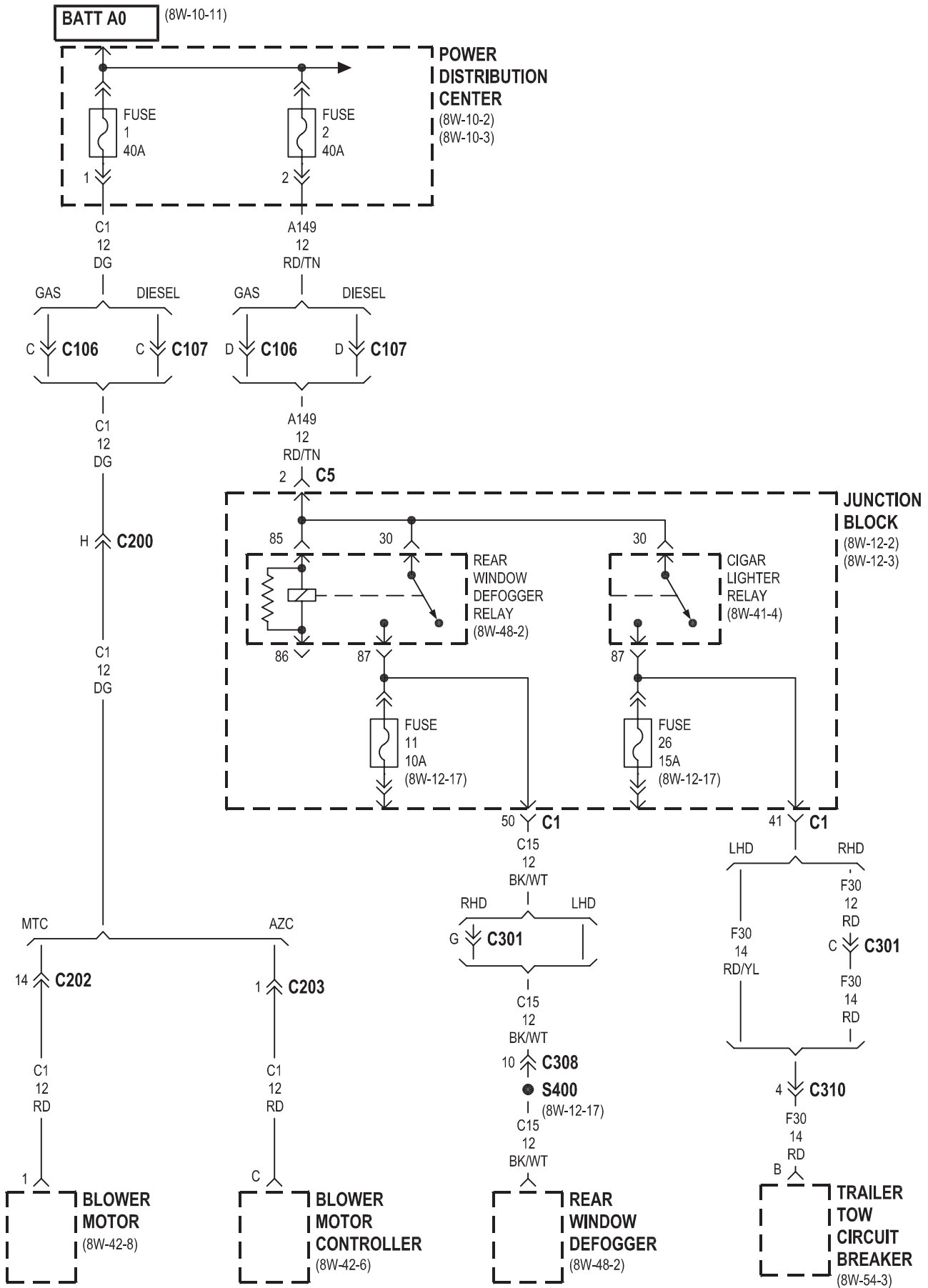
• DIESEL

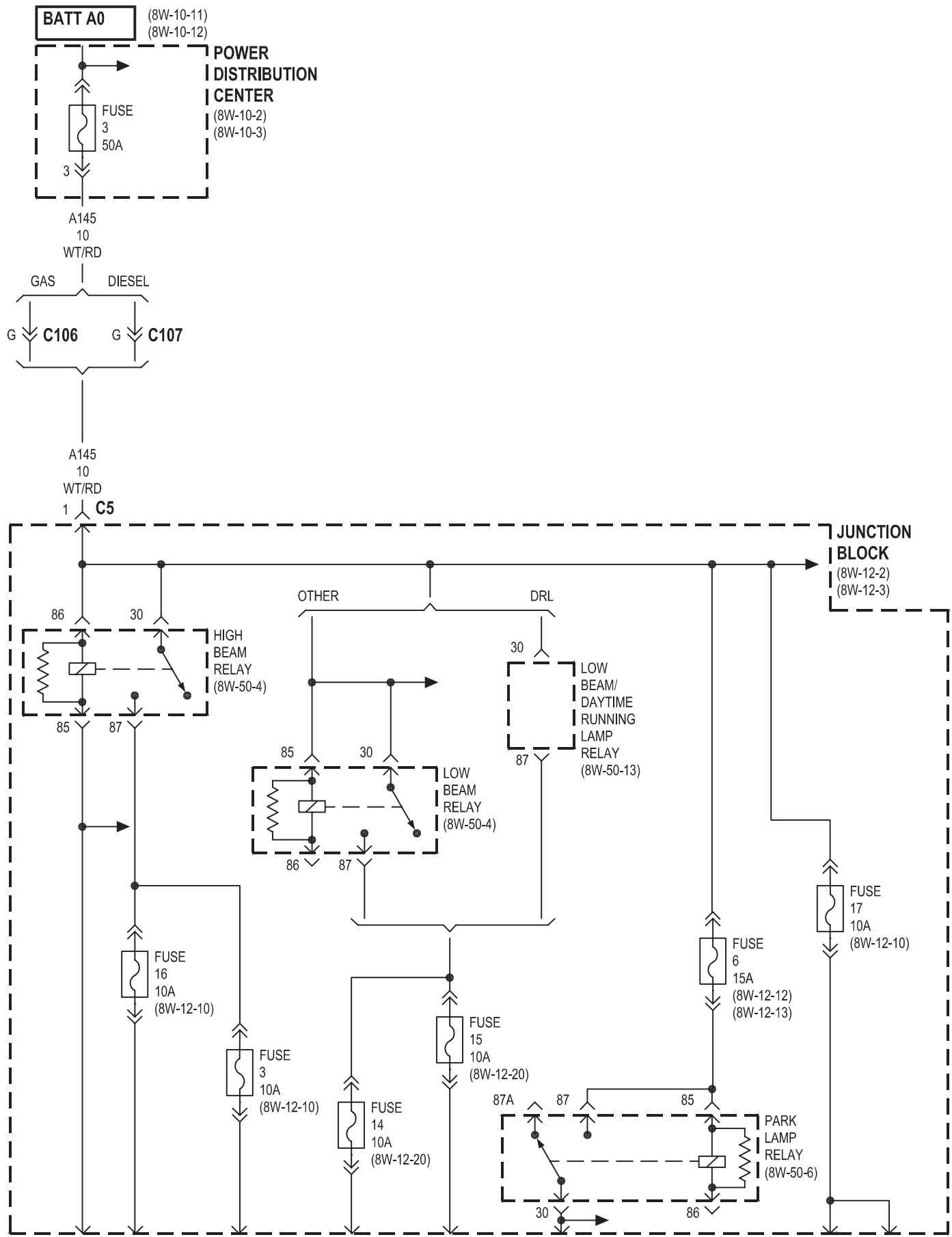


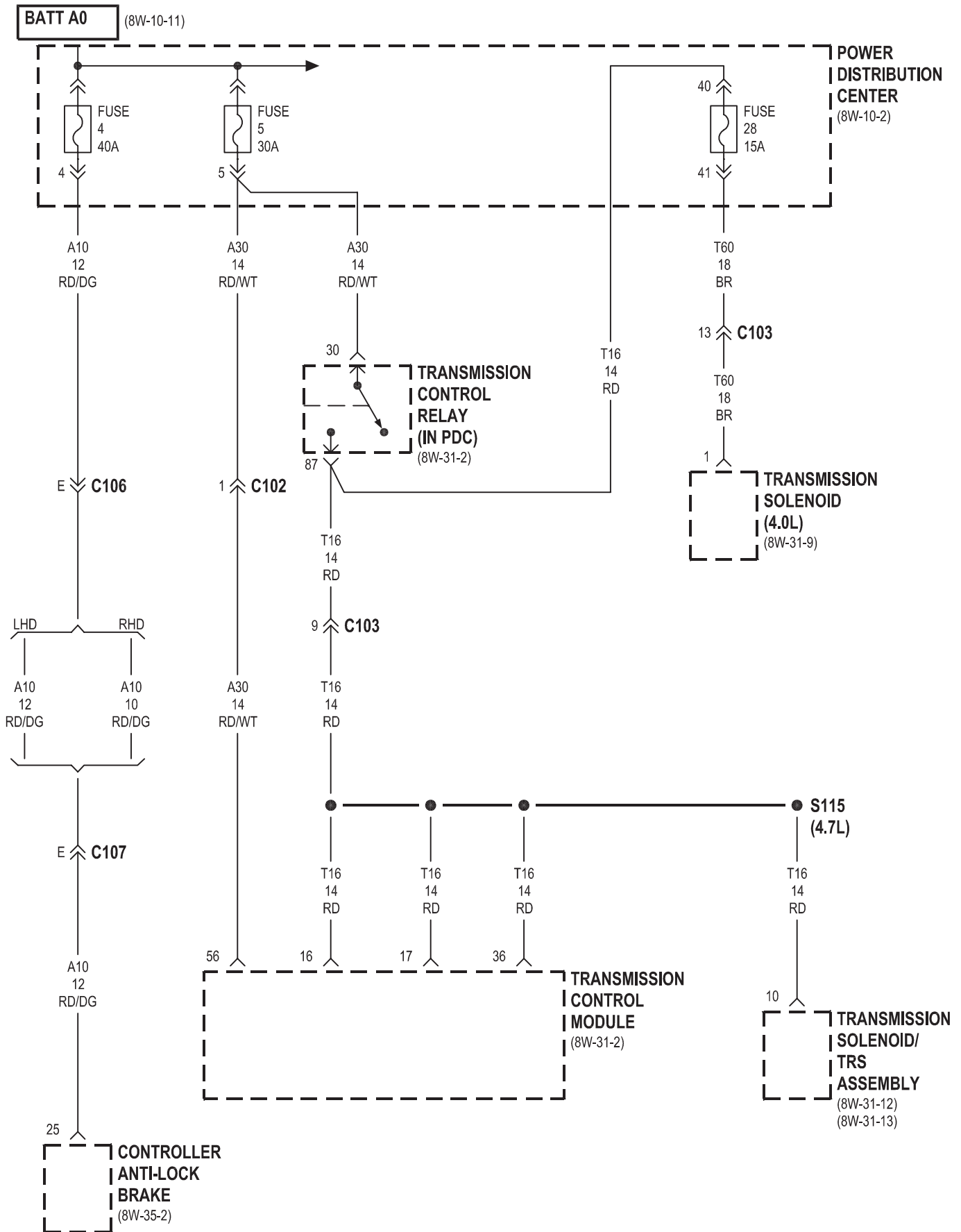


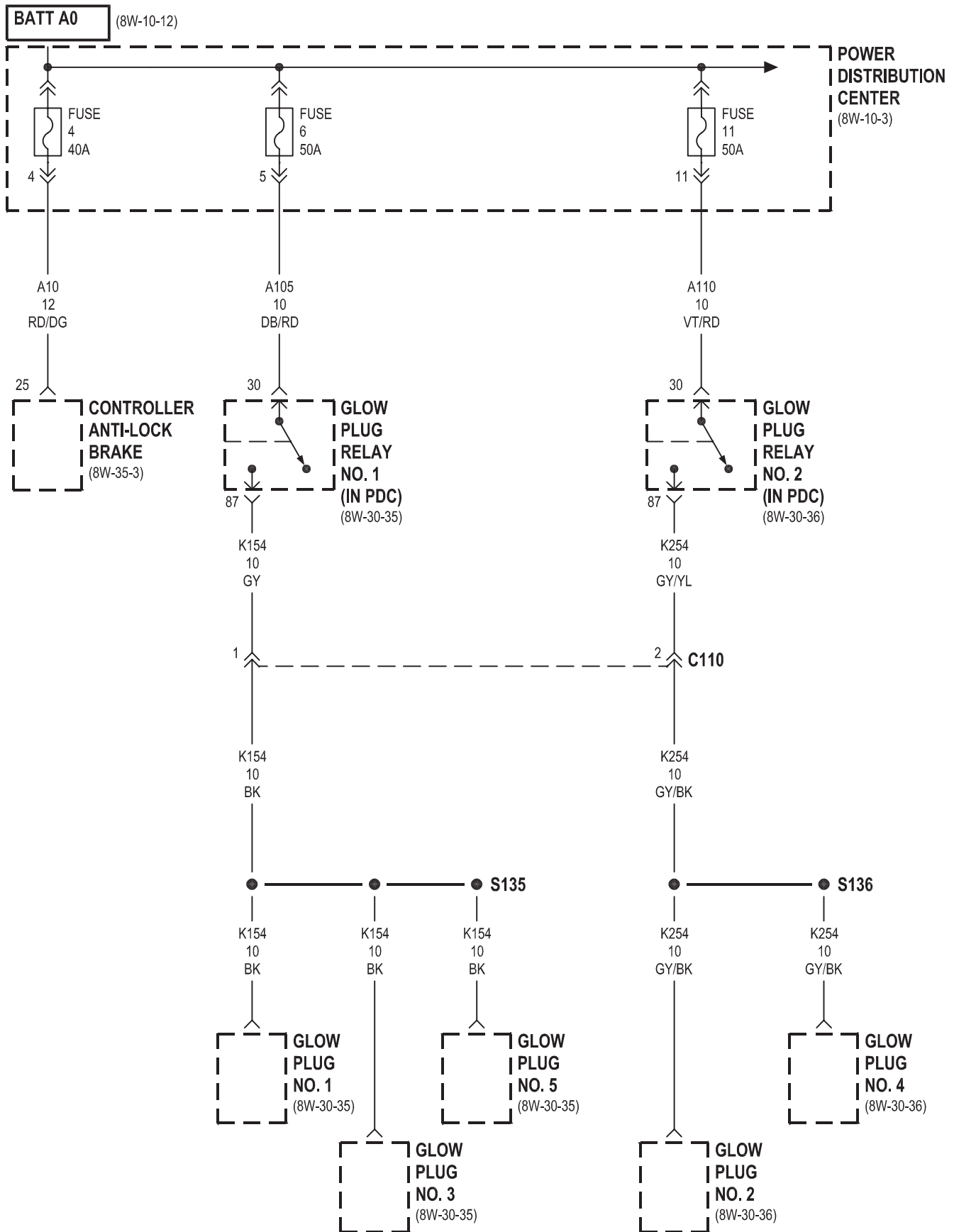


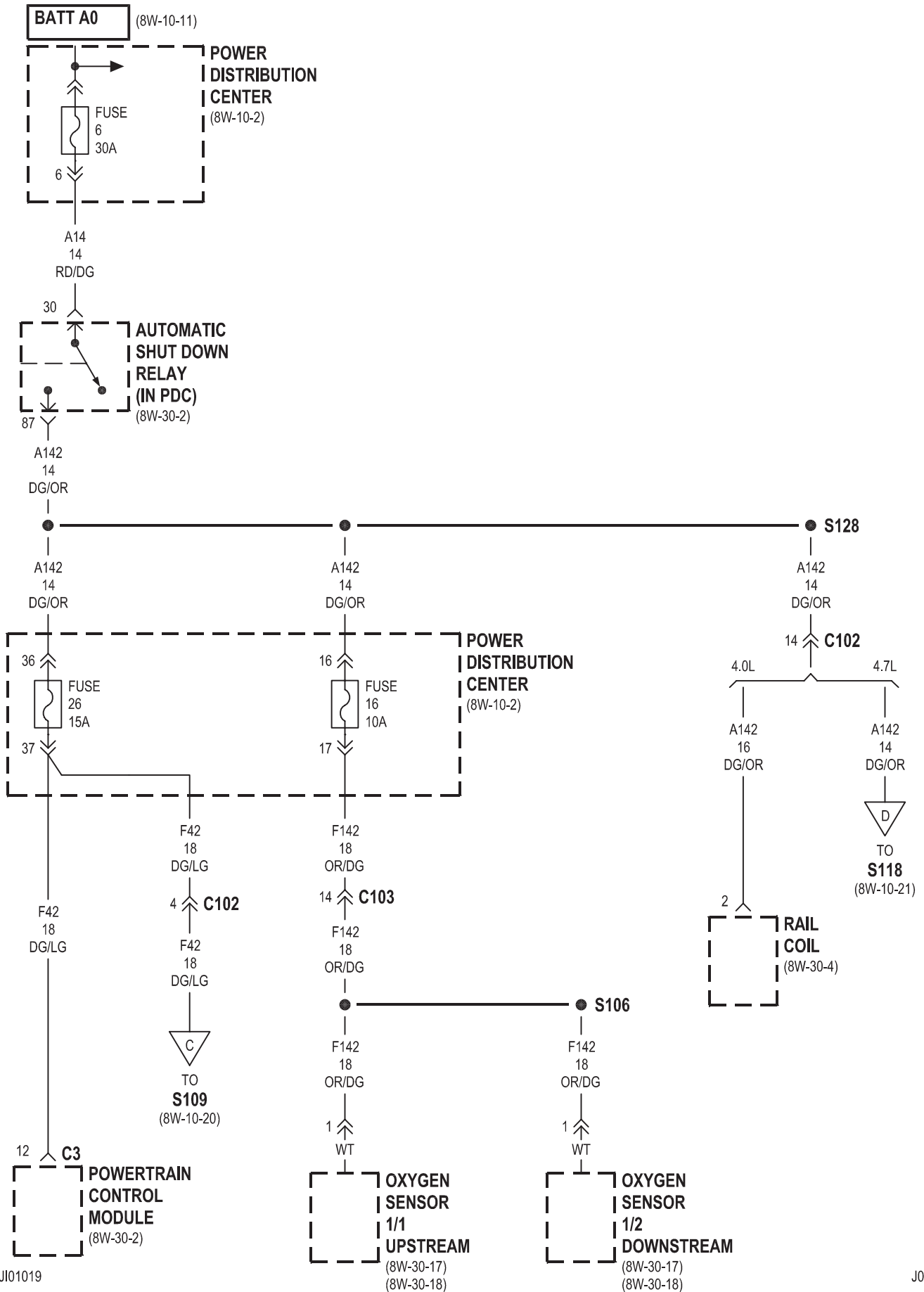


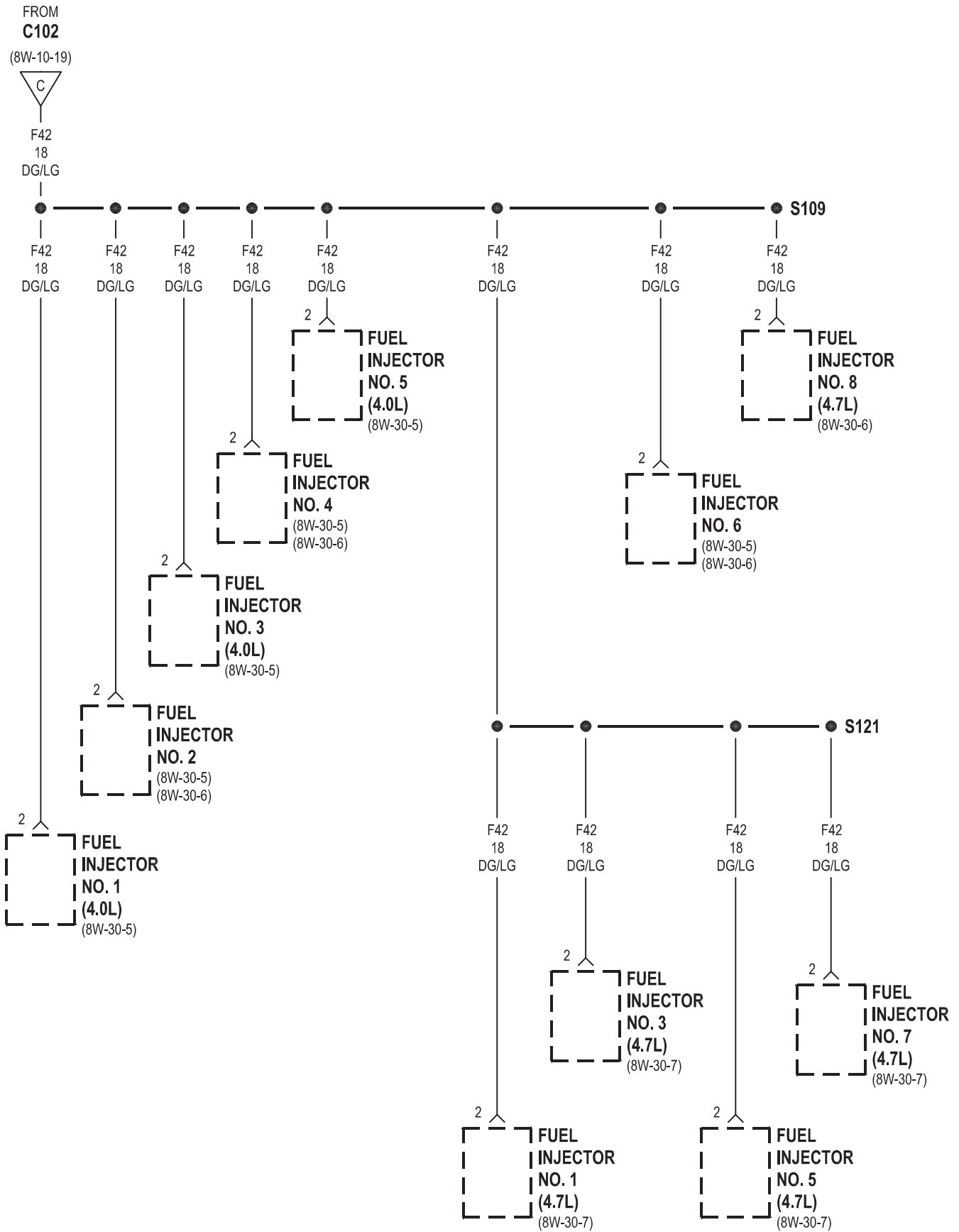


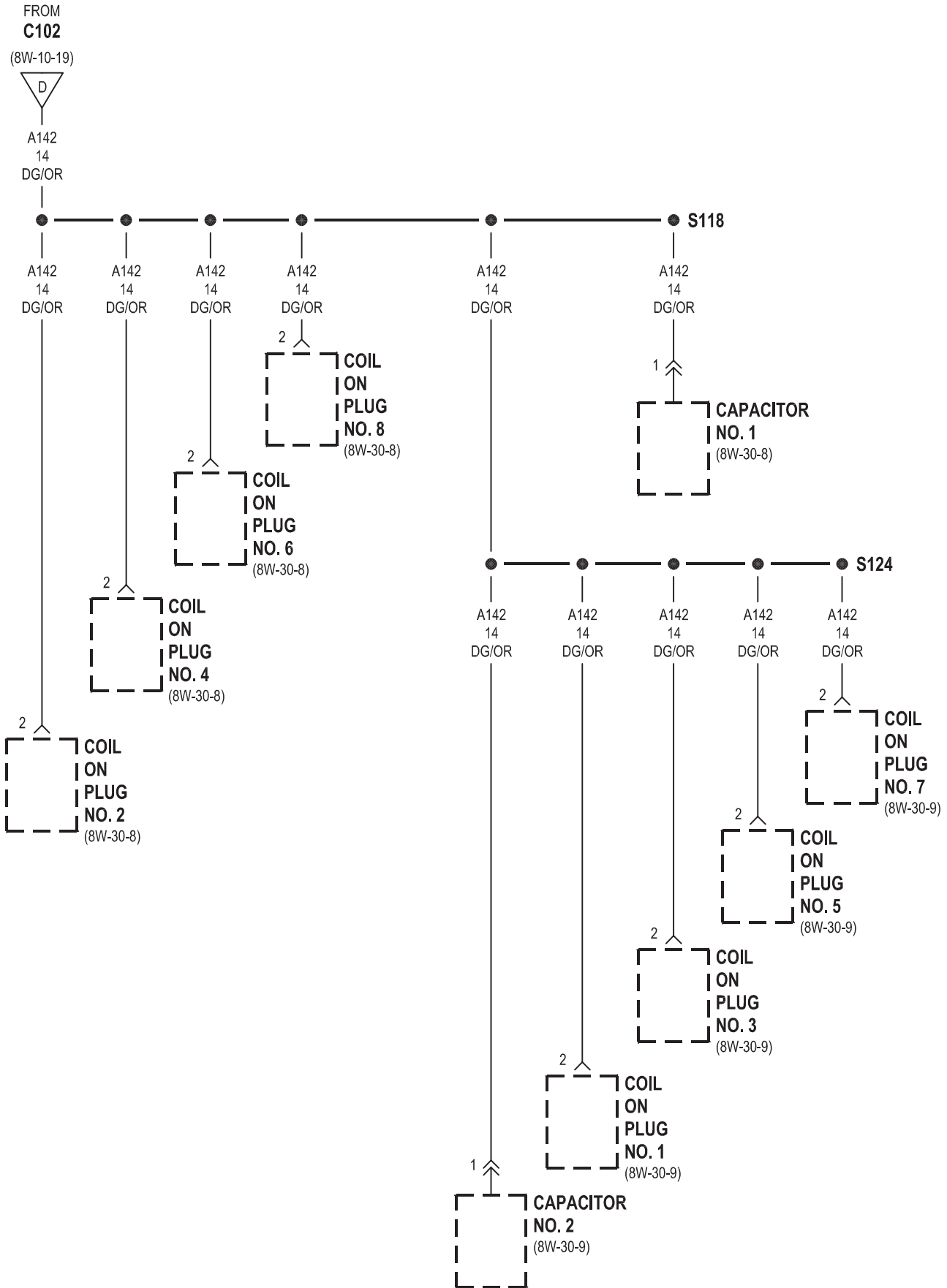


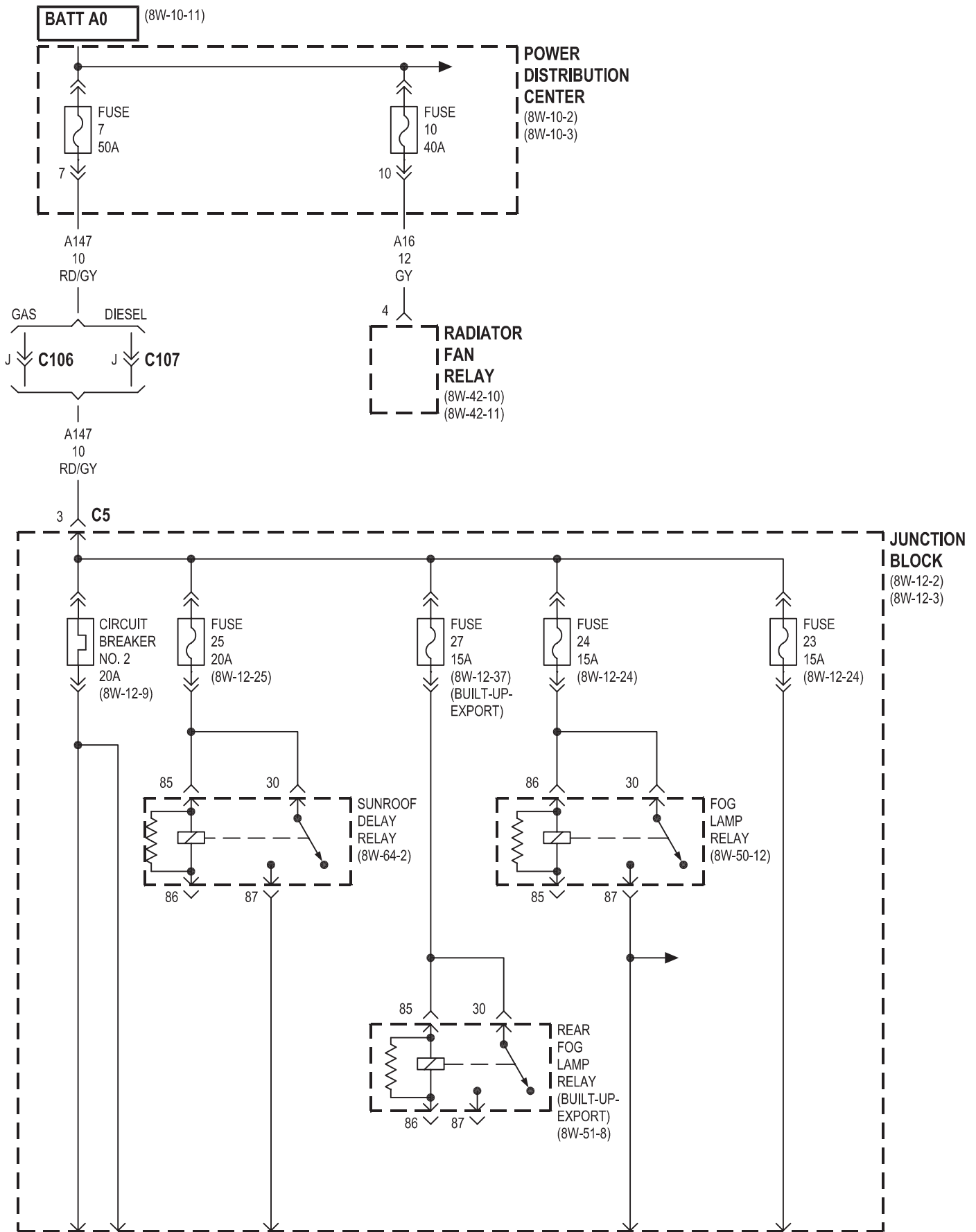


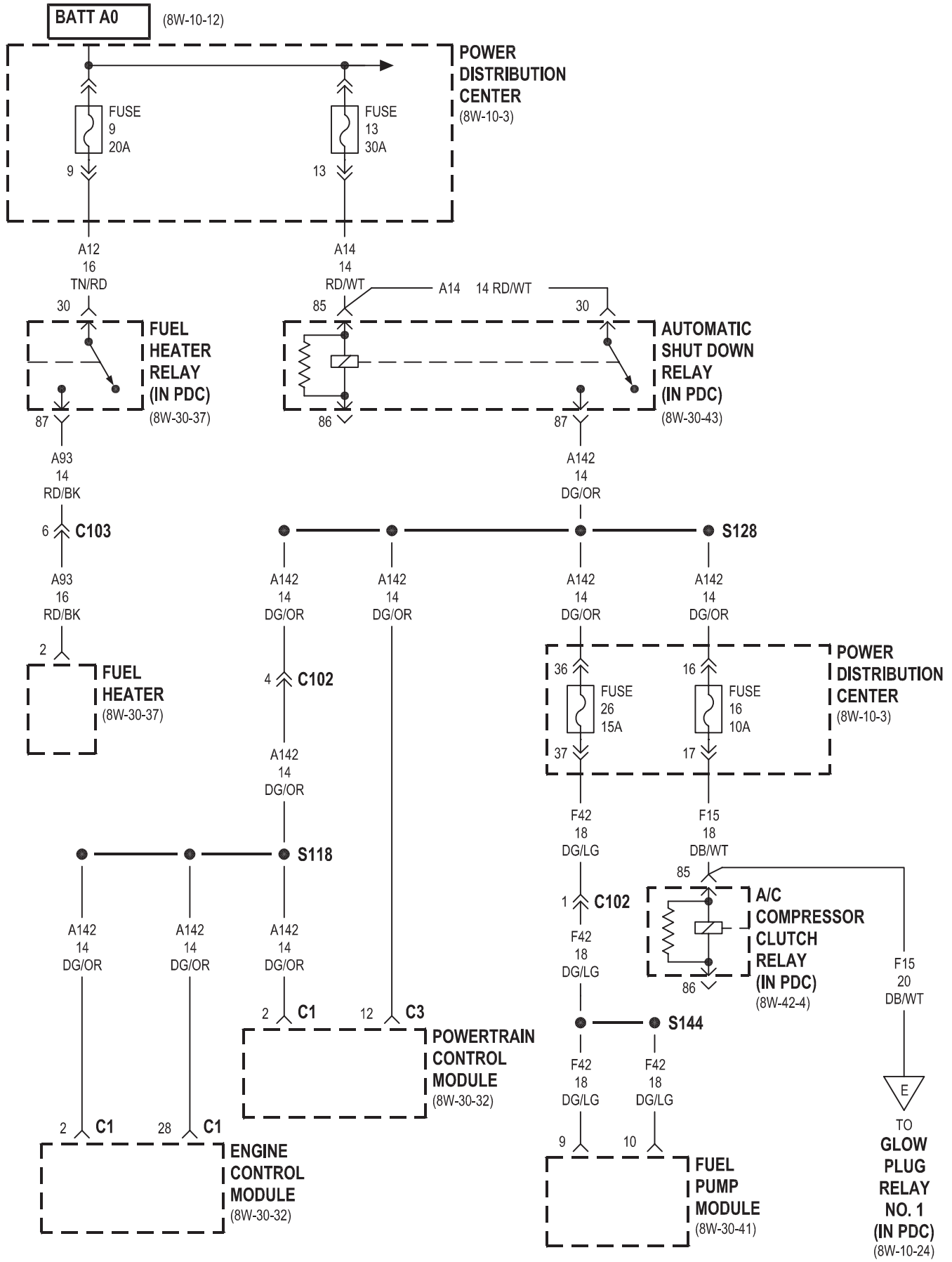








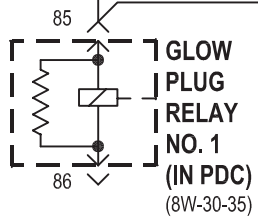




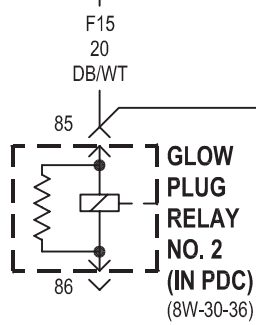
FROM
A/C
COMPRESSOR
CLUTCH
RELAY
(IN PDC)
(8W-10-23)



F15
20
DB/WT



GLOW
PLUG
RELAY
NO. 1
(IN PDC)
(8W-30-35)



GLOW
PLUG
RELAY
NO. 2
(IN PDC)
(8W-30-36)

F15
20
DB/WT



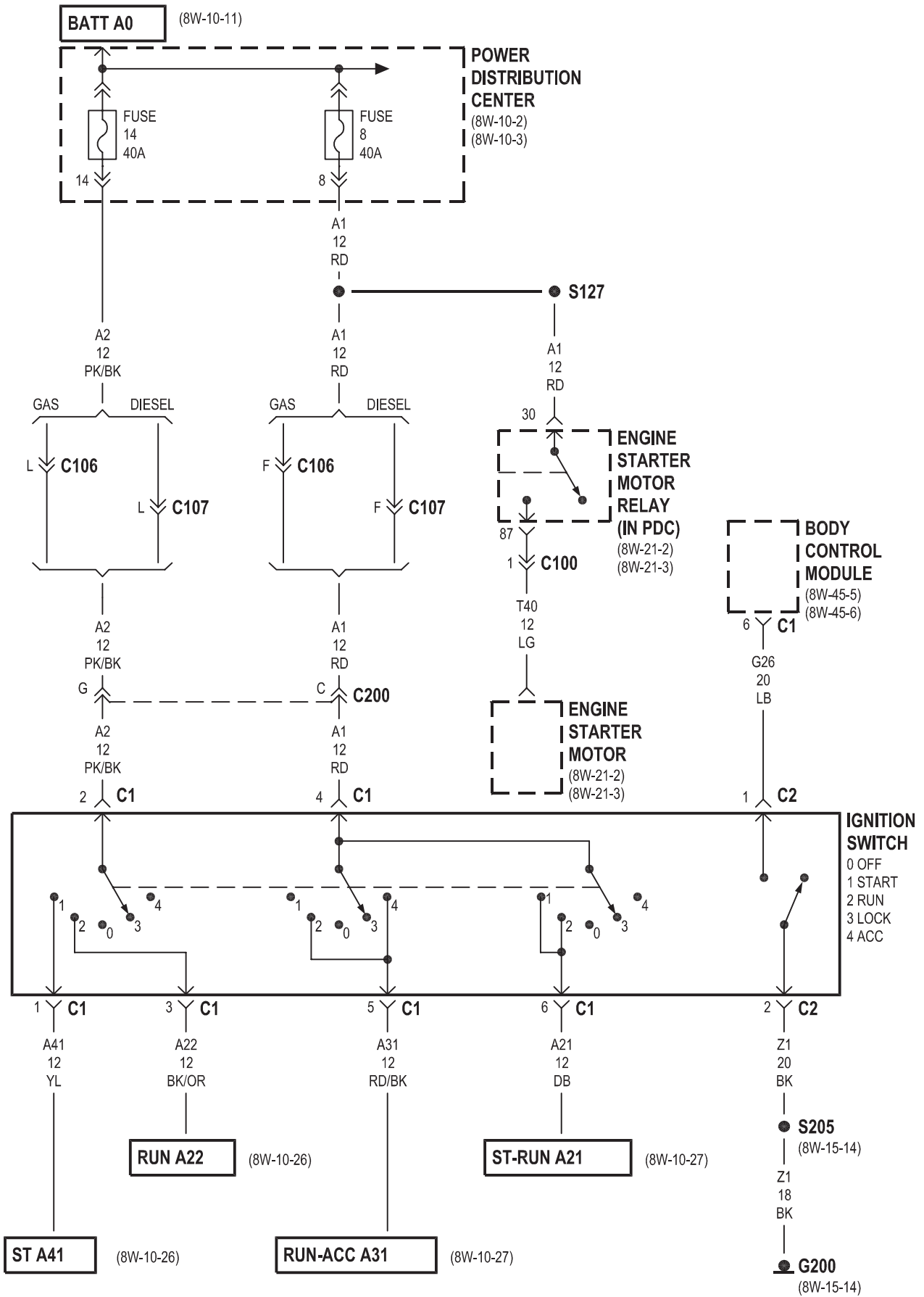
F15
20
DB/WT

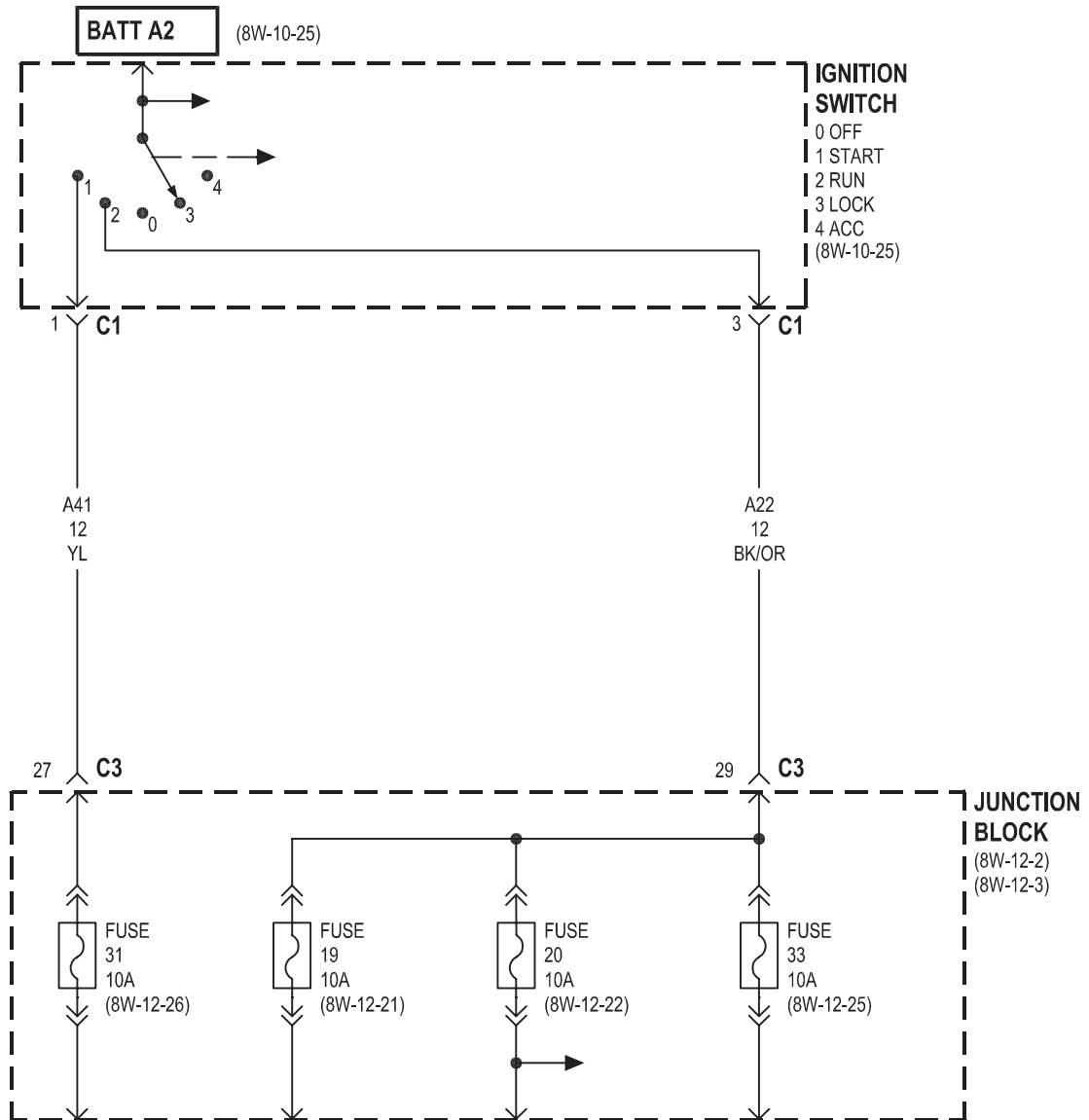


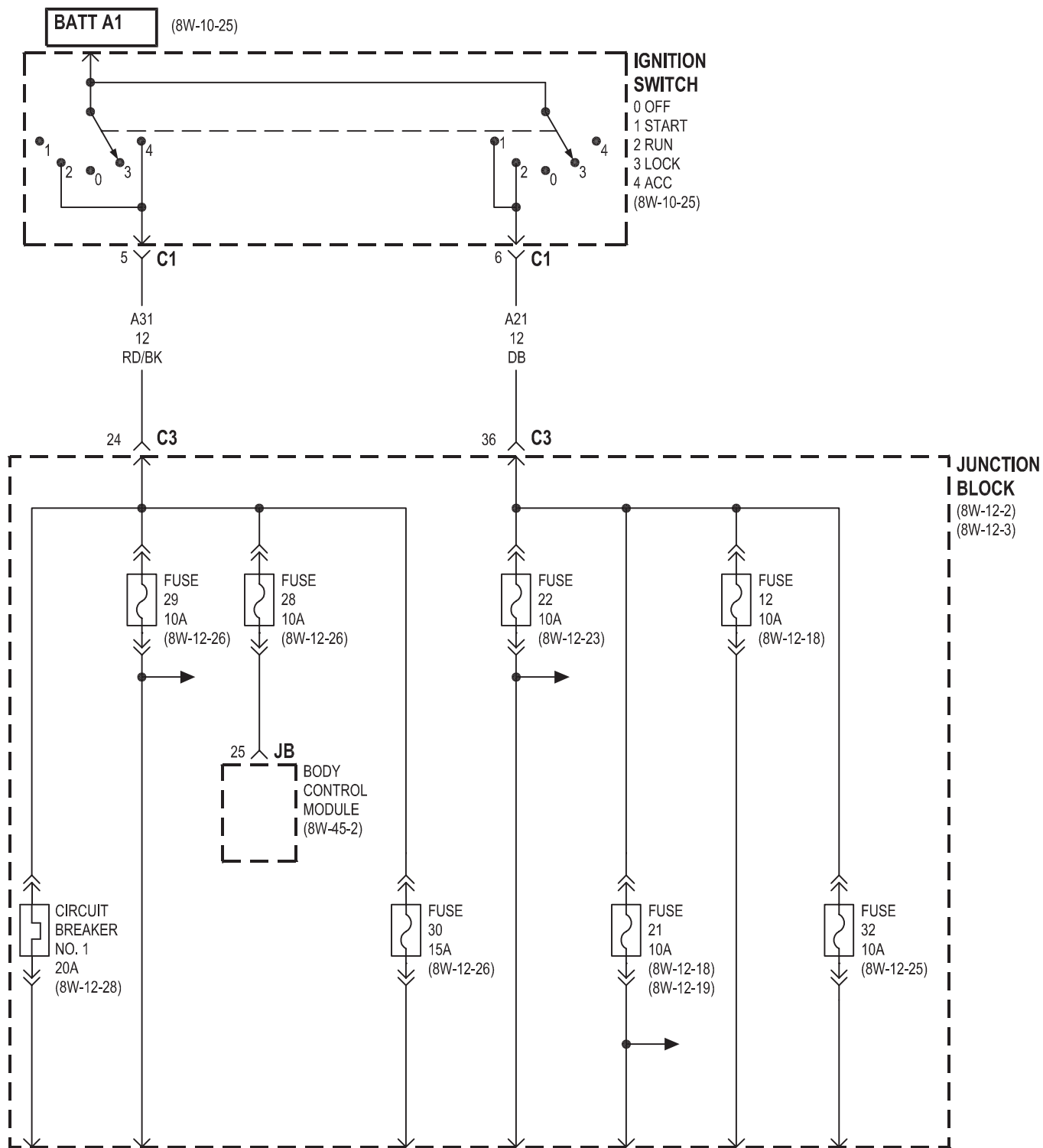
F15
18
DB/WT

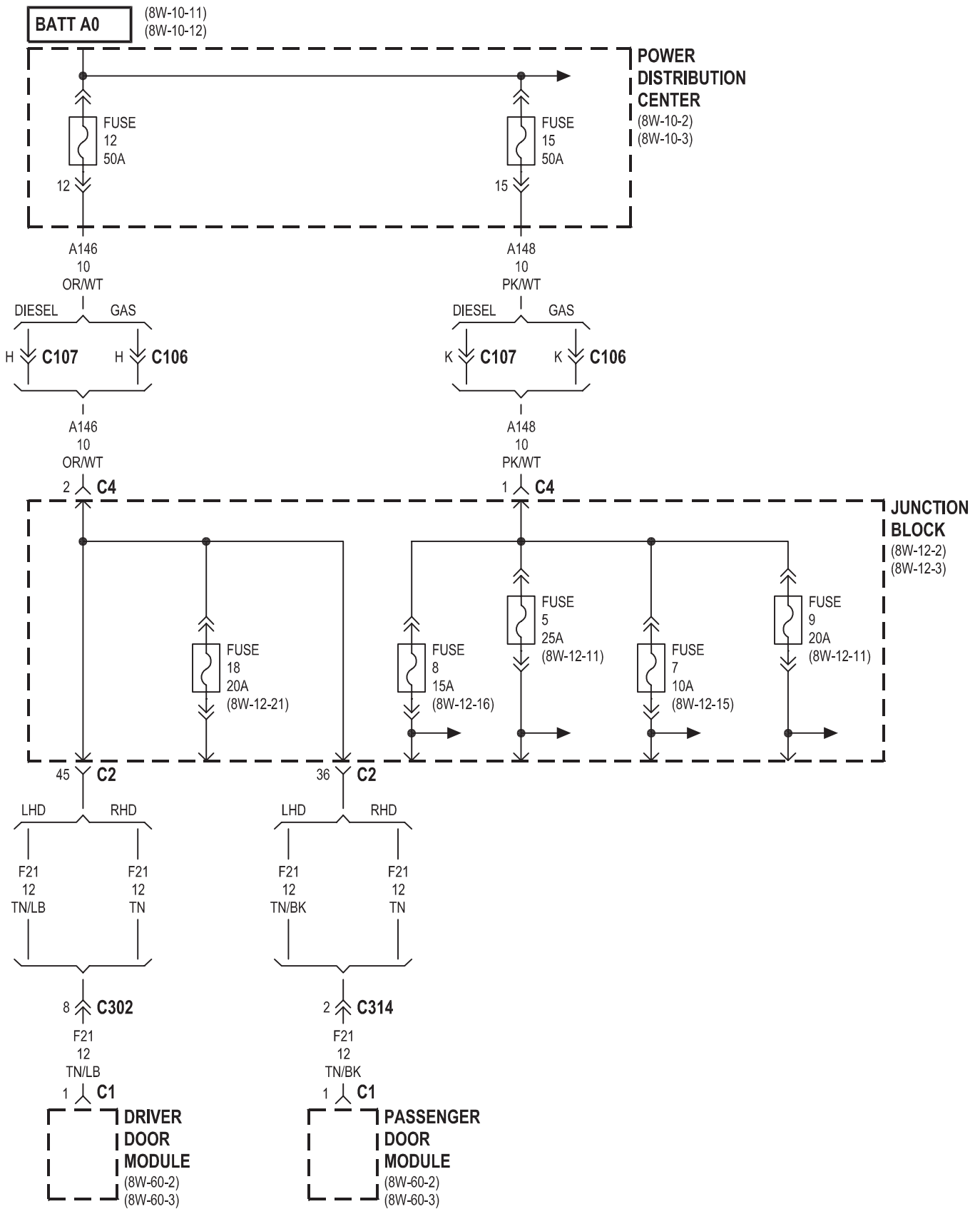


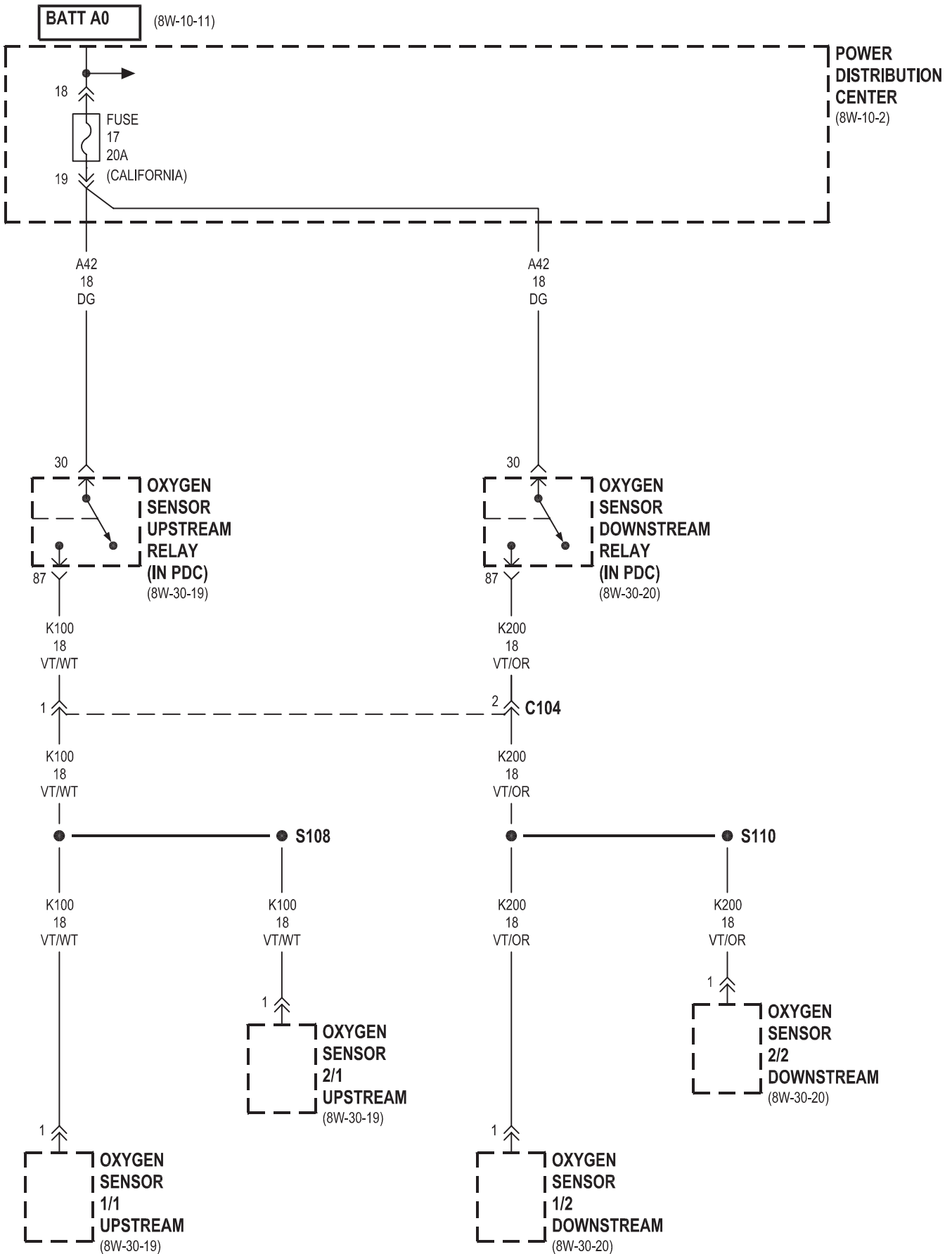
EGR
SOLENOID
(8W-30-36)

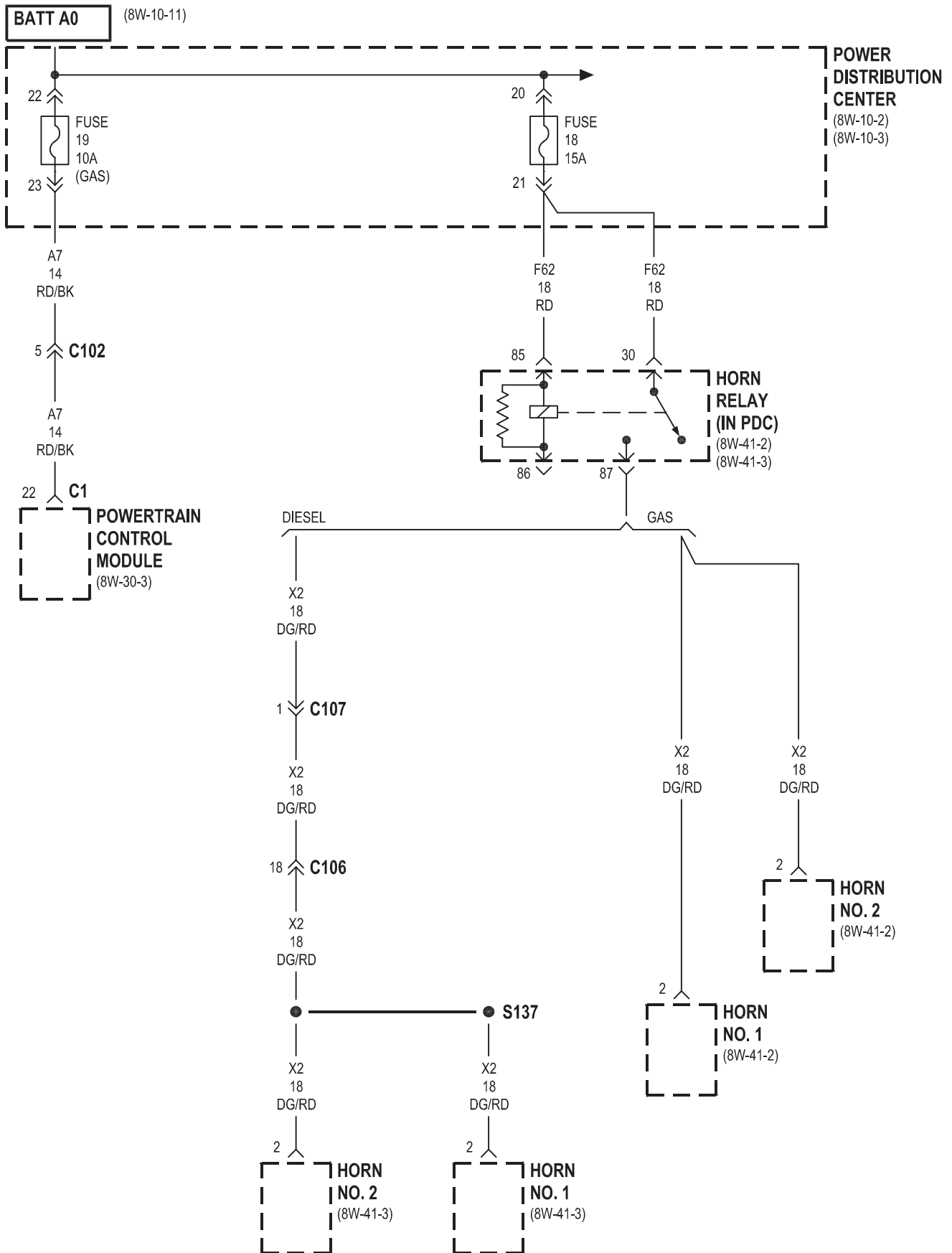


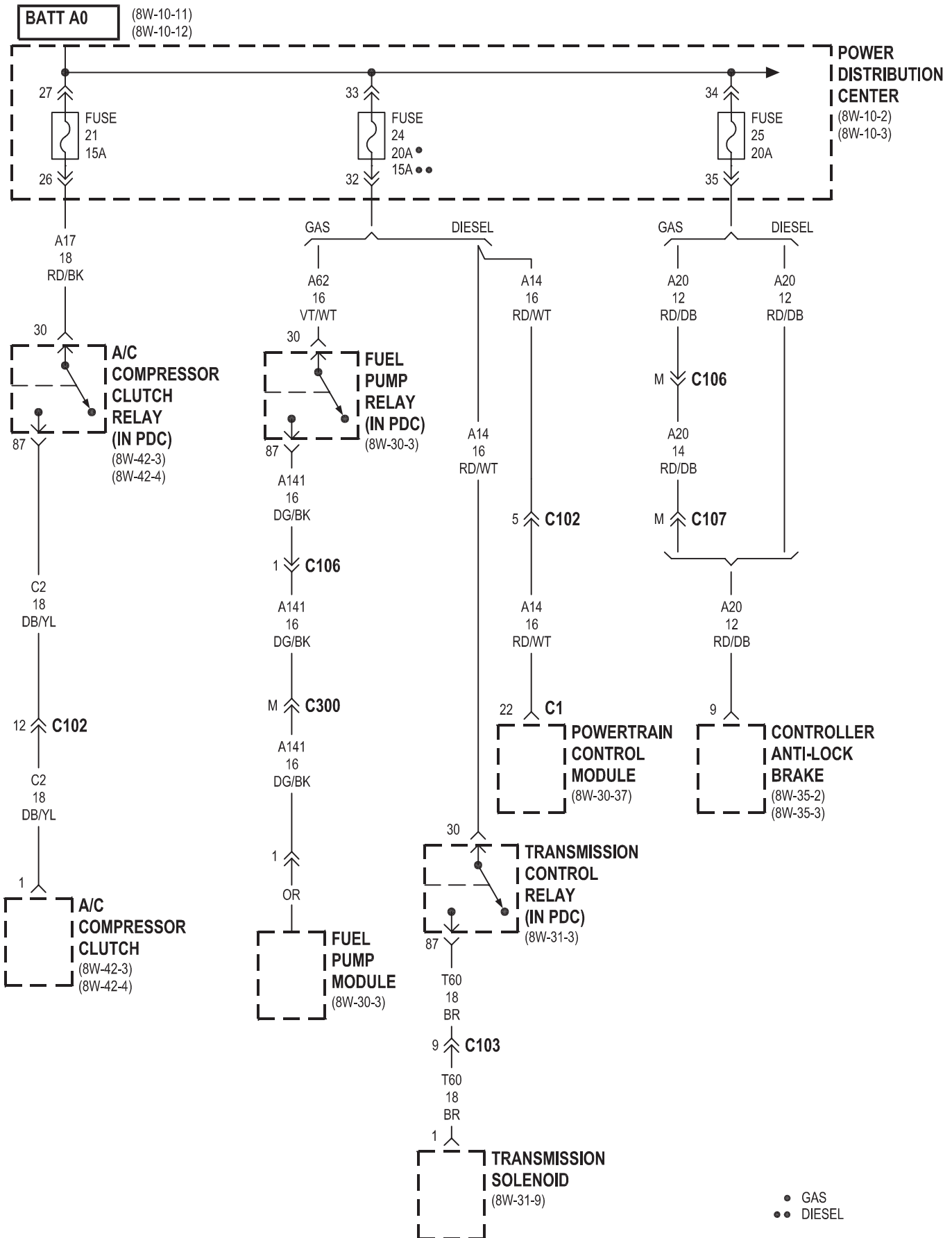










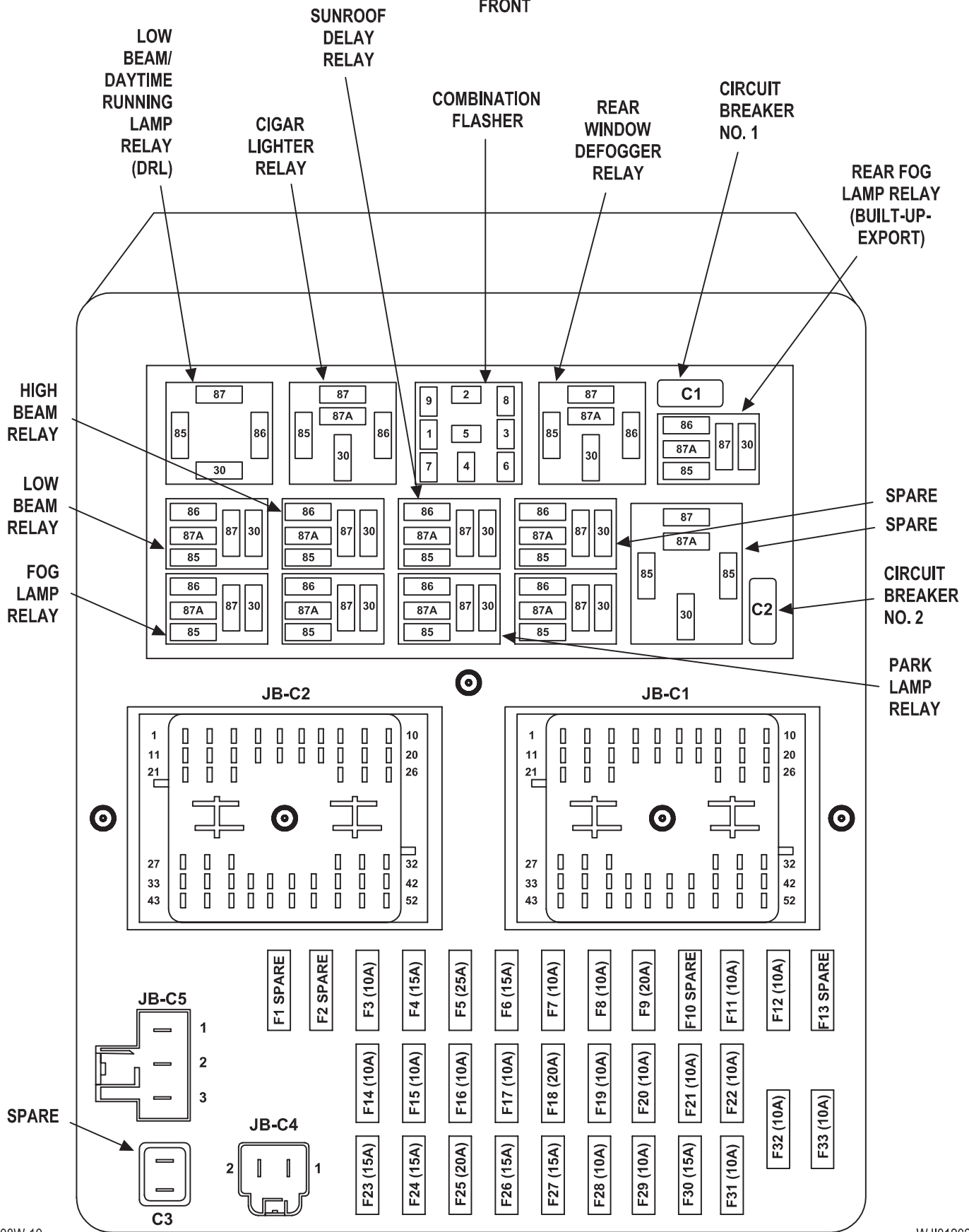


8W-12 JUNCTION BLOCK

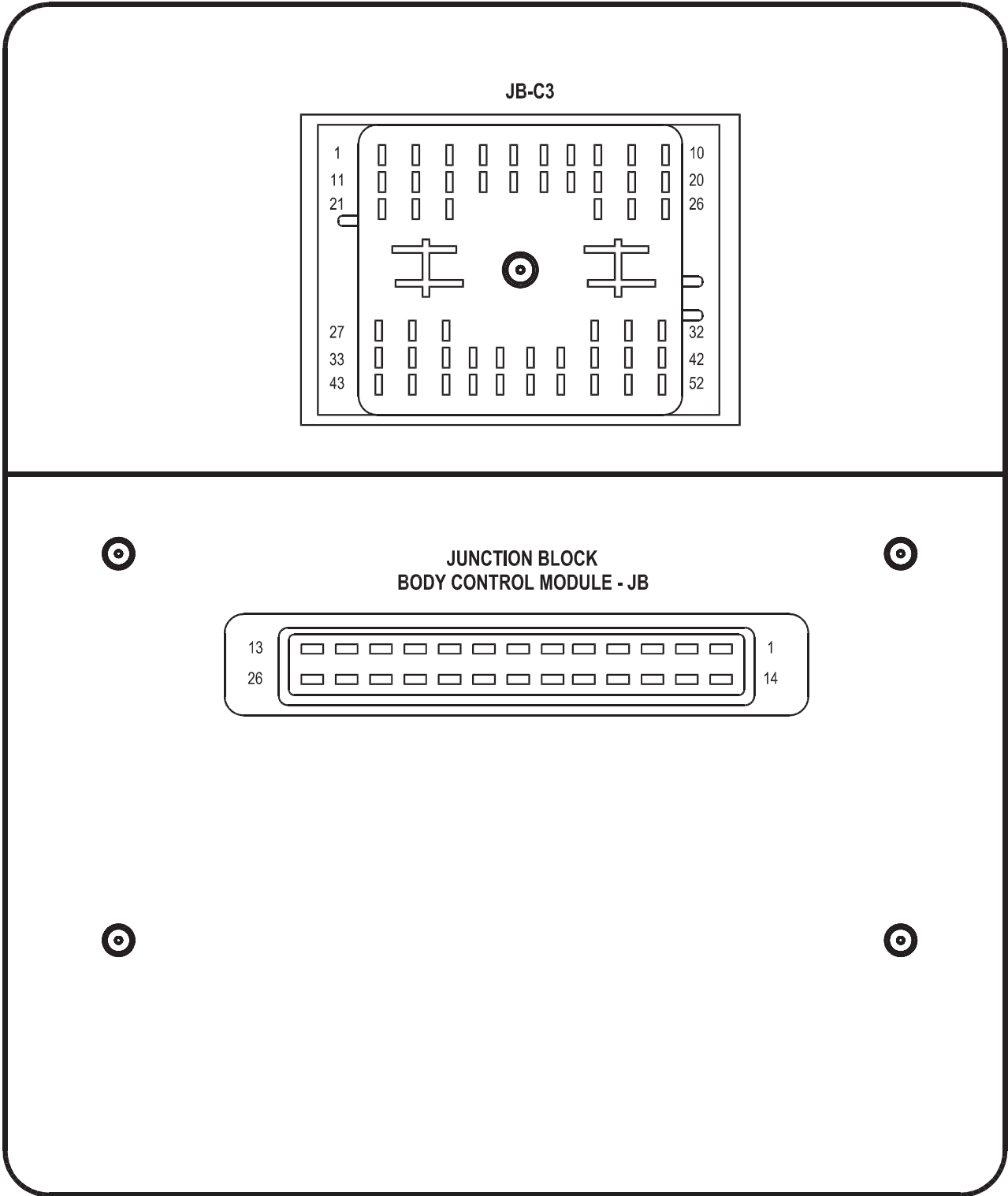
Component	Page
A/C Compressor Clutch Relay	8W-12-18
Airbag Control Module	8W-12-25
Automatic Day/Night Mirror	8W-12-23
Automatic Headlamp Light Sensor/VTSS LED	8W-12-15
Automatic Shut Down Relay	8W-12-18
Automatic Zone Control Module	8W-12-15, 17, 22
Body Control Module	8W-12-10, 12, 13, 15, 17, 19, 20, 23, 24, 25, 26, 27, 28, 29, 30, 31, 32, 35, 36, 37
Brake Lamp Switch	8W-12-24
Brake Shift Interlock Solenoid	8W-12-18, 19
Cargo Lamp	8W-12-16, 19, 27
Chime	8W-12-30
Cigar Lighter	8W-12-17
Cigar Lighter Relay	8W-12-17, 26
Circuit Breaker No. 1 (JB)	8W-12-28, 29
Circuit Breaker No. 2 (JB)	8W-12-9
Clockspring	8W-12-31, 32
Combination Flasher	8W-12-10, 22, 27, 33, 36
Controller Anti-Lock Brake	8W-12-21, 31, 32
Data Link Connector	8W-12-10
Driver Door Module	8W-12-35
Driver Heated Seat Switch	8W-12-22
Driver Lumbar Switch	8W-12-9
Driver Power Seat Switch	8W-12-9
Duty Cycle Evap/Purge Solenoid	8W-12-18
Engine Control Module	8W-12-19, 32
Engine Starter Motor Relay	8W-12-26
Fog Lamp Relay	8W-12-24
Front Power Outlet	8W-12-11
Fuel Heater Relay	8W-12-19
Fuel Pump Relay	8W-12-18
Fuse 2 (PDC)	8W-12-17
Fuse 3 (JB)	8W-12-10
Fuse 3 (PDC)	8W-12-10, 20
Fuse 4 (JB)	8W-12-10
Fuse 5 (JB)	8W-12-11
Fuse 6 (JB)	8W-12-12, 13
Fuse 7 (JB)	8W-12-15
Fuse 8 (JB)	8W-12-16
Fuse 9 (JB)	8W-12-11
Fuse 11 (JB)	8W-12-17
Fuse 12 (JB)	8W-12-18
Fuse 12 (PDC)	8W-12-21, 35
Fuse 14 (JB)	8W-12-20
Fuse 15 (JB)	8W-12-20
Fuse 15 (PDC)	8W-12-11, 15
Fuse 16 (JB)	8W-12-10
Fuse 17 (JB)	8W-12-10
Fuse 18 (JB)	8W-12-21, 35
Fuse 19 (JB)	8W-12-21
Fuse 20 (JB)	8W-12-22
Fuse 21 (JB)	8W-12-18, 19
Fuse 22 (JB)	8W-12-23
Fuse 23 (JB)	8W-12-24
Fuse 24 (JB)	8W-12-24
Fuse 25 (JB)	8W-12-25
Fuse 26 (JB)	8W-12-17
Fuse 27 (JB)	8W-12-37
Fuse 28 (JB)	8W-12-26
Fuse 29 (JB)	8W-12-26
Fuse 30 (JB)	8W-12-26
Fuse 31 (JB)	8W-12-26
Fuse 32 (JB)	8W-12-25
Fuse 33 (JB)	8W-12-25
G200	8W-12-36
Glove Box Lamp	8W-12-16
Headlamp Leveling Switch	8W-12-12, 13
High Beam Relay	8W-12-10
Horn Relay	8W-12-31, 32
Horn Switch	8W-12-3, 32
Instrument Cluster	8W-12-10, 23, 31, 32, 33
Junction Block	8W-12-2, 3, 9, 10, 11, 12, 13, 15, 16, 17, 18, 19, 20, 21, 22, 23, 24, 25, 26, 27, 28, 29, 30, 31, 32, 33, 35, 36, 37
Left Courtesy Lamp	8W-12-16
Left Fog Lamp	8W-12-24
Left Front Park Lamp	8W-12-14
Left Front Park/Turn Signal Lamp	8W-12-14, 34
Left Front Side Marker Lamp	8W-12-14, 34
Left Front Turn Signal Lamp	8W-12-34

Component	Page
Left Handle Courtesy Lamp	8W-12-16
Left Handle Courtesy Lamp Switch	8W-12-1, 30
Left Headlamp Leveling Motor	8W-12-14
Left High Beam Headlamp	8W-12-10
Left Liftgate Ajar Switch	8W-12-30
Left Low Beam Headlamp	8W-12-20
Left Multi- Function Switch	8W-12-1, 36
Left Rear Door Lock Motor/Ajar Switch	8W-12-27
Left Rear Lamp Assembly	8W-12-12, 13, 27, 37
Left Visor/Vanity Lamp	8W-12-16, 30
License Lamp No. 1	8W-12-12, 13
License Lamp No. 2	8W-12-12, 13
Liftgate Flip-Up Ajar Switch	8W-12-30
Liftgate Flip-Up Push Button Switch	8W-12-16
Liftgate Lock Motor	8W-12-16
Low Beam Relay	8W-12-20
Low Beam/Daytime Running Lamp Relay	8W-12-20
Manual Temperature Control	8W-12-17, 22
Overhead Map/Courtesy Lamp No. 1	8W-12-16
Overhead Map/Courtesy Lamp No. 1 Switch	8W-12-19, 30
Overhead Map/Courtesy Lamp No. 2	8W-12-16
Overhead Map/Courtesy Lamp No. 2 Switch	8W-12-19, 30
Oxygen Sensor Downstream Relay	8W-12-18
Oxygen Sensor Upstream Relay	8W-12-18
Park Lamp Relay	8W-12-12, 13
Park/Neutral Position Switch	8W-12-22
Passenger Door Module	8W-12-35
Passenger Heated Seat Switch	8W-12-22
Passenger Lumbar Switch	8W-12-9
Passenger Power Seat Switch	8W-12-9
Power Amplifier	8W-12-11
Power Connector	8W-12-11
Power Distribution Center	8W-12-10, 11, 15, 17, 20, 21, 35
Powertrain Control Module	8W-12-18, 31, 32
Radio	8W-12-11, 26
Rear Fog Lamp Relay	8W-12-37
Rear Power Outlet	8W-12-11
Rear Window Defogger	8W-12-17
Rear Window Defogger Relay	8W-12-17
Rear Wiper Motor	8W-12-16, 30
Remote Keyless Module	8W-12-15
Right Courtesy Lamp	8W-12-16
Right Fog Lamp	8W-12-24
Right Front Park Lamp	8W-12-14
Right Front Park/Turn Signal Lamp	8W-12-14, 34
Right Front Side Marker Lamp	8W-12-14, 34
Right Front Turn Signal Lamp	8W-12-34
Right Handle Courtesy Lamp	8W-12-16
Right Handle Courtesy Lamp Switch	8W-12-19, 30
Right Headlamp Leveling Motor	8W-12-14
Right High Beam Headlamp	8W-12-10
Right Liftgate Ajar Switch	8W-12-30
Right Low Beam Headlamp	8W-12-20
Right Multi- Function Switch	8W-12-26
Right Rear Lamp Assembly	8W-12-12, 13, 33, 37
Right Visor/Vanity Lamp	8W-12-16, 30
Seat Belt Switch	8W-12-30
Seat Module	8W-12-9
Sentry Key Immobilizer Module	8W-12-15, 23
Sunroof Control Module	8W-12-25
Sunroof Delay Relay	8W-12-25
Temperature Valve Actuator	8W-12-22
Trailer Tow Brake Lamp Relay	8W-12-21
Trailer Tow Circuit Breaker	8W-12-17
Trailer Tow Connector	8W-12-12, 13, 37
Trailer Tow Left Turn Relay	8W-12-27
Trailer Tow Right Turn Relay	8W-12-33
Transmission Control Module	8W-12-18, 26, 31
Transmission Solenoid/TRS Assembly	8W-12-22
Underhood Lamp	8W-12-15
United Kingdom Security System Module	8W-12-1, 23, 36
Vehicle Information Center	8W-12-16, 23
Windshield Wiper Motor	8W-12-2, 29, 35
Wiper High/Low Relay	8W-12-28, 29
Wiper On/Off Relay	8W-12-28, 29, 35

JUNCTION BLOCK FRONT



JUNCTION BLOCK
BACK



FUSES

FUSE	AMPS	FUSED CIRCUIT	FUNCTION
1	-	-	-
2	-	-	-
3	10A	L33 18RD	FUSED HIGH BEAM RELAY OUTPUT
4	15A	INTERNAL	FUSED B(+)
5	25A	INTERNAL	FUSED B(+)
6	15A	INTERNAL	FUSED B(+)
7	10A	INTERNAL	FUSED B(+)
8	15A	INTERNAL	FUSED B(+)
9	20A	INTERNAL	FUSED B(+)
10	-	-	-
11	10A	C15 20BK/WT	FUSED REAR WINDOW DEFOGGER RELAY OUTPUT
12	10A	F991 20OR/DB	FUSED IGNITION SWITCH OUTPUT (ST-RUN)
13	-	-	-
14	10A	L43 18VT	FUSED LOW BEAM RELAY OUTPUT
15	10A	L44 18VT/RD	FUSED LOW BEAM RELAY OUTPUT
16	10A	L34 18RD/OR	FUSED HIGH BEAM RELAY OUTPUT
17	10A	INTERNAL	FUSED B(+)
18	20A	L50 16WT/TN	FUSED B(+)
19	10A	F20 18DB/PK	FUSED IGNITION SWITCH OUTPUT (RUN)
20	10A	INTERNAL	FUSED IGNITION SWITCH OUTPUT (RUN)
21	10A	INTERNAL	FUSED IGNITION SWITCH OUTPUT (ST-RUN)
22	10A	INTERNAL	FUSED IGNITION SWITCH OUTPUT (ST-RUN)
23	15A	F32 20PK/DB	FUSED B(+)
24	15A	INTERNAL	FUSED B(+)
25	20A	INTERNAL	FUSED B(+)
26	15A	F30 18RD	FUSED CIGAR LIGHTER RELAY OUTPUT
27 •	15A	INTERNAL	FUSED B(+)
28	10A	INTERNAL	FUSED IGNITION SWITCH OUTPUT (RUN-ACC)
29	10A	INTERNAL	FUSED IGNITION SWITCH OUTPUT (RUN-ACC)
30	15A	X12 18RD/WT ••	FUSED IGNITION SWITCH OUTPUT (RUN-ACC)
		X12 16WT/RD ■	FUSED IGNITION SWITCH OUTPUT (RUN-ACC)
31	10A	F45 20YL/RD	FUSED IGNITION SWITCH OUTPUT (START)
32	10A	F14 18LG/YL	FUSED IGNITION SWITCH OUTPUT (ST-RUN)
33	10A	F23 18DB/YL	FUSED IGNITION SWITCH OUTPUT (RUN)

- BUILT-UP-EXPORT ■ LHD
- RHD

CIRCUIT BREAKERS

C.B.	AMPS	FUSED CIRCUIT	FUNCTION
1	20A	V6 16DB	FUSED IGNITION SWITCH OUTPUT (RUN-ACC)
2	20A	INTERNAL	FUSED B(+)
3	-	-	-

JUNCTION BLOCK
BODY CONTROL MODULE - JB

CAVITY	CIRCUIT	FUNCTION
1	L308	PARK LAMP RELAY CONTROL
2	L26	FOG LAMP RELAY CONTROL
3	Q29	SUNROOF DELAY RELAY CONTROL
4	L307	LOW BEAM RELAY CONTROL
5	G5	FUSED IGNITION SWITCH OUTPUT (ST-RUN)
6	X4	HORN RELAY CONTROL
7	-	-
8	G80	LIFTGATE FLIP-UP AJAR SWITCH SENSE
9	L11	HIGH BEAM RELAY CONTROL
10	L91	HAZARD SWITCH SENSE
11	C80	REAR WINDOW DEFOGGER RELAY CONTROL
12	Z2	GROUND
13	L96	REAR FOG LAMP RELAY CONTROL
14	L7	PARK LAMP RELAY OUTPUT
15	Z1	GROUND
16	M2	COURTESY LAMPS DRIVER
17	-	-
18	-	-
19	M20	COURTESY LAMPS DRIVER
20	V55	WIPER PARK SWITCH SENSE
21	G78	LIFTGATE AJAR SWITCH SENSE
22	G10	SEAT BELT SWITCH SENSE
23	G77	DOOR AJAR SWITCH SENSE
24	G73	LIFTGATE COURTESY DISABLE
25	V23	FUSED IGNITION SWITCH OUTPUT (RUN-ACC)
26	M1	FUSED B(+)

**CIGAR
LIGHTER
RELAY**

CAVITY	CIRCUIT	FUNCTION
30	INTERNAL	FUSED B(+)
85	INTERNAL	FUSED IGNITION SWITCH OUTPUT (RUN-ACC)
86	INTERNAL	GROUND
87	INTERNAL	CIGAR LIGHTER RELAY OUTPUT
87A	-	-

**FOG
LAMP
RELAY**

CAVITY	CIRCUIT	FUNCTION
30	INTERNAL	FUSED B(+)
85	INTERNAL	FOG LAMP RELAY CONTROL
86	INTERNAL	FUSED B(+)
87	INTERNAL	FOG LAMP RELAY OUTPUT
87A	-	-

**HIGH
BEAM
RELAY**

CAVITY	CIRCUIT	FUNCTION
30	INTERNAL	FUSED B(+)
85	INTERNAL	HIGH BEAM RELAY CONTROL
86	INTERNAL	FUSED B(+)
87	INTERNAL	HIGH BEAM RELAY OUTPUT
87A	-	-

**LOW
BEAM/
DAYTIME
RUNNING
LAMP
RELAY
(DRL)**

CAVITY	CIRCUIT	FUNCTION
30	INTERNAL	FUSED B(+)
85	INTERNAL	GROUND
86	INTERNAL	RELAY CONTROL
87	INTERNAL	RELAY OUTPUT
87A	-	-

**LOW
BEAM
RELAY**

CAVITY	CIRCUIT	FUNCTION
30	INTERNAL	FUSED B(+)
85	INTERNAL	FUSED B(+)
86	INTERNAL	LOW BEAM RELAY CONTROL
87	INTERNAL	LOW BEAM RELAY OUTPUT
87A	-	-

**PARK
LAMP
RELAY**

CAVITY	CIRCUIT	FUNCTION
30	INTERNAL	PARK LAMP RELAY OUTPUT
85	INTERNAL	FUSED B(+)
86	INTERNAL	PARK LAMP RELAY CONTROL
87	INTERNAL	FUSED B(+)
87A	INTERNAL	GROUND

**REAR
FOG
LAMP
RELAY
(BUILT-UP-
EXPORT)**

CAVITY	CIRCUIT	FUNCTION
30	INTERNAL	FUSED B(+)
85	INTERNAL	FUSED B(+)
86	INTERNAL	REAR FOG LAMP RELAY CONTROL
87	L95 18DG/YL	REAR FOG LAMP RELAY OUTPUT
87A	-	-

REAR
WINDOW
DEFOGGER
RELAY

CAVITY	CIRCUIT	FUNCTION
30	INTERNAL	FUSED B(+)
85	INTERNAL	FUSED B(+)
86	INTERNAL	REAR WINDOW DEFOGGER RELAY CONTROL
87	INTERNAL	REAR WINDOW DEFOGGER RELAY OUTPUT
87A	-	-

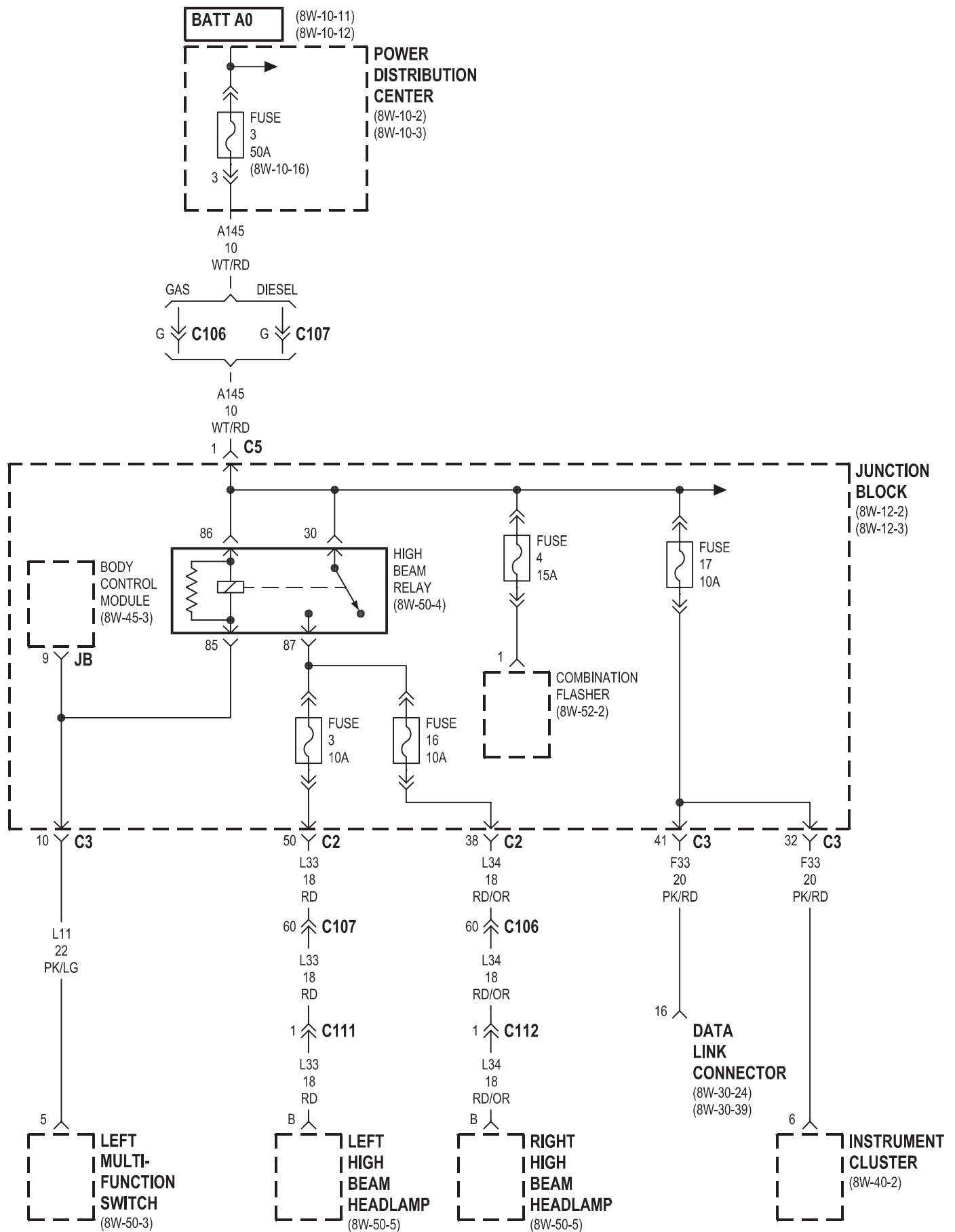
SUNROOF
DELAY
RELAY

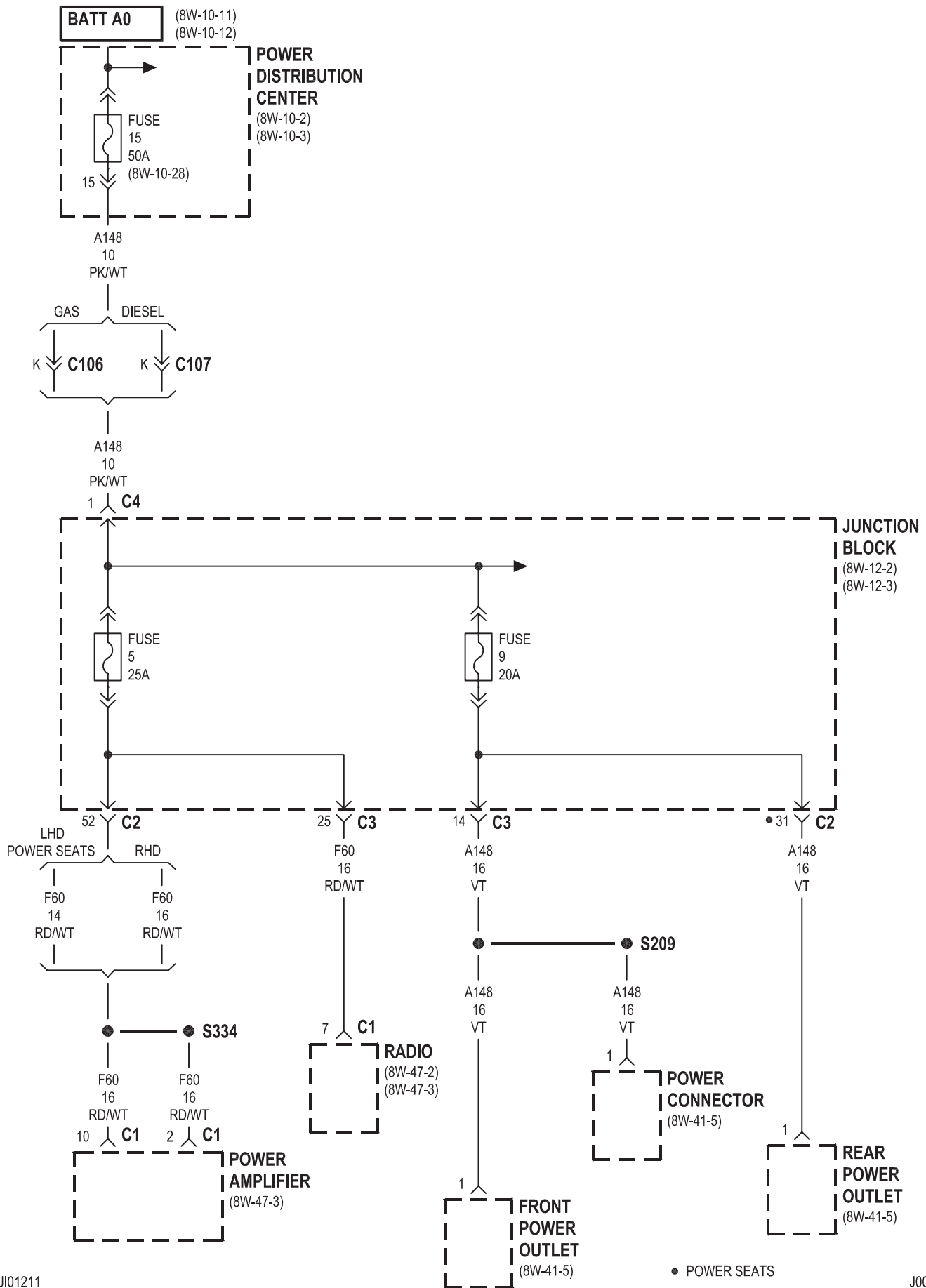
CAVITY	CIRCUIT	FUNCTION
30	INTERNAL	FUSED B(+)
85	INTERNAL	FUSED B(+)
86	INTERNAL	SUNROOF DELAY RELAY CONTROL
87	Q30 16TN	SUNROOF DELAY RELAY OUTPUT
87A	-	-

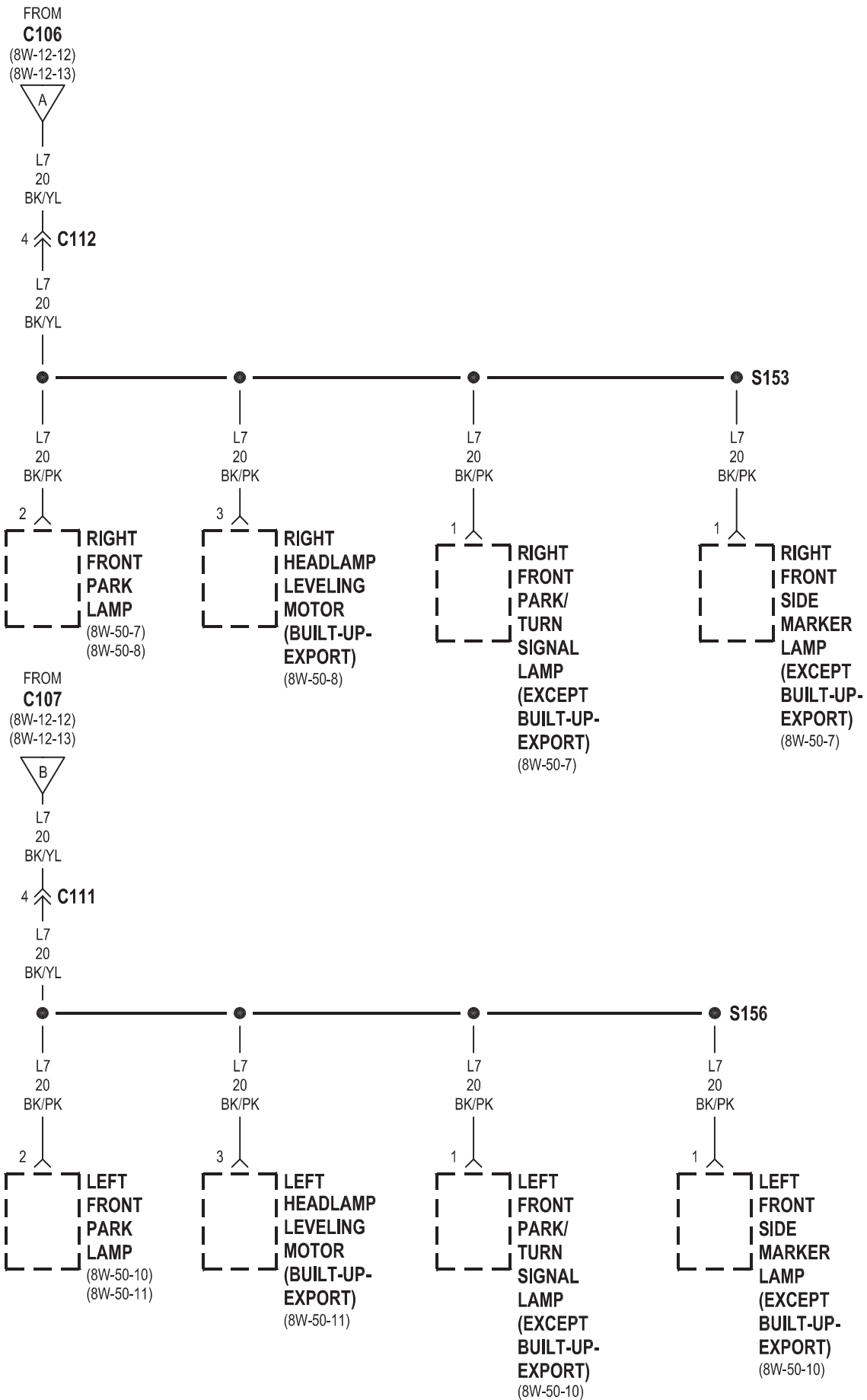
COMBINATION
FLASHER

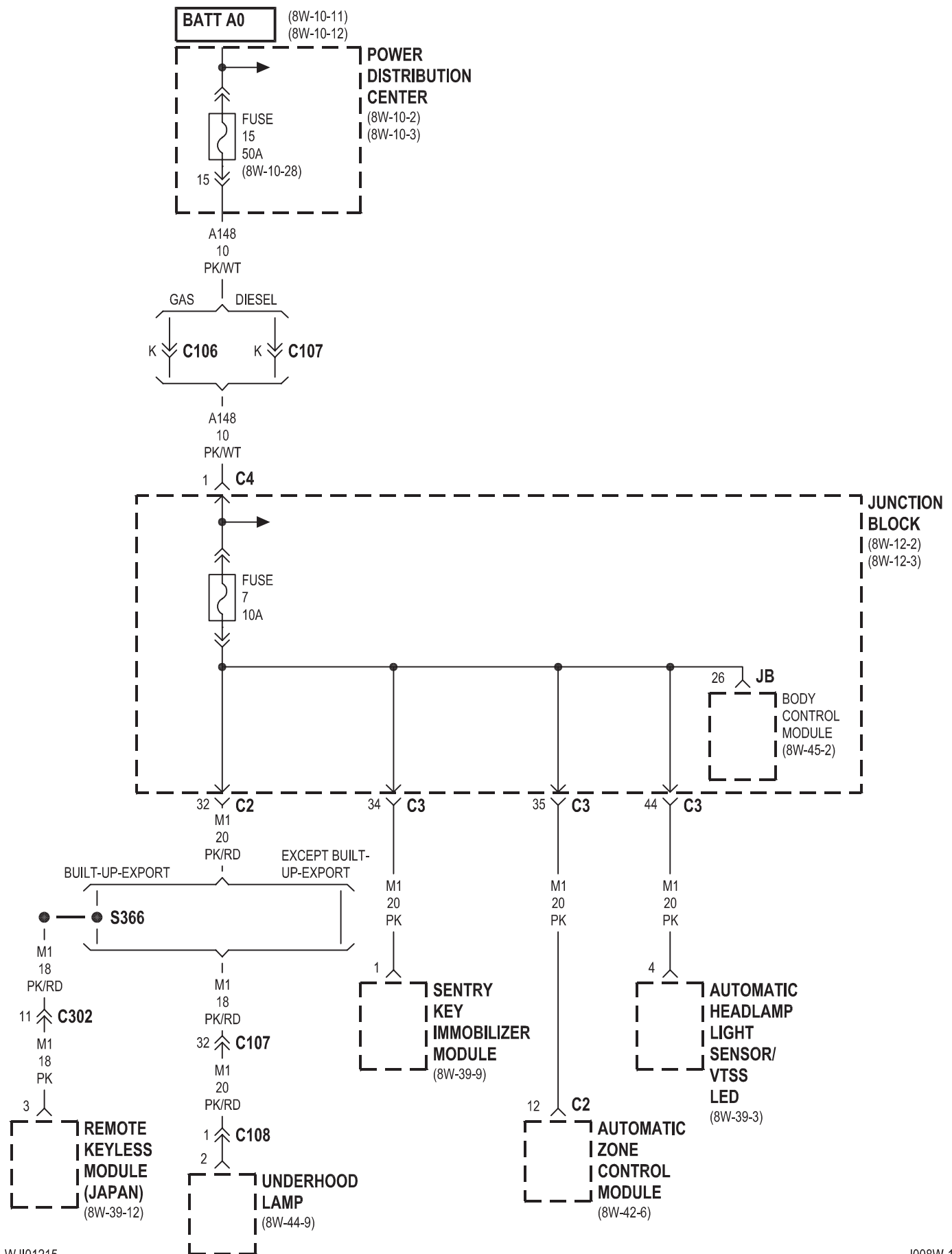
CAVITY	CIRCUIT	FUNCTION
1	INTERNAL	FUSED B(+)
2	INTERNAL	LEFT TURN SIGNAL
3	INTERNAL	RIGHT TURN SIGNAL
4	L63 18DG/RD	LEFT TURN SIGNAL
5	L62 18BR/RD •	RIGHT TURN SIGNAL
5	L62 20BR/RD ••	RIGHT TURN SIGNAL
6	INTERNAL	FUSED IGNITION SWITCH OUTPUT (RUN)
7	L305 18LB/WT ••	LEFT TURN SWITCH SENSE
7	L305 20LB/WT •	LEFT TURN SWITCH SENSE
8	L302 18LB/YL ••	RIGHT TURN SWITCH SENSE
8	L302 20LB/YL •	RIGHT TURN SWITCH SENSE
9	INTERNAL	HAZARD SWITCH SENSE

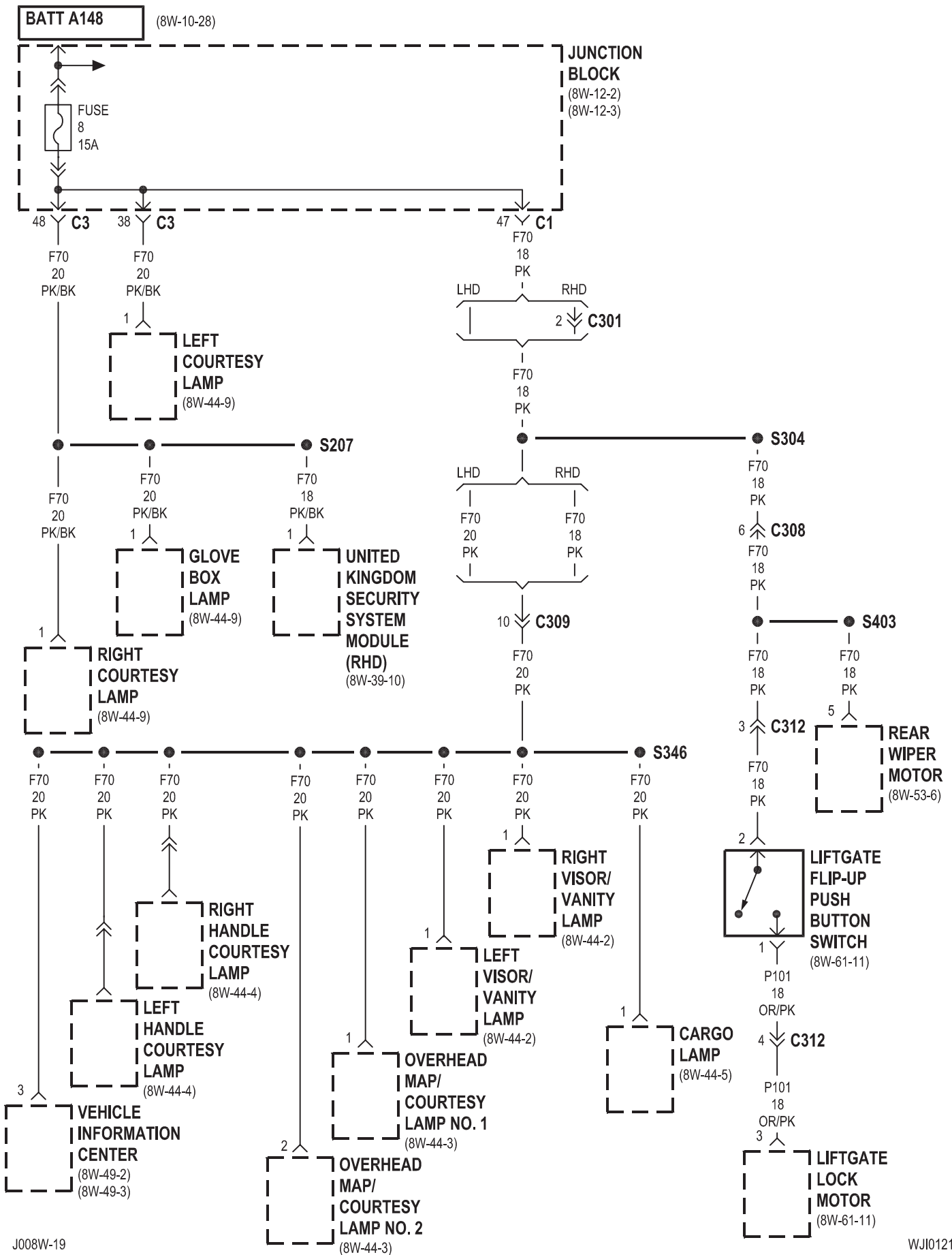
- LHD
- RHD

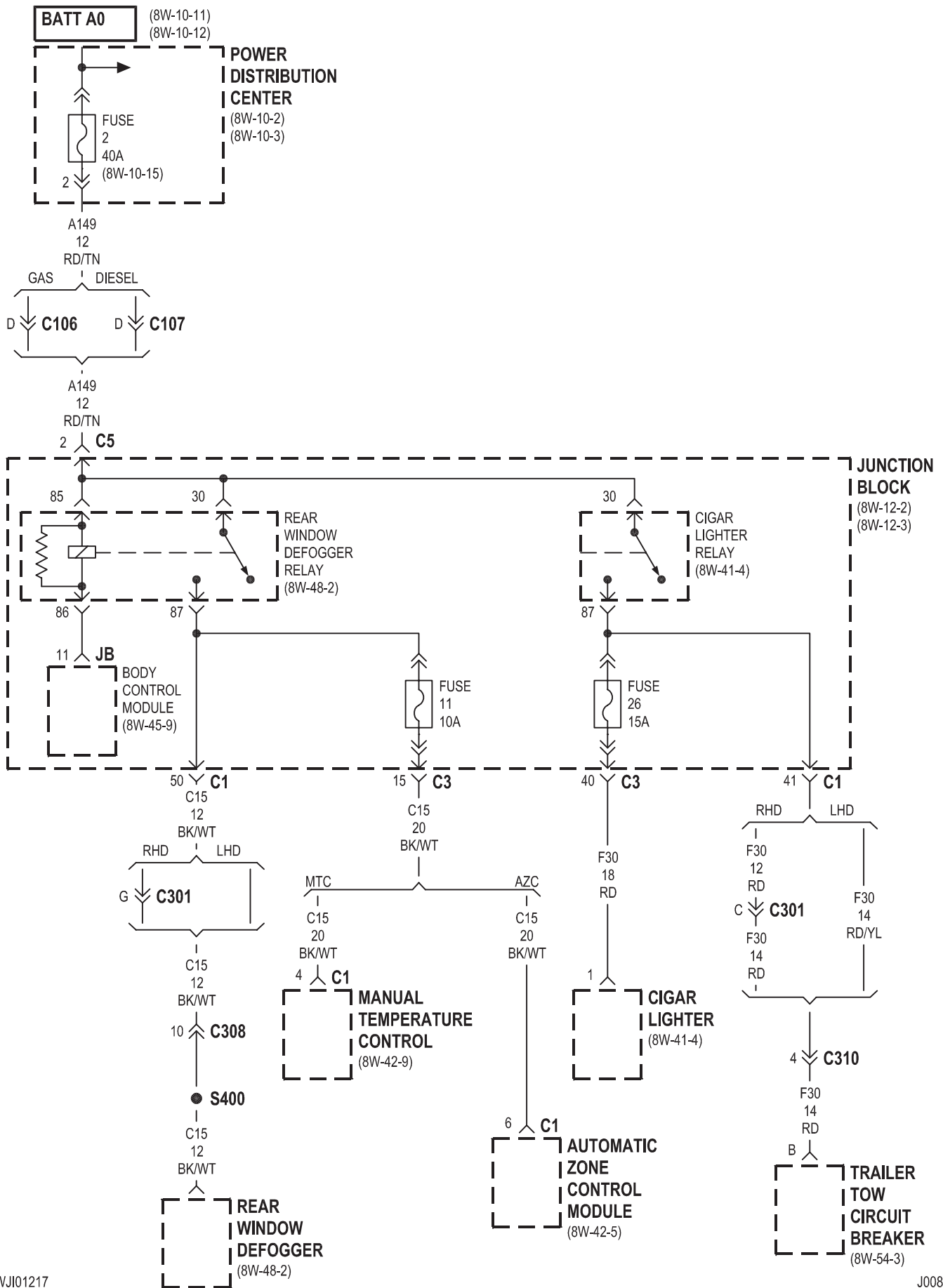


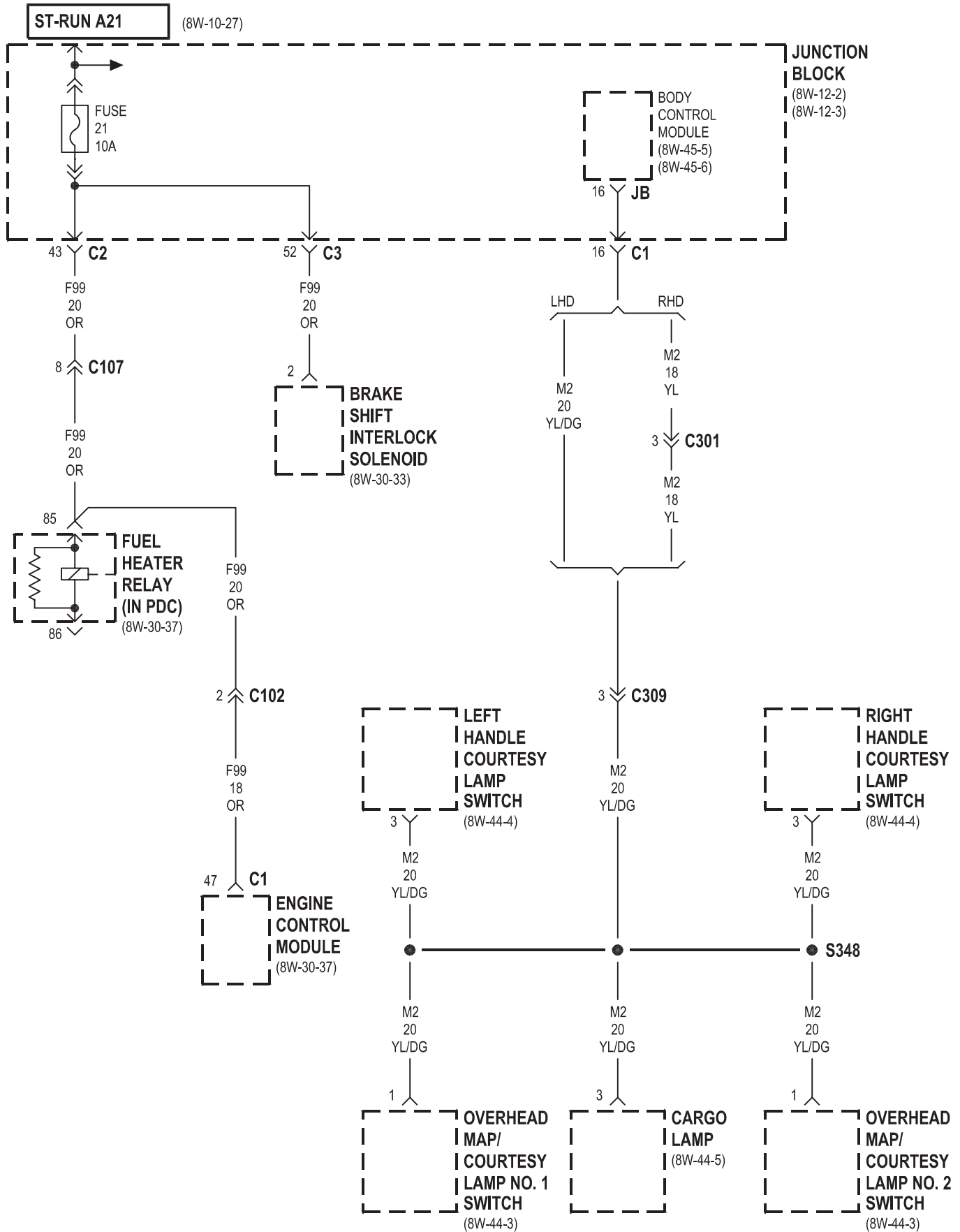


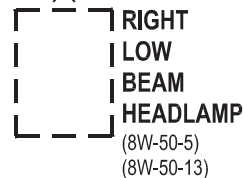
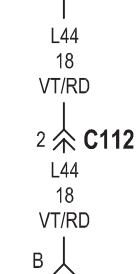
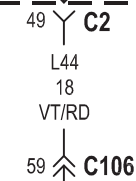
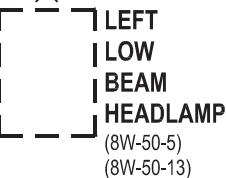
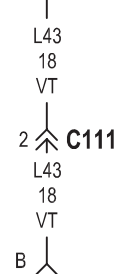
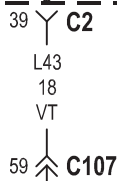
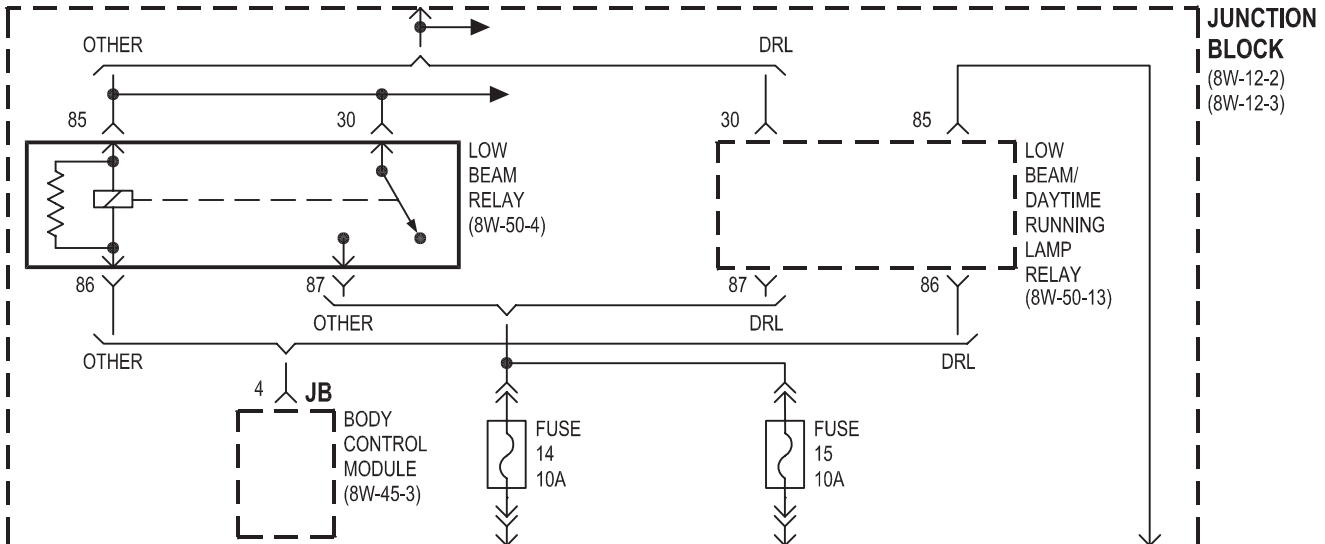
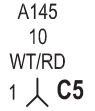
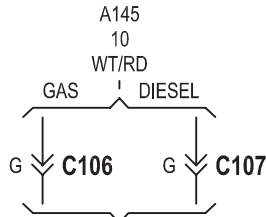
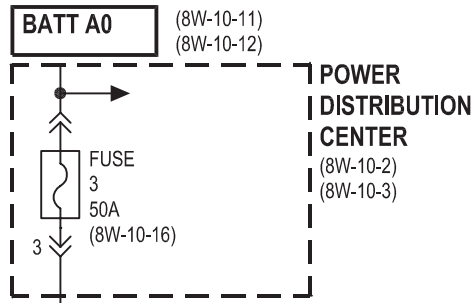


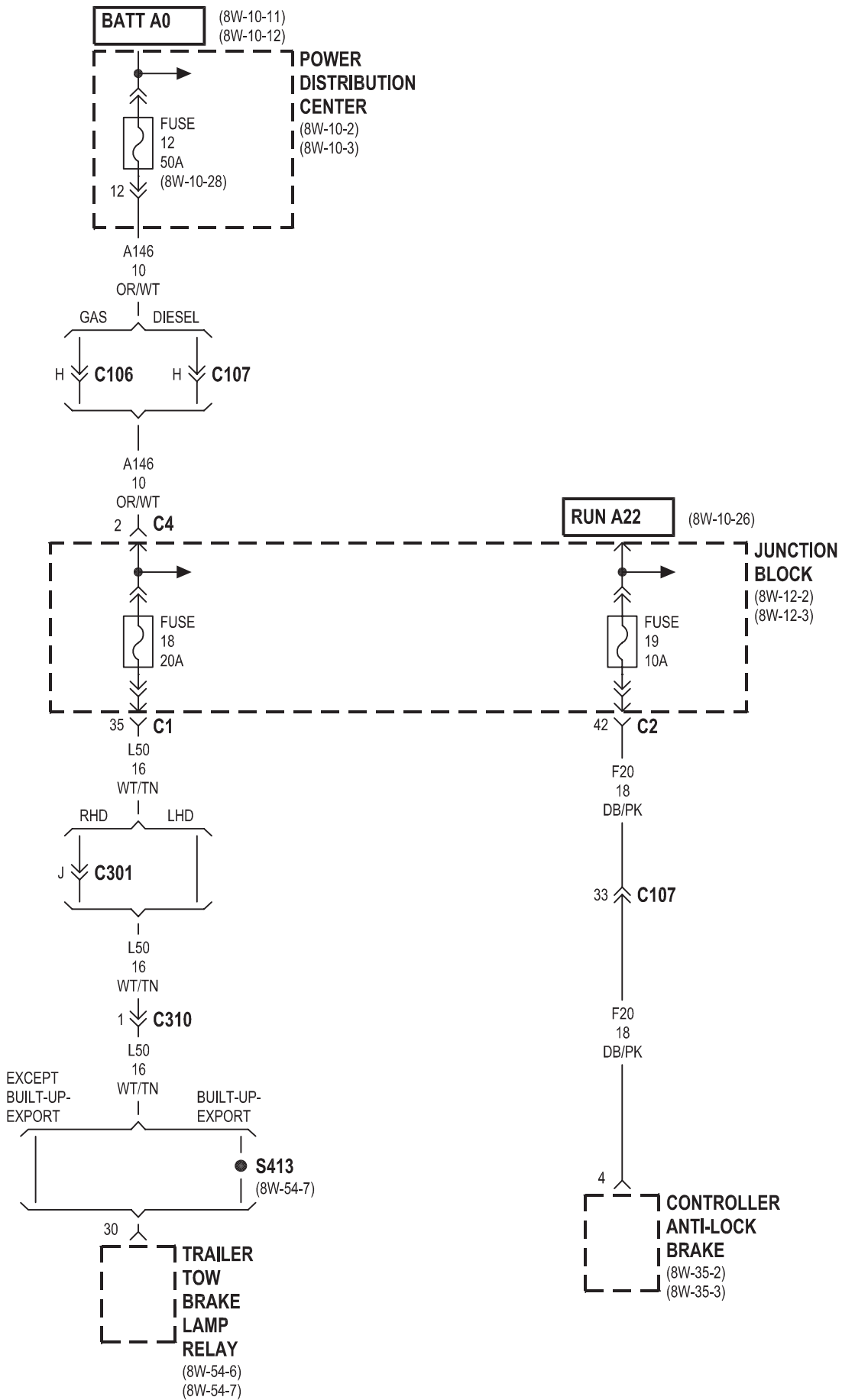


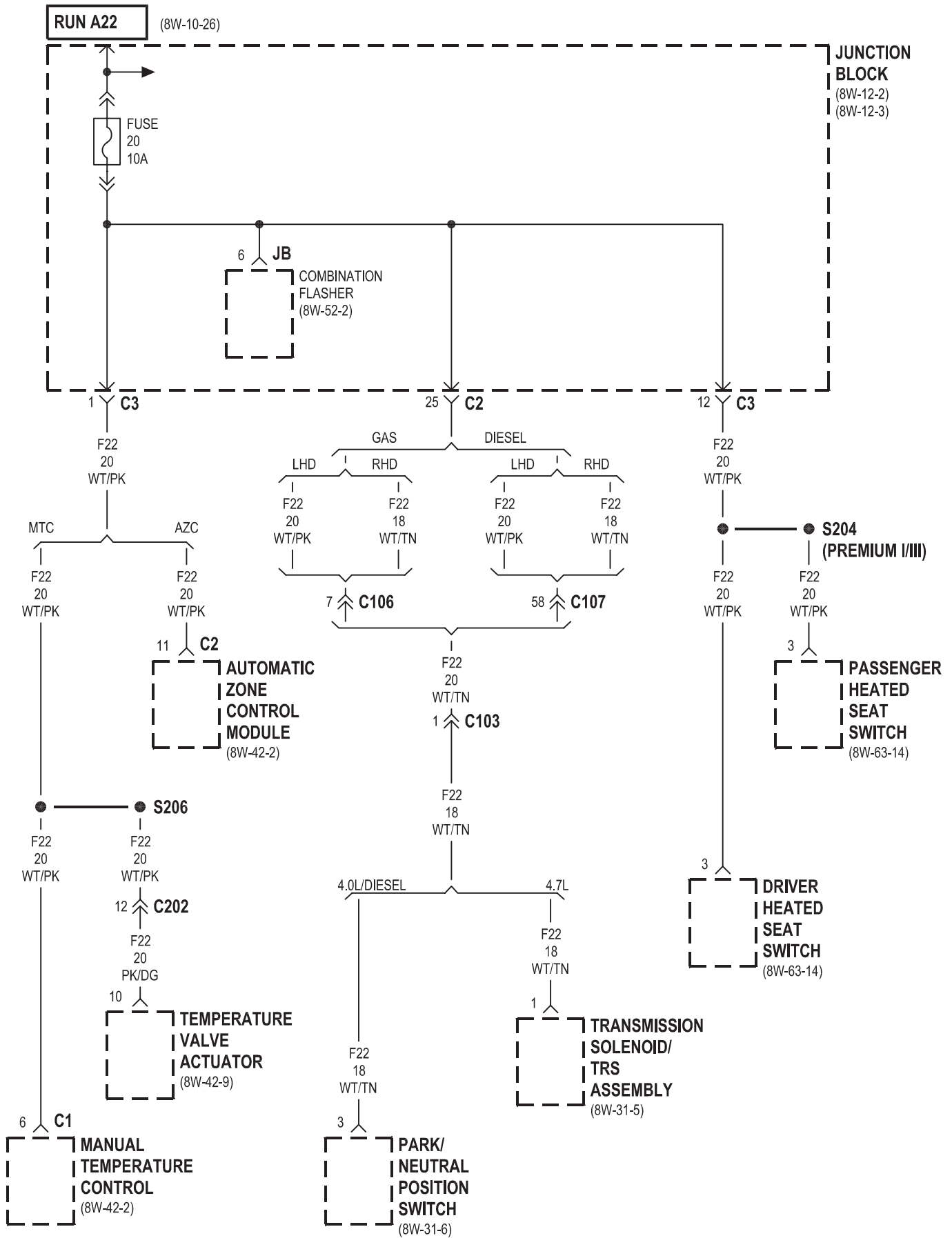


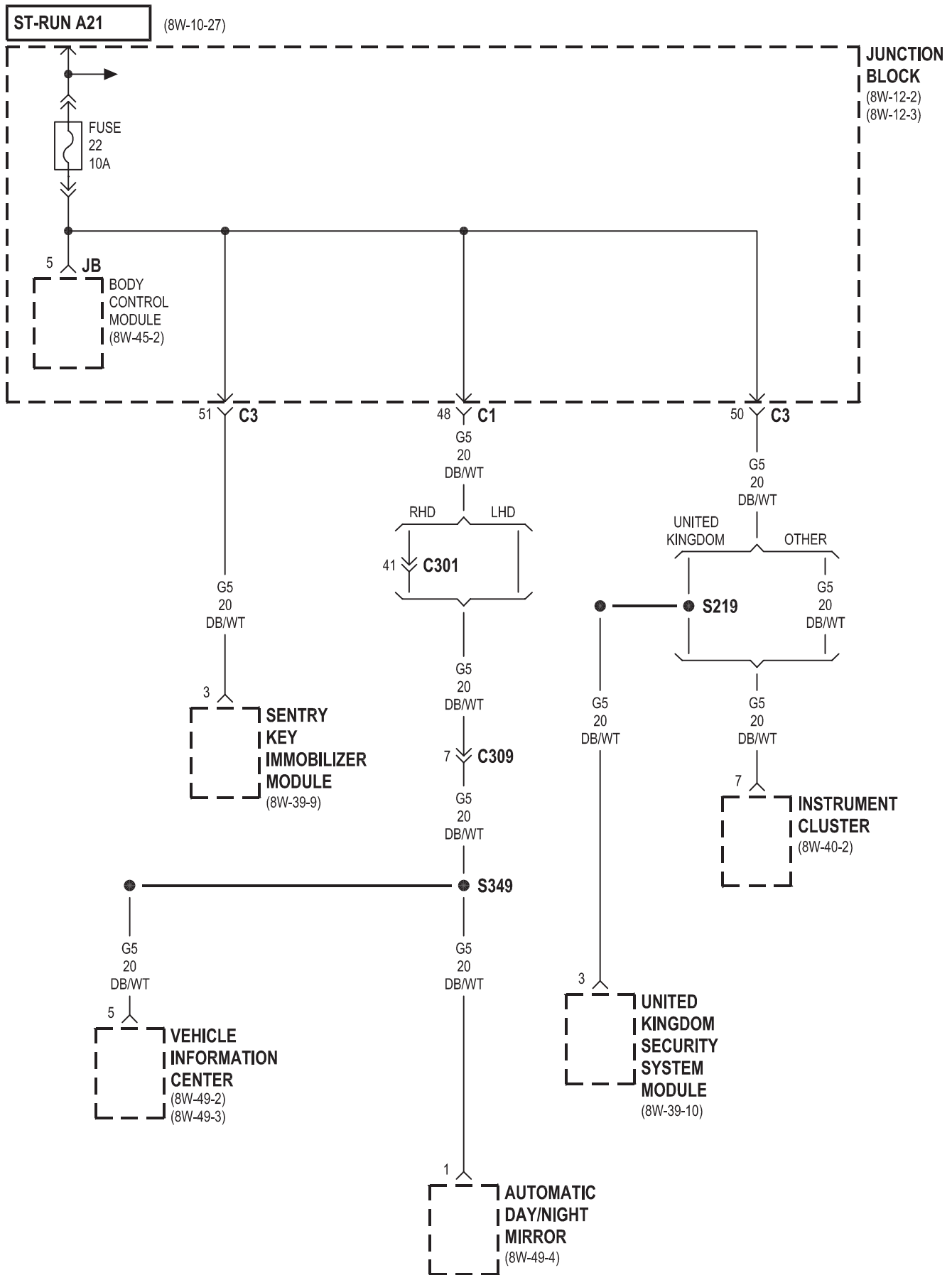


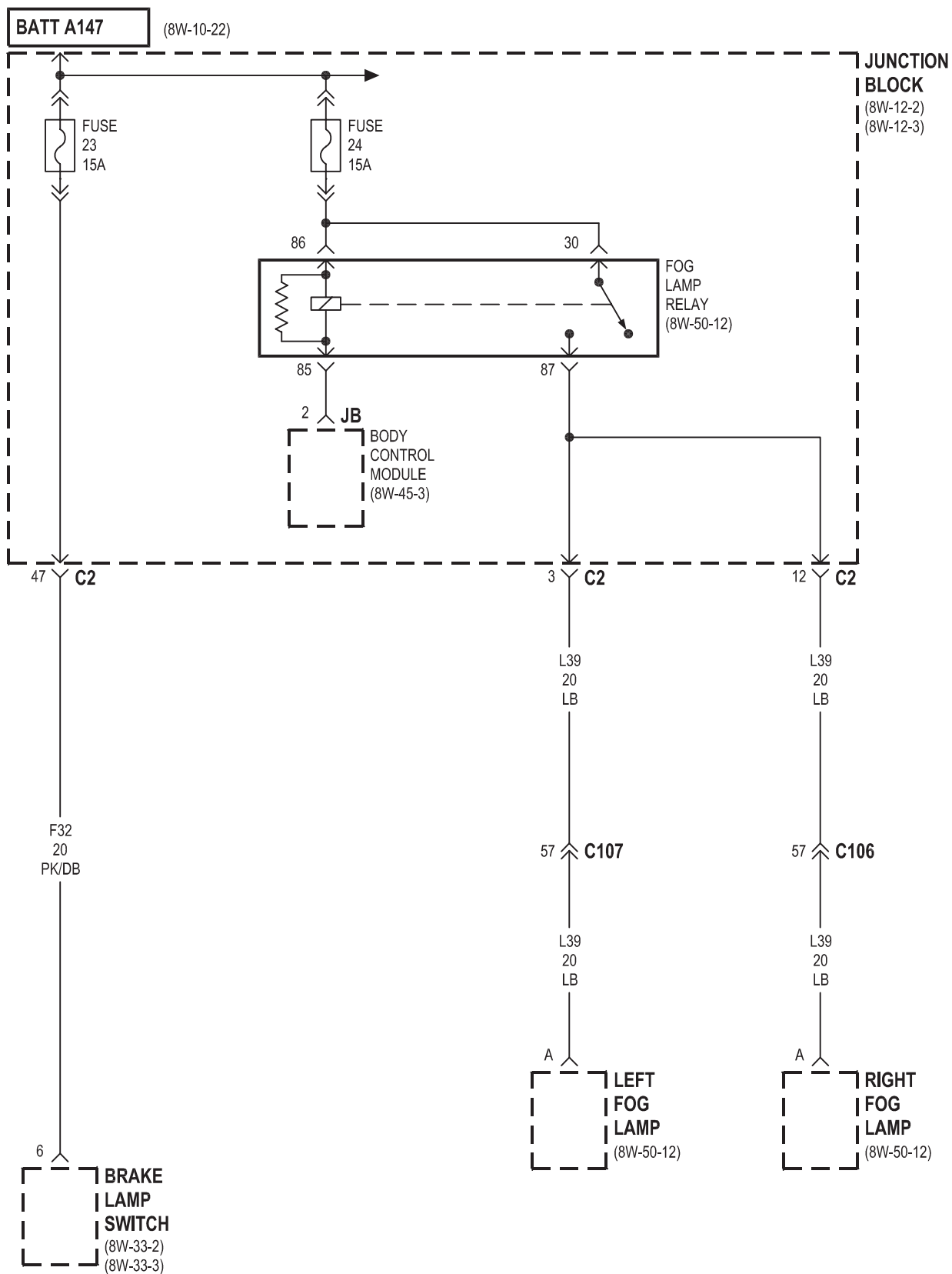


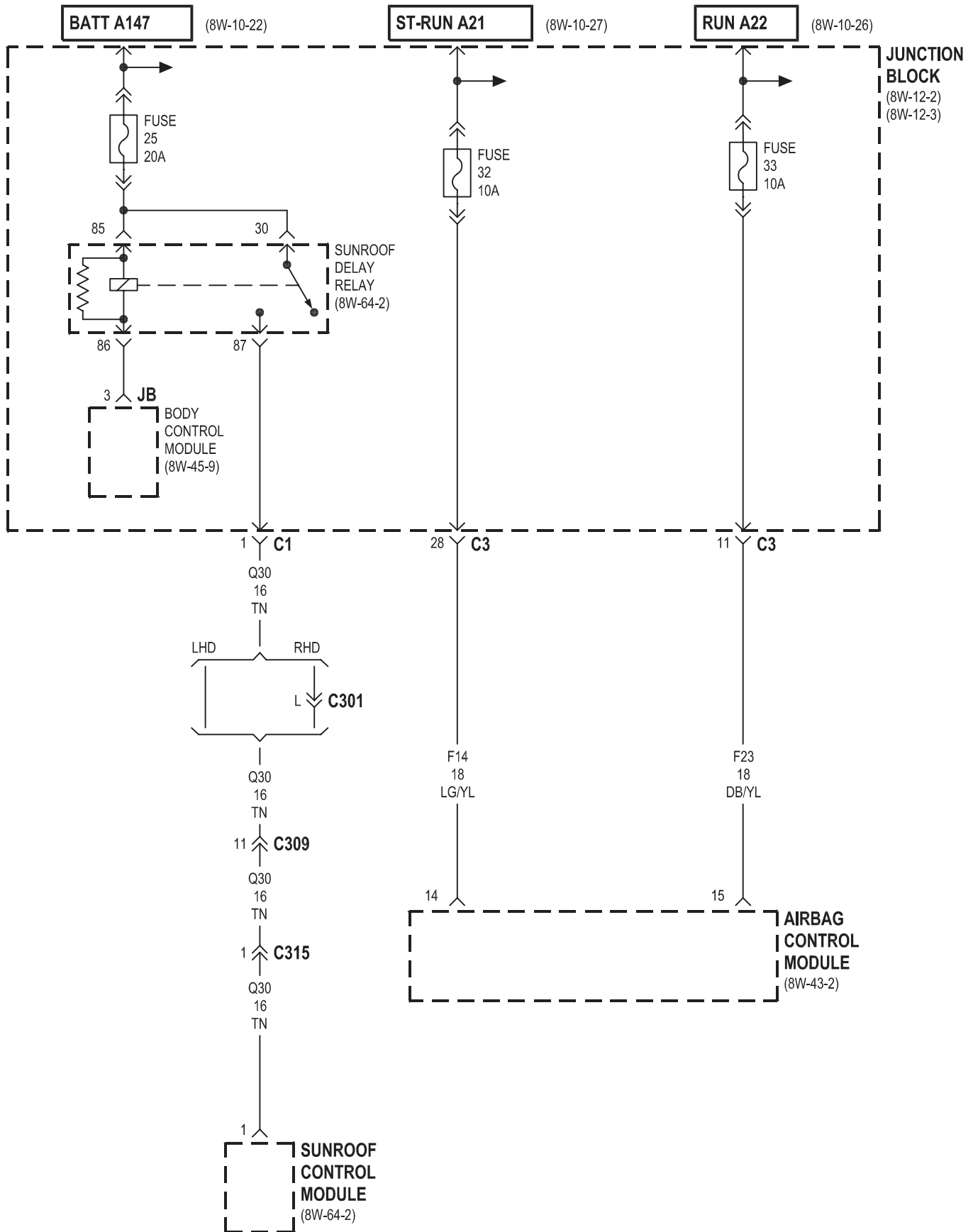


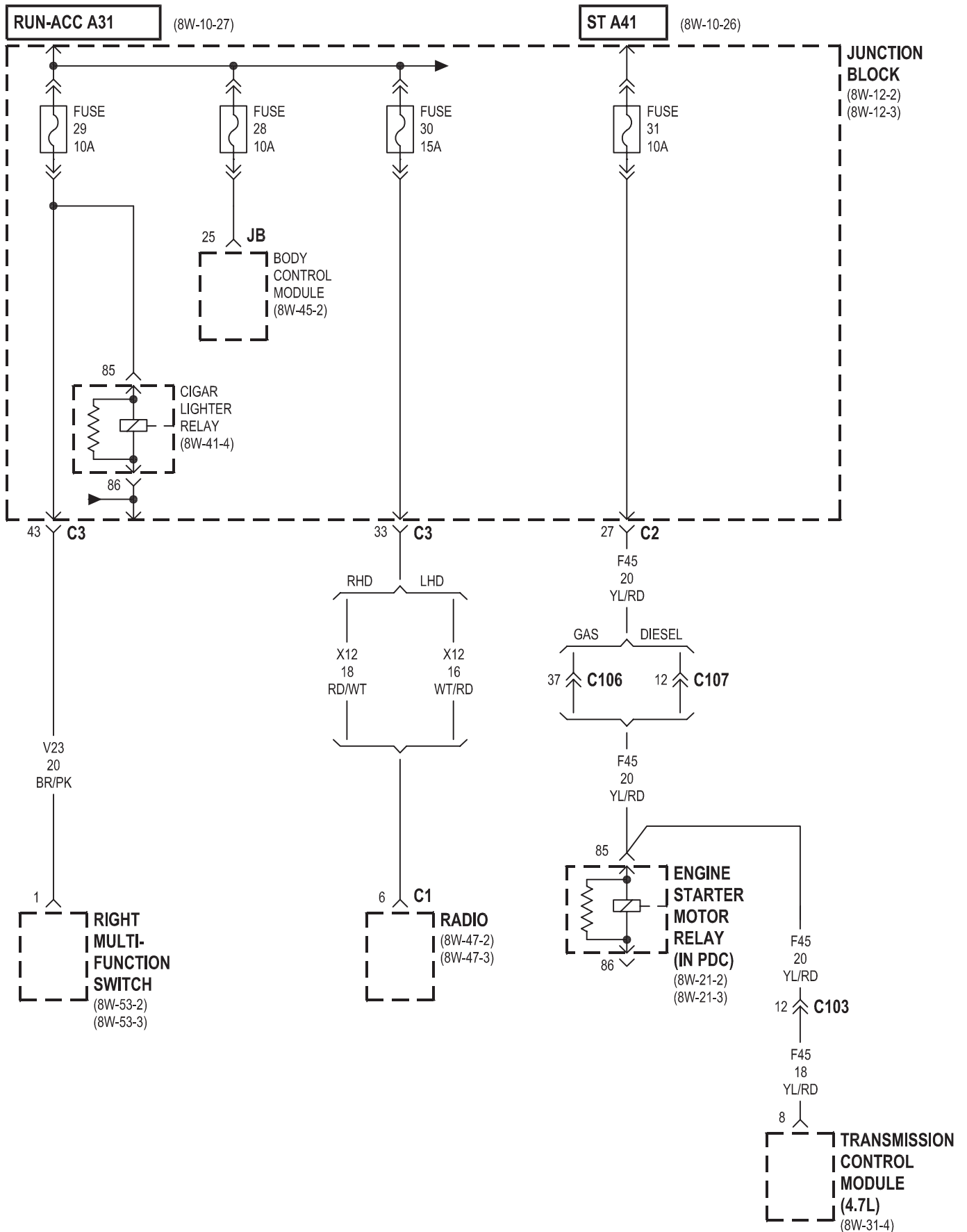


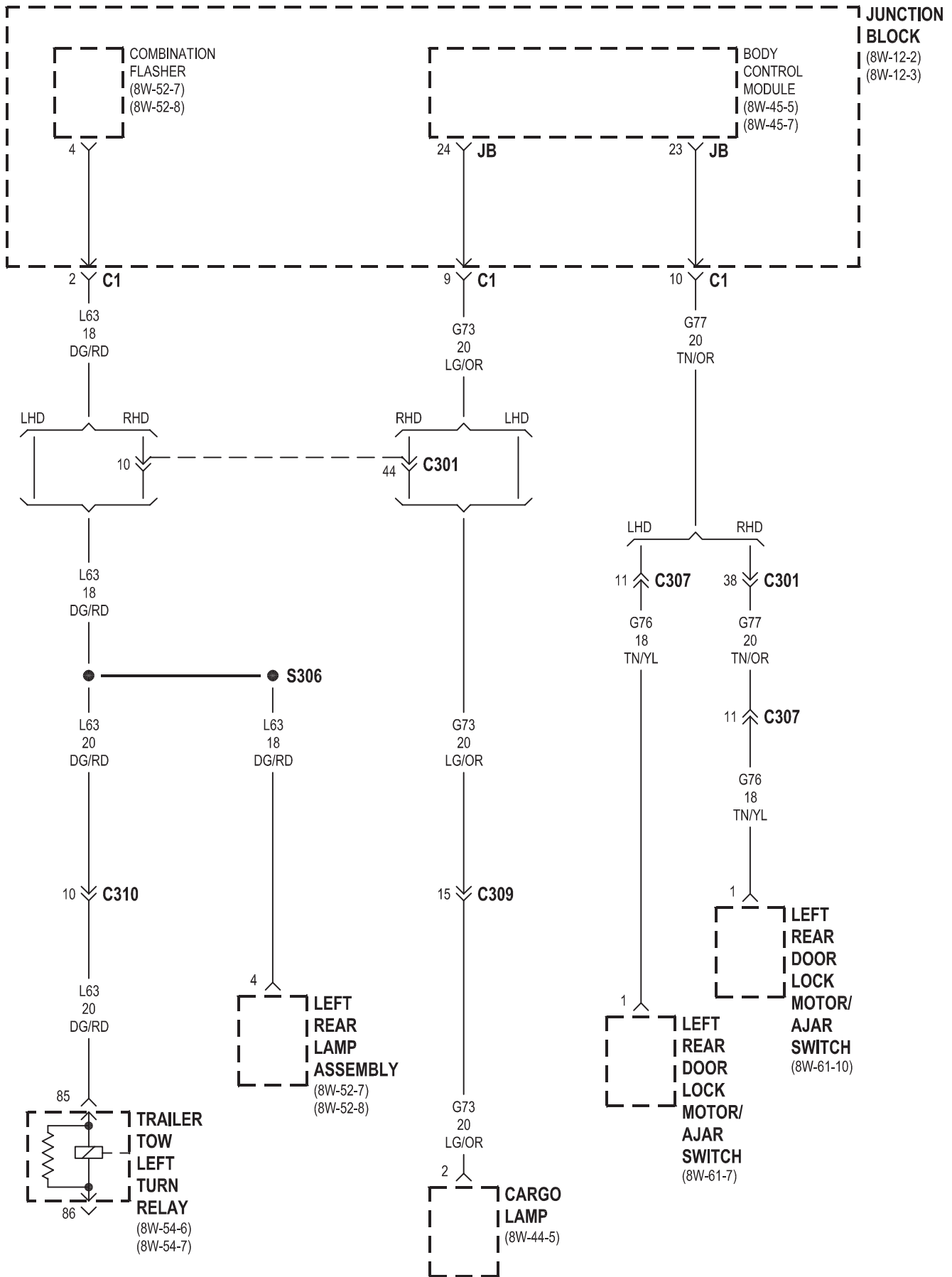




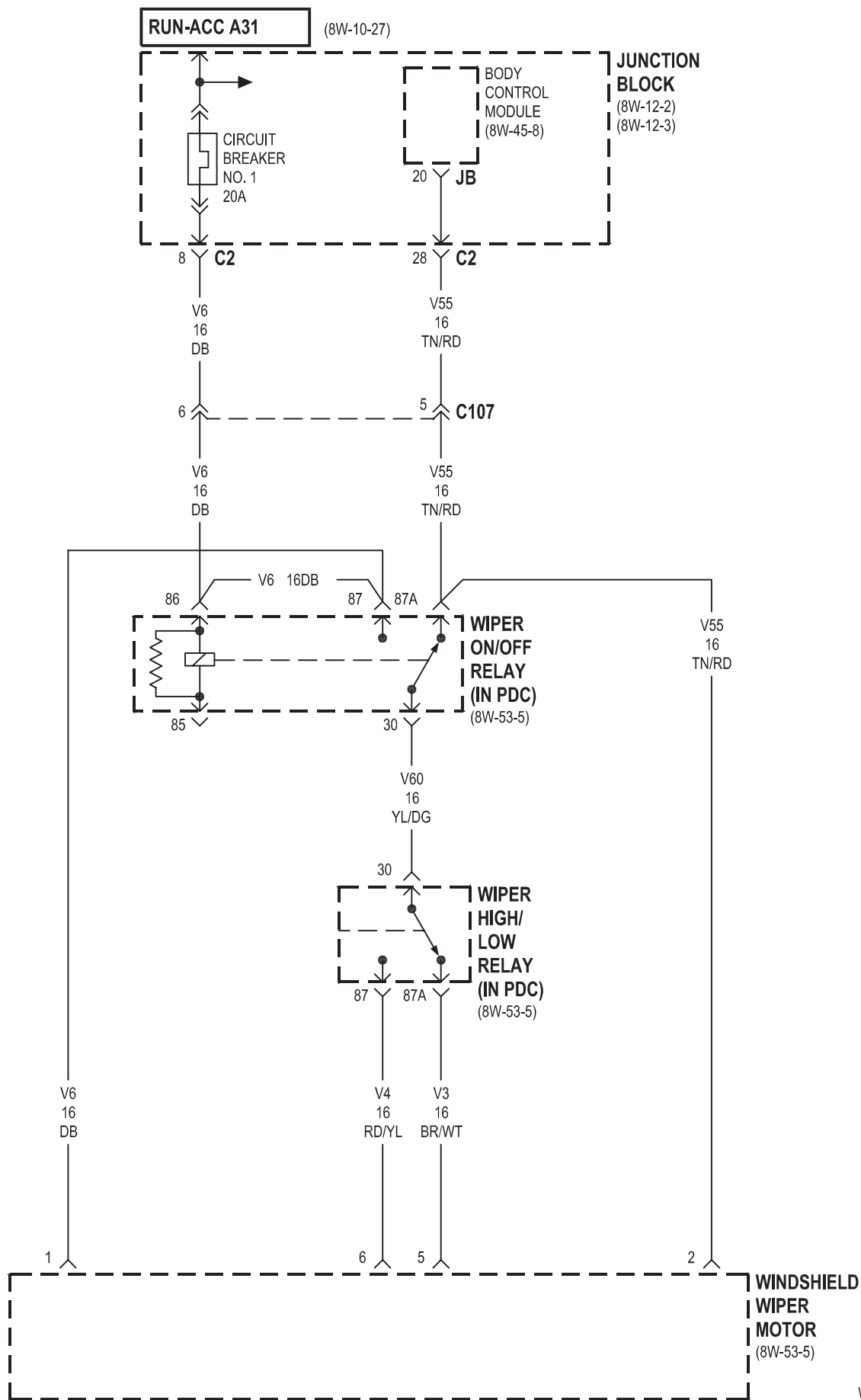




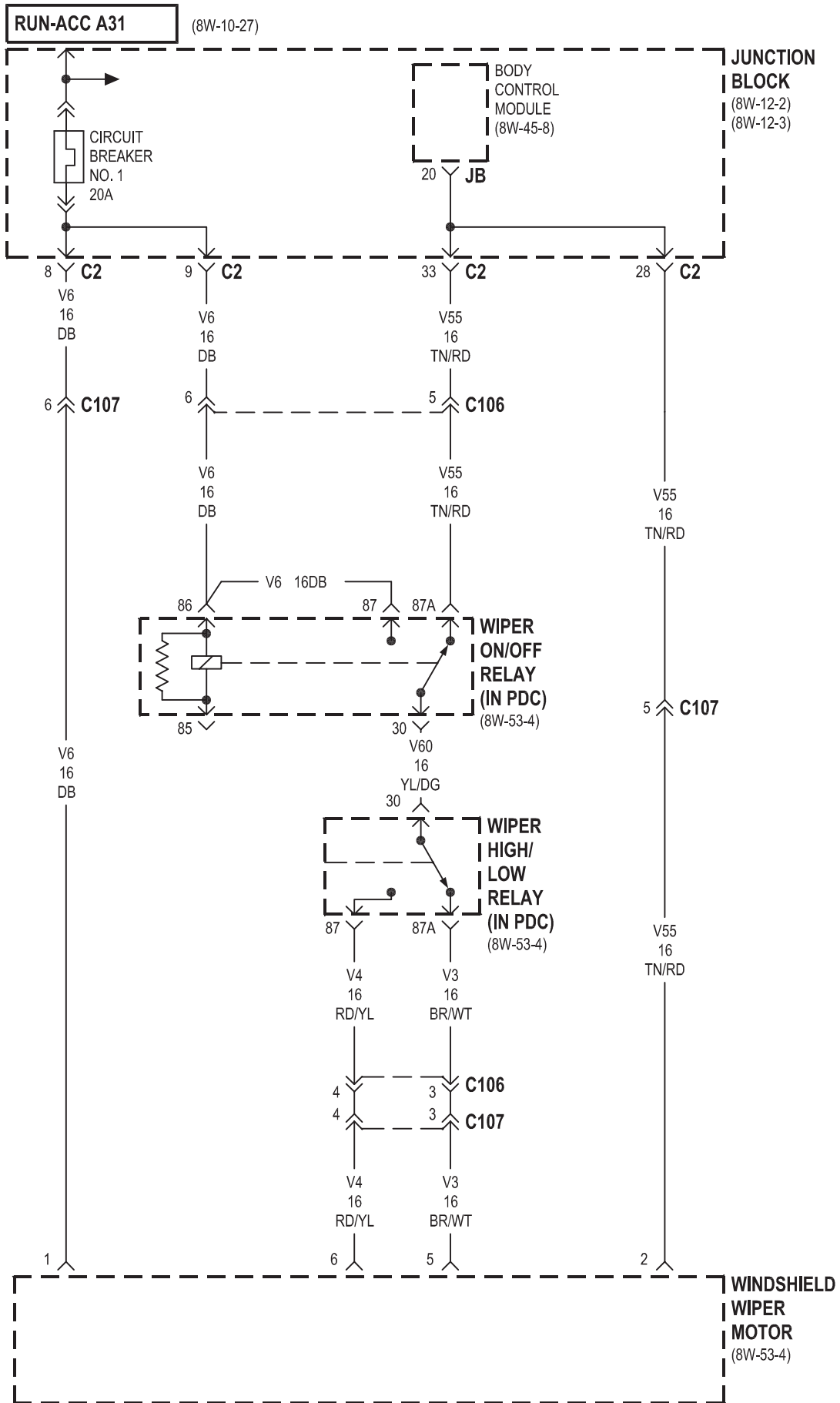


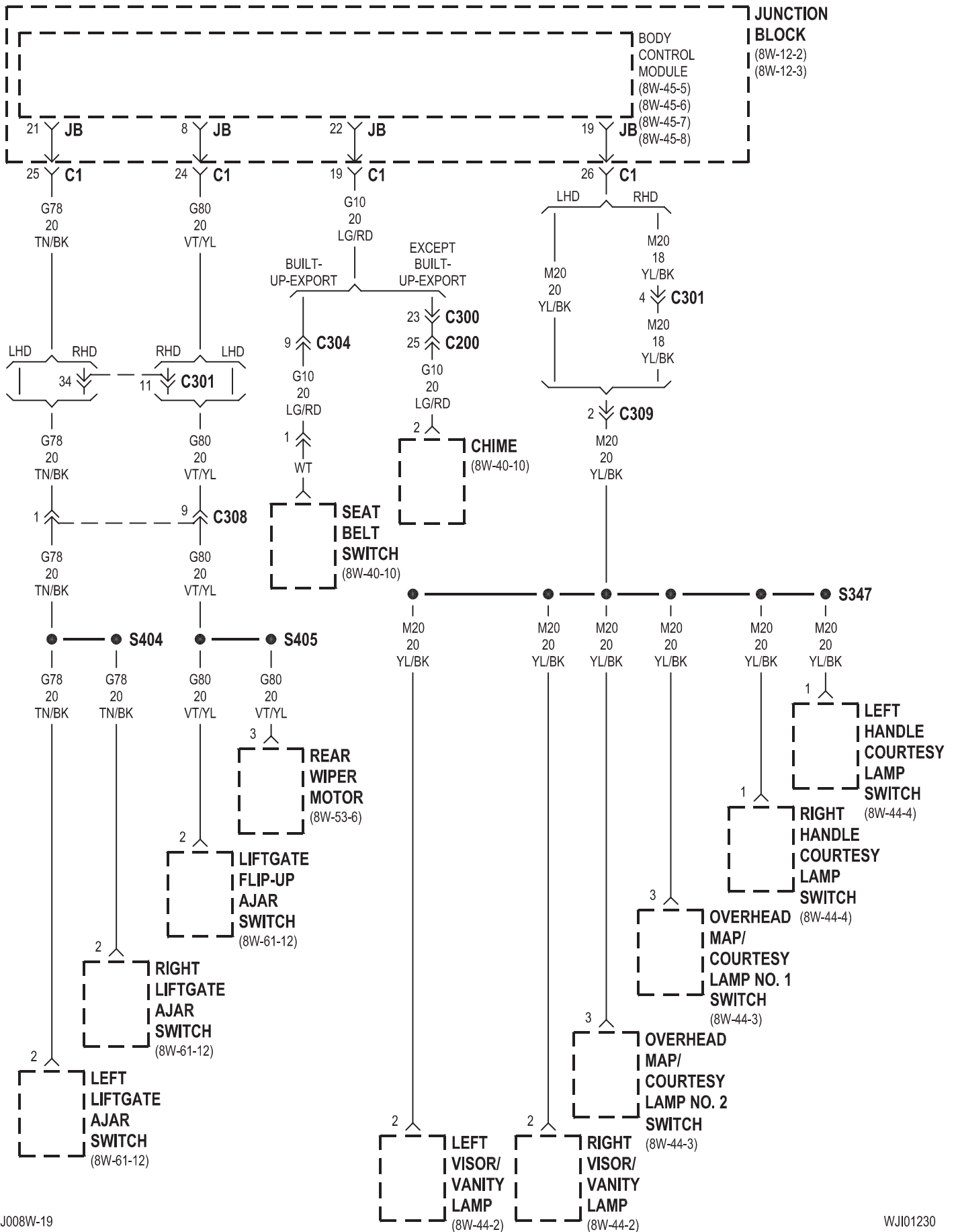


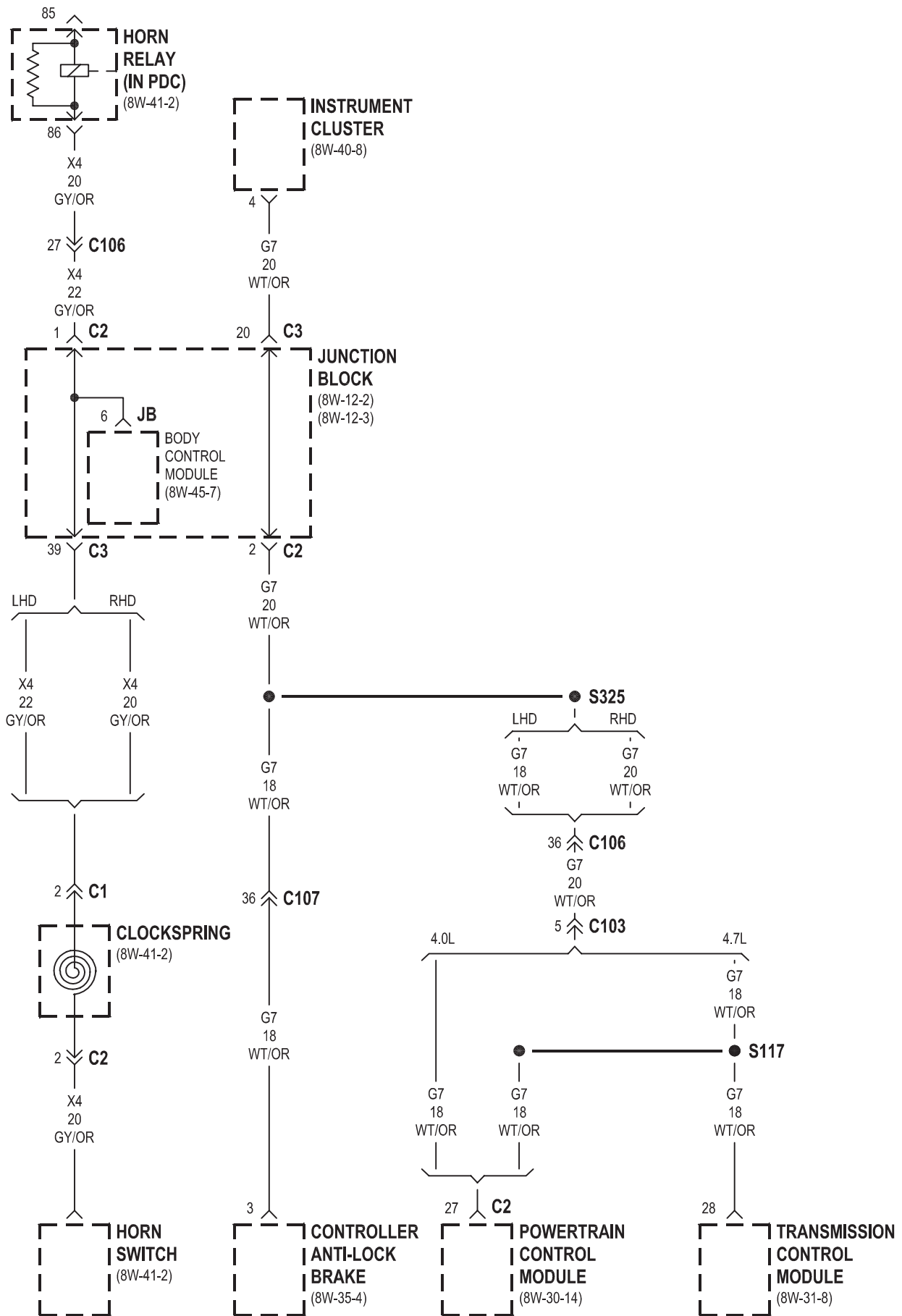
DIESEL

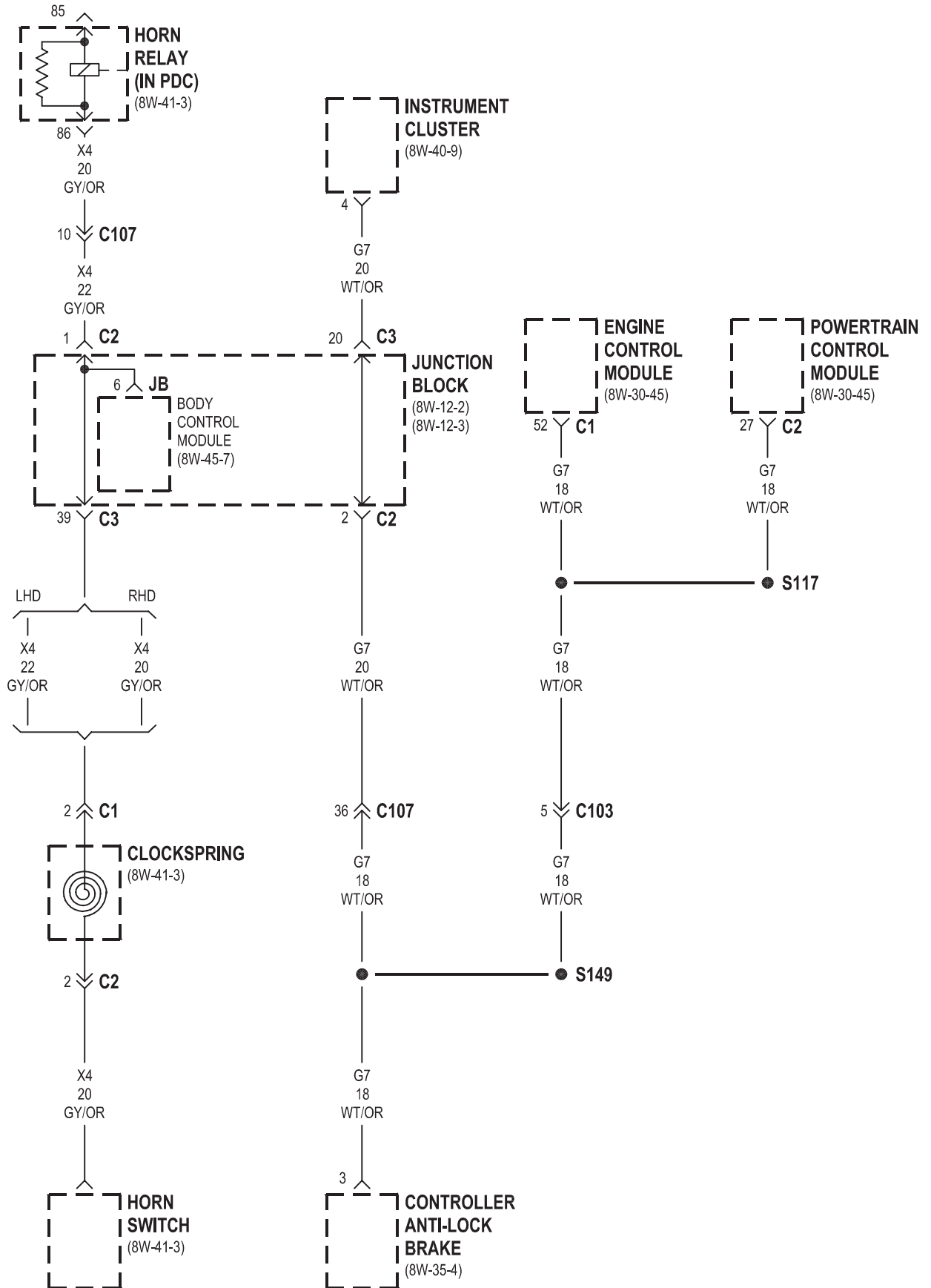


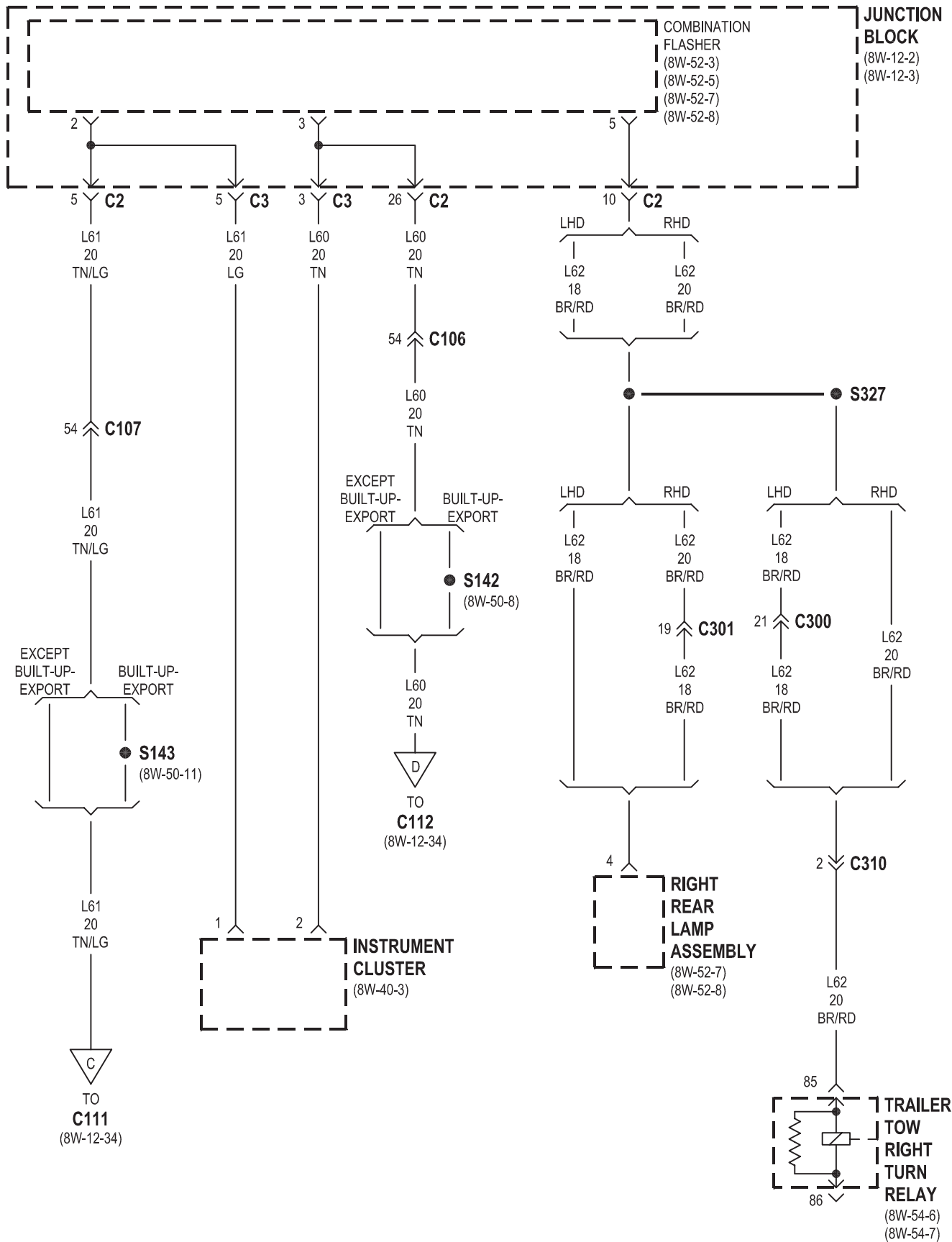
GAS

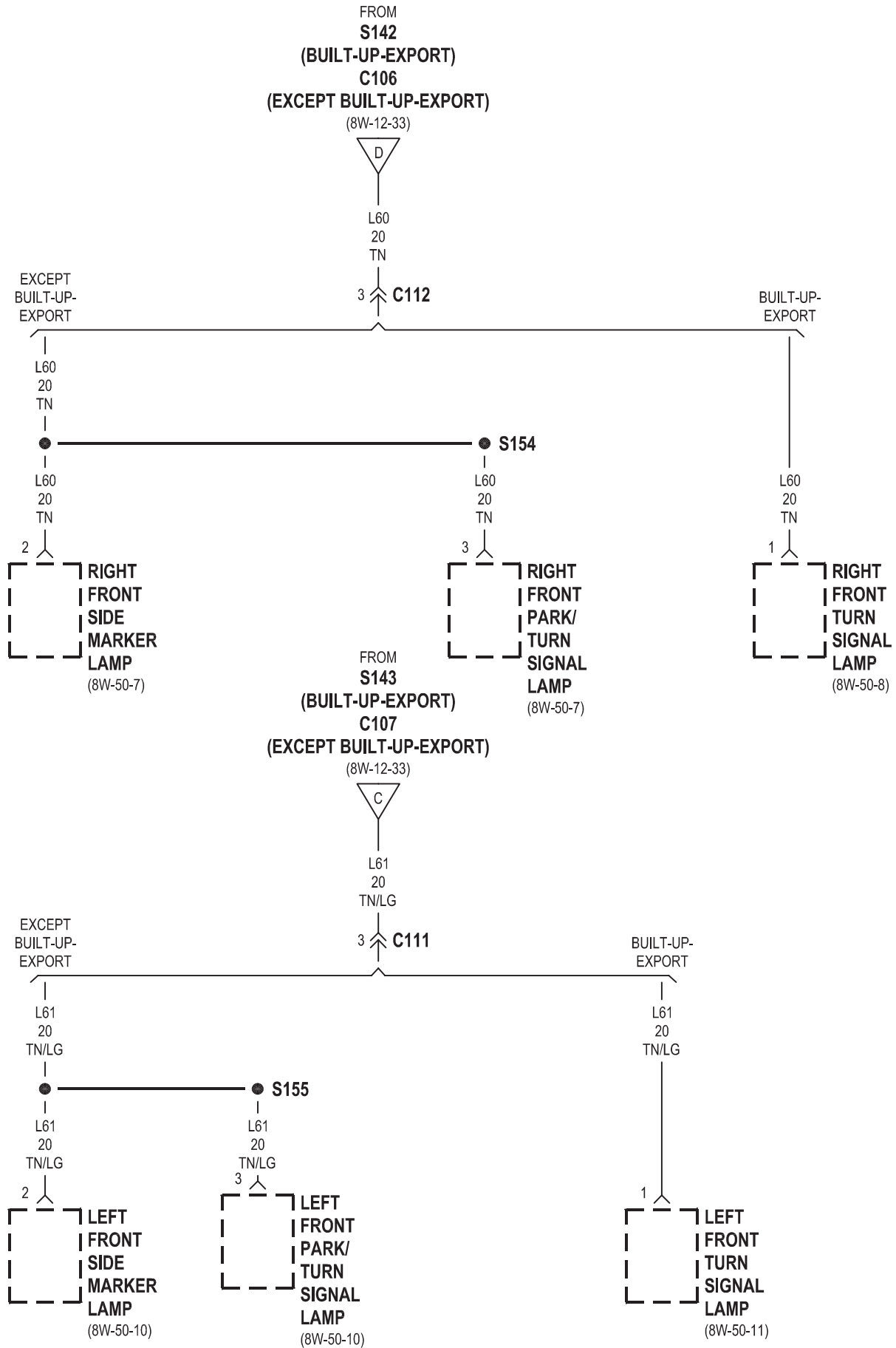


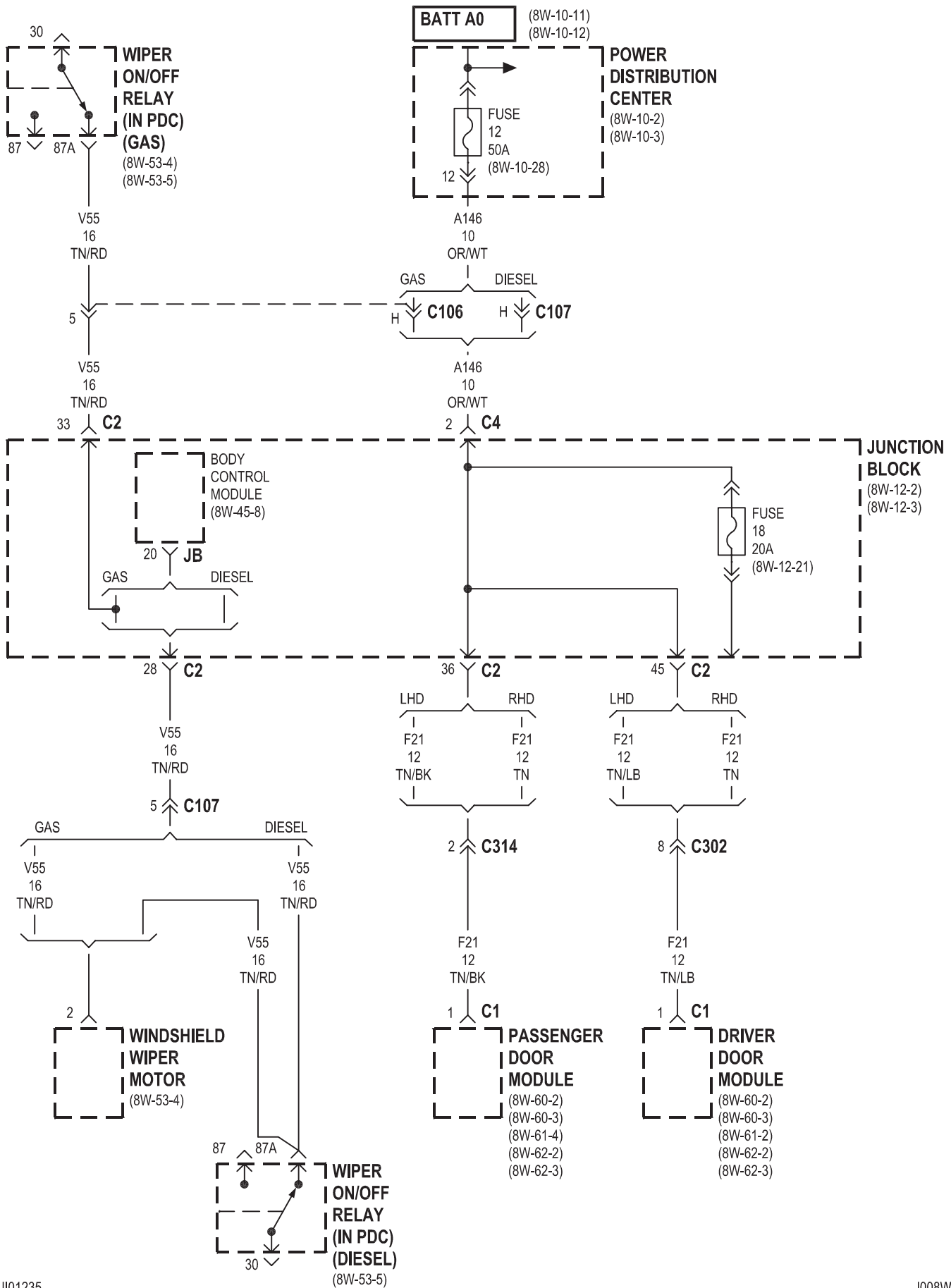


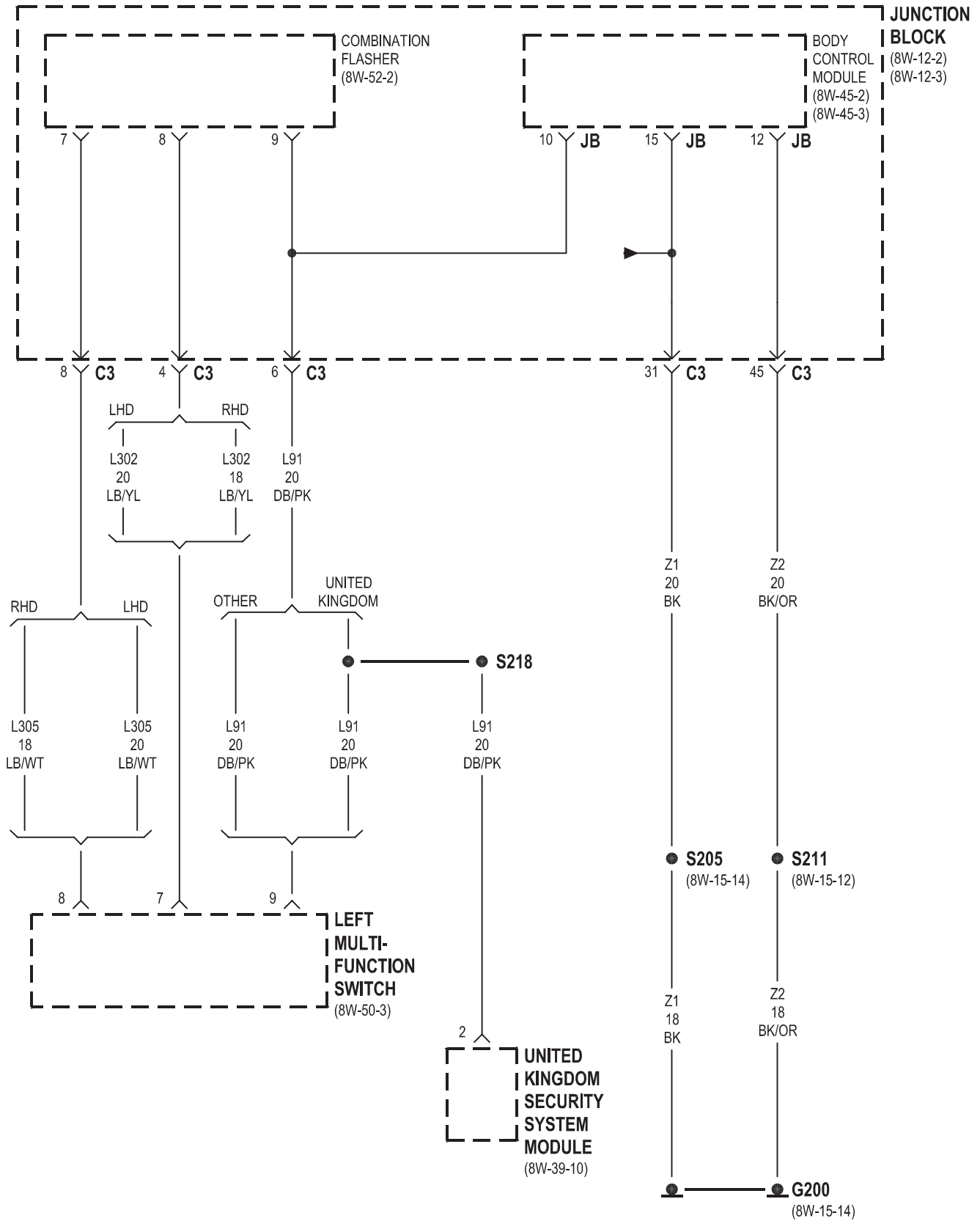


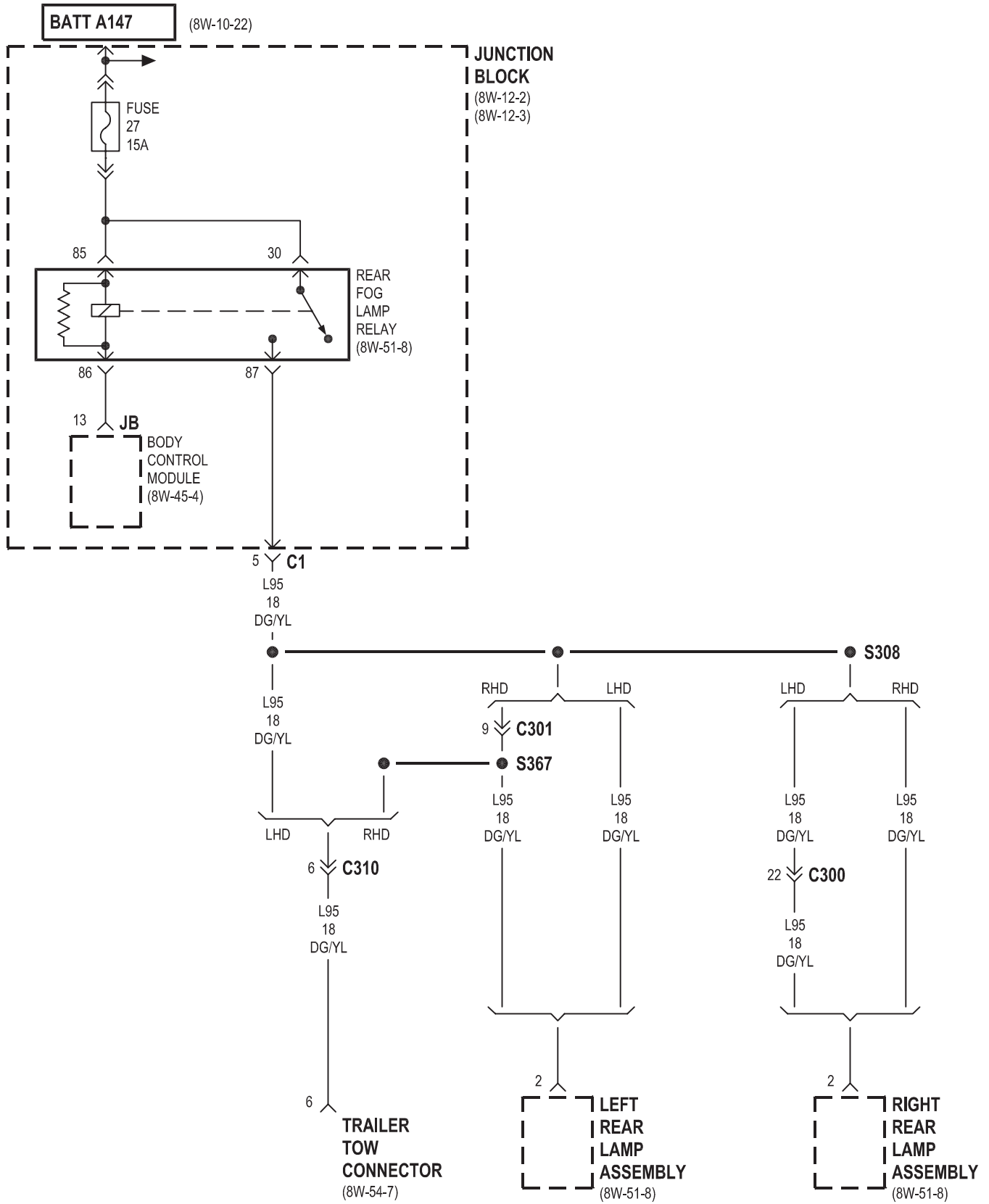








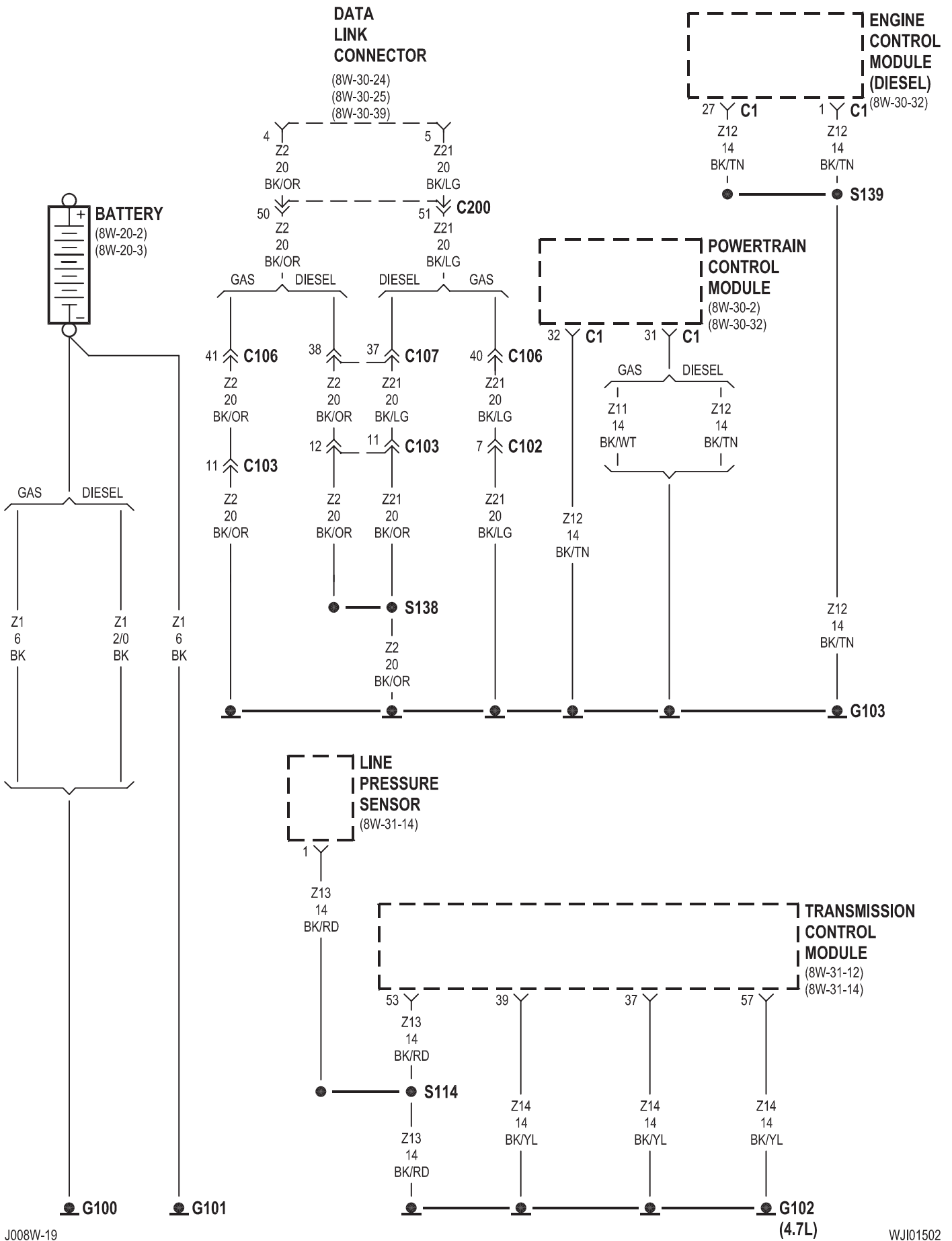


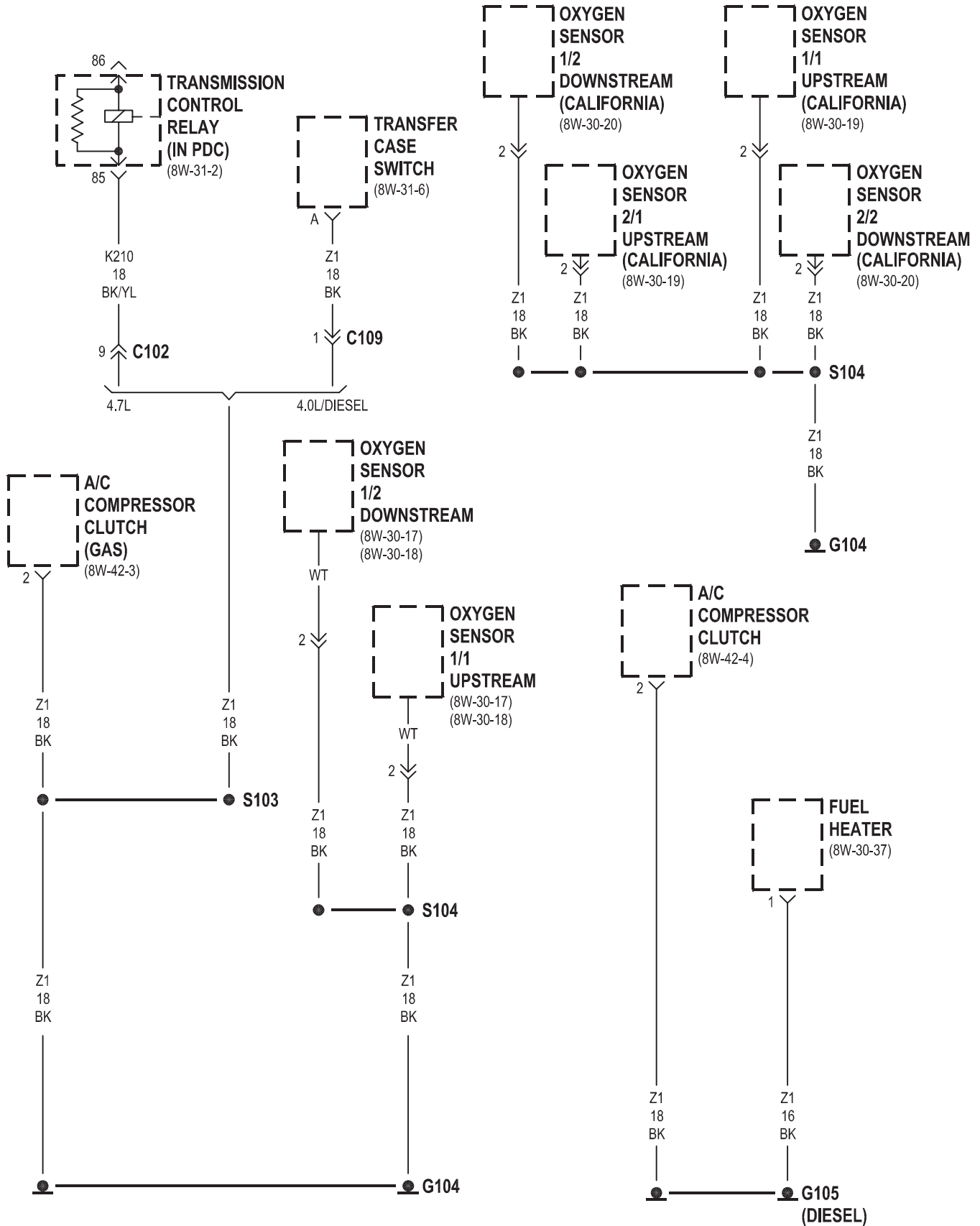


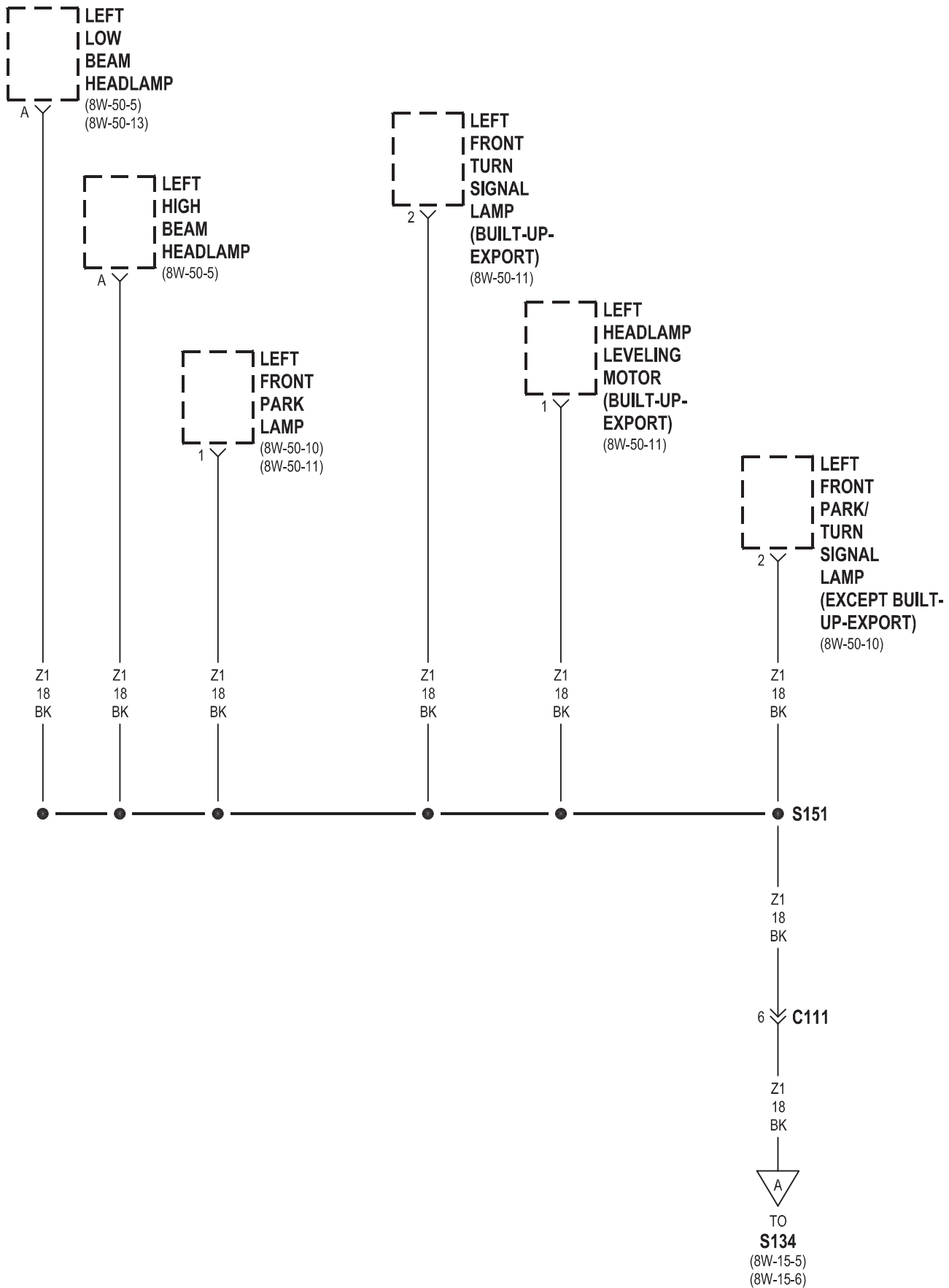
8W-15 GROUND DISTRIBUTION

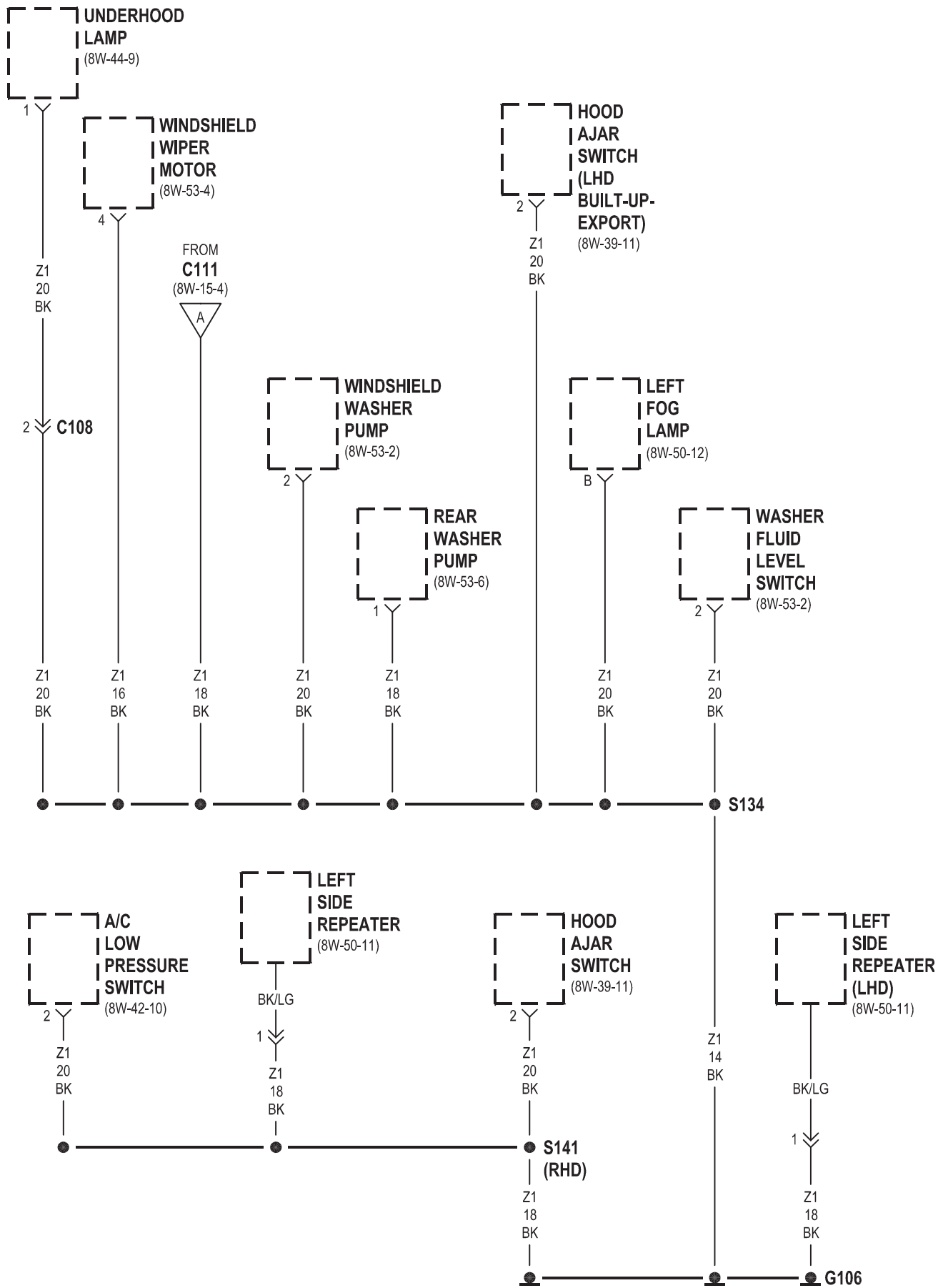
Component	Page
A/C Compressor Clutch	8W-15-3
A/C Low Pressure Switch	8W-15-5, 8, 10
Airbag Control Module	8W-15-15
Ash Receiver Lamp	8W-15-13
Automatic Day/Night Mirror	8W-15-18
Automatic Zone Control Module	8W-15-14
Battery	8W-15-2
Blower Motor Controller	8W-15-14
Body Control Module	8W-15-11, 12, 14
Brake Lamp Switch	8W-15-16, 21
Center High Mounted Stop Lamp	8W-15-19
Chime	8W-15-14
Cigar Lighter	8W-15-13
Cigar Lighter Relay	8W-15-11
Controller Anti-Lock Brake	8W-15-11
Coolant Level Sensor	8W-15-8, 9, 10
Data Link Connector	8W-15-2
Driver Door Cylinder Lock Switch	8W-15-15
Driver Door Lock Motor/Ajar Switch	8W-15-15
Driver Door Module	8W-15-15
Driver Heated Seat Switch	8W-15-13
Driver Lumbar Switch	8W-15-17, 20
Driver Power Seat Switch	8W-15-17, 20
EGR Solenoid	8W-15-10
Engine Control Module	8W-15-2
Front Power Outlet	8W-15-13
Fuel Heater	8W-15-3
Fuel Heater Relay	8W-15-6
Fuel Pump Module	8W-15-18
G100	8W-15-2
G101	8W-15-2
G102	8W-15-2
G103	8W-15-2
G104	8W-15-3
G105	8W-15-3
G106	8W-15-5, 6
G107	8W-15-11
G108	8W-15-8, 9, 10
G200	8W-15-14
G201	8W-15-15
G300	8W-15-1, 17
G301	8W-15-20, 21
Headlamp Leveling Switch	8W-15-14
Hood Ajar Switch	8W-15-5, 6
Horn No. 1	8W-15-8, 9, 10
Horn No. 2	8W-15-8, 9, 10
Ignition Switch	8W-15-14
Instrument Cluster	8W-15-12, 13
Junction Block	8W-15-11, 12
Left Fog Lamp	8W-15-5, 6
Left Front Park Lamp	8W-15-4
Left Front Park/Turn Signal Lamp	8W-15-4
Left Front Turn Signal Lamp	8W-15-4
Left Headlamp Leveling Motor	8W-15-4
Left High Beam Headlamp	8W-15-4
Left Liftgate Ajar Switch	8W-15-19
Left Low Beam Headlamp	8W-15-4
Left Multi- Function Switch	8W-15-14
Left Rear Door Lock Motor/Ajar Switch	8W-15-20, 21
Left Rear Lamp Assembly	8W-15-18
Left Rear Power Window Switch	8W-15-20, 21
Left Side Repeater	8W-15-5, 6
License Lamp No. 1	8W-15-19
License Lamp No. 2	8W-15-19
Liftgate Flip-Up Ajar Switch	8W-15-19
Liftgate Flip-Up Release Solenoid	8W-15-19

Component	Page
Line Pressure Sensor	8W-15-2
Low Beam/Daytime Running Lamp Relay	8W-15-11
Manual Temperature Control	8W-15-12, 14
Overdrive Switch	8W-15-13, 14
Oxygen Sensor 1/1 Upstream	8W-15-3
Oxygen Sensor 1/2 Downstream	8W-15-3
Oxygen Sensor 2/1 Upstream	8W-15-3
Oxygen Sensor 2/2 Downstream	8W-15-3
Park Lamp Relay	8W-15-11
Passenger Door Lock Motor/Ajar Switch	8W-15-15
Passenger Door Module	8W-15-15
Passenger Heated Seat Switch	8W-15-13
Passenger Lumbar Switch	8W-15-16, 21
Passenger Power Seat Switch	8W-15-16, 21
Power Amplifier	8W-15-16, 17
Power Connector	8W-15-13, 14
Powertrain Control Module	8W-15-2
PRNDL/Transfer Case Illumination	8W-15-14
Radiator Fan Motor	8W-15-6, 8, 9
Radiator Fan Relay	8W-15-6, 8, 9
Radio	8W-15-16, 17
Rear Power Outlet	8W-15-16, 17
Rear Washer Pump	8W-15-5, 6
Rear Window Defogger	8W-15-19
Rear Wiper Motor	8W-15-19
Remote Keyless Module	8W-15-15
Right Fog Lamp	9, 10
Right Front Park Lamp	8W-15-7
Right Front Park/Turn Signal Lamp	8W-15-7
Right Front Turn Signal Lamp	8W-15-7
Right Headlamp Leveling Motor	8W-15-7
Right High Beam Headlamp	8W-15-7
Right Liftgate Ajar Switch	8W-15-19
Right Low Beam Headlamp	8W-15-7
Right Rear Door Lock Motor/Ajar Switch	8W-15-15, 17
Right Rear Lamp Assembly	8W-15-16, 17
Right Rear Power Window Switch	8W-15-15, 17
Right Side Repeater	8W-15-8, 9, 10
Seat Belt Switch	8W-15-17, 20
Seat Module	8W-15-17, 20
Sentry Key Immobilizer Module	8W-15-12
Sunroof Control Module	8W-15-18
Sunroof Motor Position Sensor	8W-15-18
Sunroof Switch	8W-15-18
Temperature Valve Actuator	8W-15-12
Trailer Tow Brake Lamp Relay	8W-15-18
Trailer Tow Connector	8W-15-18
Trailer Tow Left Turn Relay	8W-15-18
Trailer Tow Right Turn Relay	8W-15-18
Transfer Case Switch	8W-15-3
Transmission Control Module	8W-15-2
Transmission Control Relay	8W-15-3
Underhood Lamp	6
United Kingdom Security System Module	8W-15-14
Vehicle Information Center	8W-15-20, 21
Vehicle Speed Control Servo	8W-15-6, 8, 9
Washer Fluid Level Switch	8W-15-5, 6
Windshield Washer Pump	8W-15-5, 6
Windshield Wiper Motor	8W-15-5, 6
Wiper High/Low Relay	8W-15-6, 8, 9

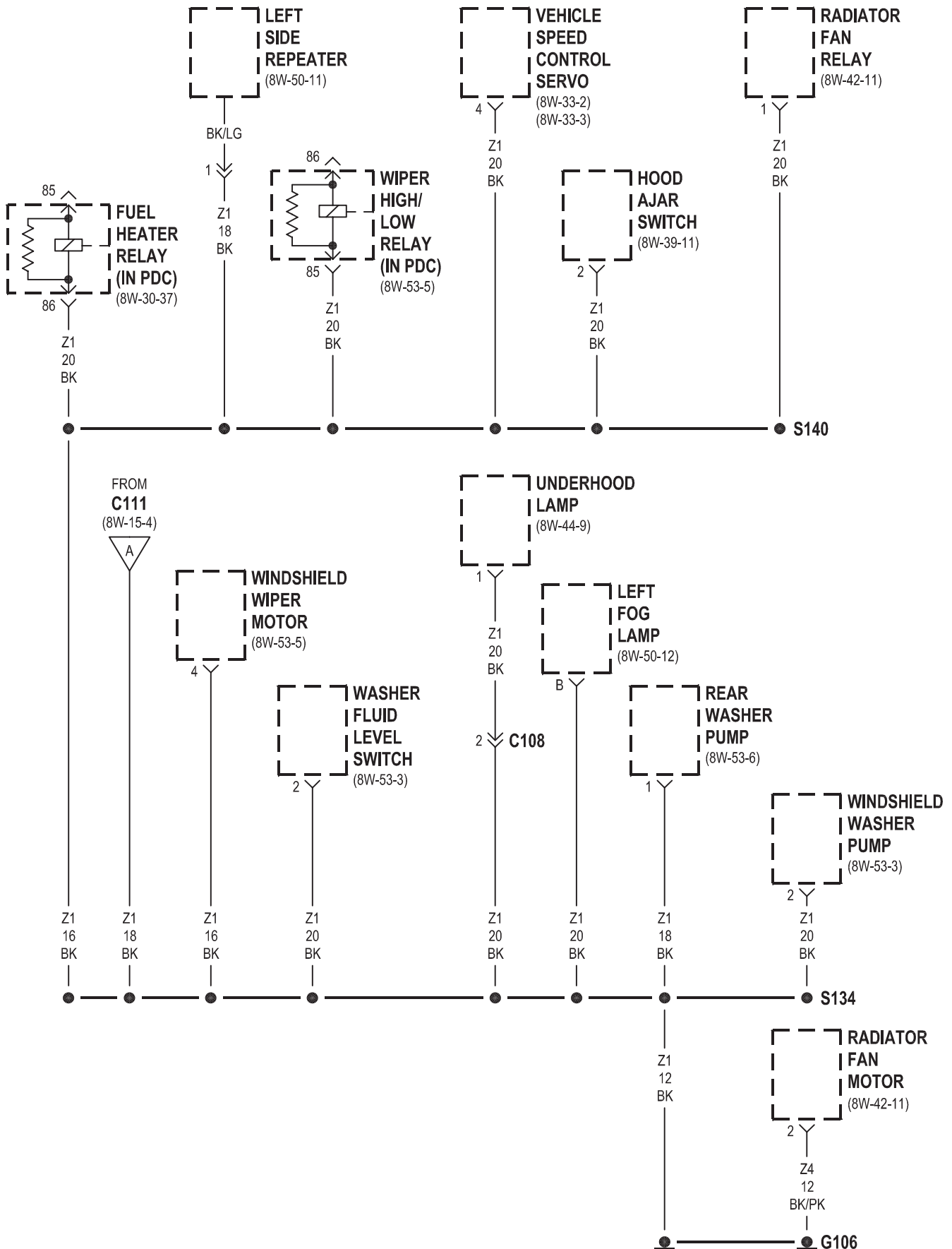


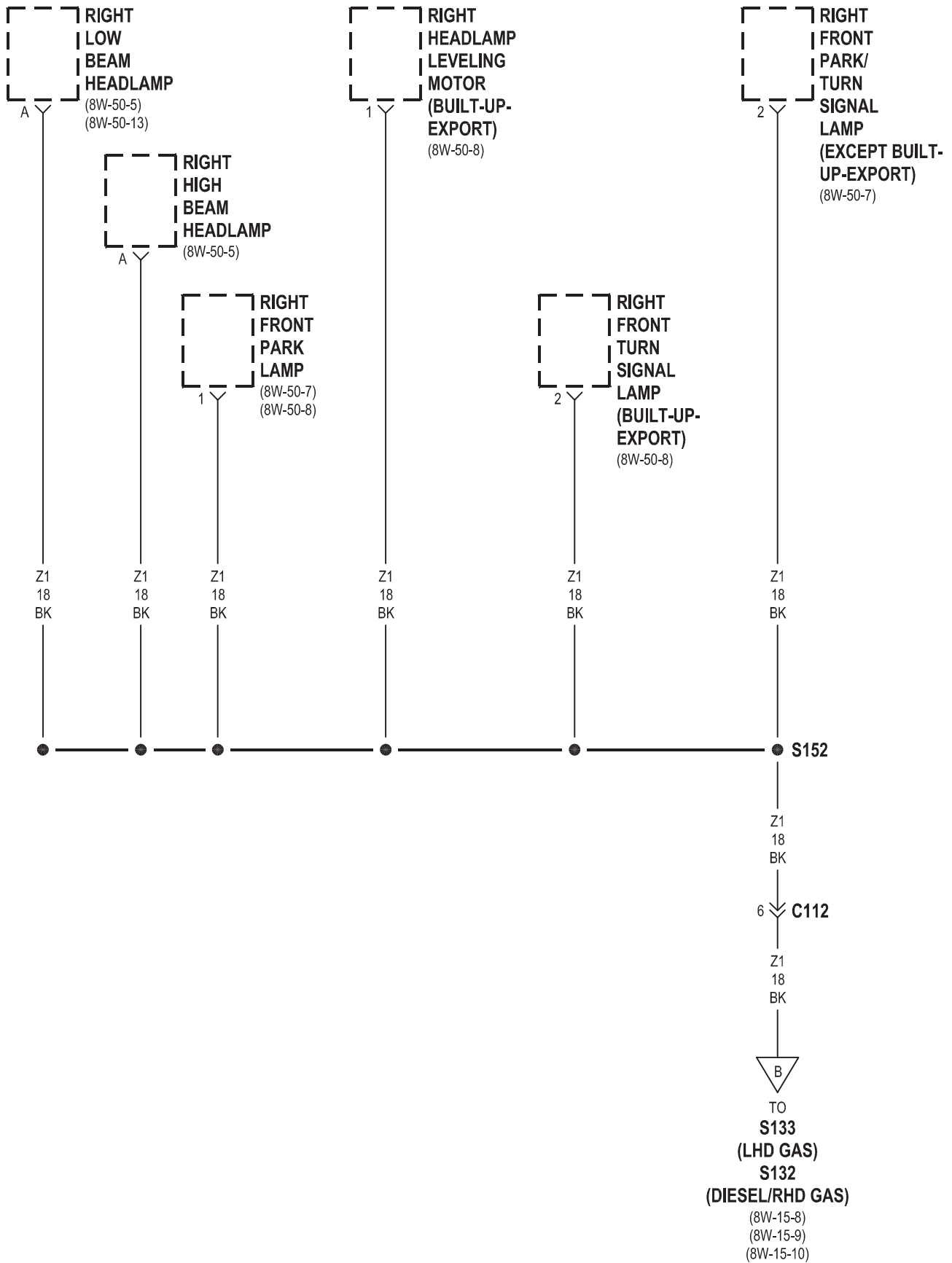


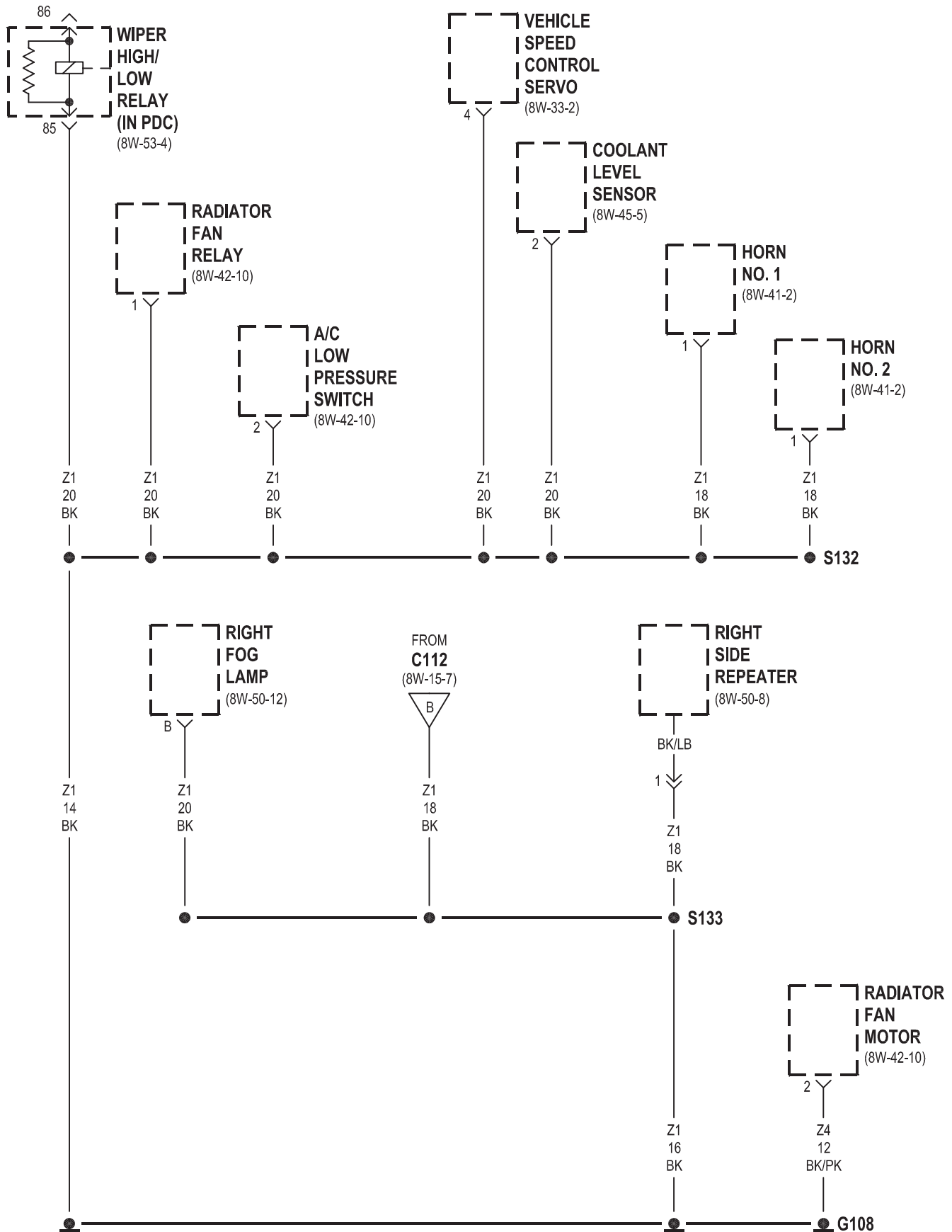


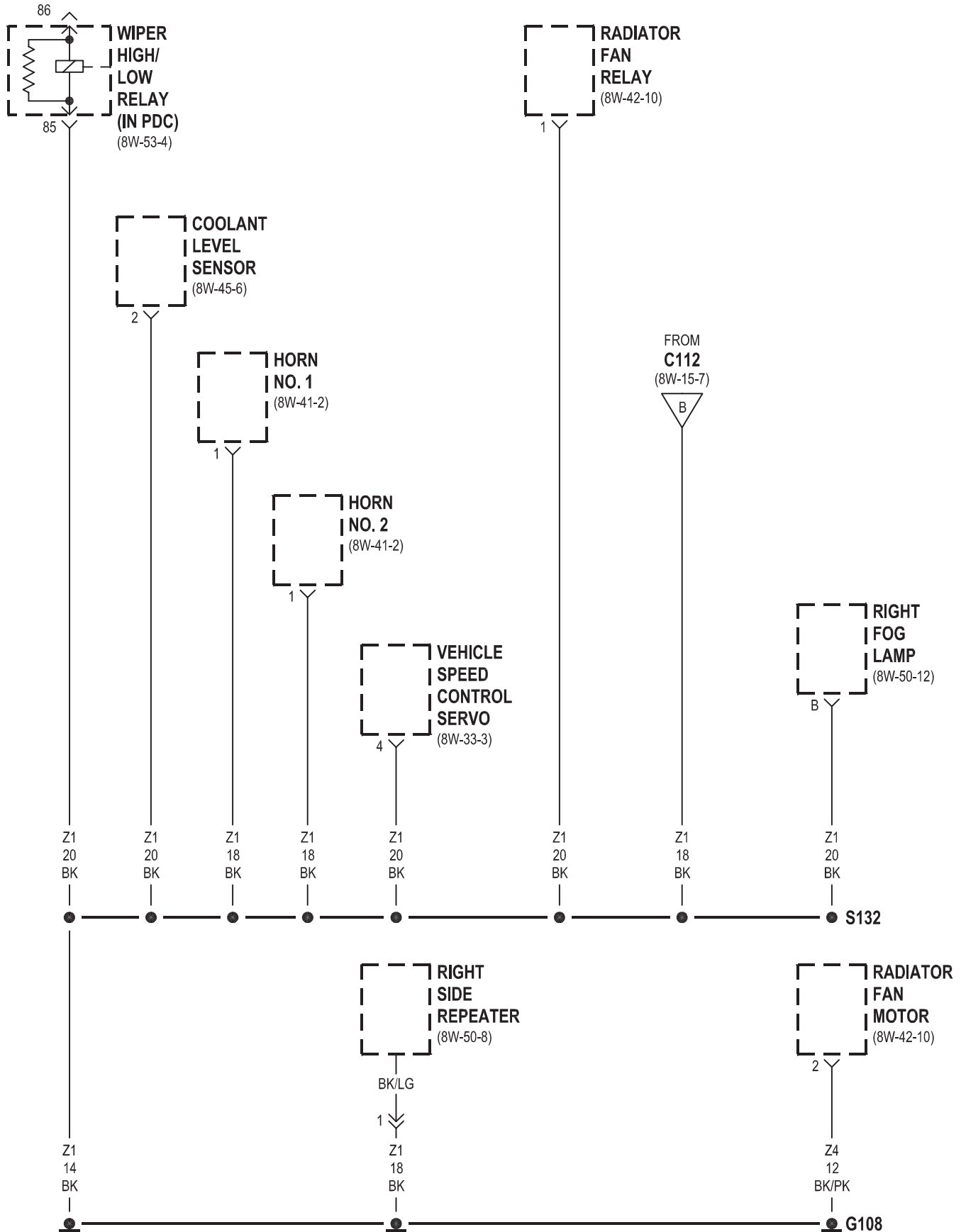


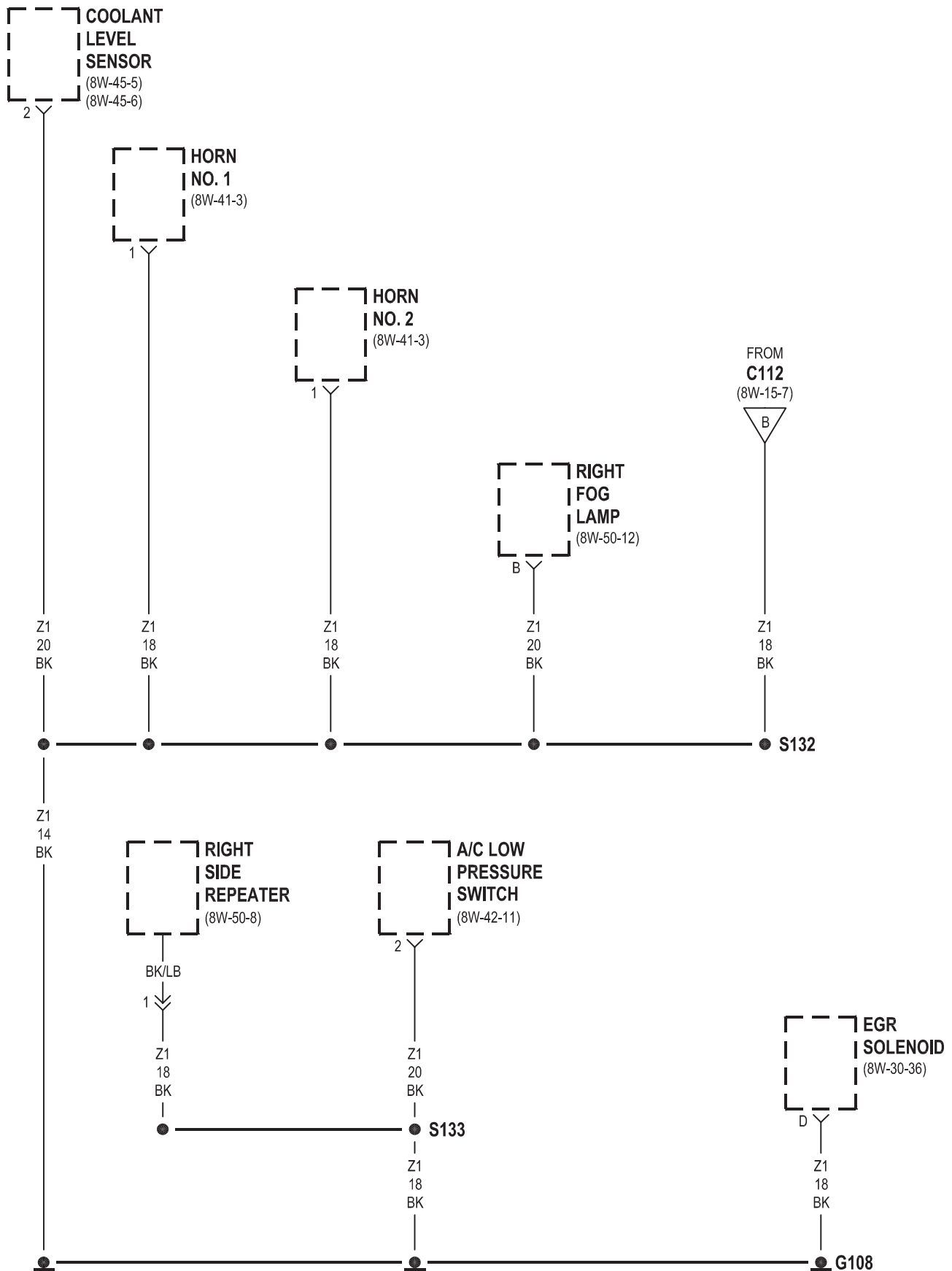
DIESEL

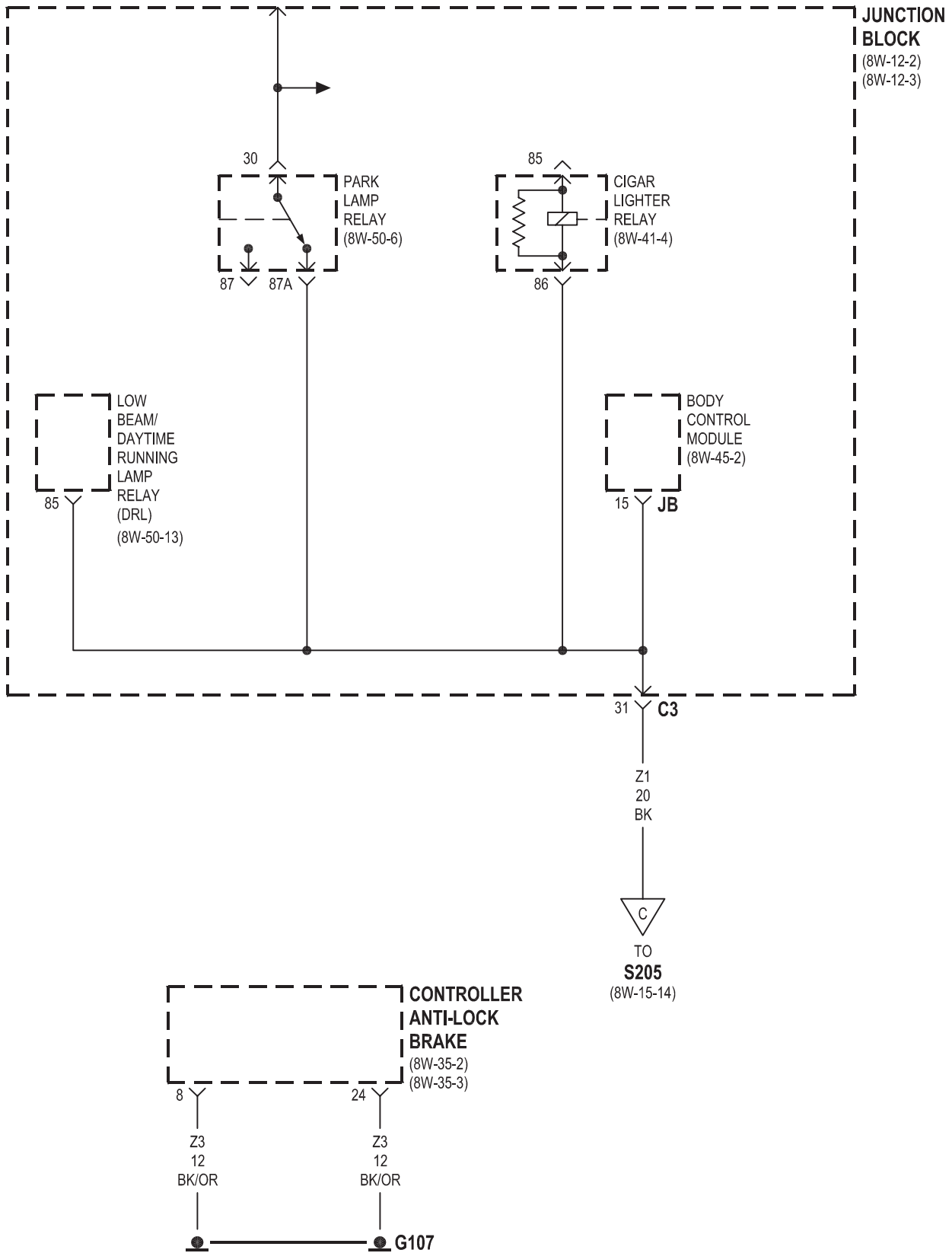


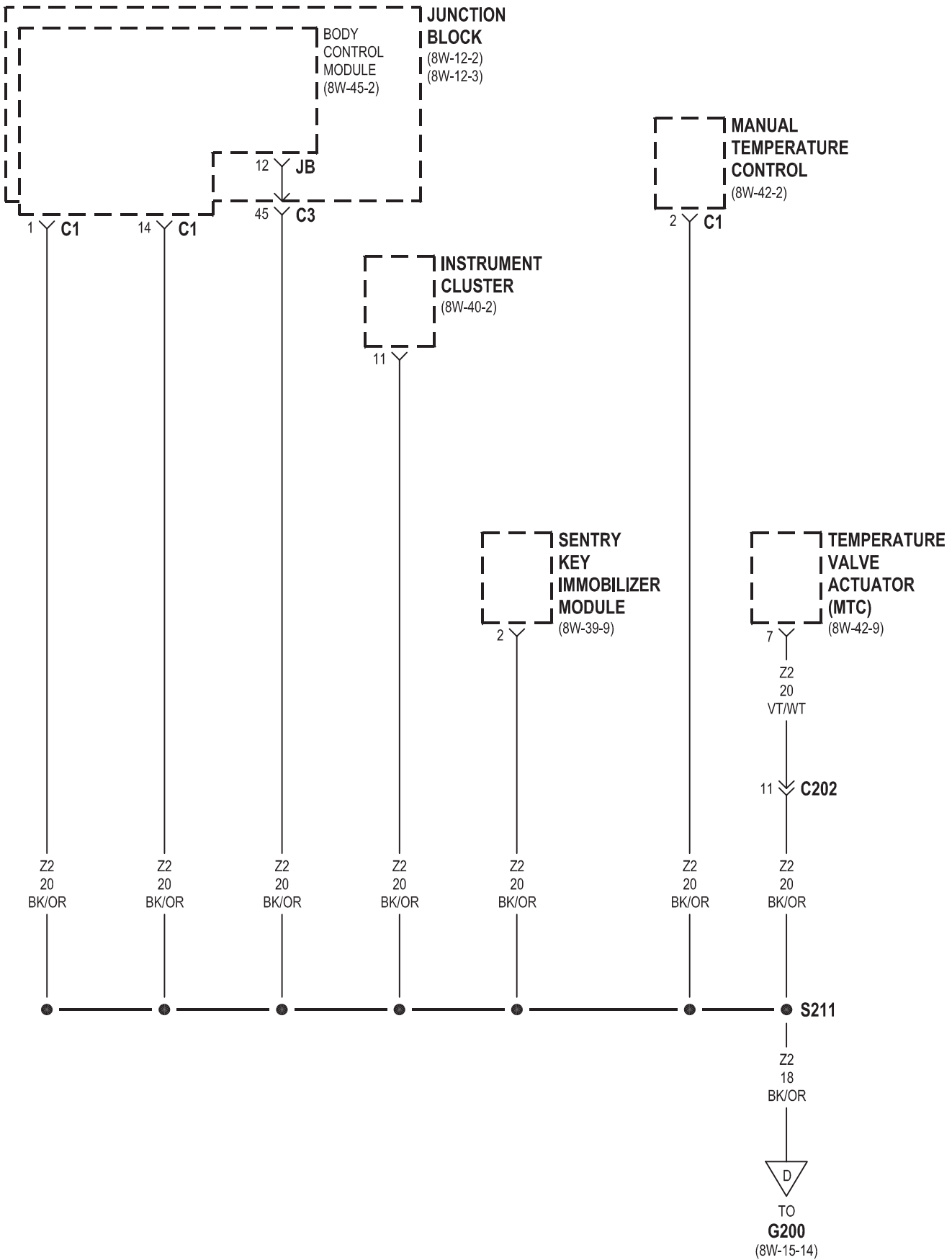


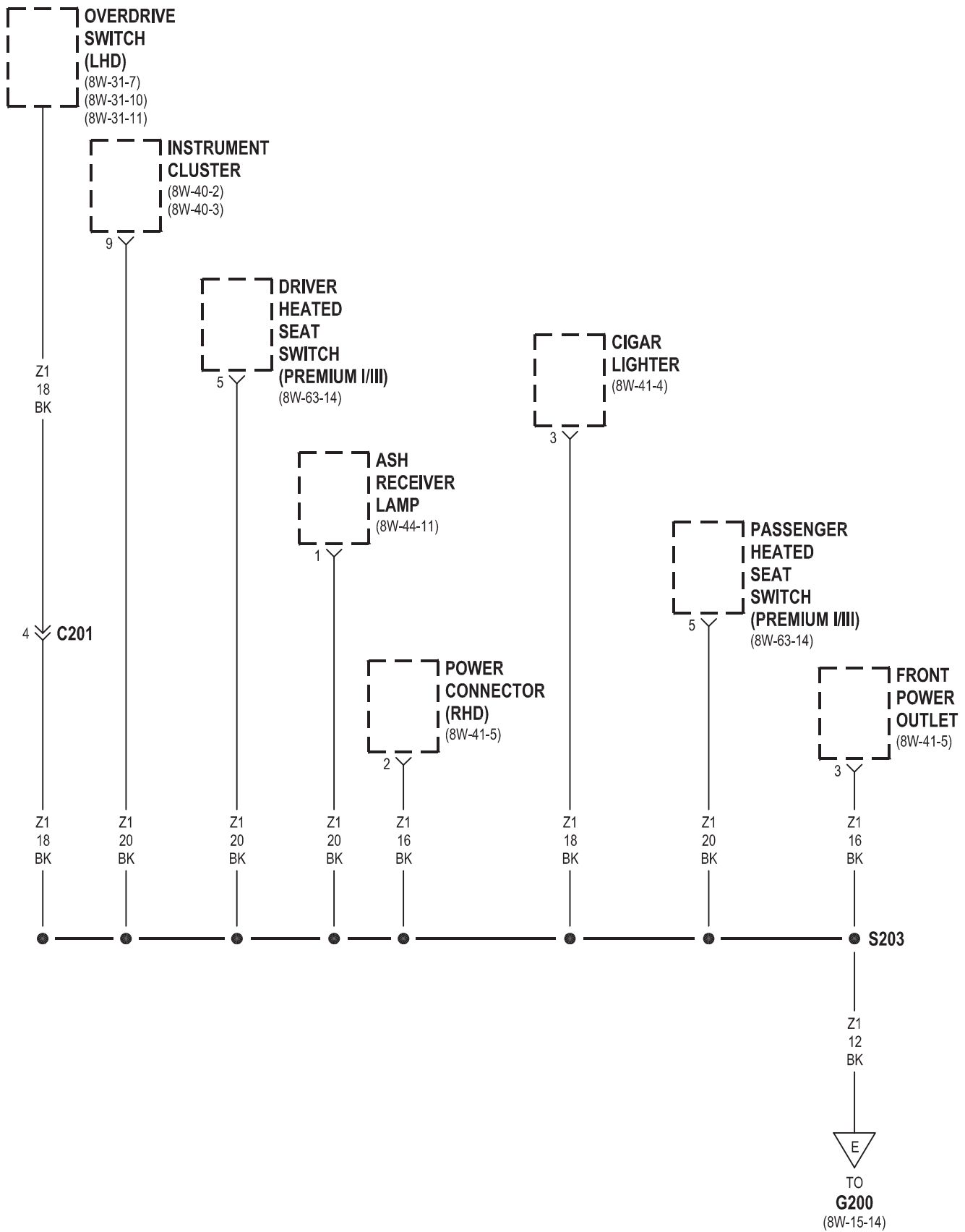


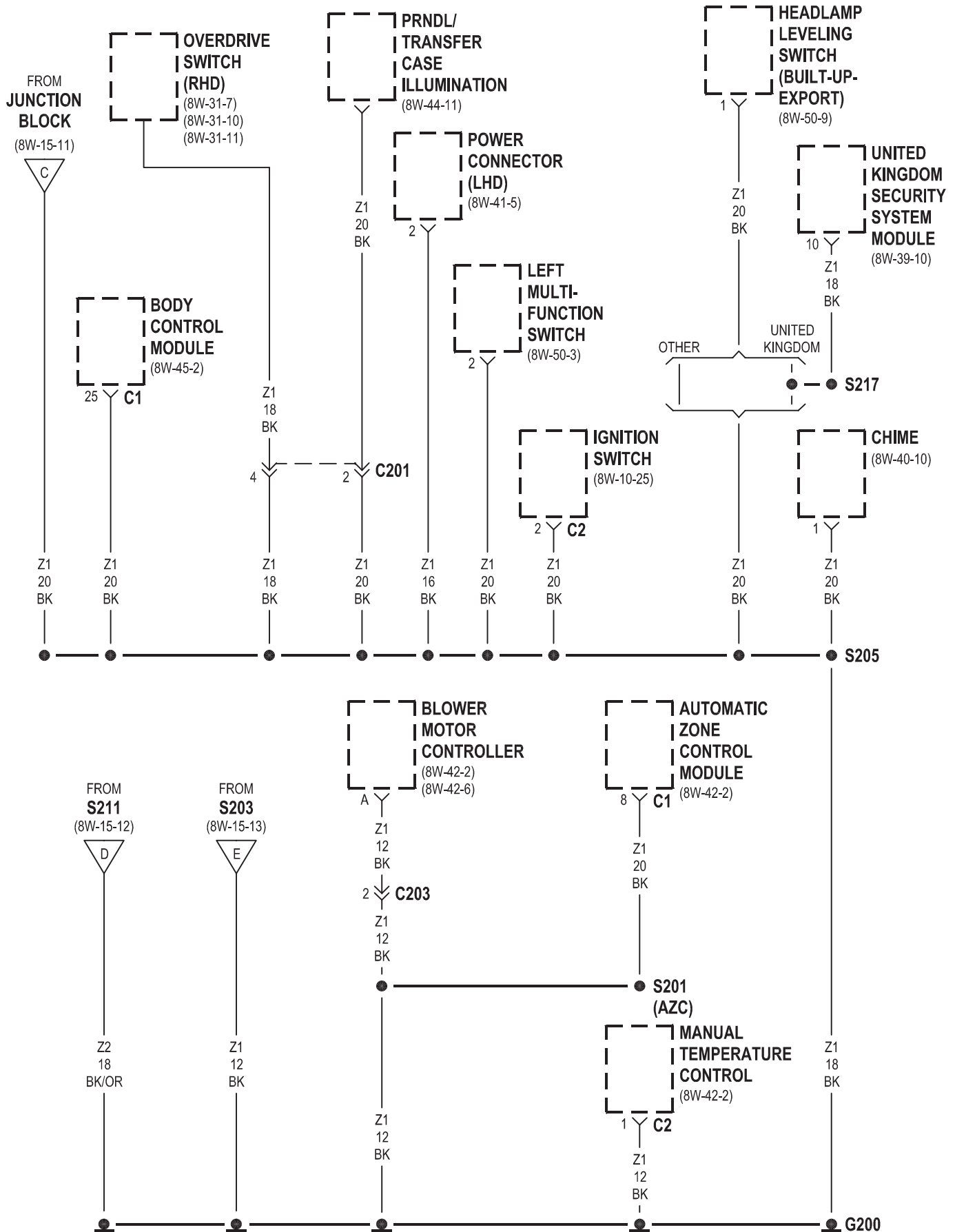


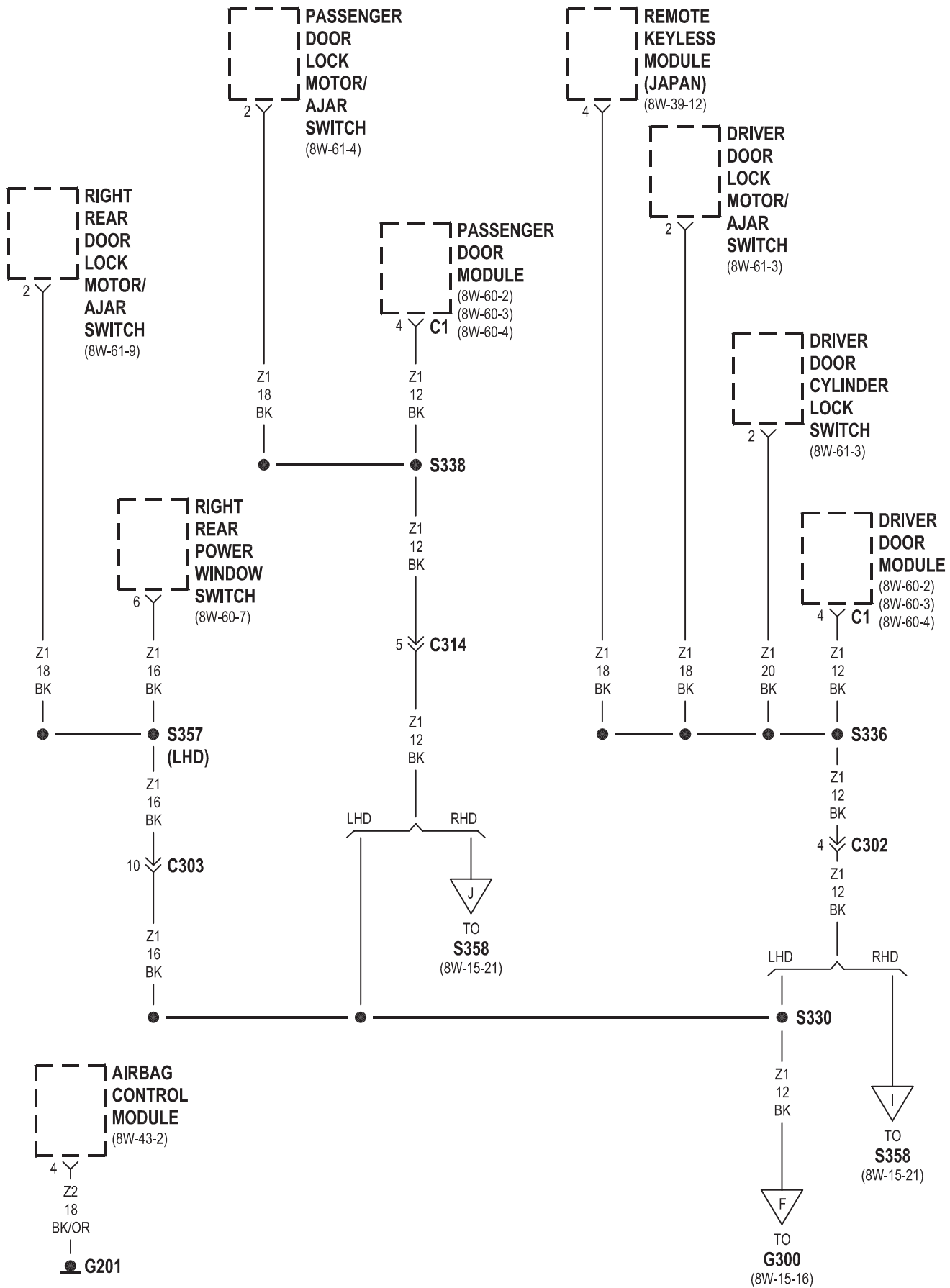


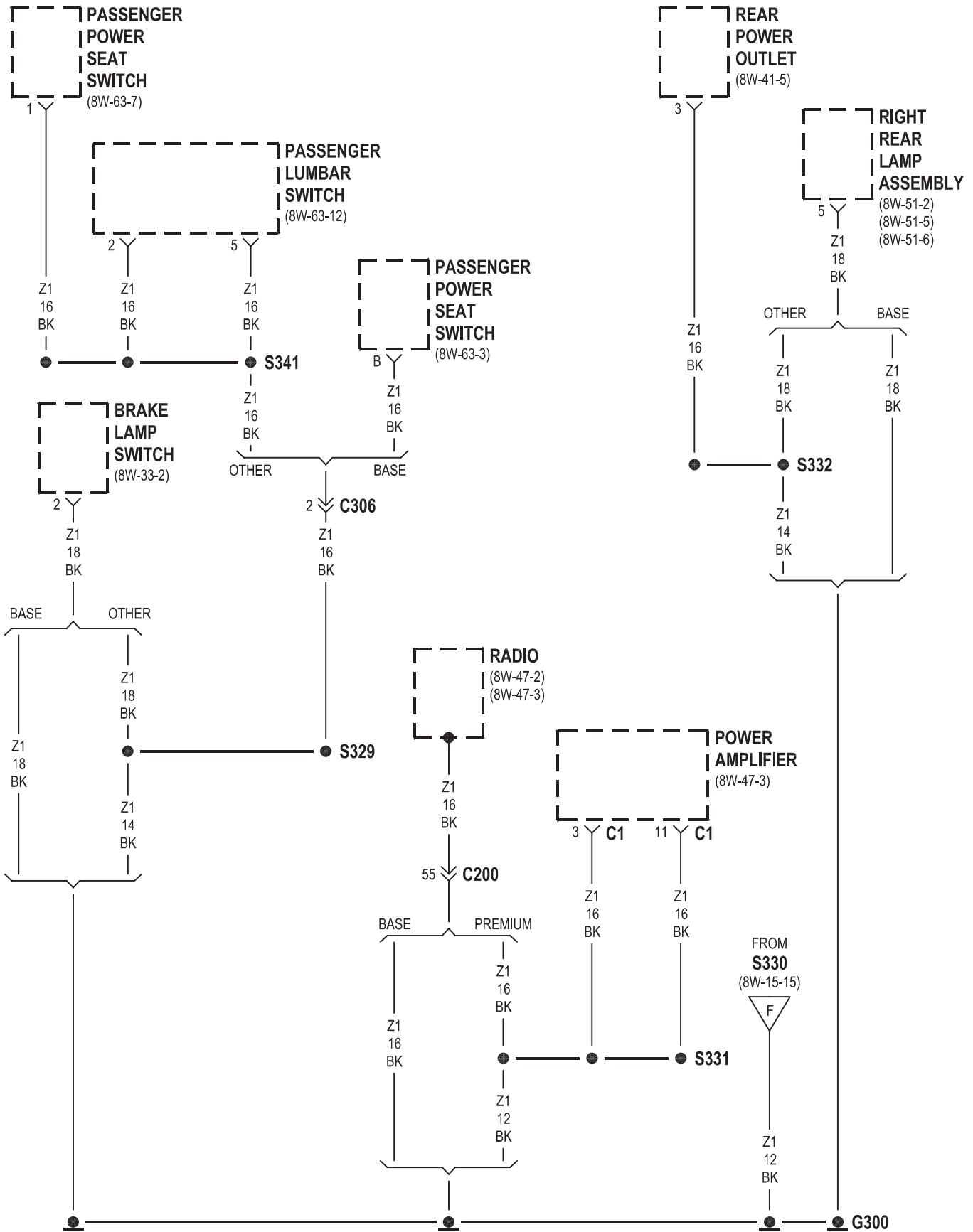




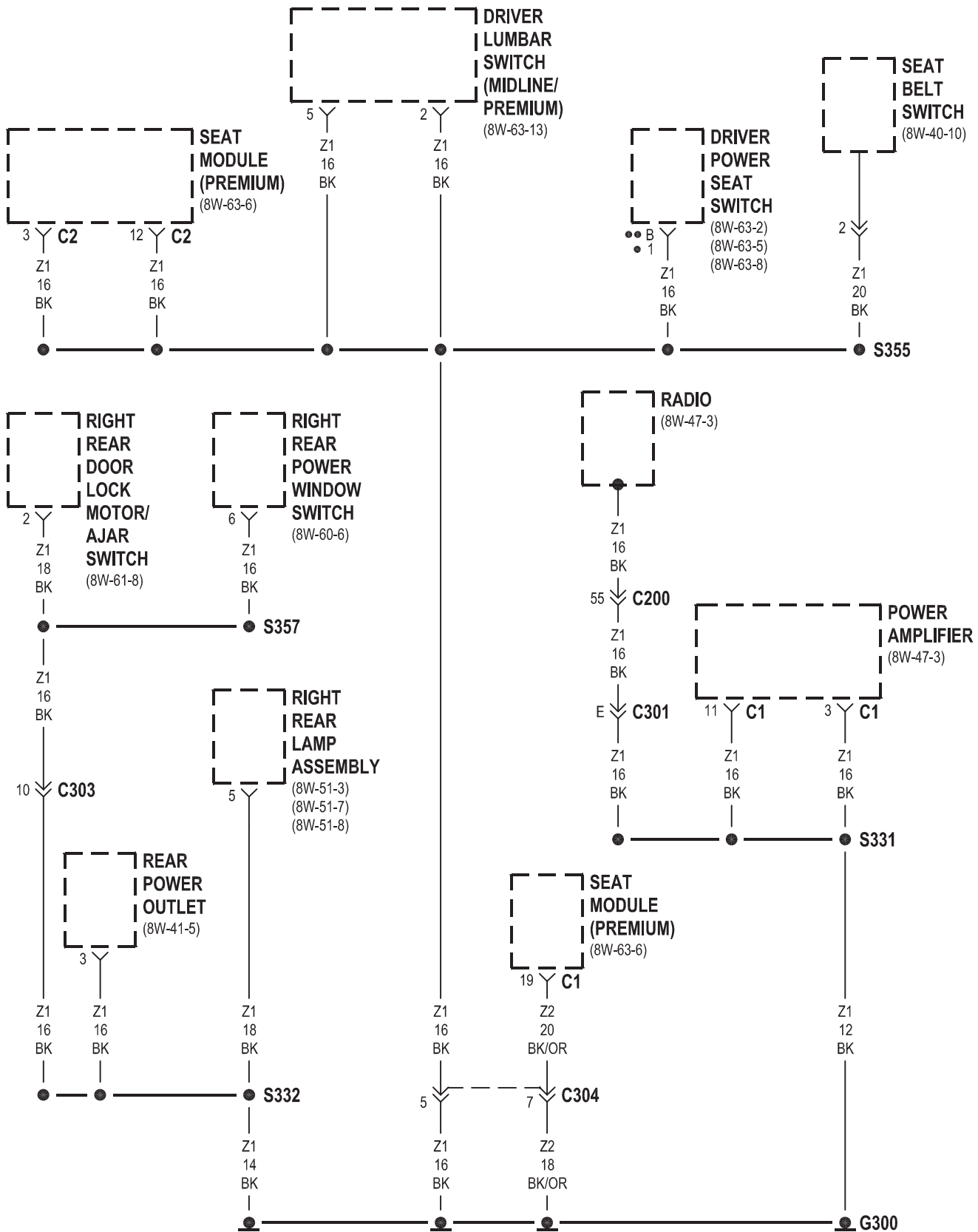




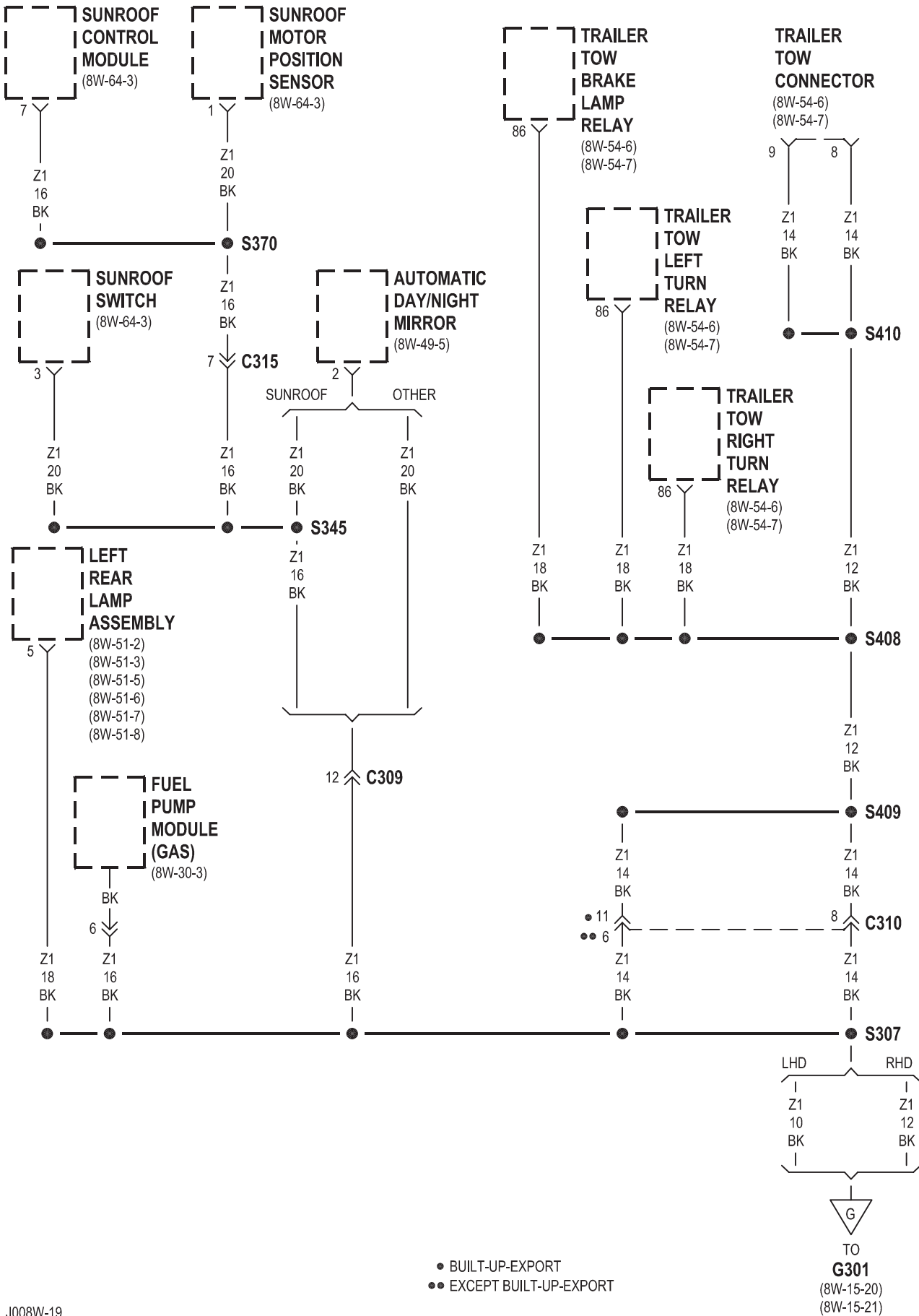




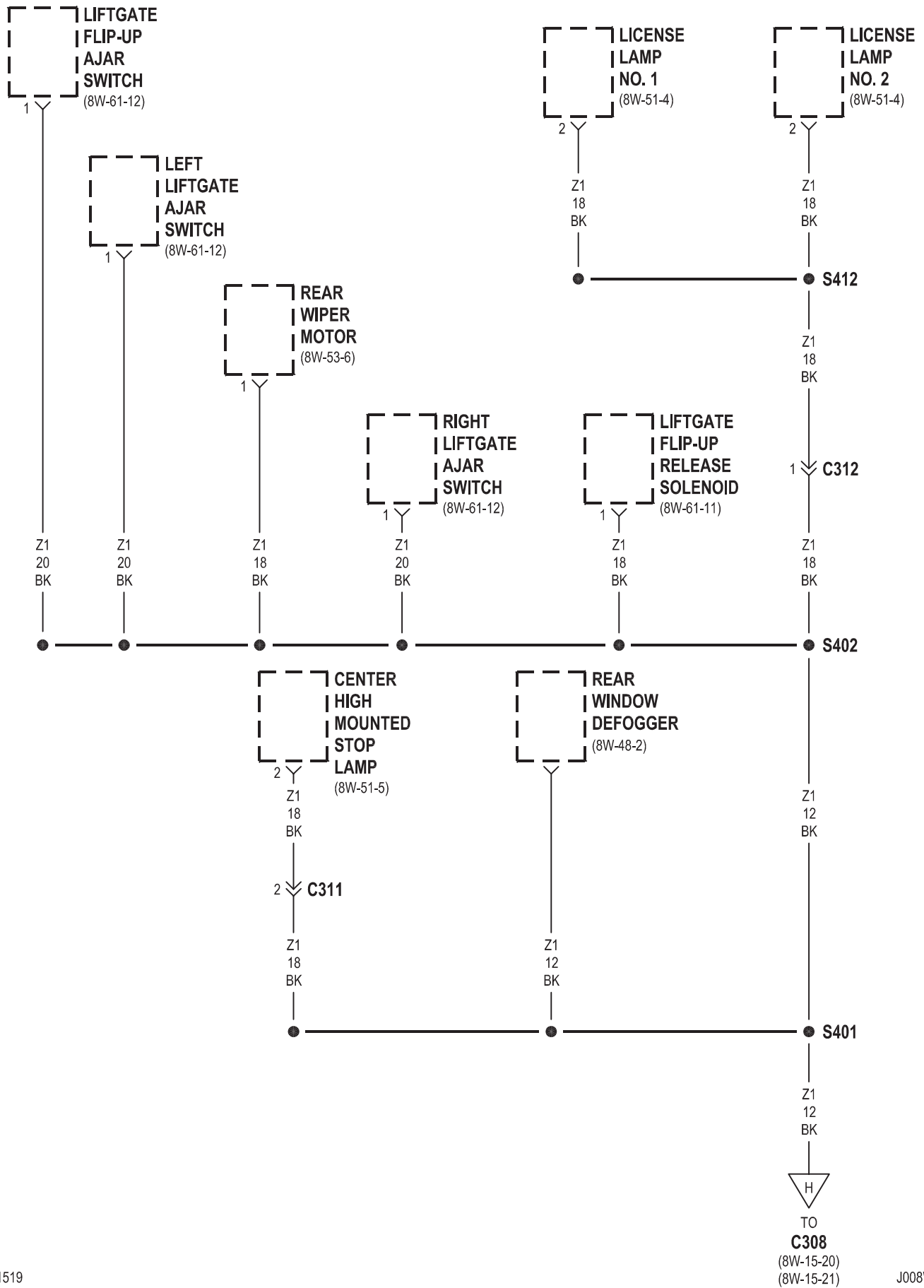
RHD



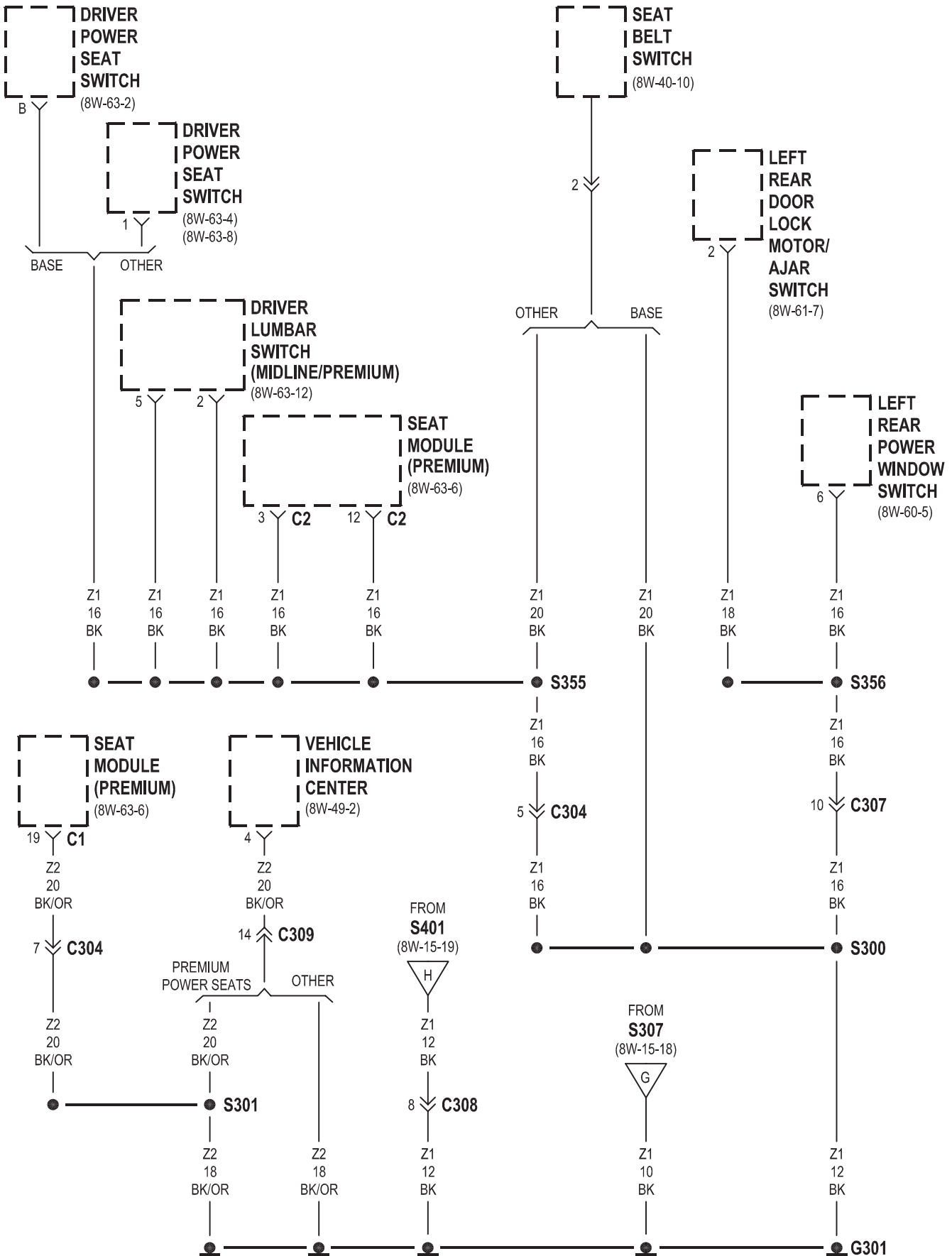
•• BASE
 • MIDLINE/PREMIUM

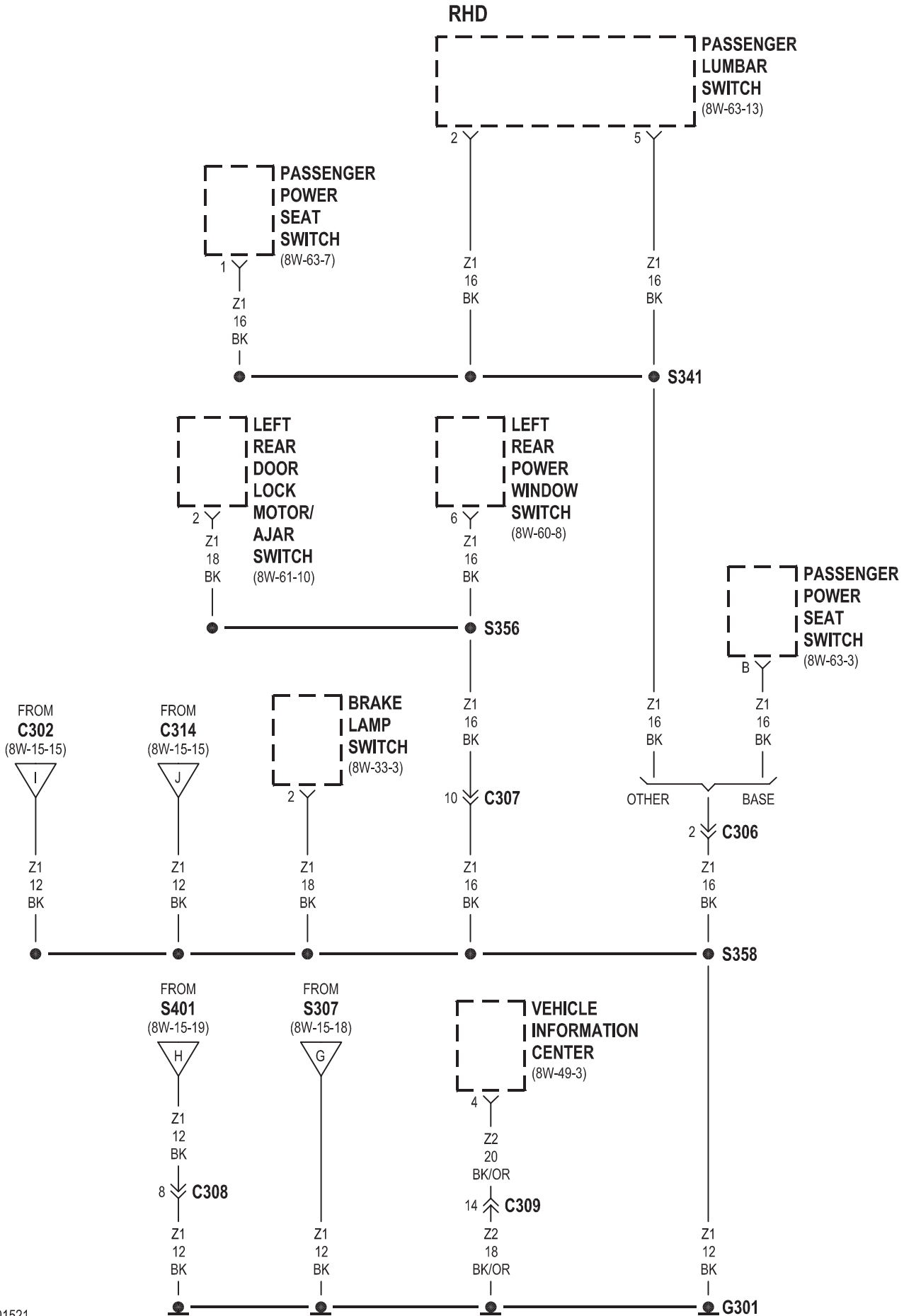


- BUILT-UP-EXPORT
- EXCEPT BUILT-UP-EXPORT



LHD

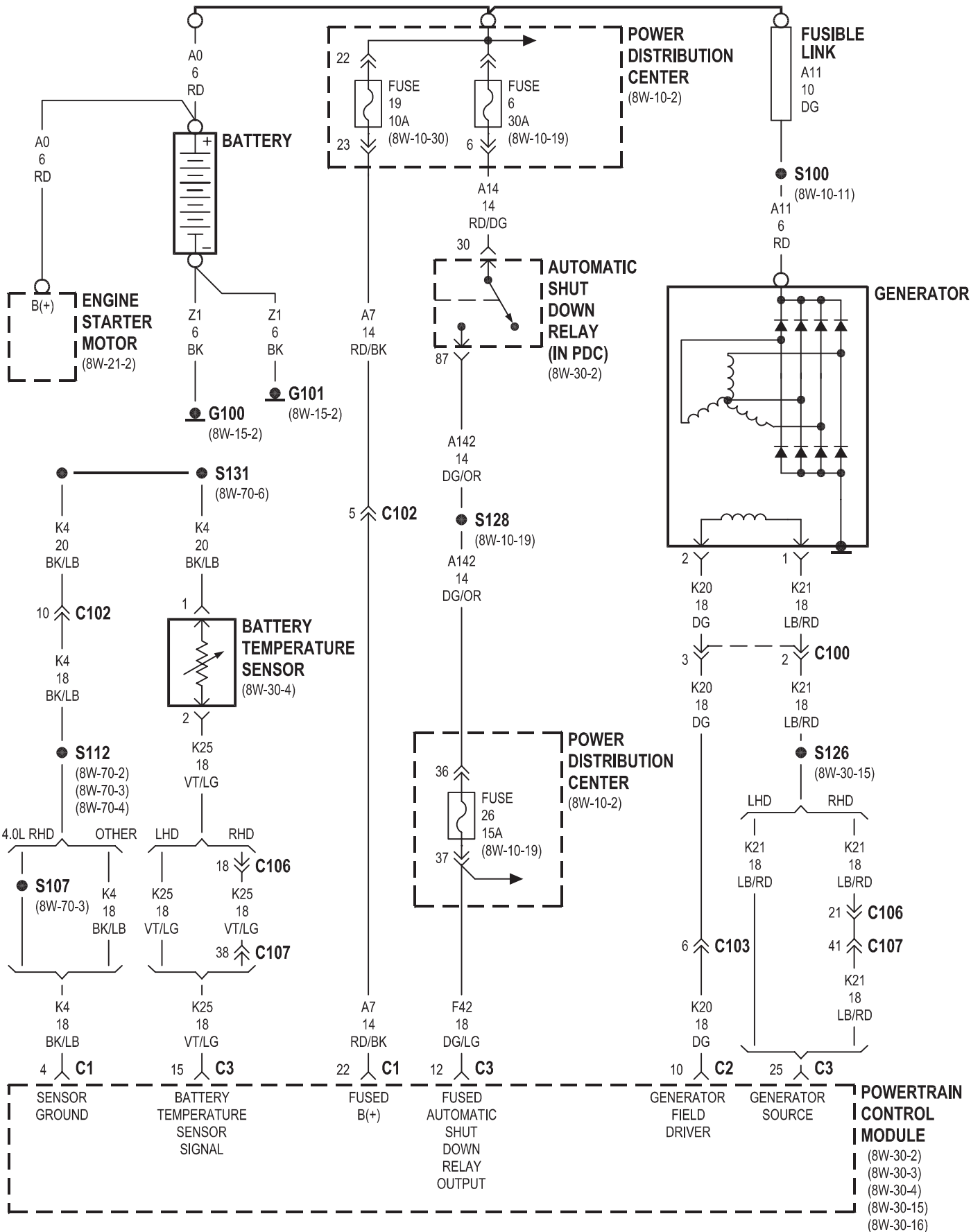




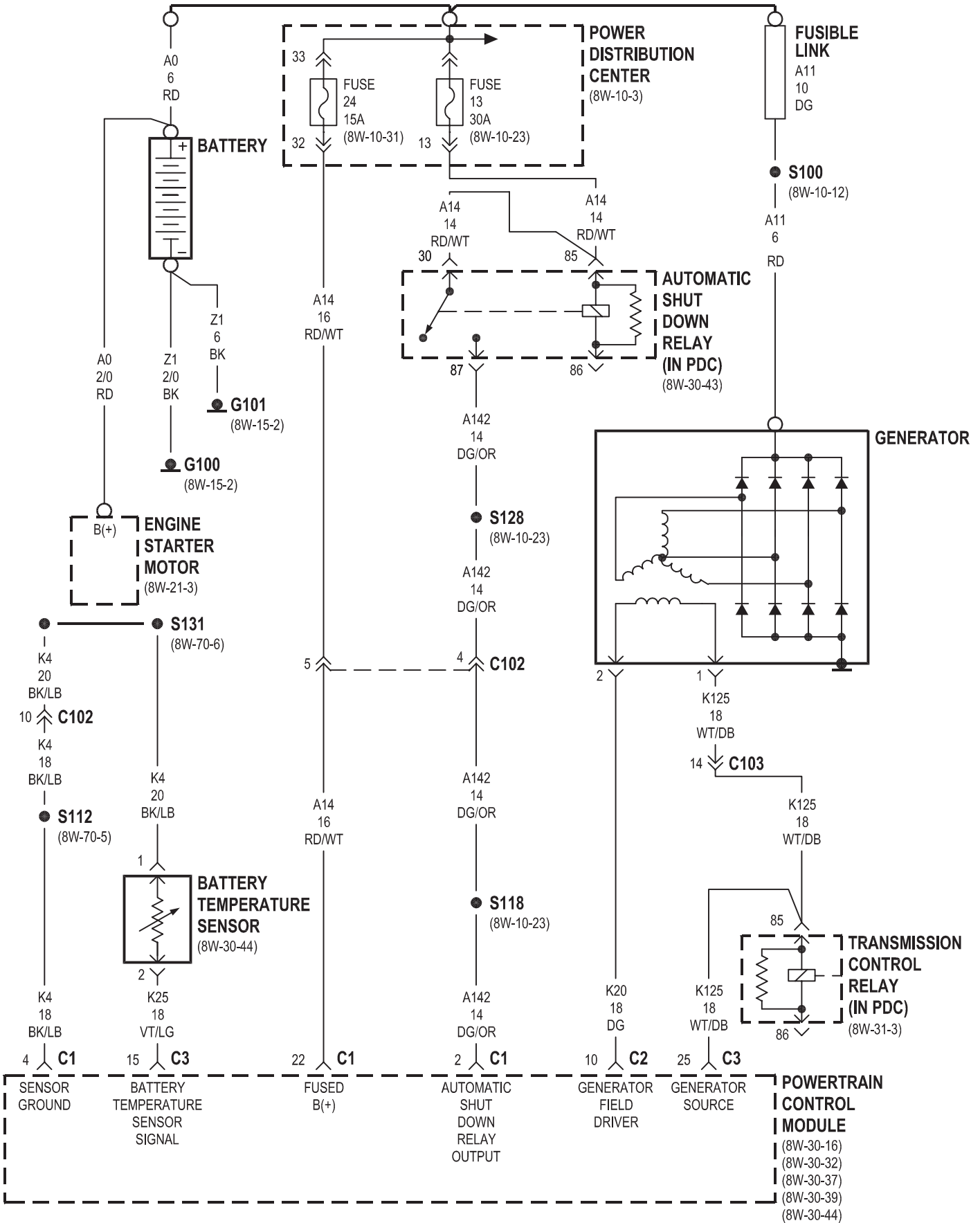
8W-20 CHARGING SYSTEM

Component	Page	Component	Page
Automatic Shut Down Relay	8W-20-2, 3	Fuse 26 (PDC)	8W-20-2
Battery	8W-20-2, 3	Fusible Link	8W-20-2, 3
Battery Temperature Sensor	8W-20-2, 3	G100	8W-20-2, 3
Engine Starter Motor	8W-20-2, 3	G101	8W-20-2, 3
Fuse 6 (PDC)	8W-20-2	Generator	8W-20-2, 3
Fuse 13 (PDC)	8W-20-3	Power Distribution Center	8W-20-2, 3
Fuse 19 (PDC)	8W-20-2	Powertrain Control Module	8W-20-2, 3
Fuse 24 (PDC)	8W-20-3	Transmission Control Relay	8W-20-3

GAS



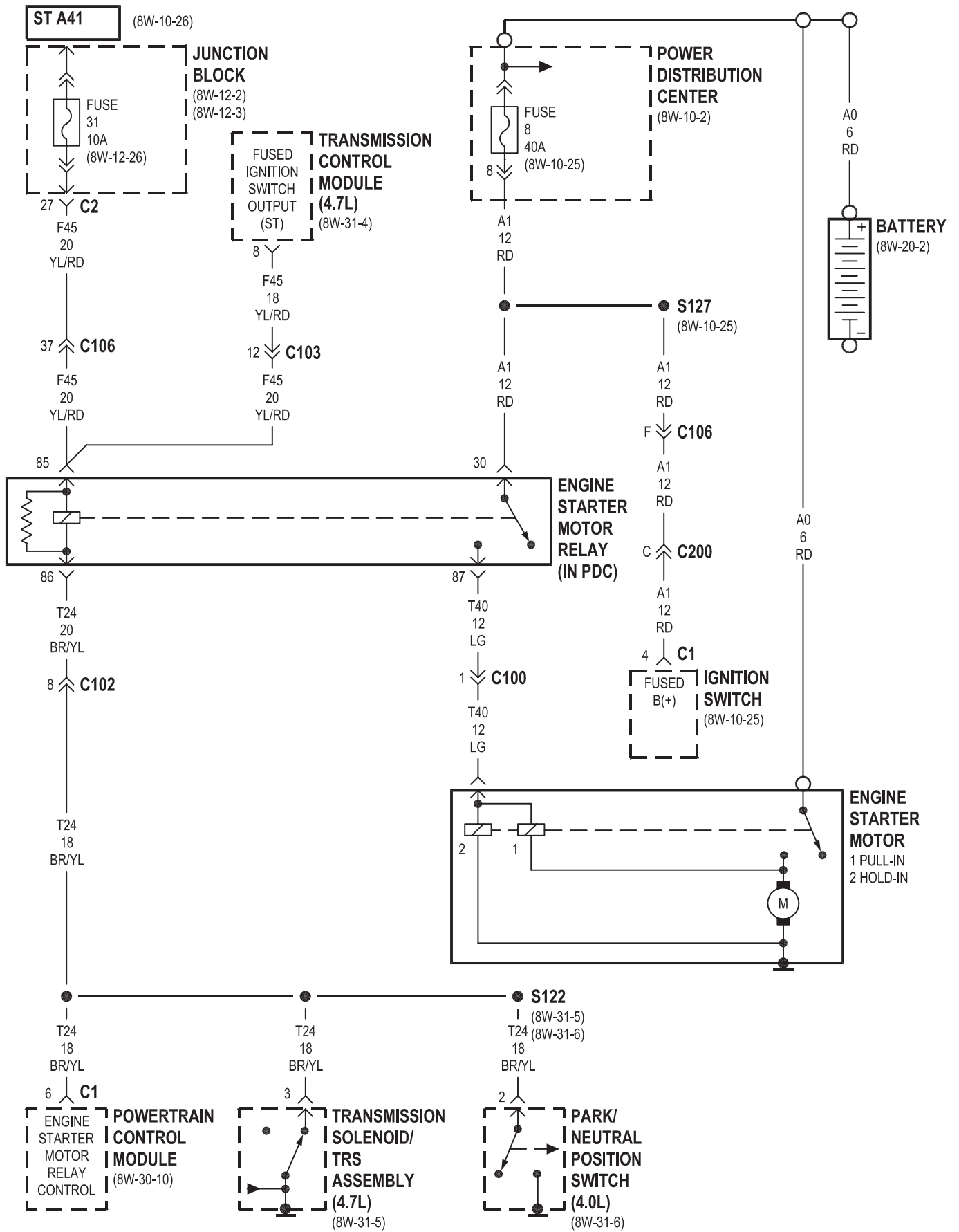
DIESEL

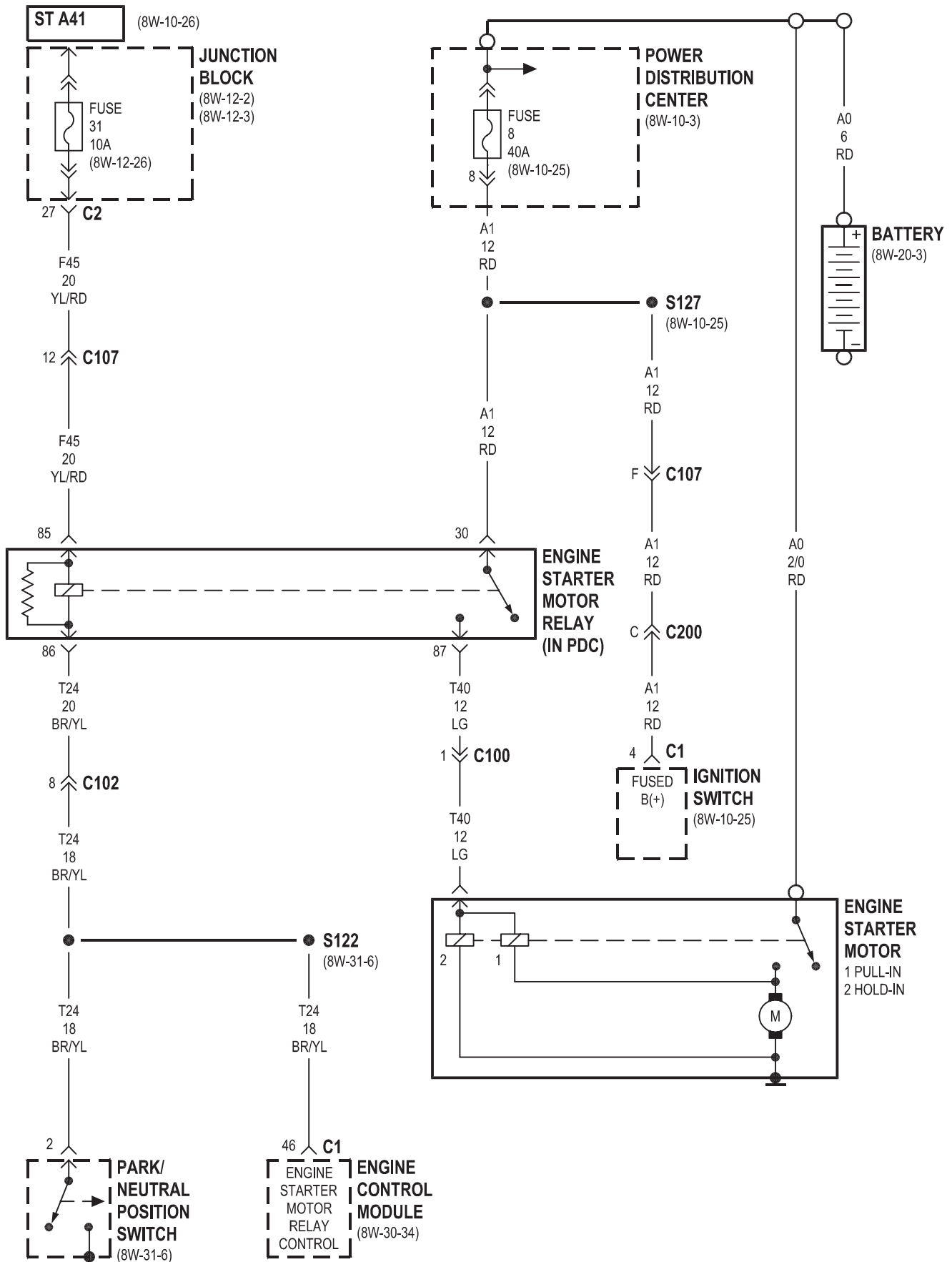


8W-21 STARTING SYSTEM

Component	Page	Component	Page
Battery	8W-21-2, 3	Junction Block	8W-21-2, 3
Engine Control Module	8W-21-3	Park/Neutral Position Switch	8W-21-2, 3
Engine Starter Motor	8W-21-2, 3	Power Distribution Center	8W-21-2, 3
Engine Starter Motor Relay	8W-21-2, 3	Powertrain Control Module	8W-21-2
Fuse 8 (PDC)	8W-21-2, 3	Transmission Control Module	8W-21-2
Fuse 31 (JB)	8W-21-2, 3	Transmission Solenoid/TRS Assembly	8W-21-2
Ignition Switch	8W-21-2, 3		

GAS

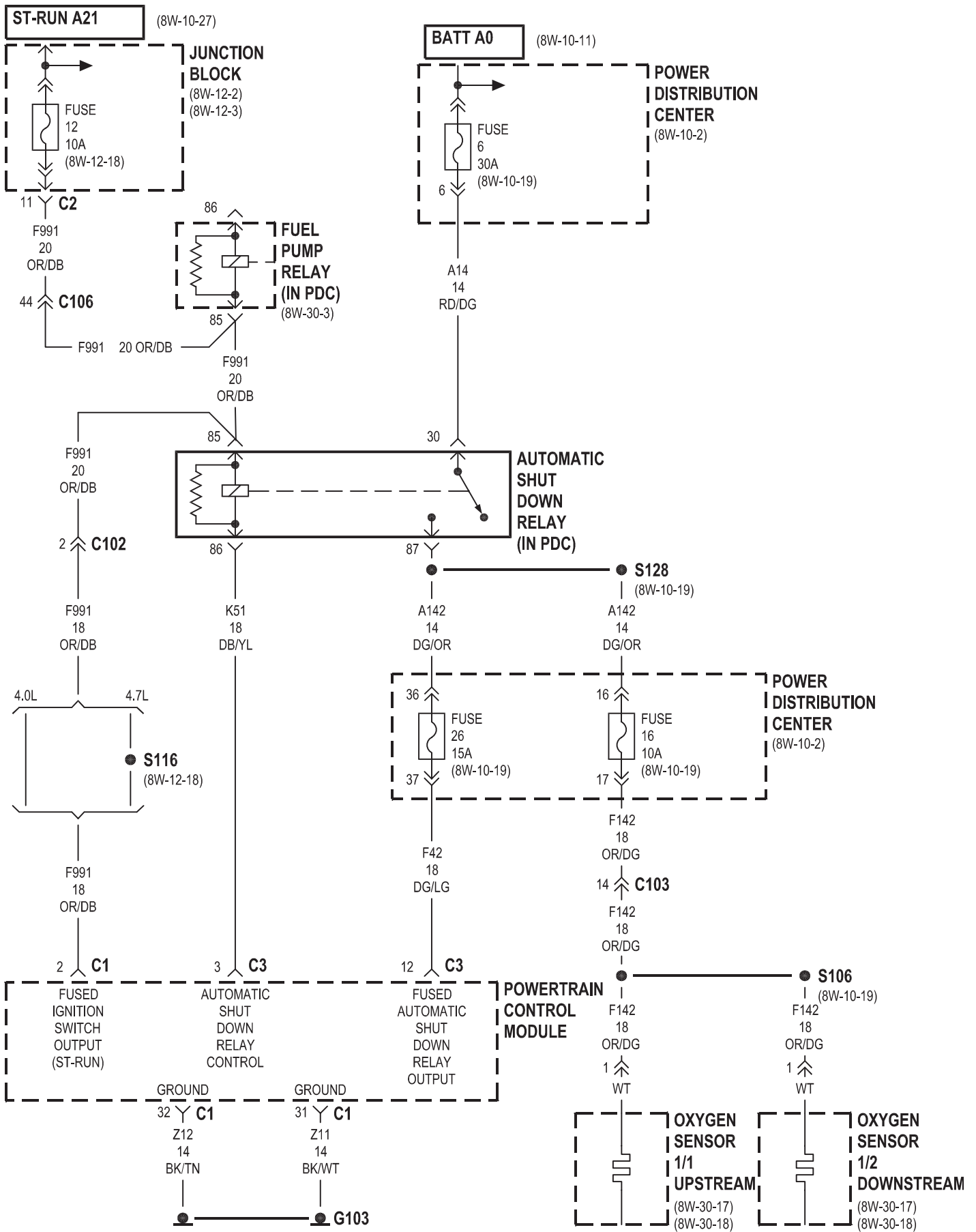




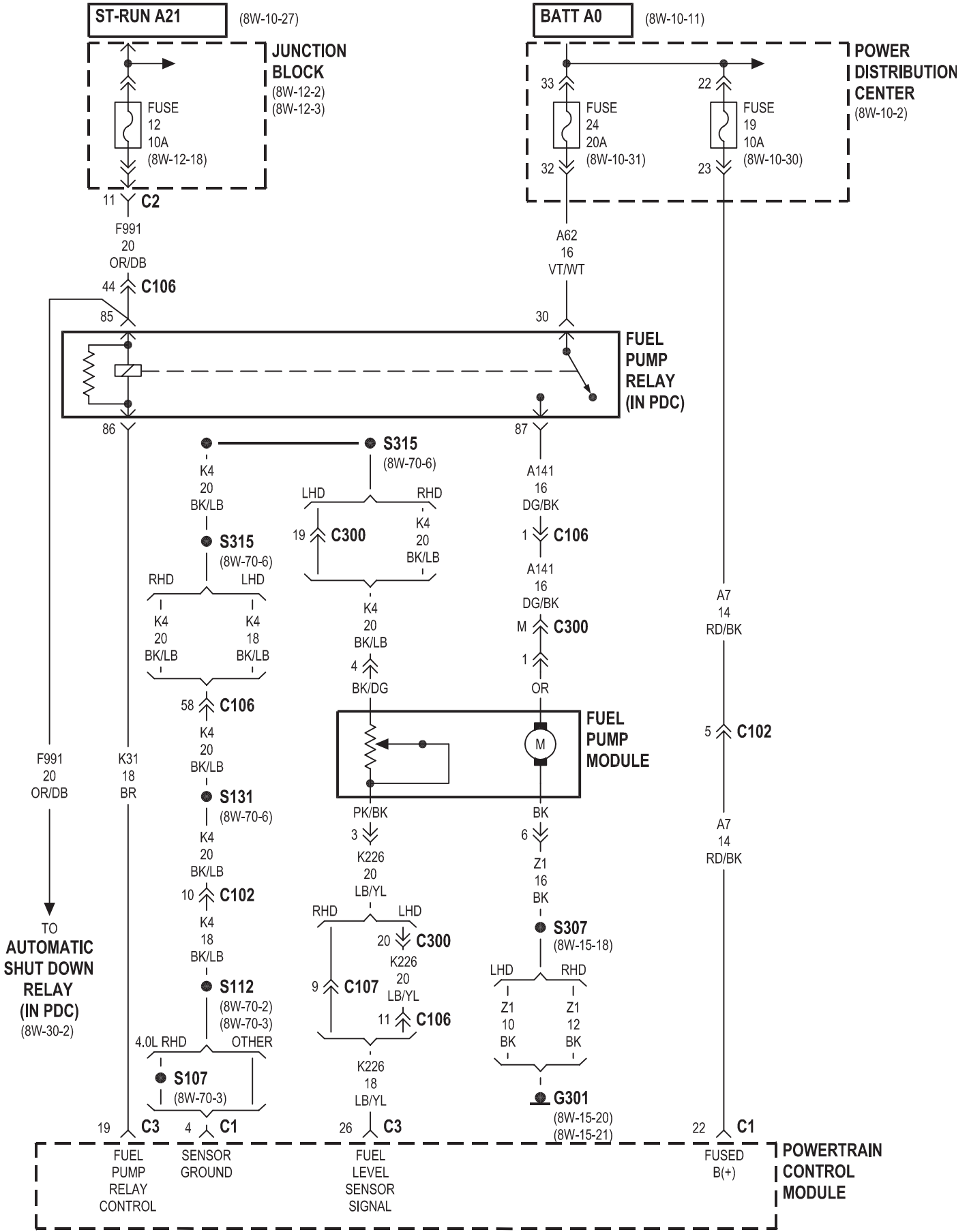
8W-30 FUEL/IGNITION SYSTEM

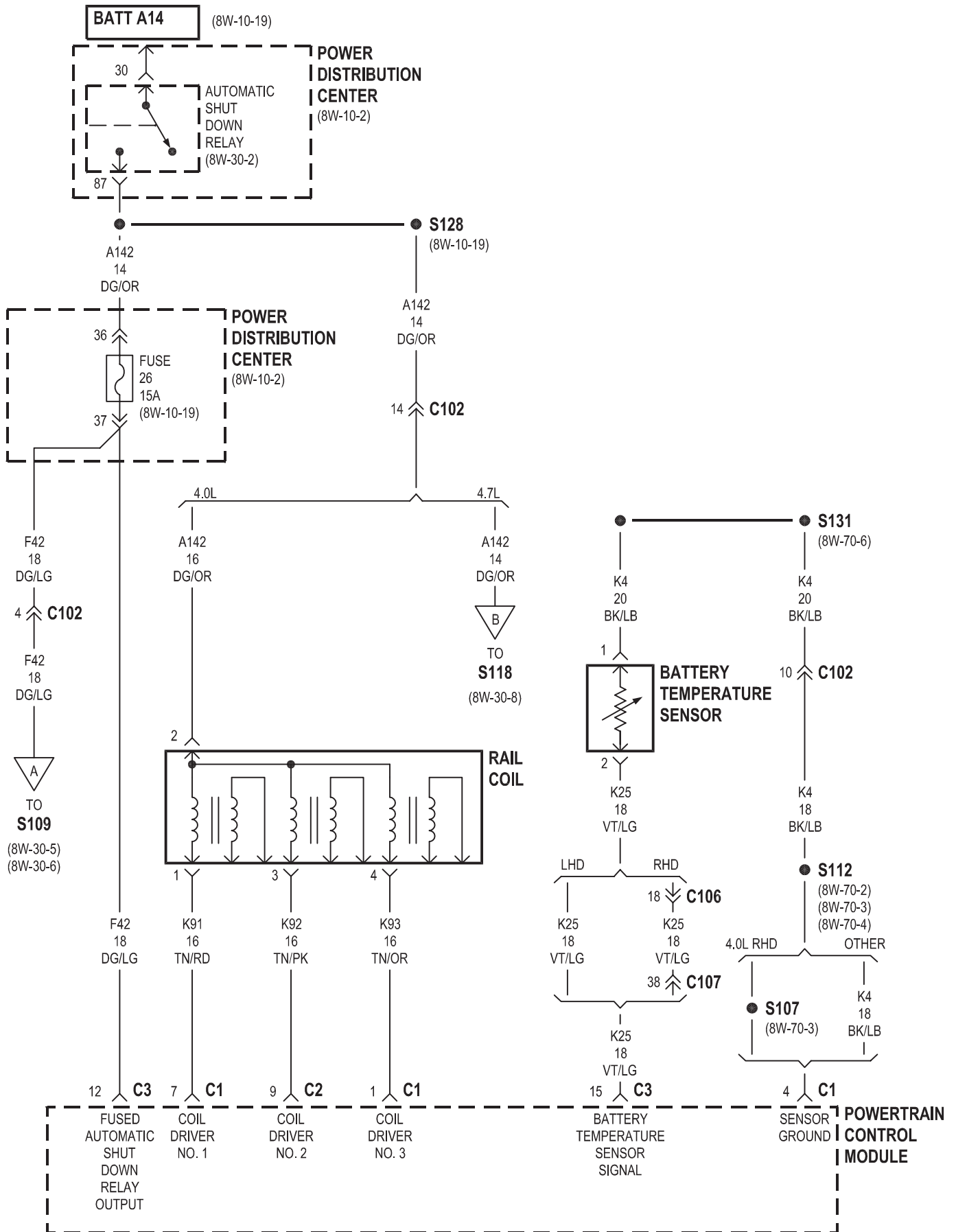
Component	Page	Component	Page
A/C Compressor Clutch Relay	8W-30-15, 35, 36, 43	Fuse 17 (JB)	8W-30-24, 25, 39
A/C High Pressure Switch	8W-30-15, 35	Fuse 17 (PDC)	8W-30-19, 20
Accelerator Pedal Position Sensor	8W-30-42	Fuse 19 (PDC)	8W-30-3
Airbag Control Module	8W-30-28, 31	Fuse 21 (JB)	8W-30-21, 22, 23, 33, 37
Automatic Shut Down Relay	8W-30-2, 3, 4, 17, 18, 32, 43	Fuse 24 (PDC)	8W-30-3, 37
Automatic Zone Control Module	8W-30-28, 31	Fuse 26 (PDC)	8W-30-2, 4, 41, 43
Battery Temperature Sensor	8W-30-4, 44	G103	8W-30-2, 24, 25, 32, 39
Body Control Module	8W-30-24, 25, 28, 31, 39	G104	8W-30-15, 17, 18, 19, 20
Brake Lamp Switch	8W-30-21, 22, 23, 33, 45	G105	8W-30-37
Brake Shift Interlock Solenoid	8W-30-21, 33	G106	8W-30-37
Camshaft Position Sensor	8W-30-10, 11	G108	8W-30-36
Capacitor No. 1	8W-30-8	G300	8W-30-22
Capacitor No. 2	8W-30-9	G301	8W-30-3, 23
Clockspring	8W-30-22, 23	Generator	8W-30-15, 16, 39
Coil On Plug No. 1	8W-30-9	Glow Plug No. 1	8W-30-35
Coil On Plug No. 2	8W-30-8	Glow Plug No. 2	8W-30-36
Coil On Plug No. 3	8W-30-9	Glow Plug No. 3	8W-30-35
Coil On Plug No. 4	8W-30-8	Glow Plug No. 4	8W-30-36
Coil On Plug No. 5	8W-30-9	Glow Plug No. 5	8W-30-35
Coil On Plug No. 6	8W-30-8	Glow Plug Relay No. 1	8W-30-35, 36, 44
Coil On Plug No. 7	8W-30-9	Glow Plug Relay No. 2	8W-30-35, 36, 44
Coil On Plug No. 8	8W-30-8	Idle Air Control Motor	8W-30-11
Compact Disc Changer	8W-30-26, 29	Instrument Cluster	8W-30-14, 28, 31
Controller Anti-Lock Brake	8W-30-14, 26, 27, 29, 45	Intake Air Temperature Sensor	8W-30-12, 13
Crankshaft Position Sensor	8W-30-10, 11, 40	Junction Block	8W-30-2, 3, 14, 21, 22, 23, 24, 25, 33, 37, 39
Cruise Switch No. 1	8W-30-22, 23	Leak Detection Pump	8W-30-15
Cruise Switch No. 2	8W-30-22, 23	Manifold Absolute Pressure Sensor	8W-30-11, 12, 13
Data Link Connector	8W-30-24, 25, 28, 31, 39	Needle Movement Sensor	8W-30-40
Diagnostic Junction Port	8W-30-24, 25, 28, 31, 39	Output Speed Sensor	8W-30-14
Driver Door Module	8W-30-27, 29	Overdrive Switch	8W-30-21, 33
Duty Cycle Evap/Purge Solenoid	8W-30-22, 23	Oxygen Sensor 1/1 Upstream	8W-30-2, 17, 18, 19
EGR Solenoid	8W-30-36, 44	Oxygen Sensor 1/2 Downstream	8W-30-2, 17, 18, 19
Engine Control Module	8W-30-32	Oxygen Sensor 2/1 Upstream	8W-30-19
Engine Control Module	8W-30-33, 34, 35, 36, 37, 39, 40, 41, 42, 43, 45	Oxygen Sensor 2/2 Downstream	8W-30-20
Engine Coolant Temperature Sensor	8W-30-12, 13	Oxygen Sensor Downstream Relay	8W-30-20
Engine Coolant Temperature Sensor No. 1	8W-30-40	Oxygen Sensor Upstream Relay	8W-30-19
Engine Coolant Temperature Sensor No. 2	8W-30-34	Park/Neutral Position Switch	8W-30-34, 45
Engine Oil Pressure Sensor	8W-30-12, 13, 38	Passenger Door Module	8W-30-26, 30
Engine Starter Motor Relay	8W-30-10	Power Distribution Center	8W-30-2, 3, 4, 17, 18, 19, 20, 32, 35, 36, 37, 38, 41, 43
Fuel Heater	8W-30-37	Powertrain Control Module	8W-30-2, 3, 4, 5, 6, 7, 8, 9, 10, 11, 12, 13, 14, 15, 16, 17, 18, 19, 20, 21, 22, 23, 24, 25, 26, 29, 32, 33, 34, 37, 38, 39, 40, 42, 44, 45
Fuel Heater Relay	8W-30-37	Radiator Fan Relay	8W-30-16
Fuel Injector No. 1	8W-30-5, 7	Radio	8W-30-28, 31
Fuel Injector No. 2	8W-30-5, 6	Rail Coil	8W-30-4
Fuel Injector No. 3	8W-30-5, 7	Seat Module	8W-30-27, 29
Fuel Injector No. 4	8W-30-5, 6	Sentry Key Immobilizer Module	8W-30-2, 31
Fuel Injector No. 5	8W-30-5, 7	Throttle Position Sensor	8W-30-11
Fuel Injector No. 6	8W-30-5, 6	Transmission Control Module	8W-30-11, 14, 15, 21, 24, 25, 26, 29
Fuel Injector No. 7	8W-30-7	Transmission Control Relay	8W-30-15, 37, 38, 39
Fuel Injector No. 8	8W-30-6	Transmission Solenoid	8W-30-12, 16, 38
Fuel Pump Module	8W-30-3, 41, 43	Turbo Boost Pressure Sensor	8W-30-34
Fuel Pump Relay	8W-30-2, 3	United Kingdom Security System Module	8W-30-31
Fuel Sender Unit	8W-30-38	Vehicle Information Center	8W-30-27, 30
Fuse 6 (PDC)	8W-30-35	Vehicle Speed Control Servo	8W-30-2, 23
Fuse 6 (PDC)	8W-30-2	Water In Fuel Sensor	8W-30-38
Fuse 9 (PDC)	8W-30-37		
Fuse 11 (PDC)	8W-30-36		
Fuse 12 (JB)	8W-30-2, 3		
Fuse 13 (PDC)	8W-30-32, 43		
Fuse 16 (PDC)	8W-30-2, 17, 18, 35, 36, 43		

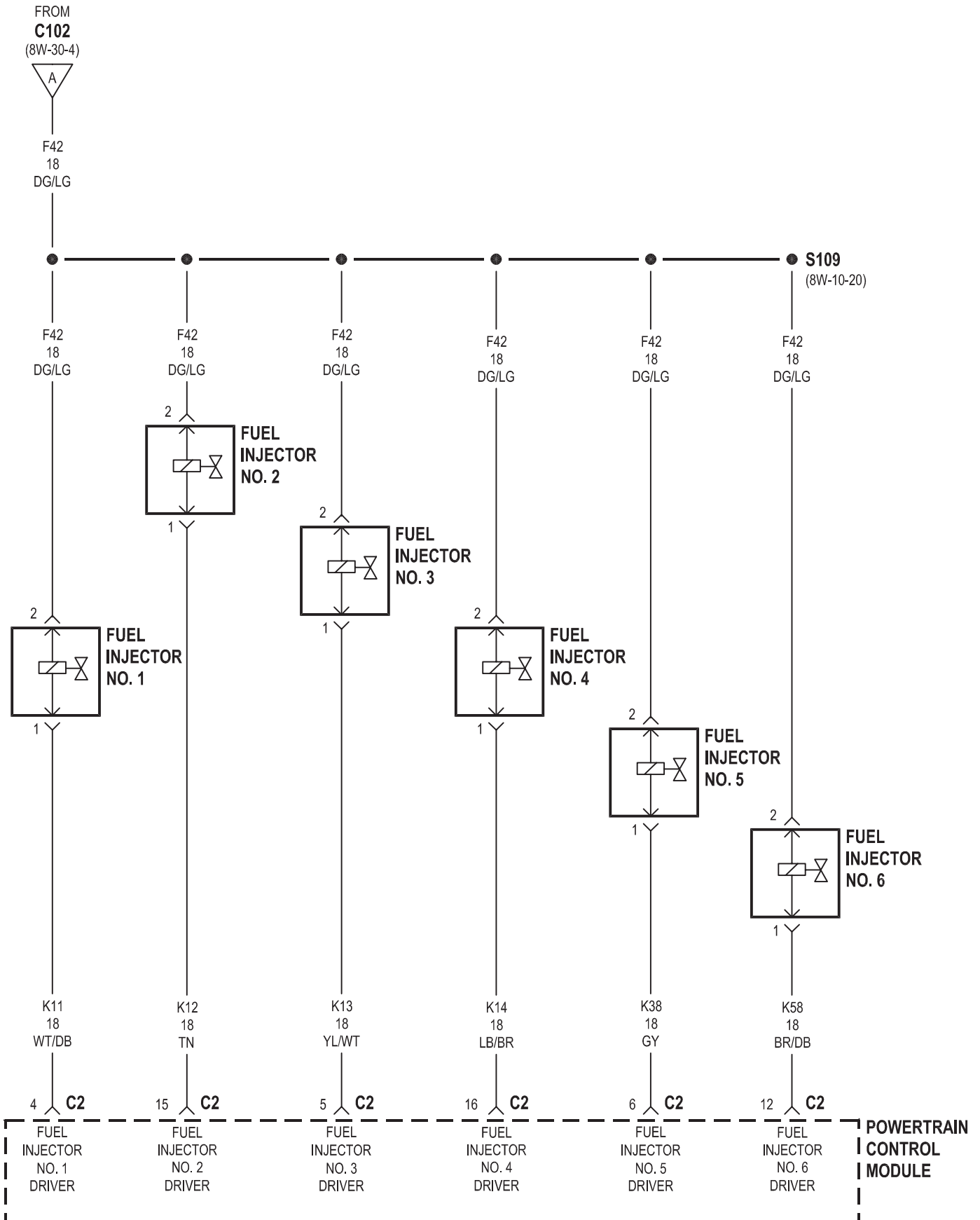
GAS

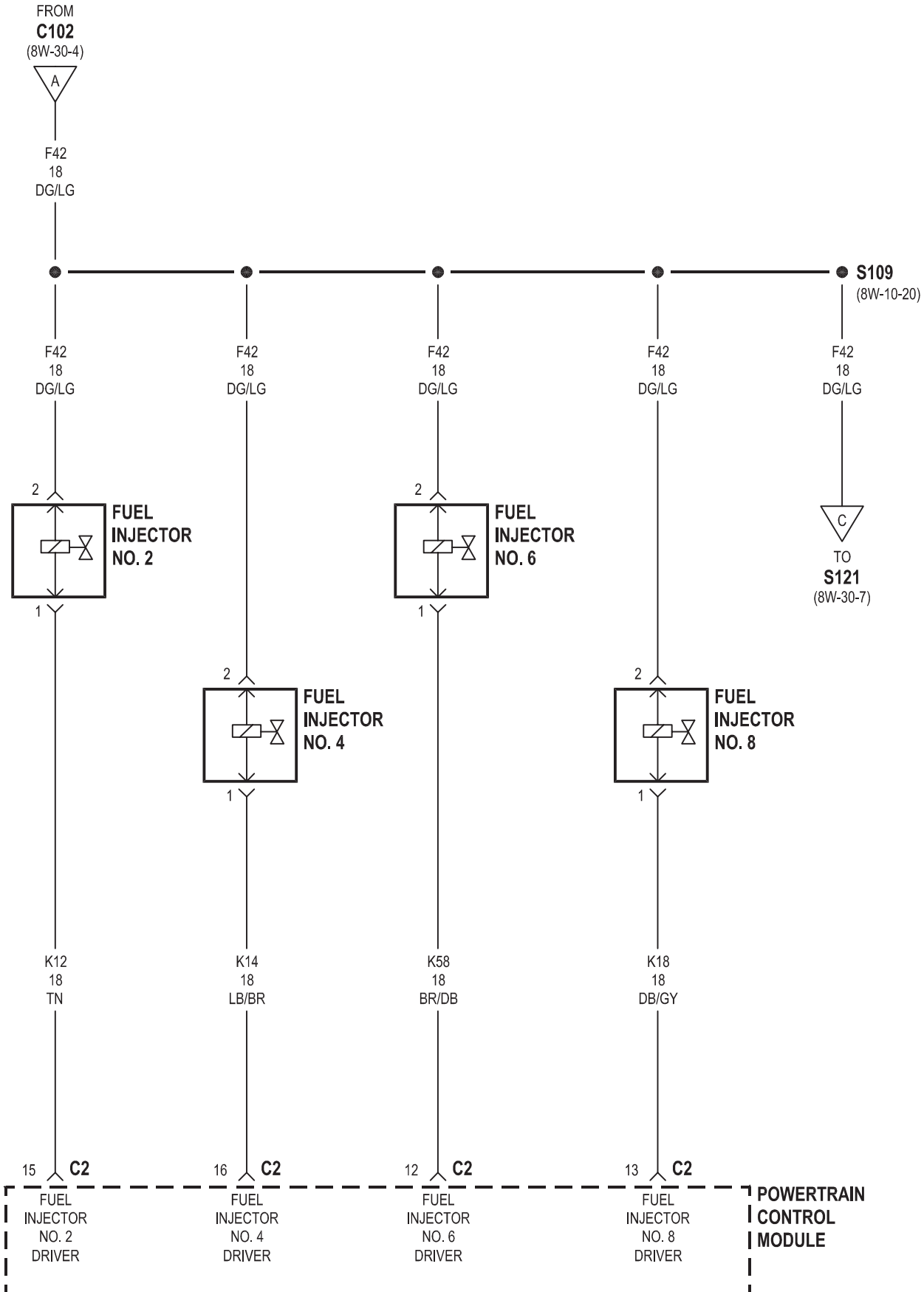


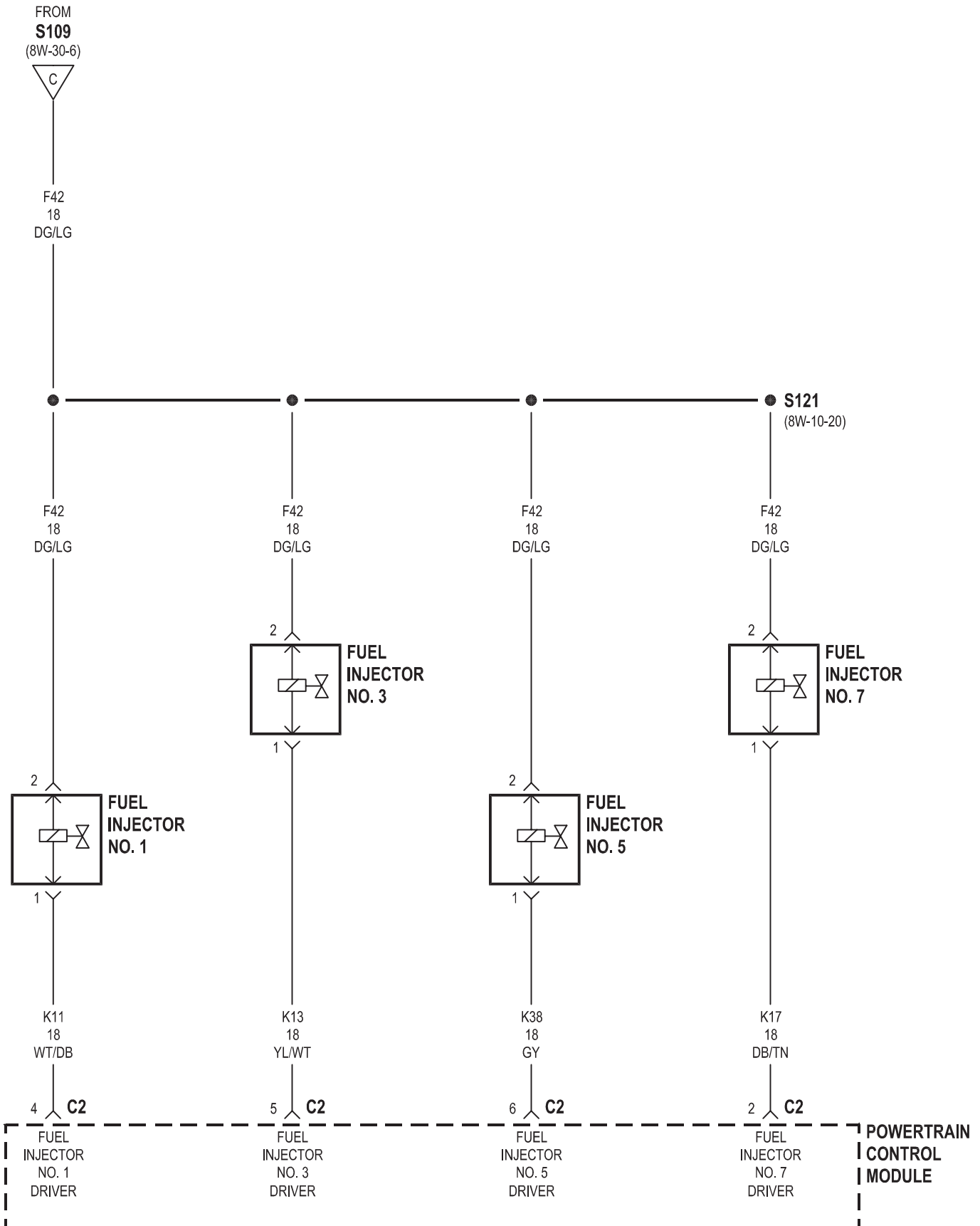
GAS

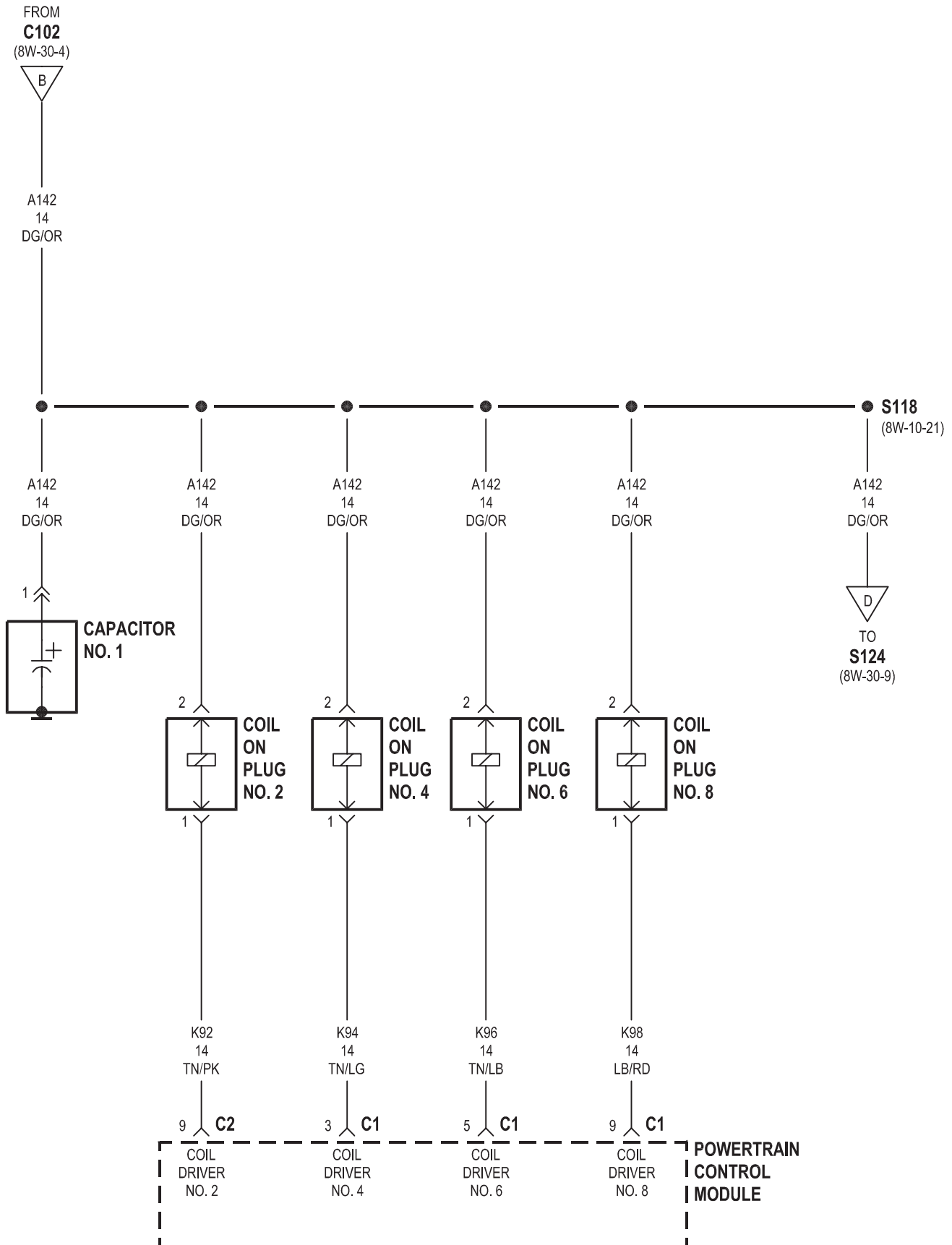


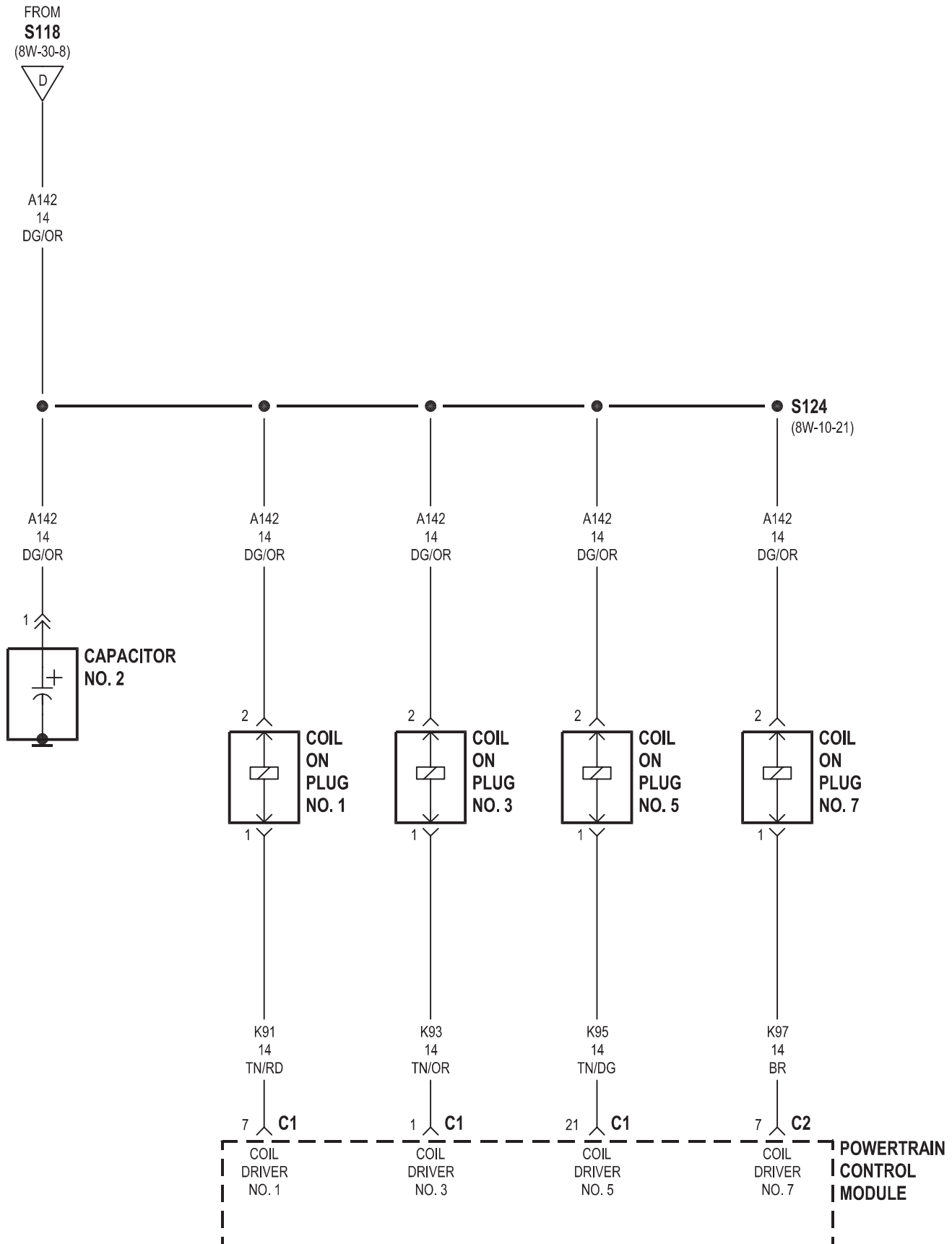


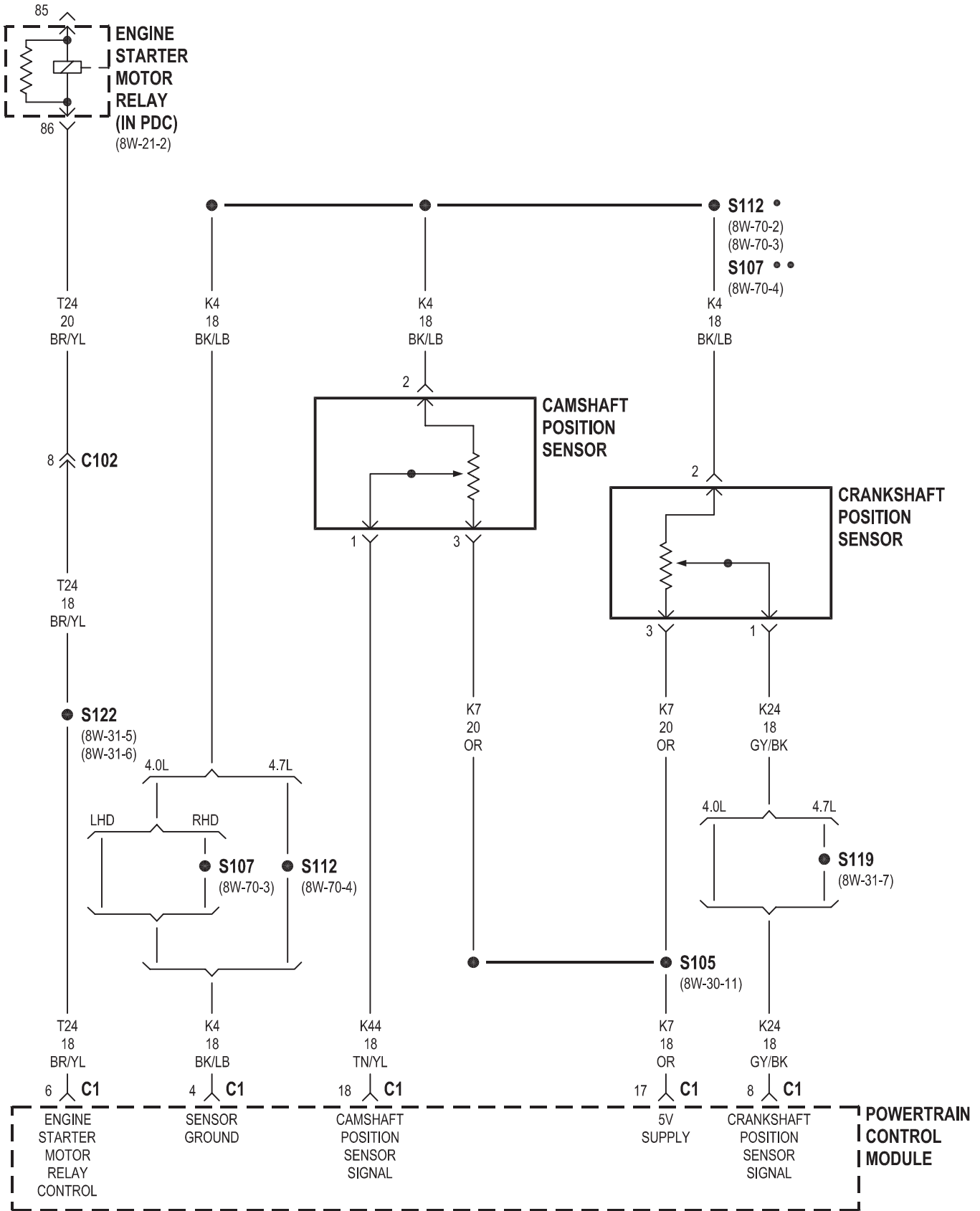




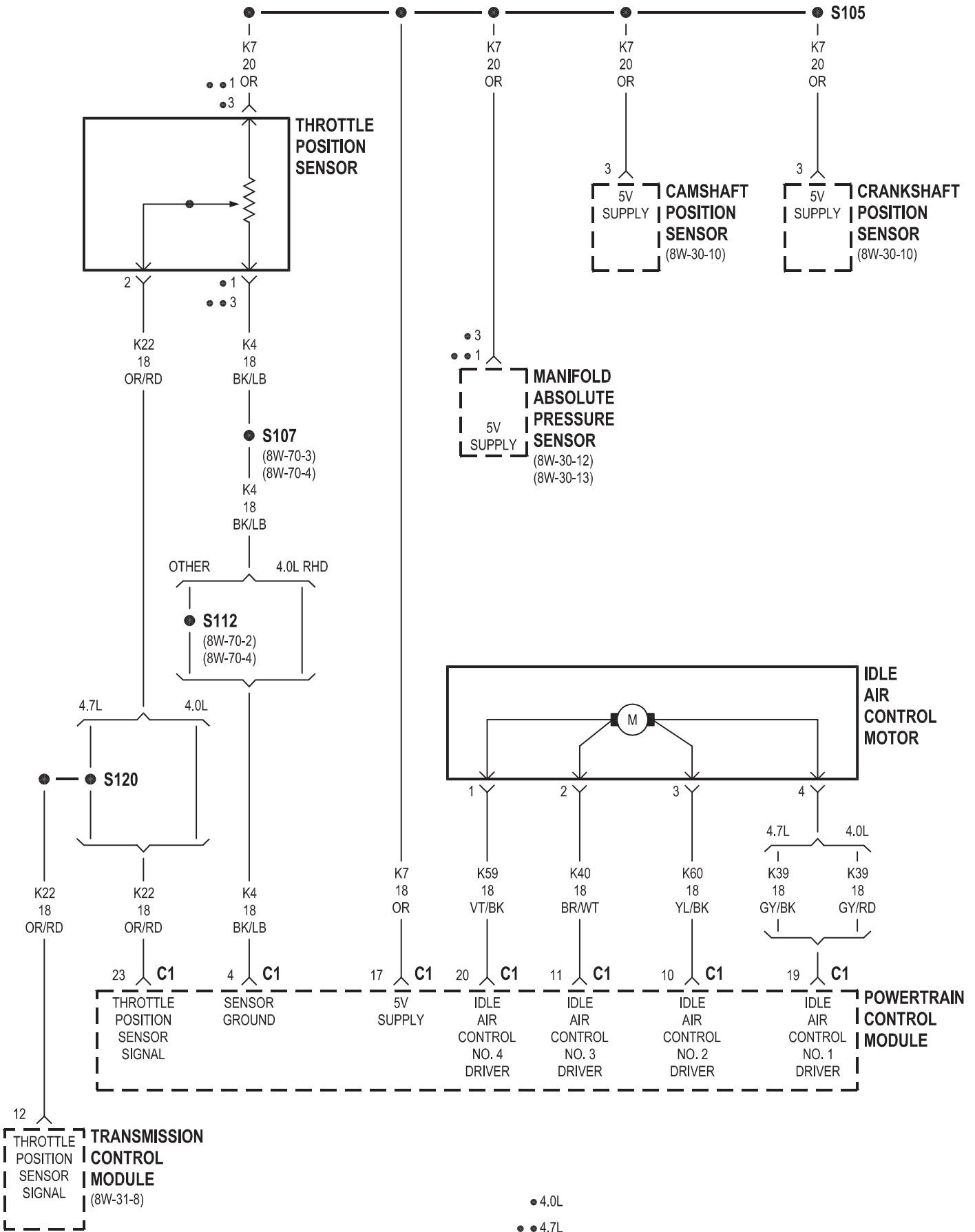




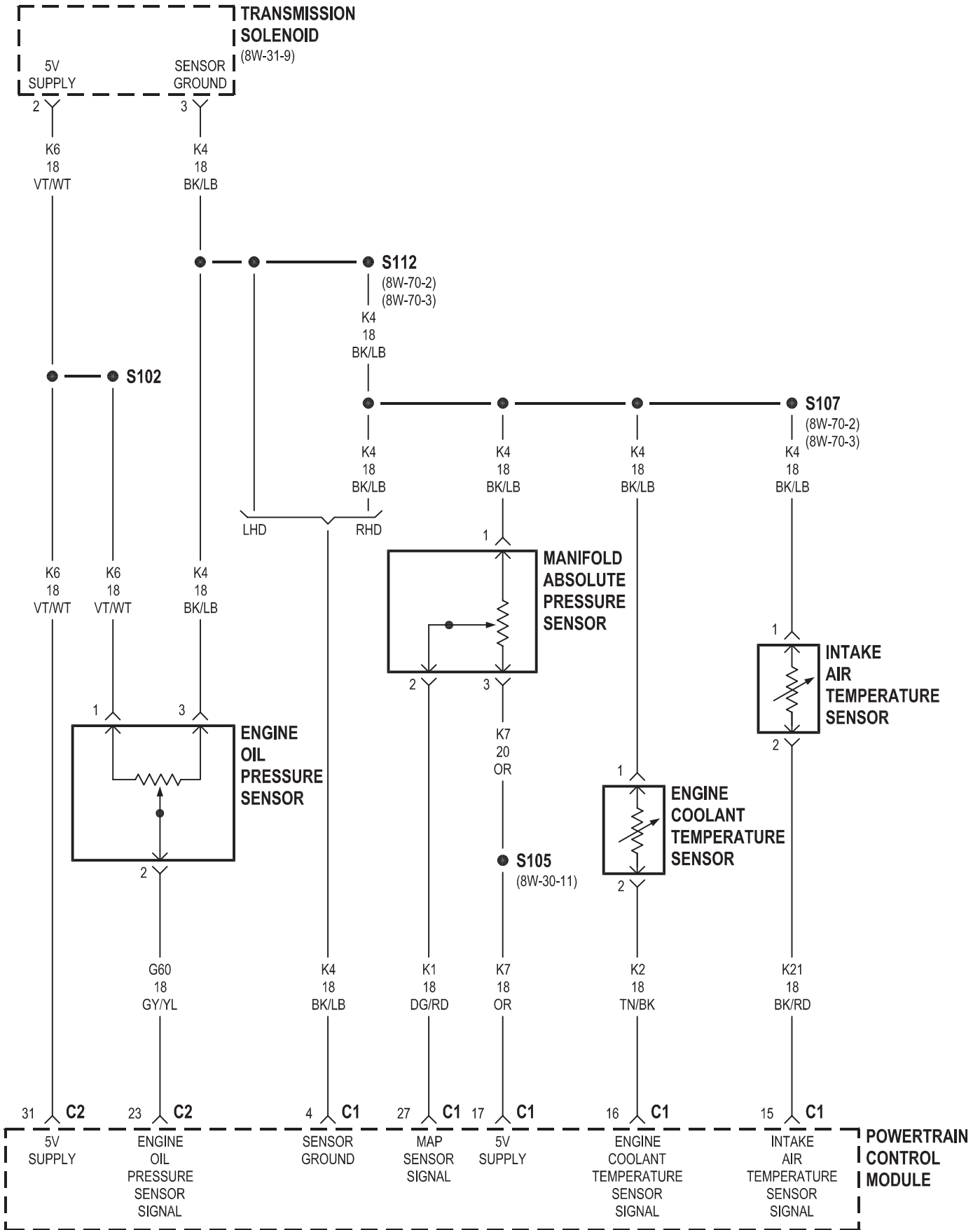


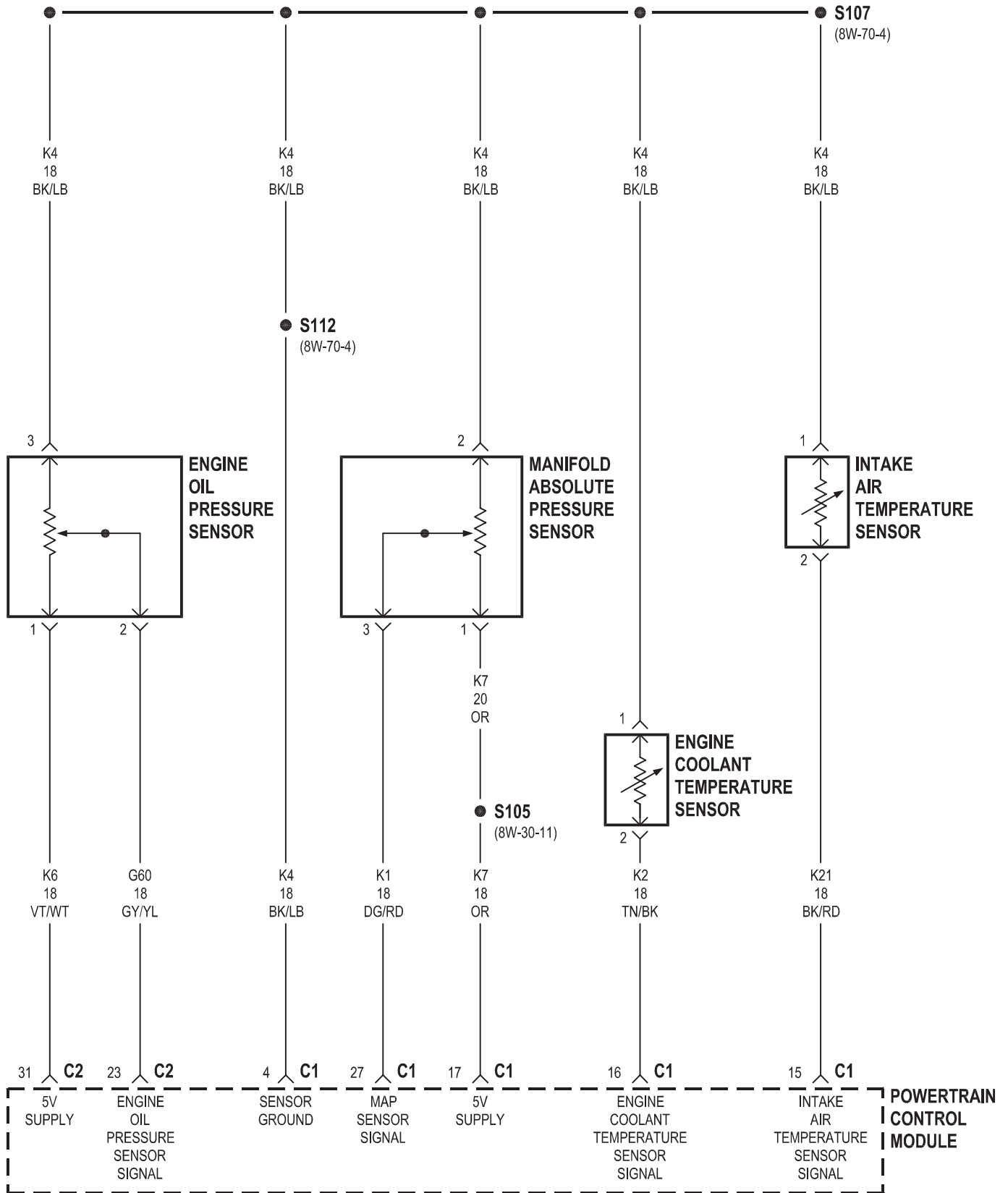


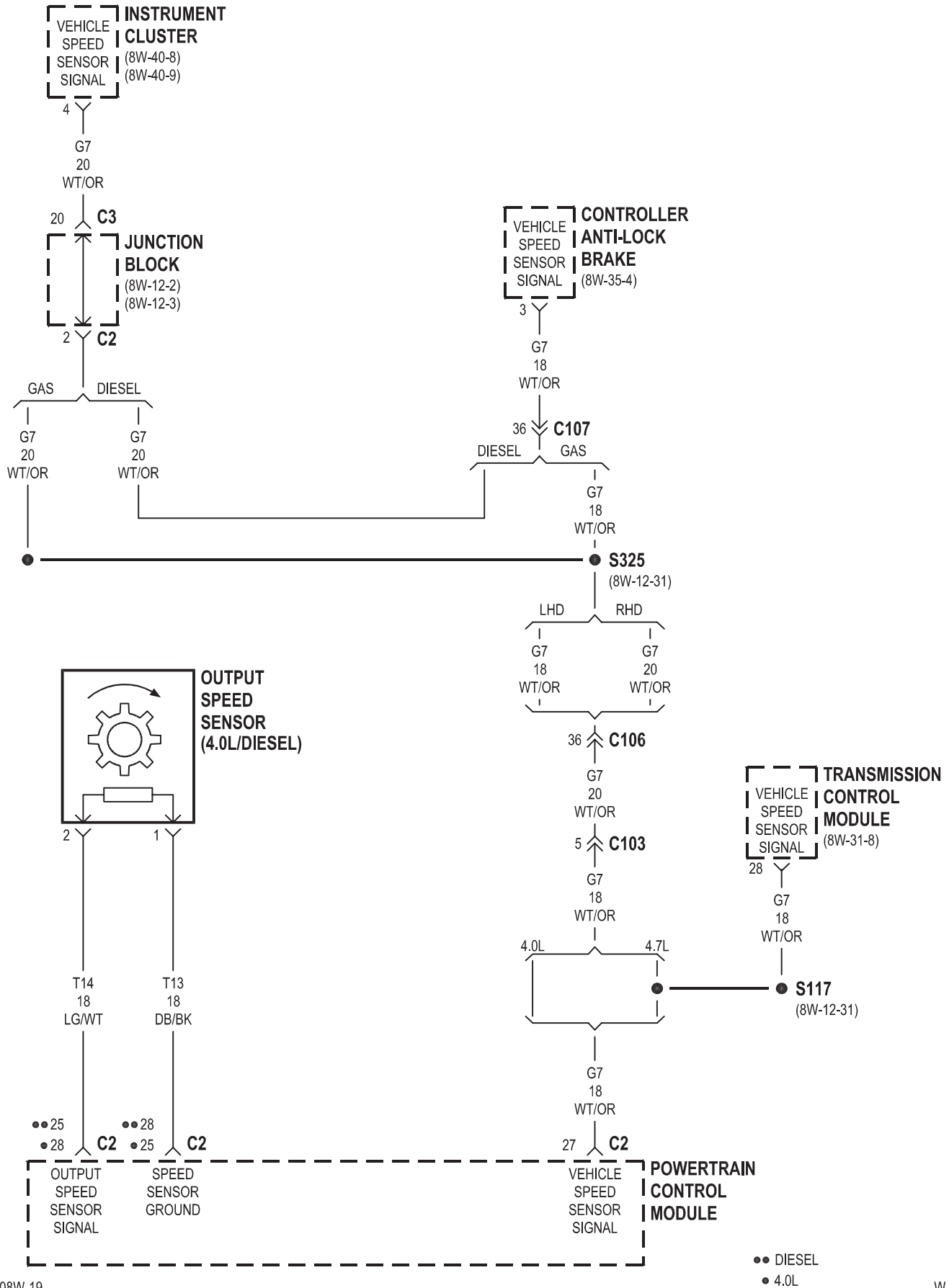
GAS



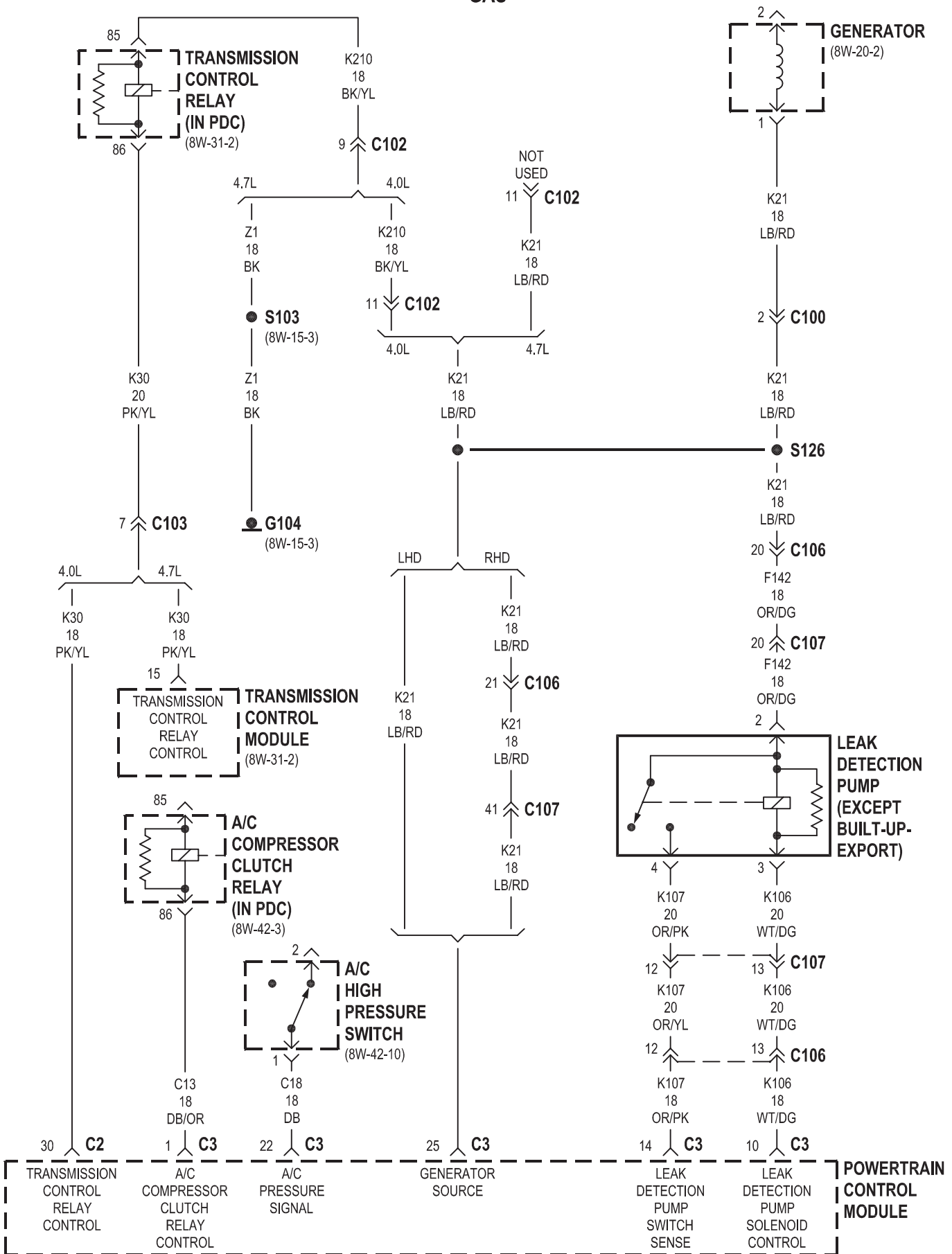
4.0L

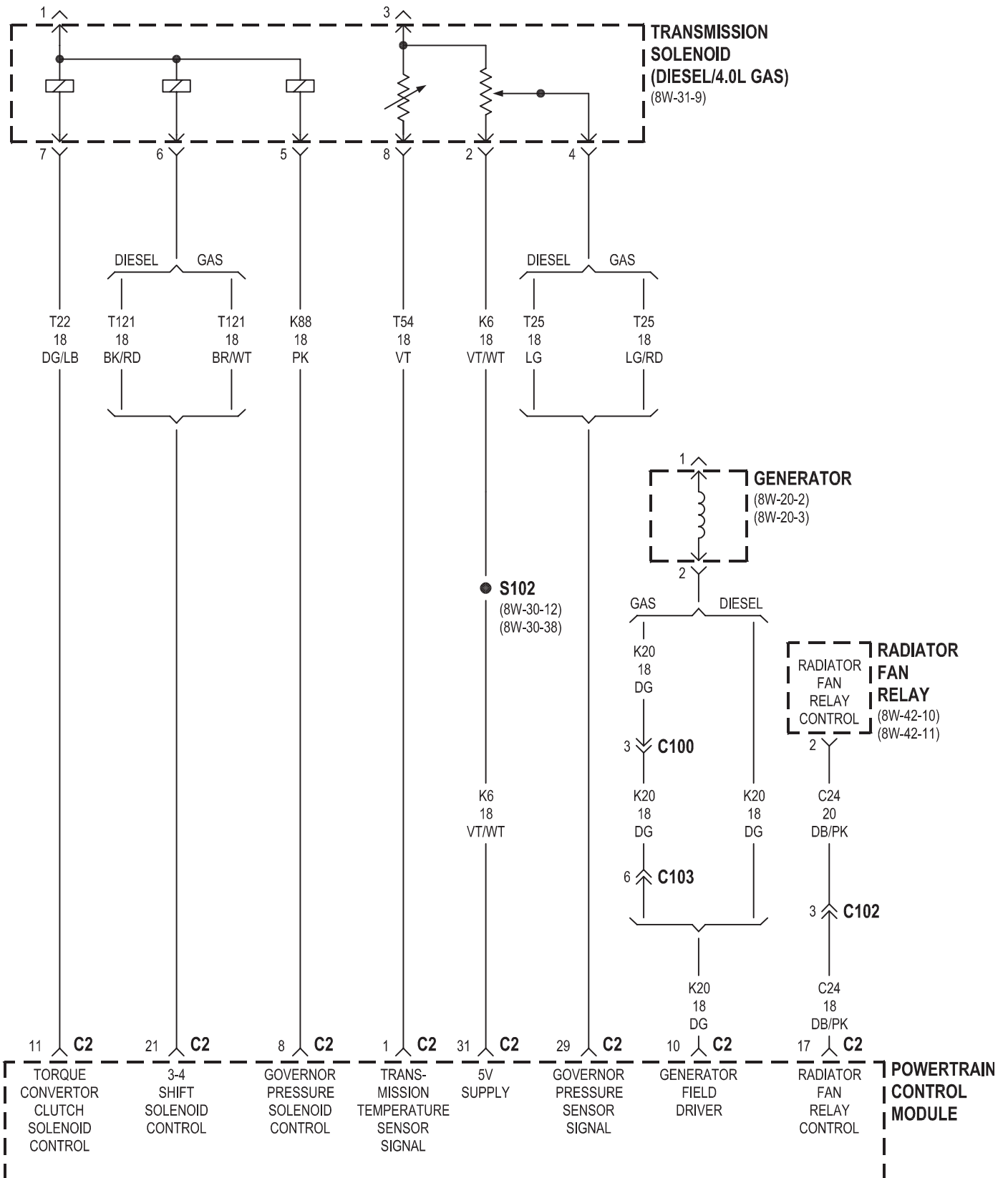




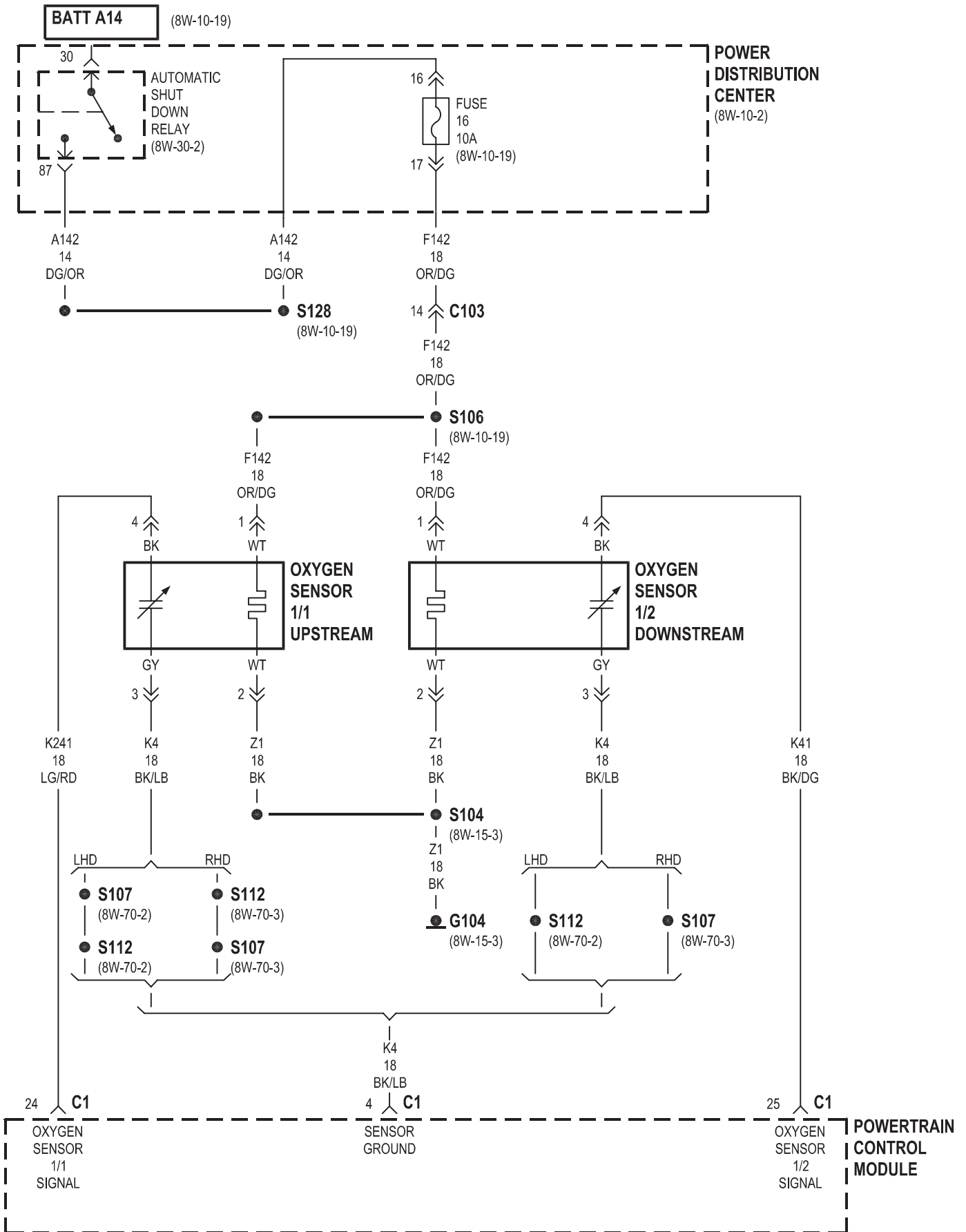


- DIESEL
- 4.0L

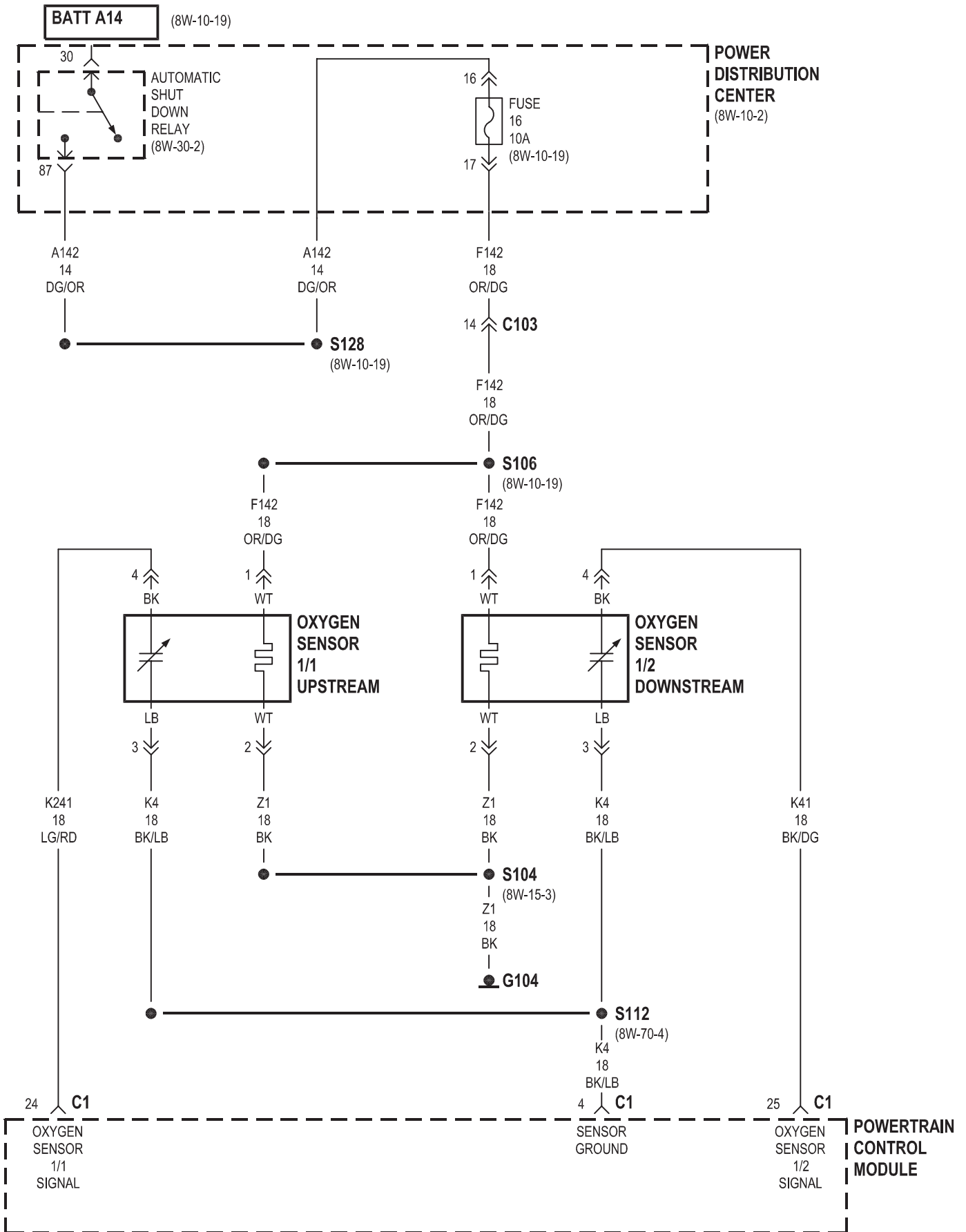


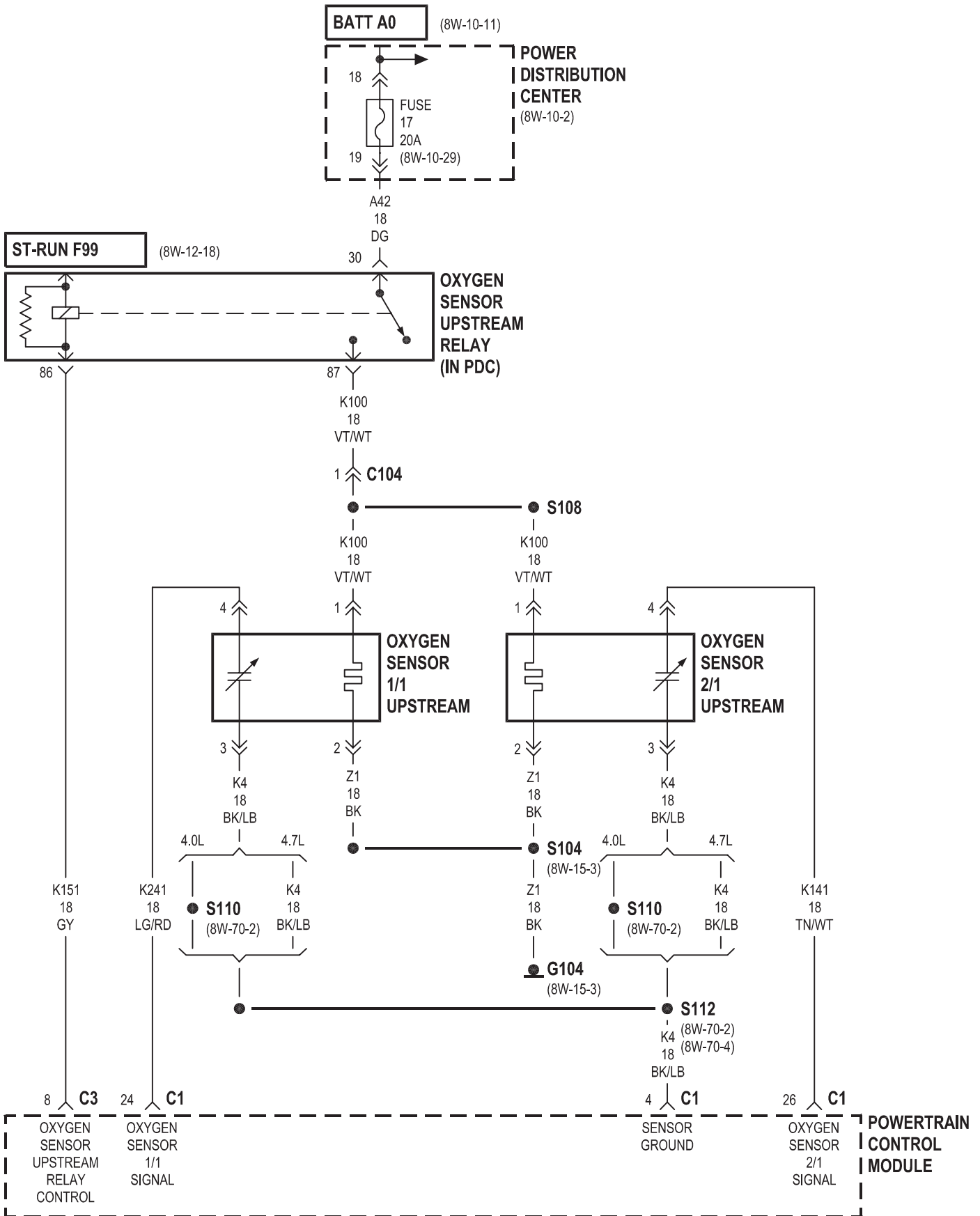


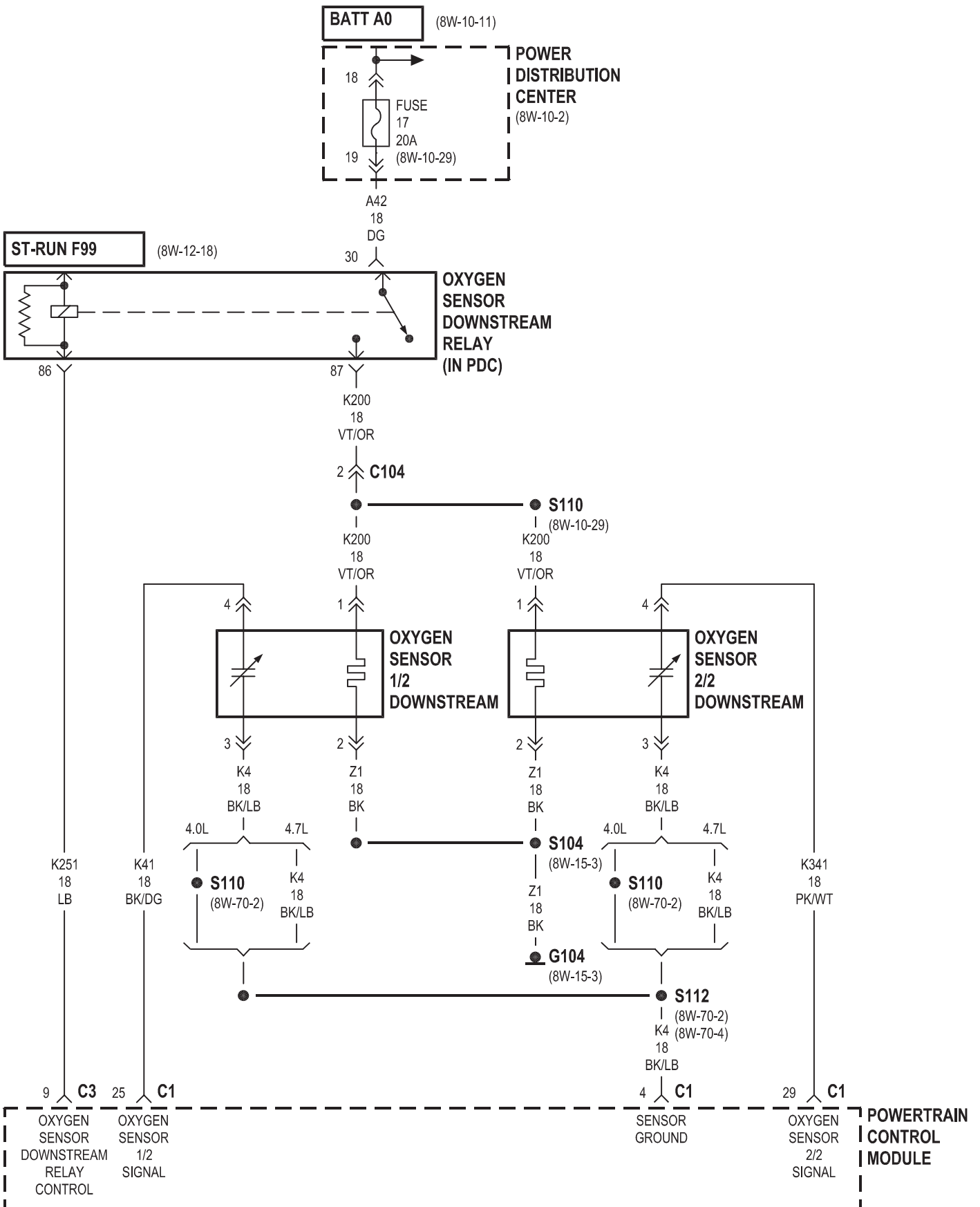
4.0L



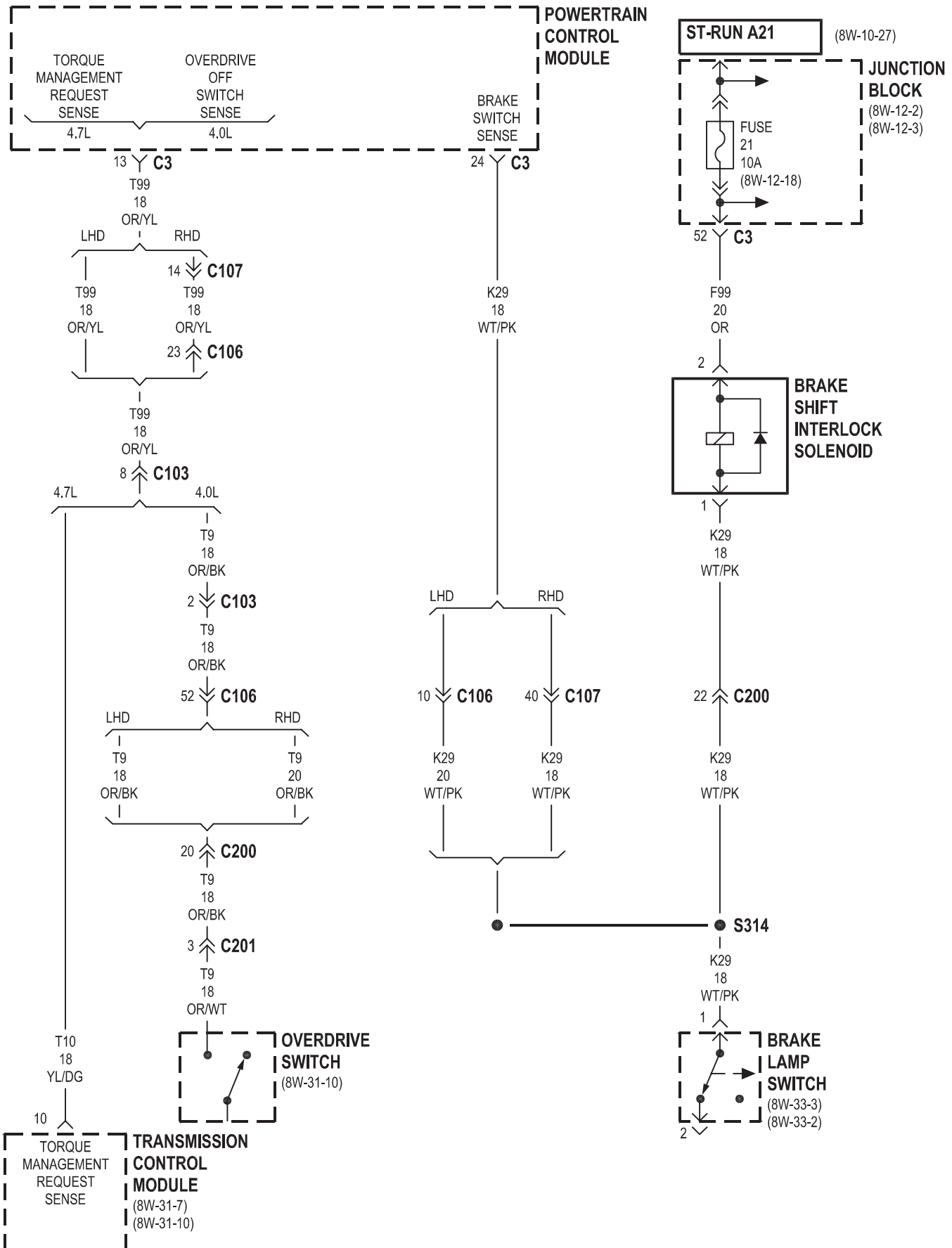
4.7L



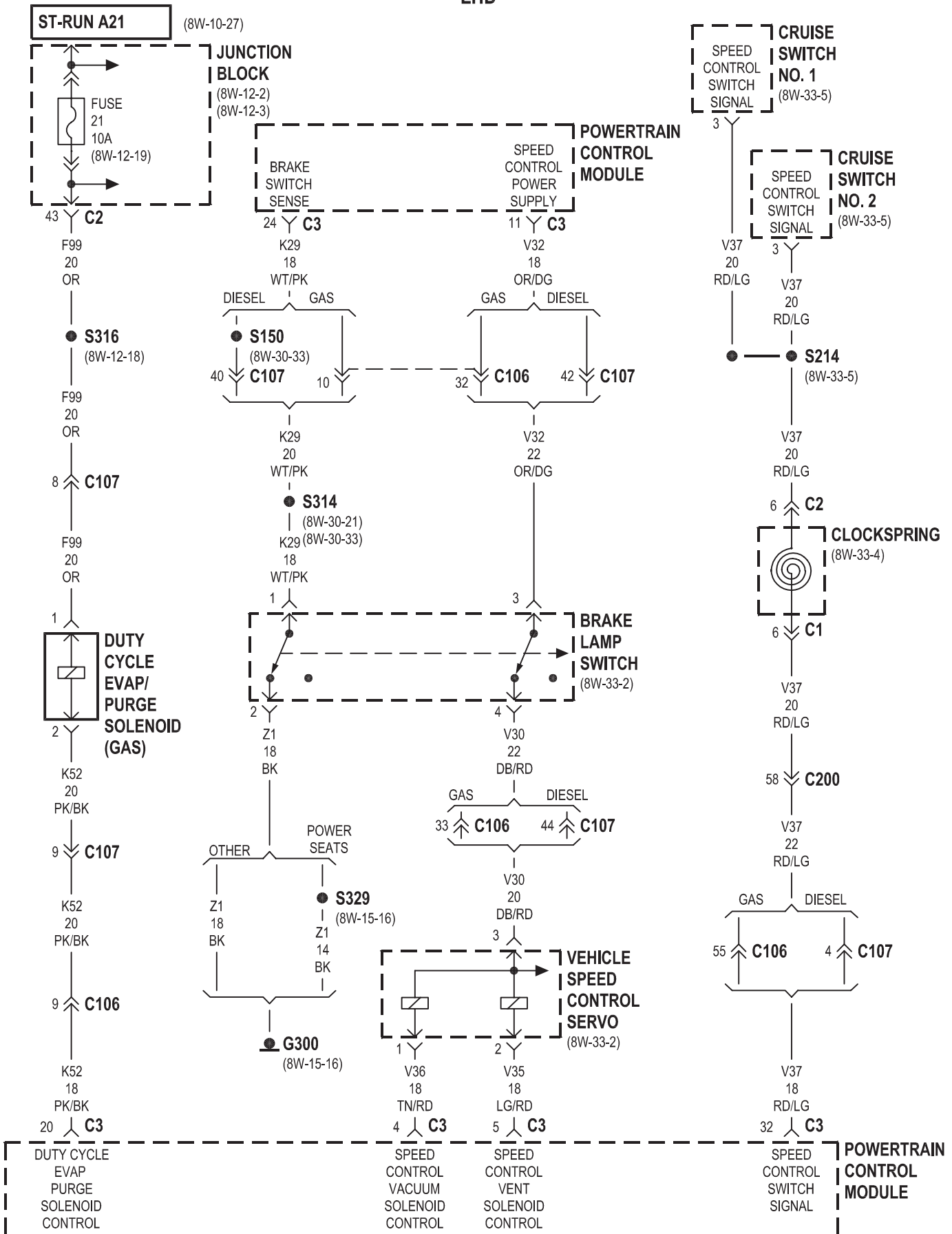




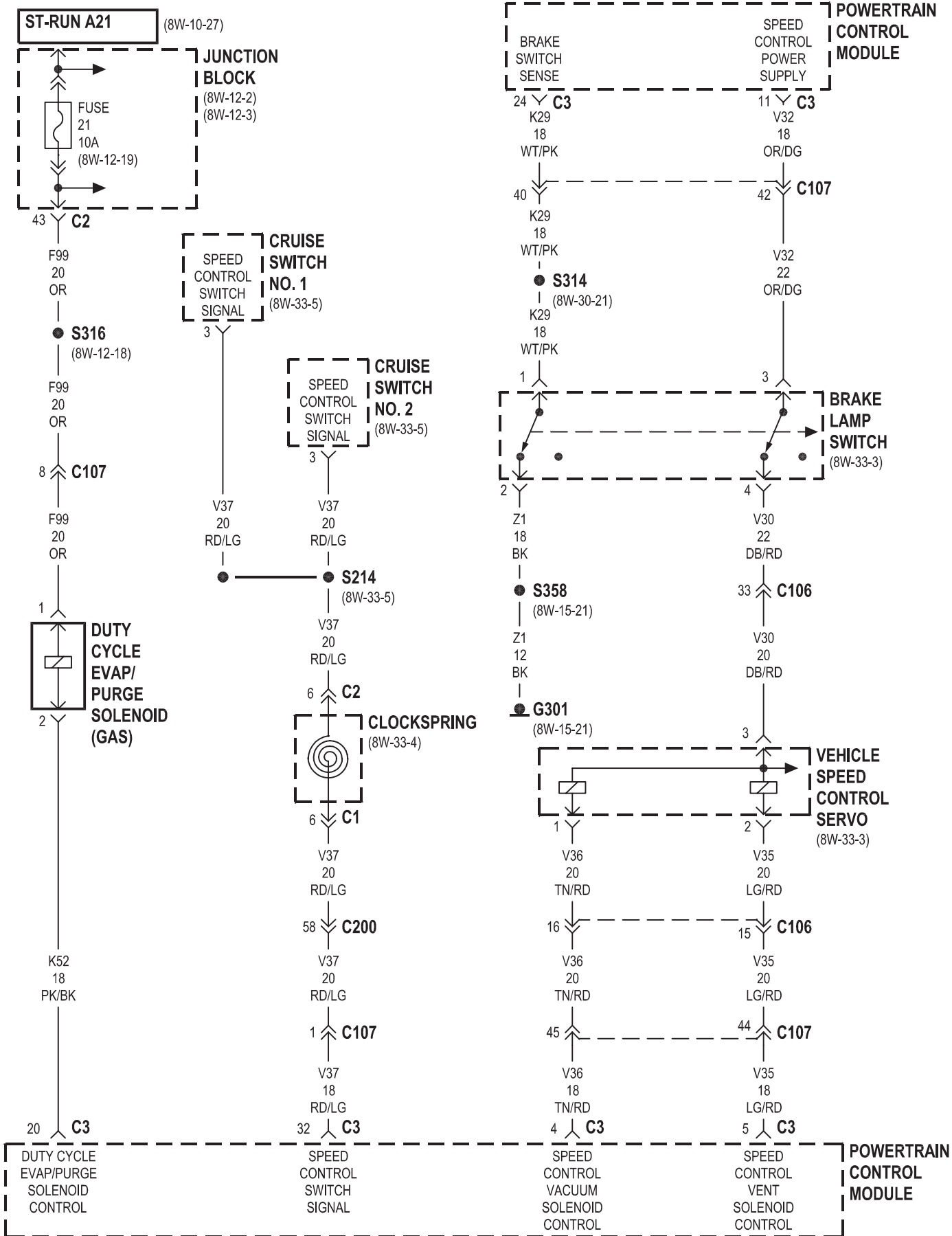
GAS



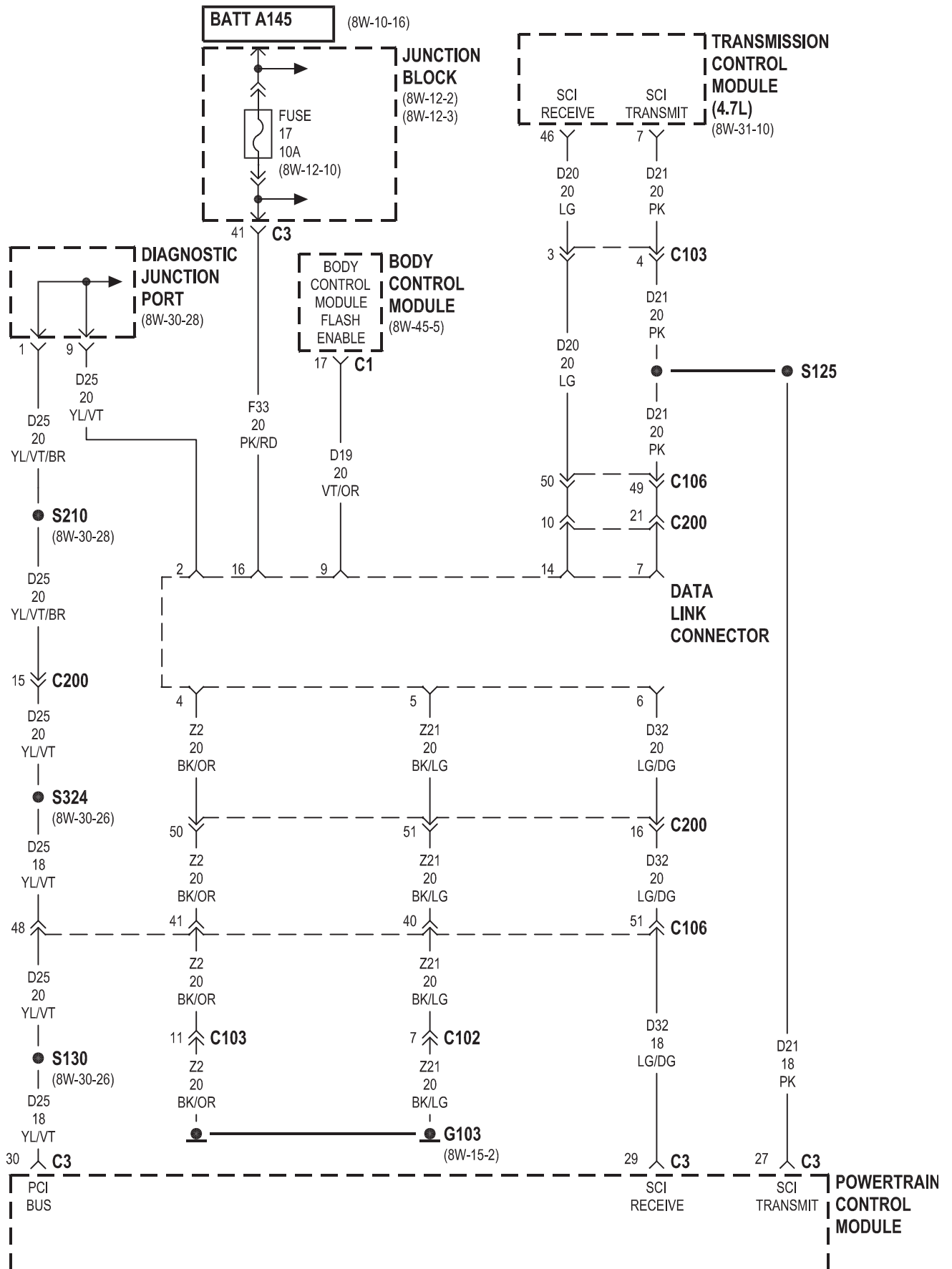
LHD



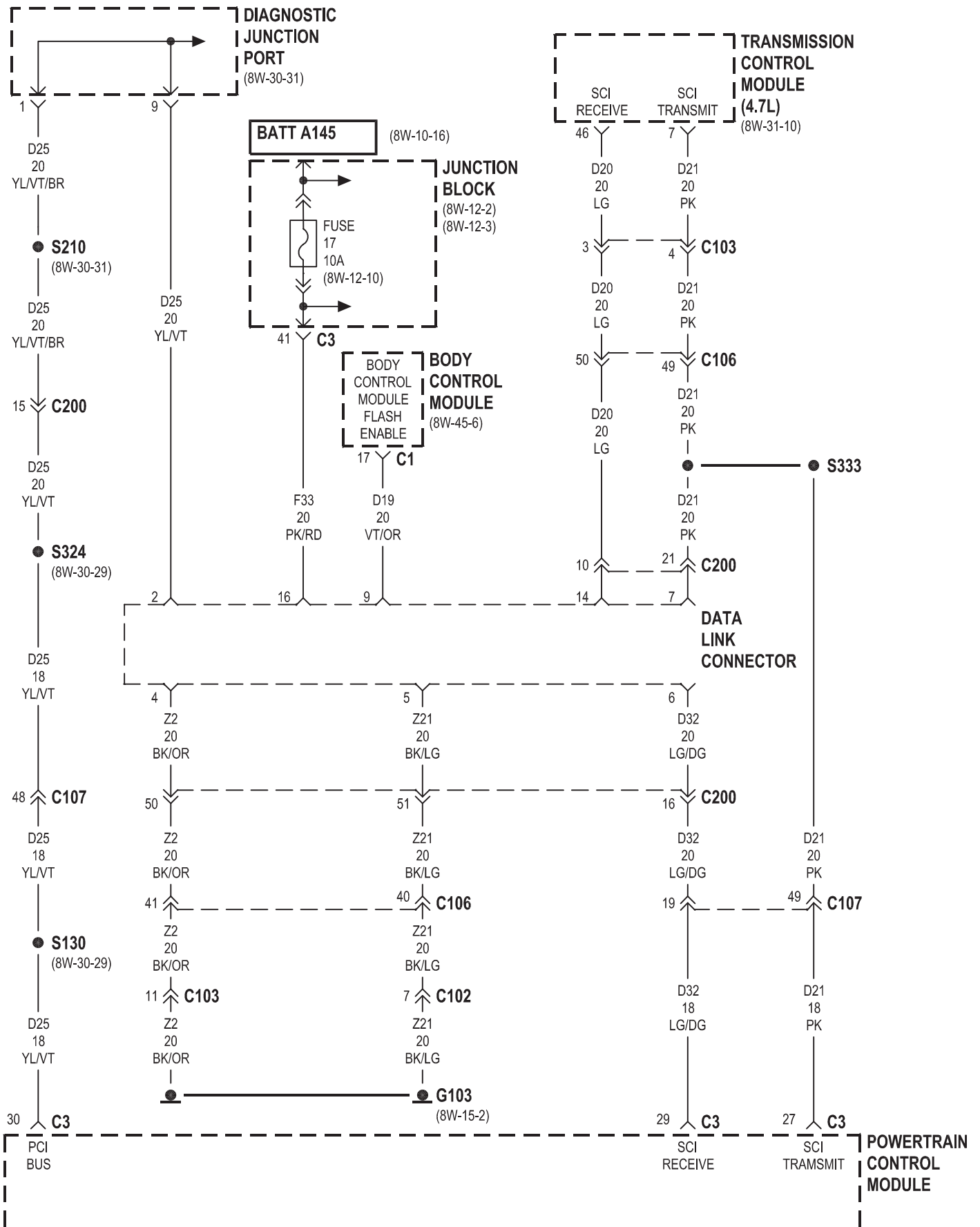
RHD

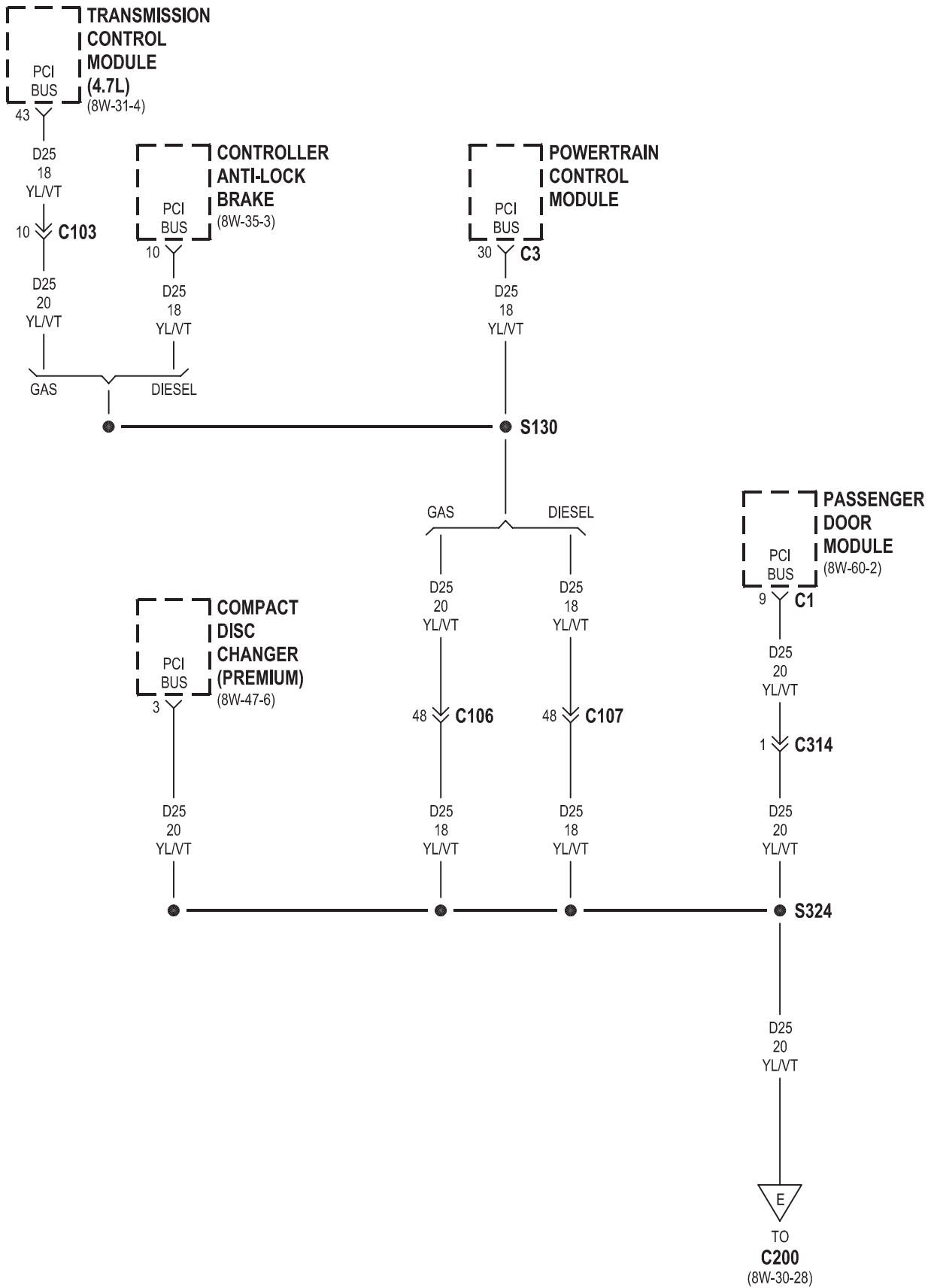


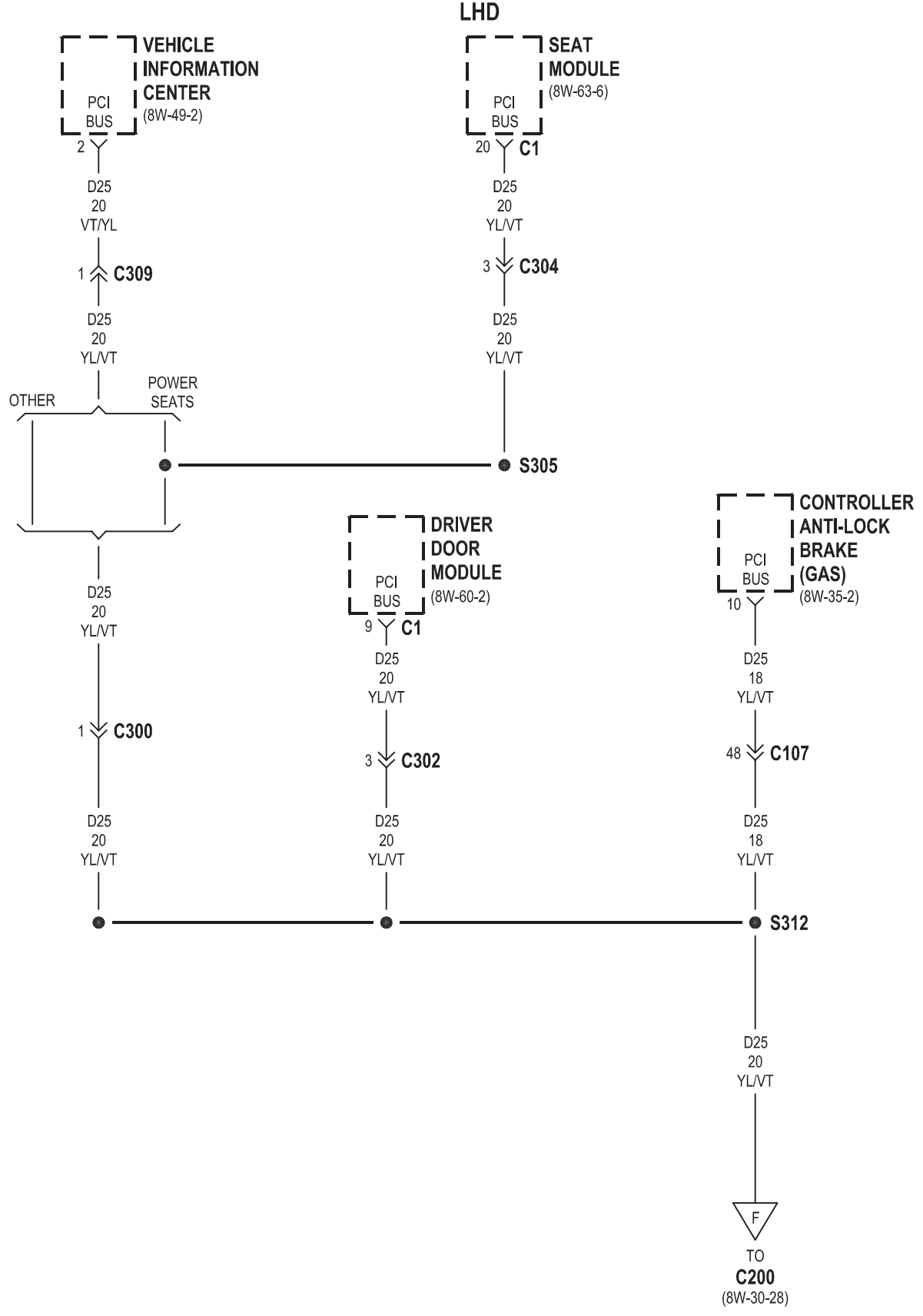
LHD GAS

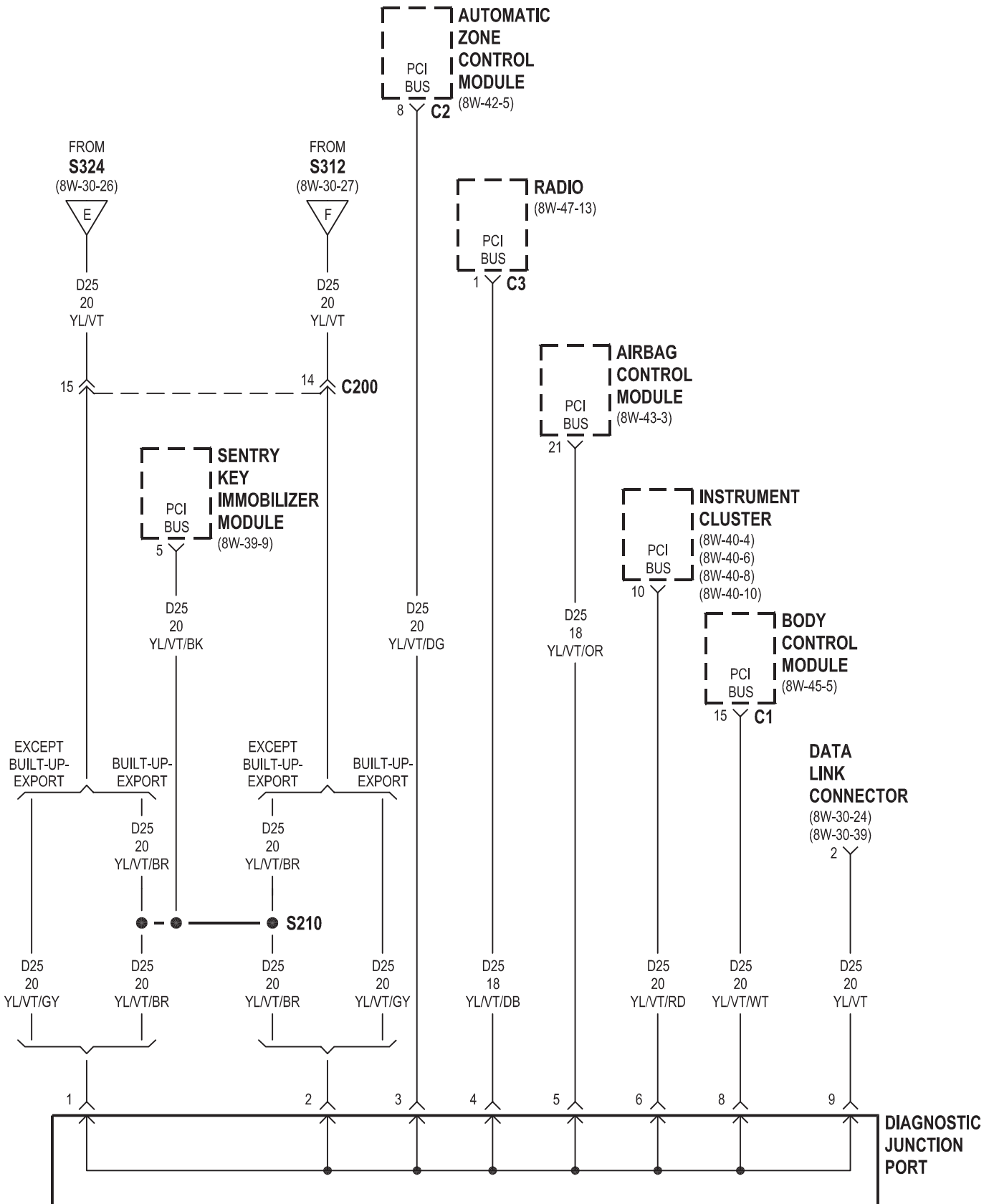


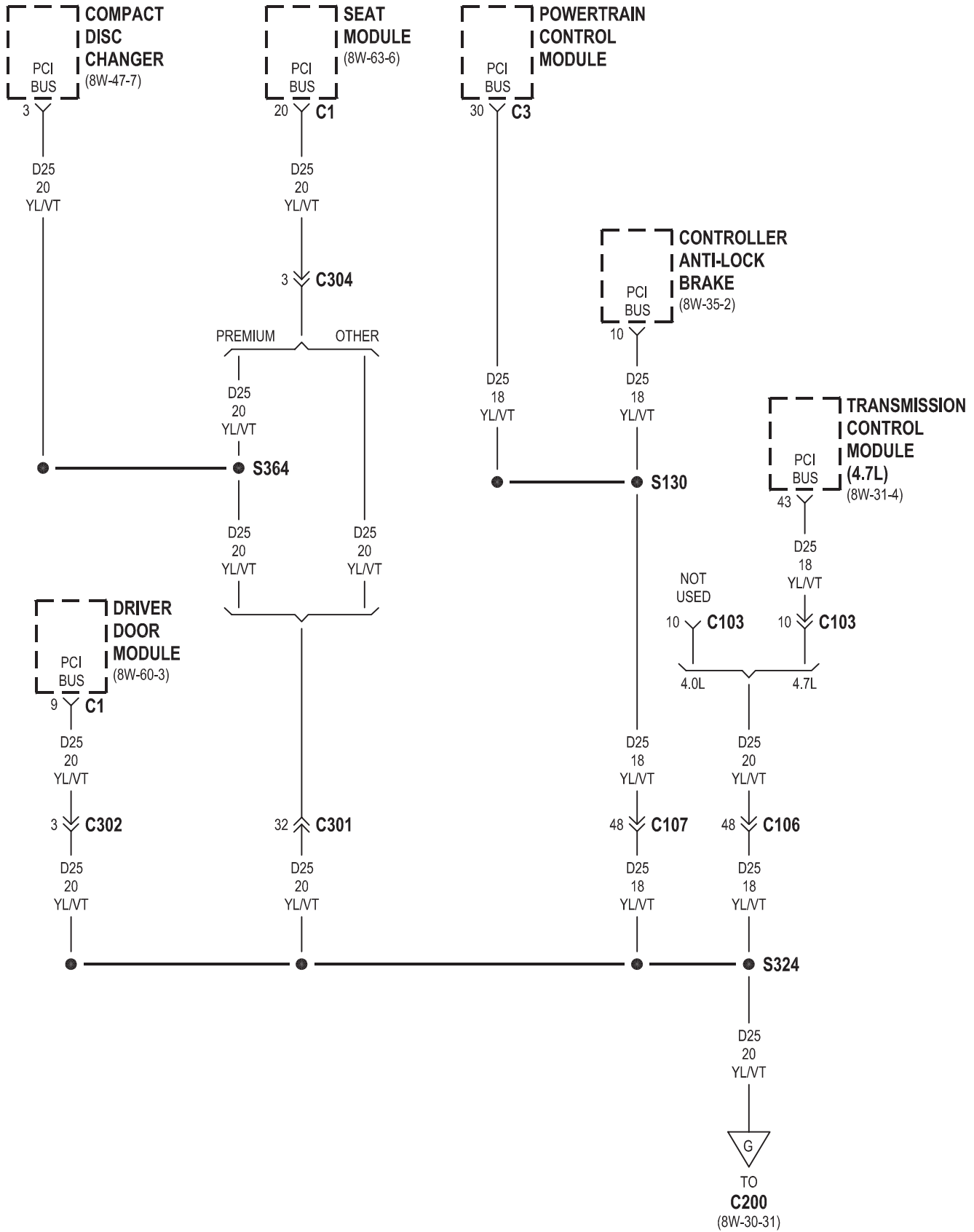
RHD GAS

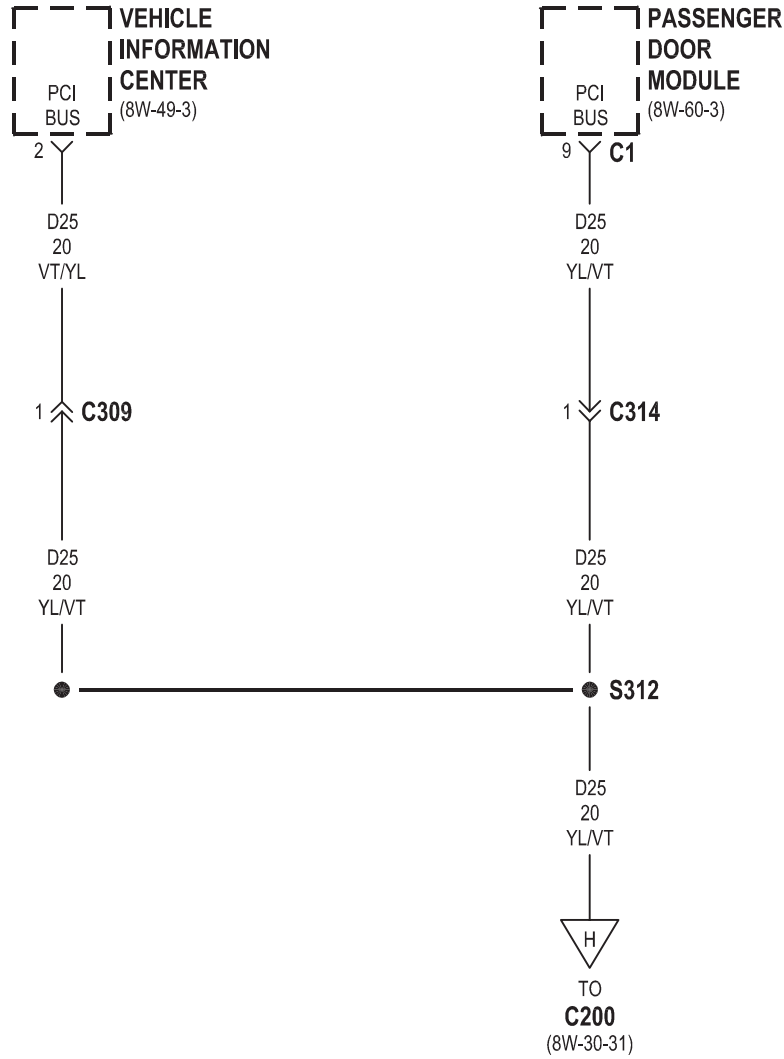


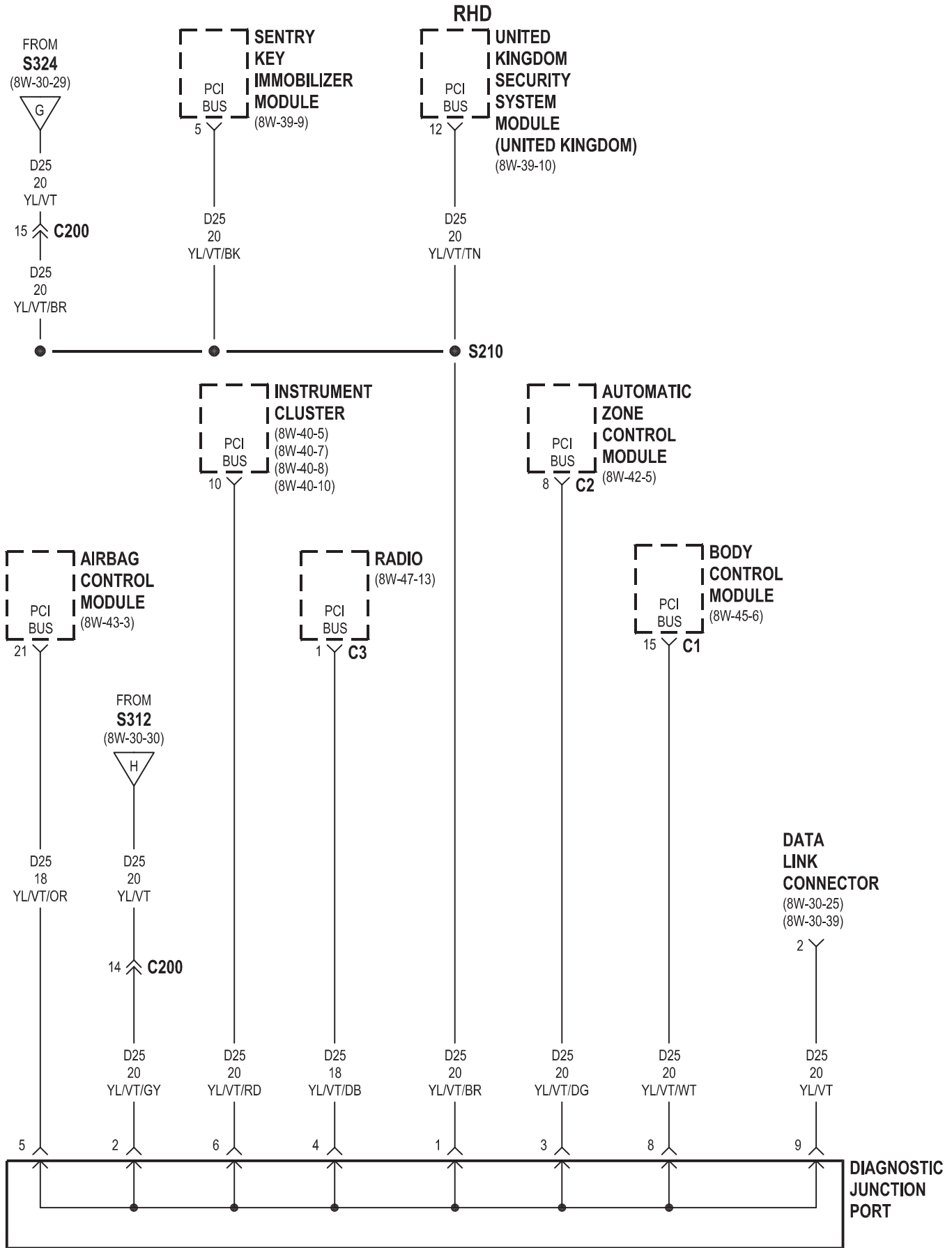


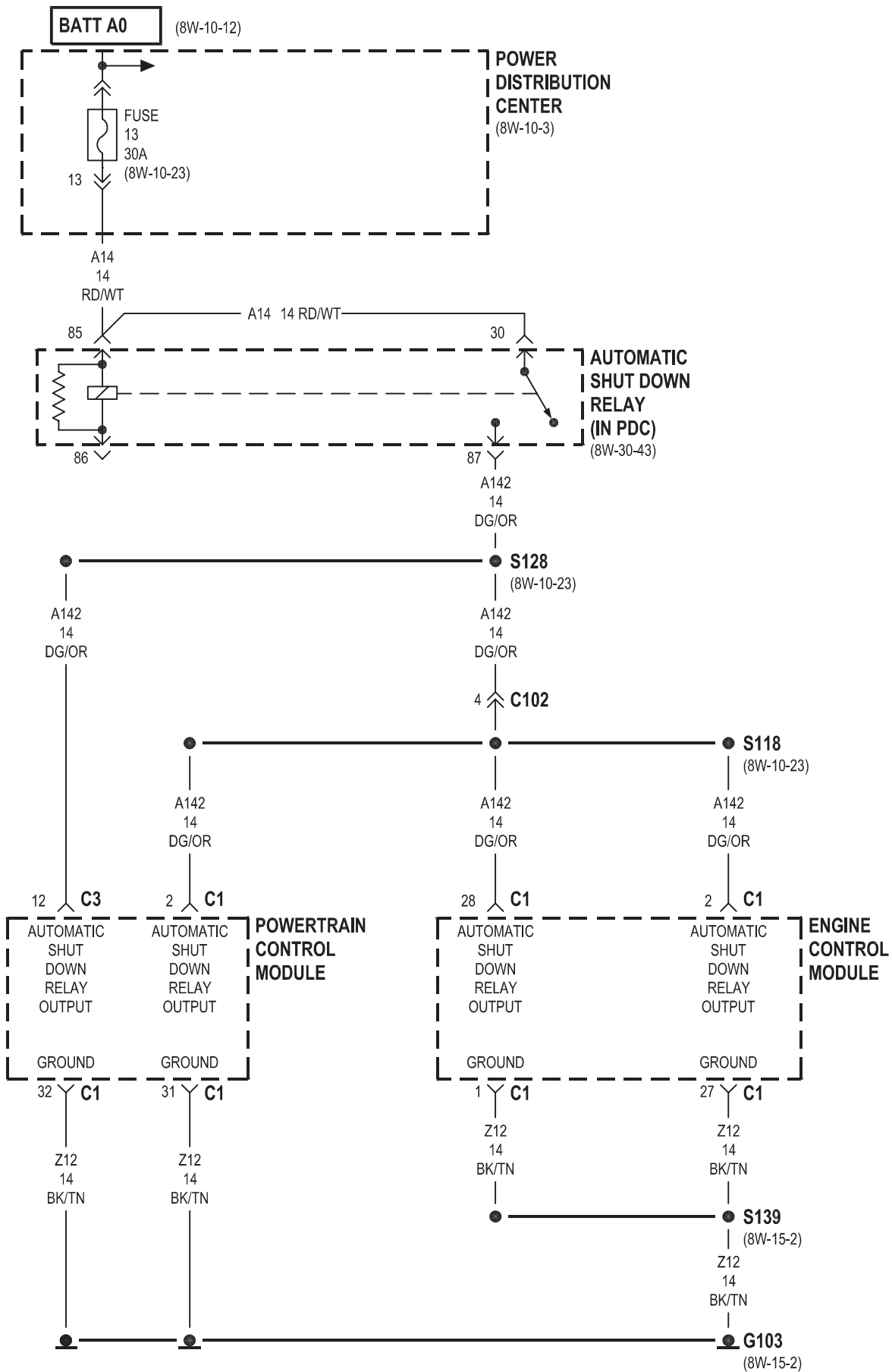




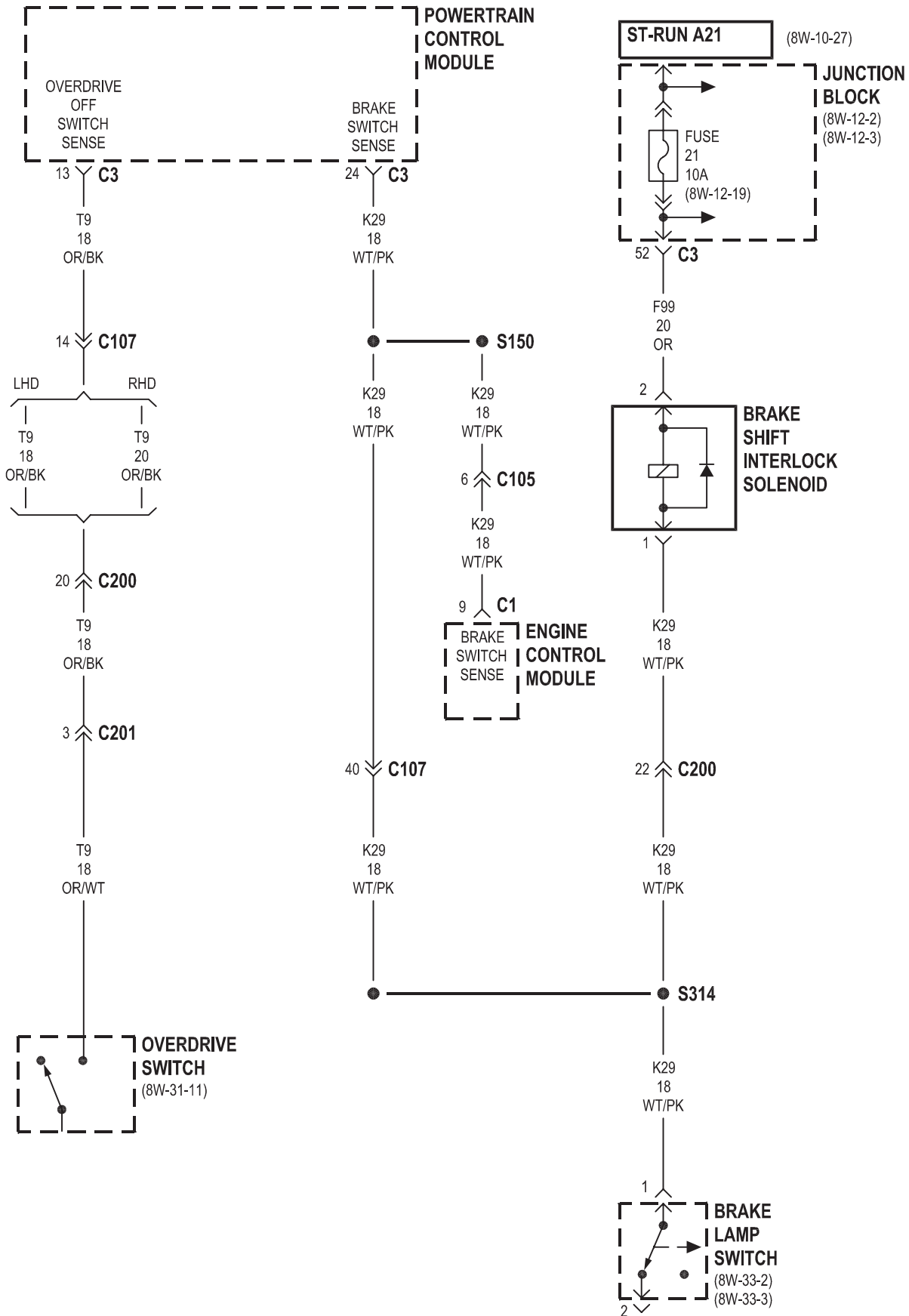




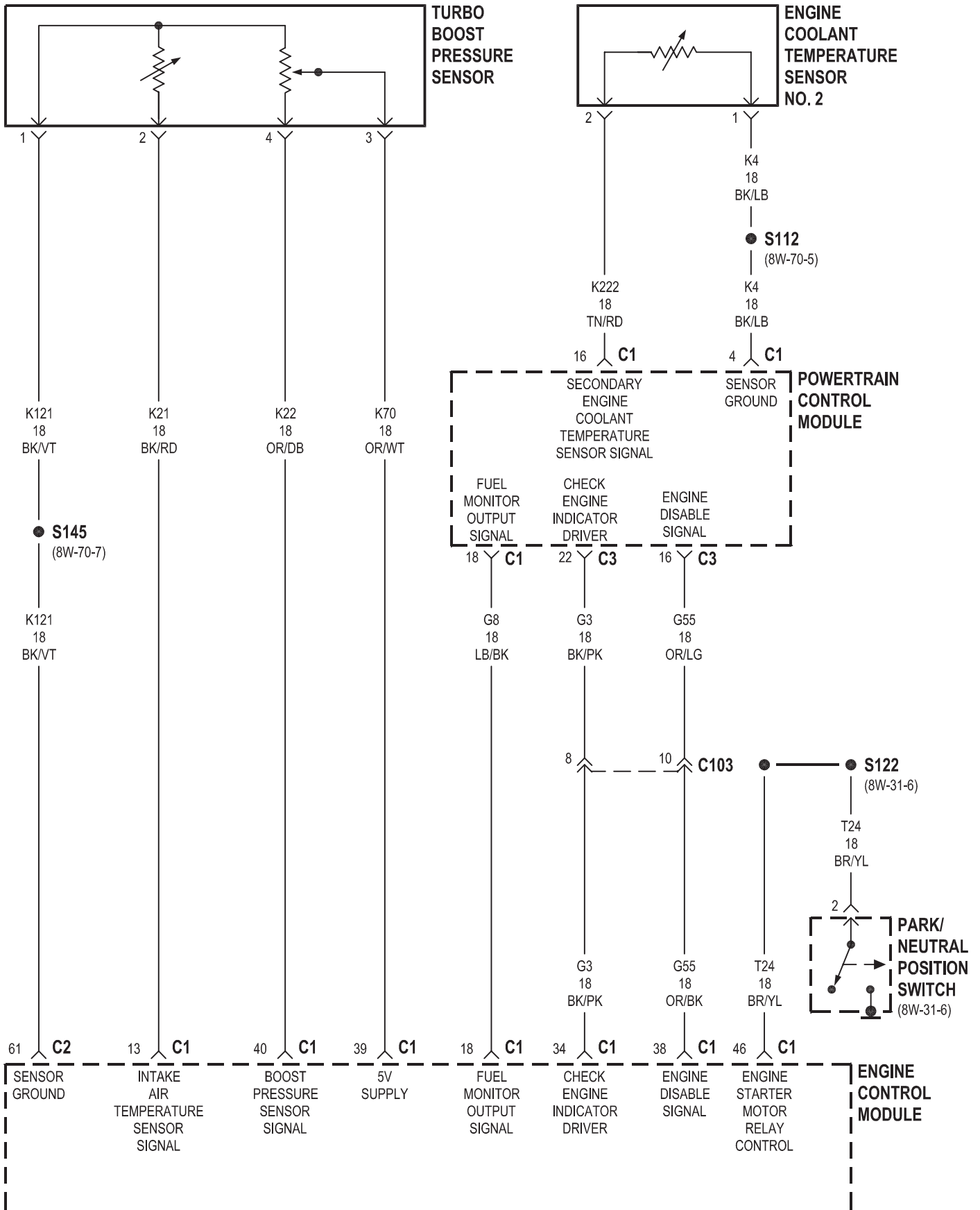


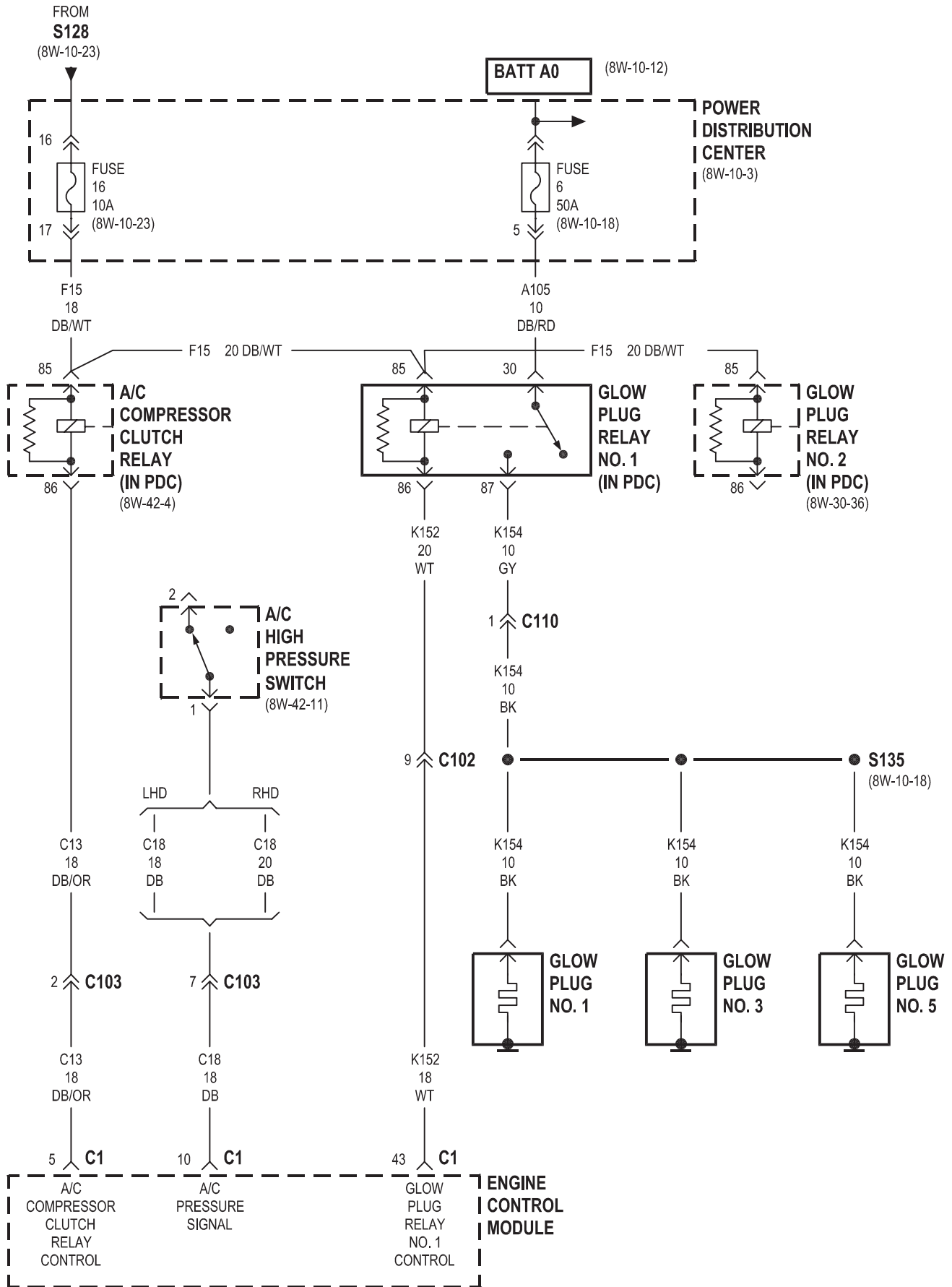


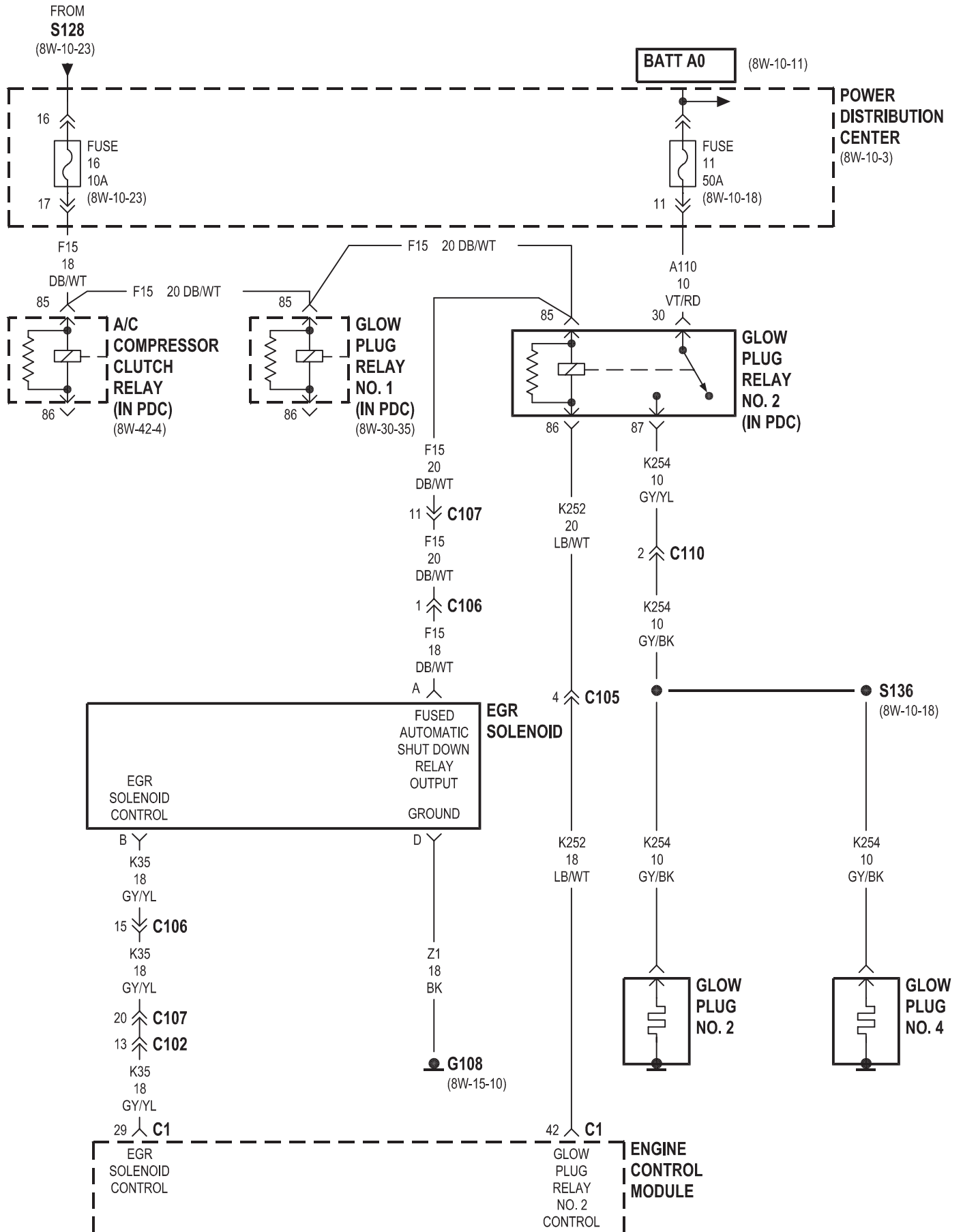
DIESEL

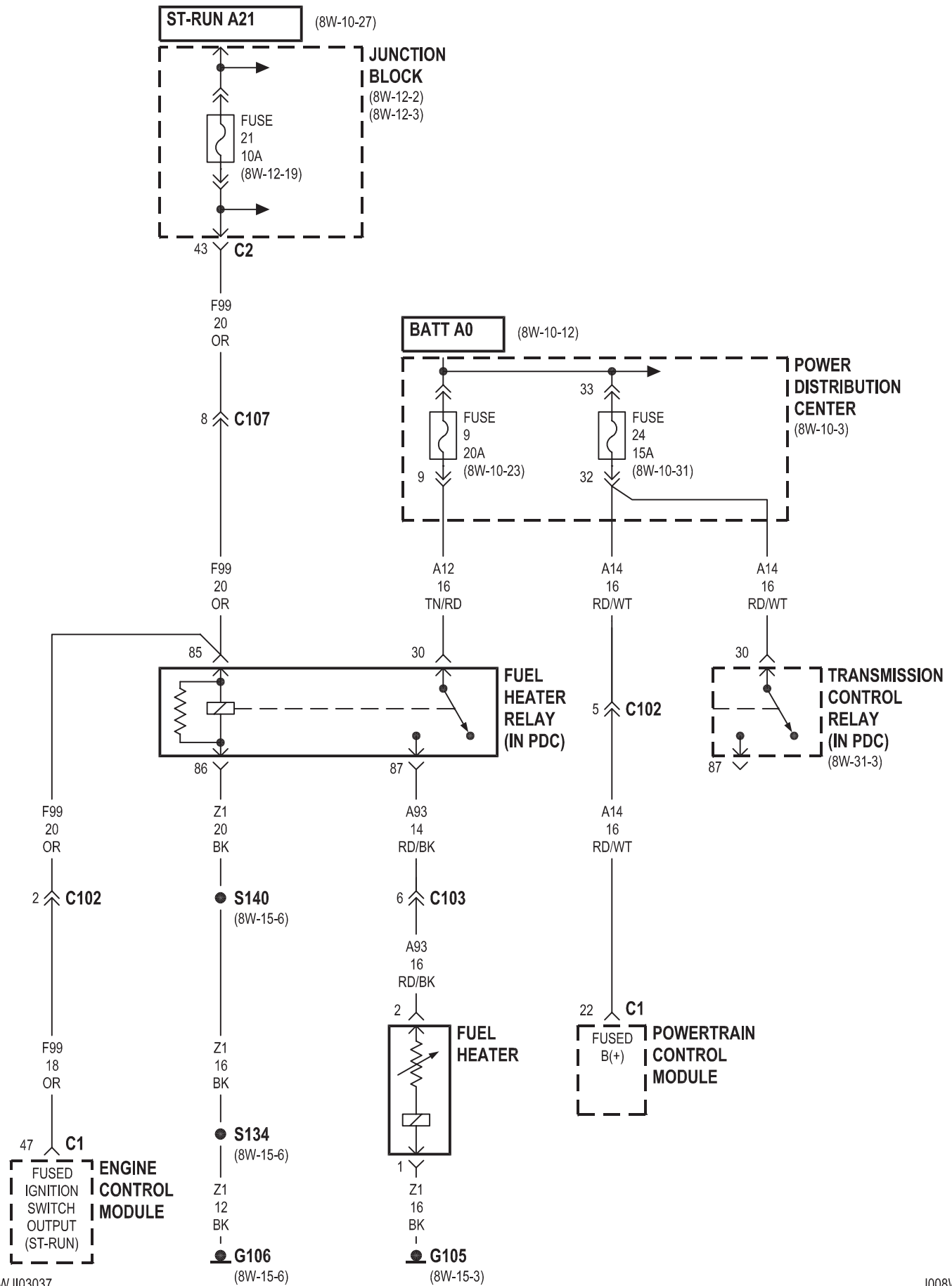


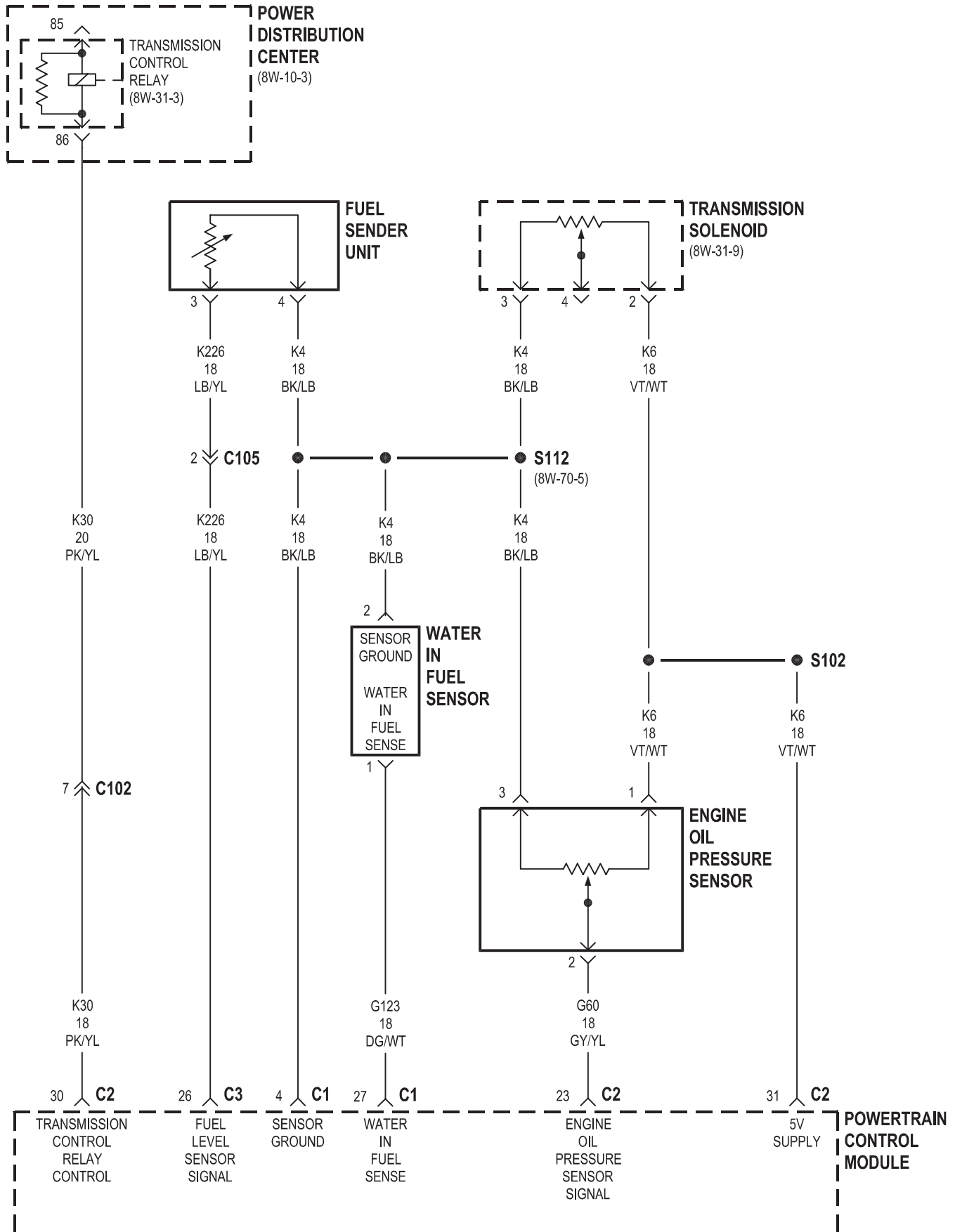
DIESEL

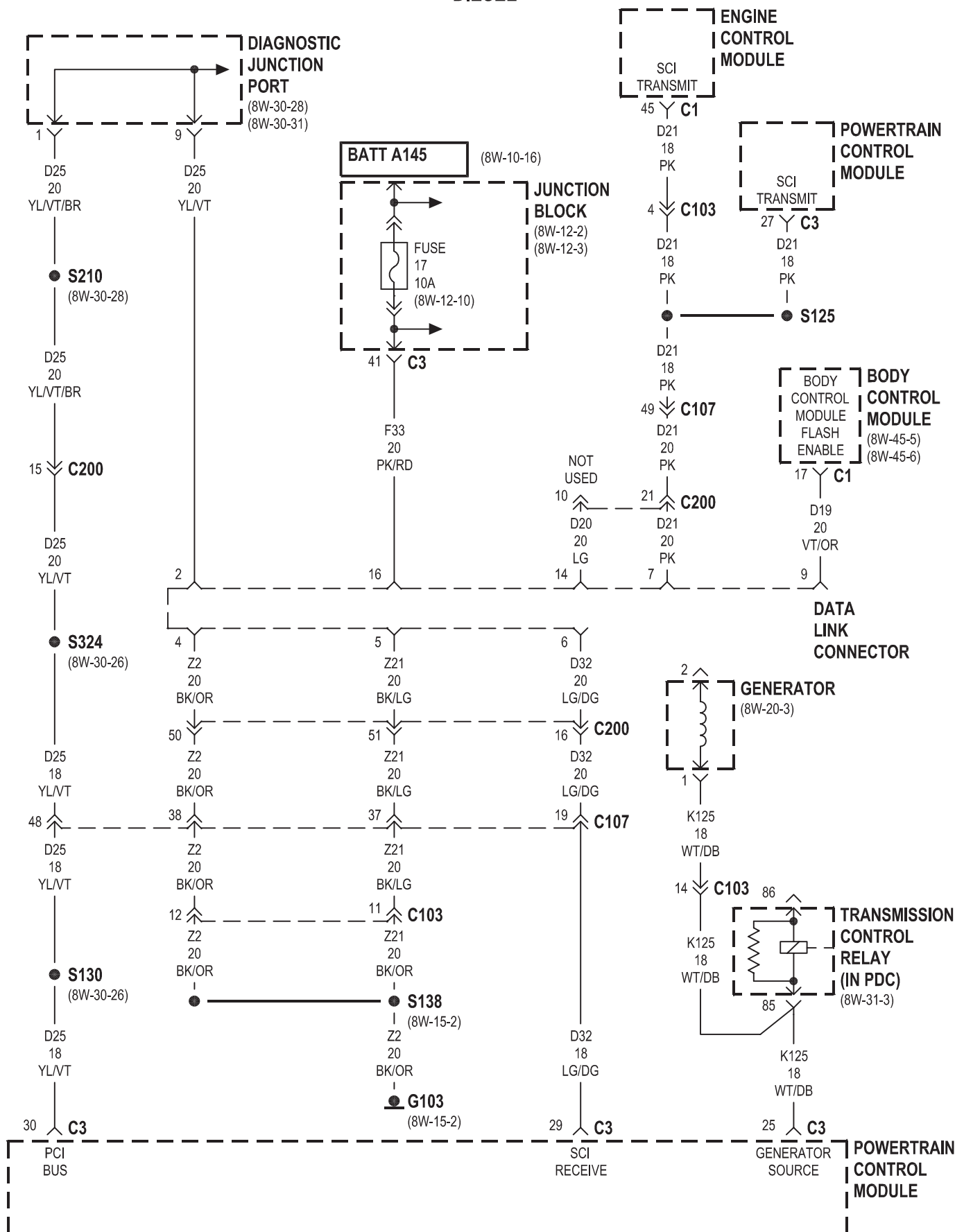


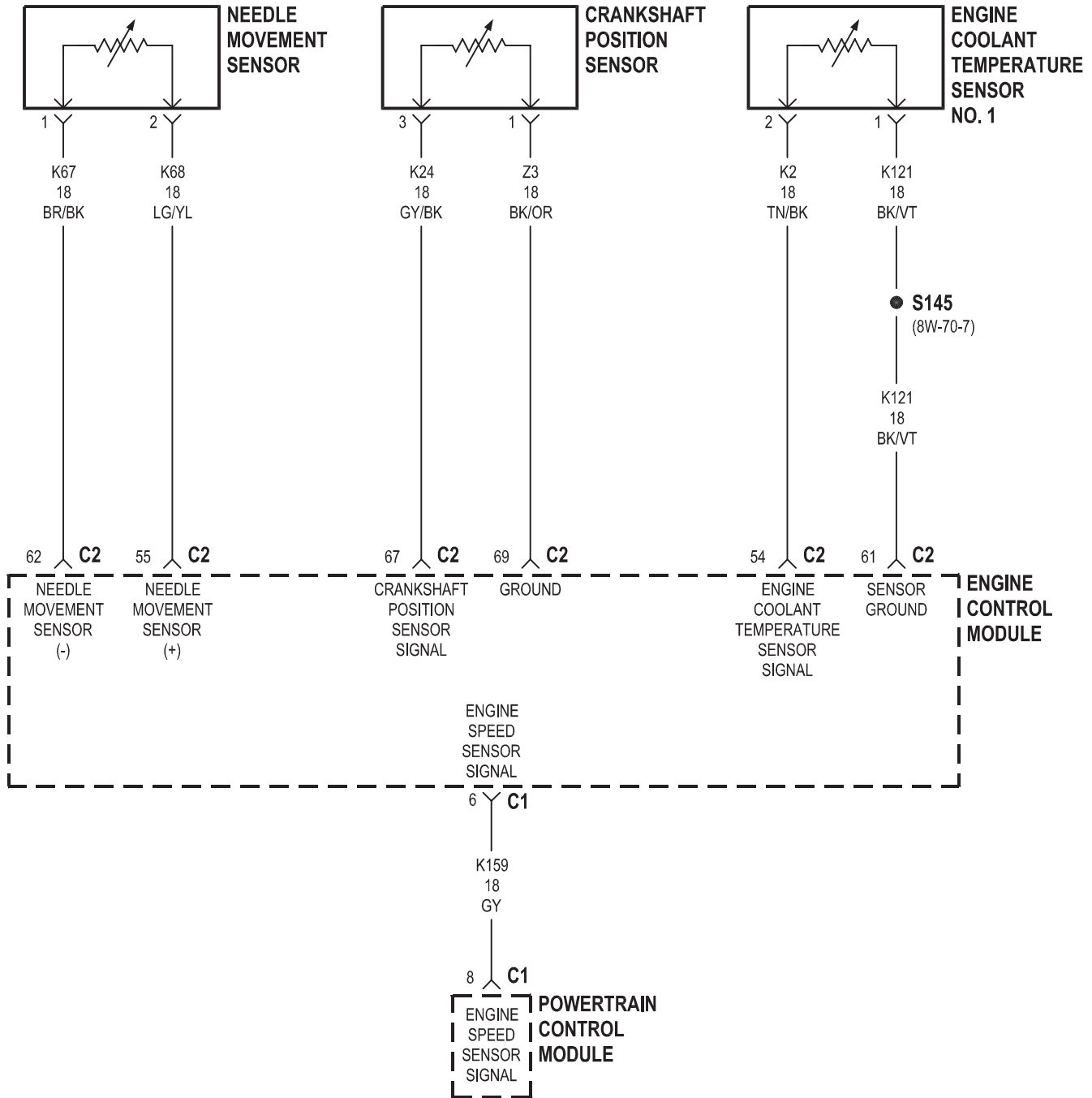


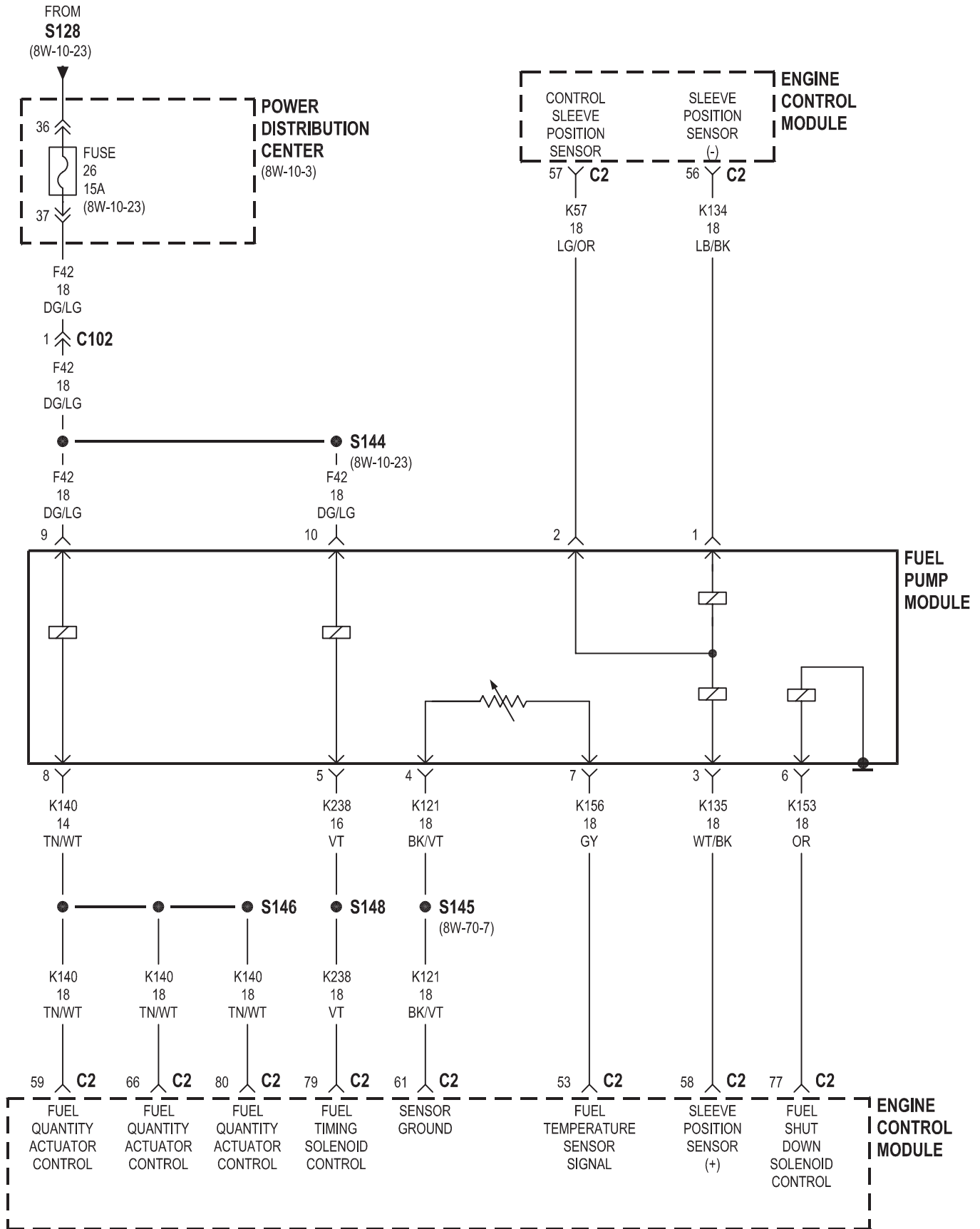


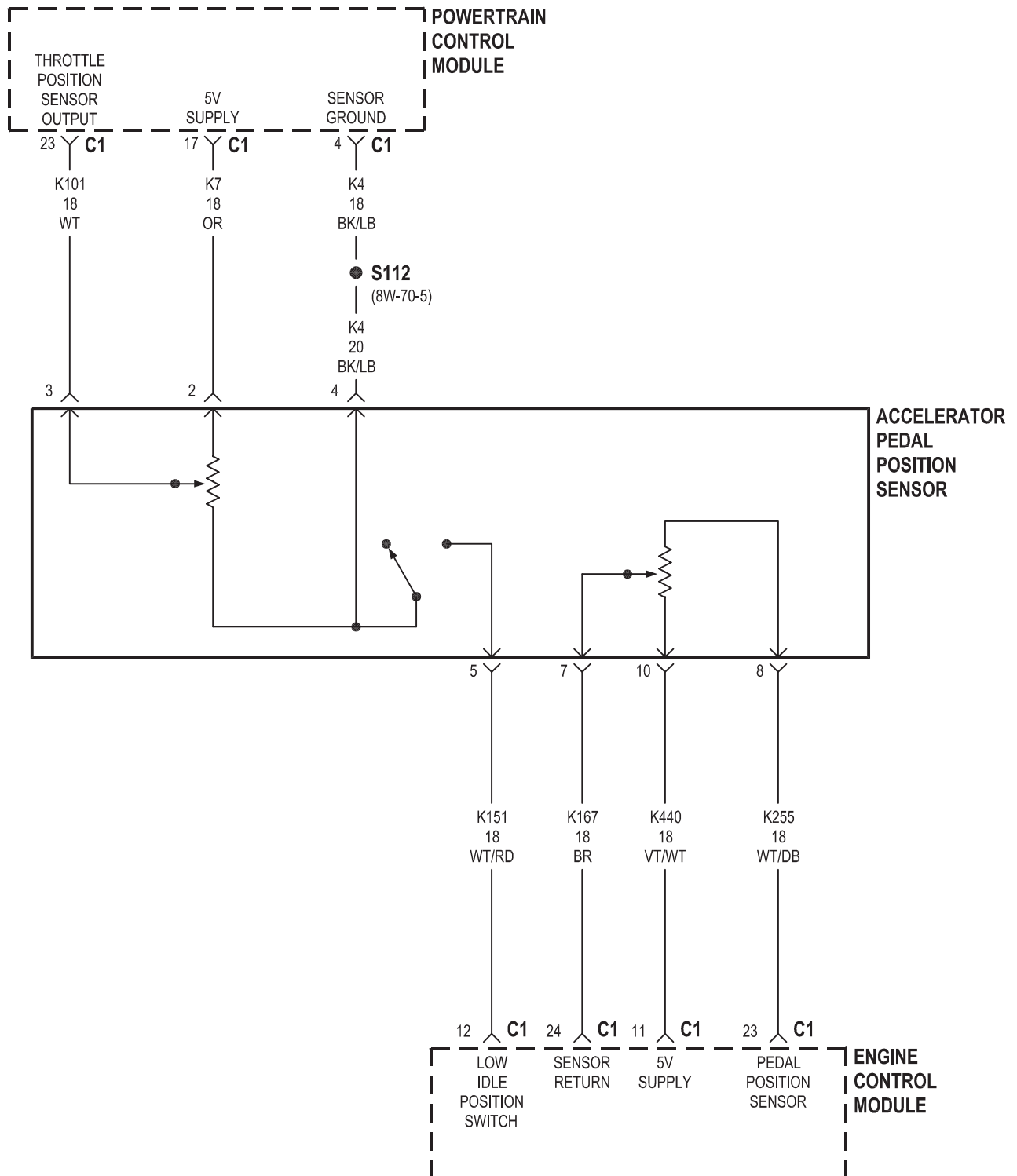


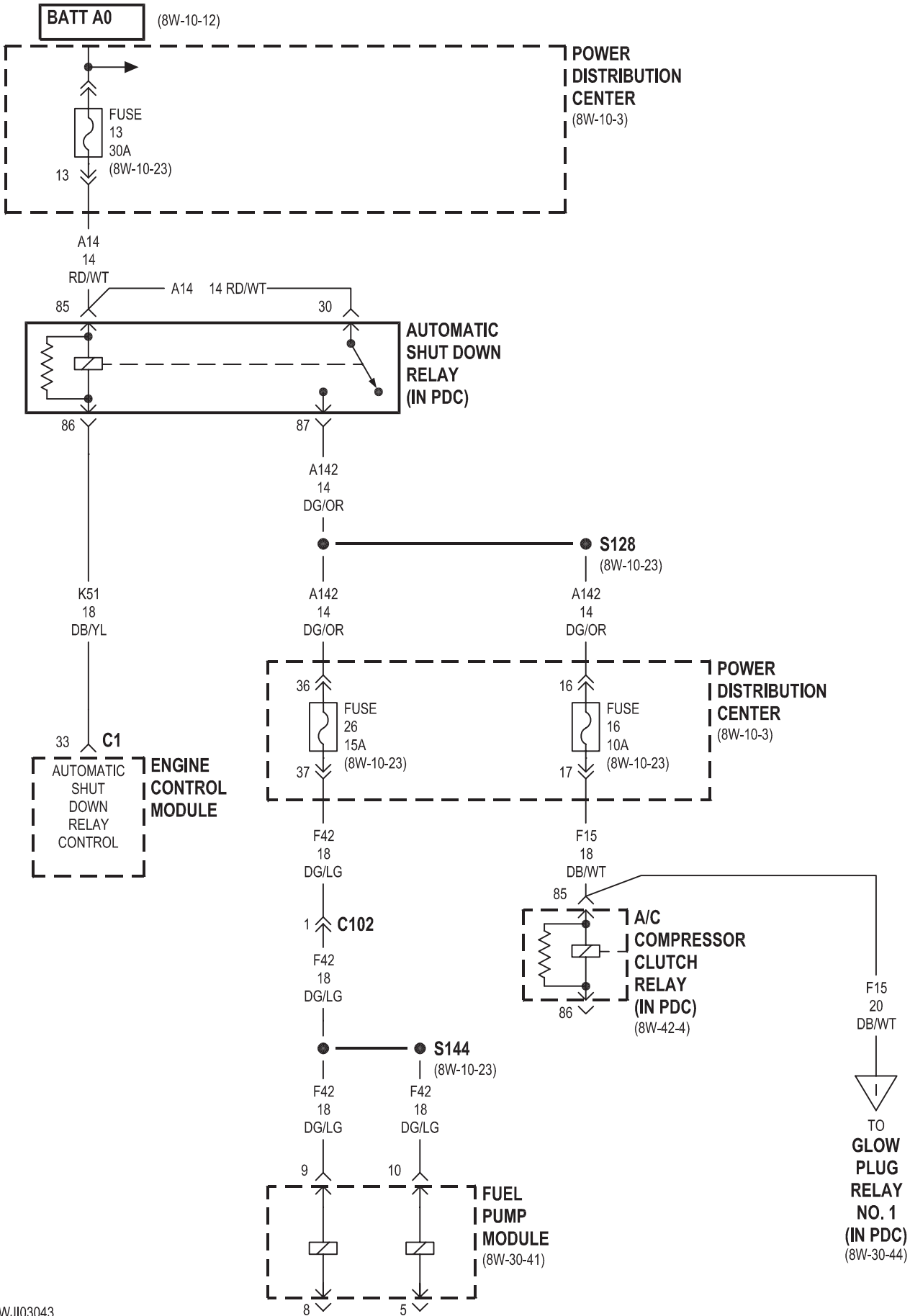


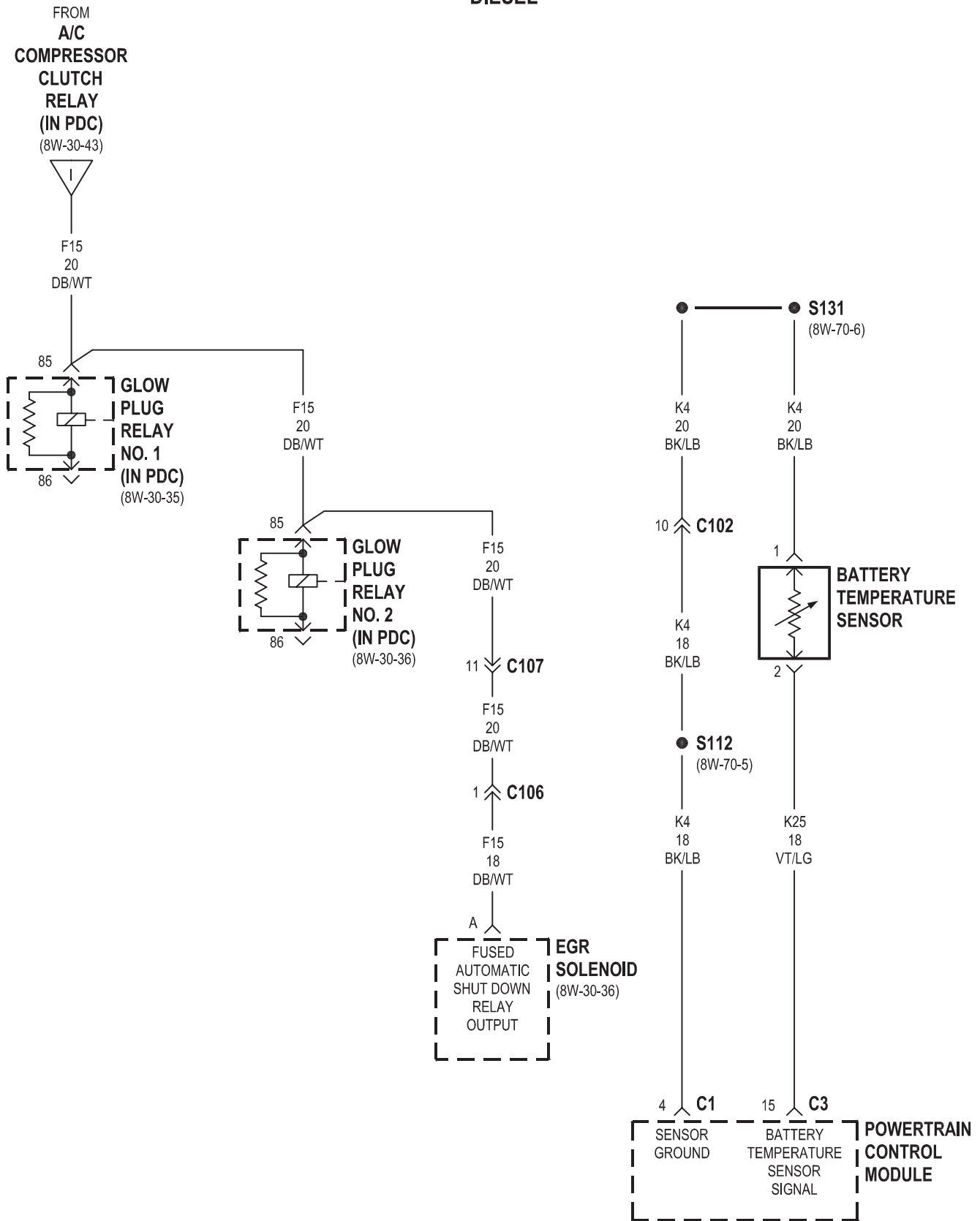




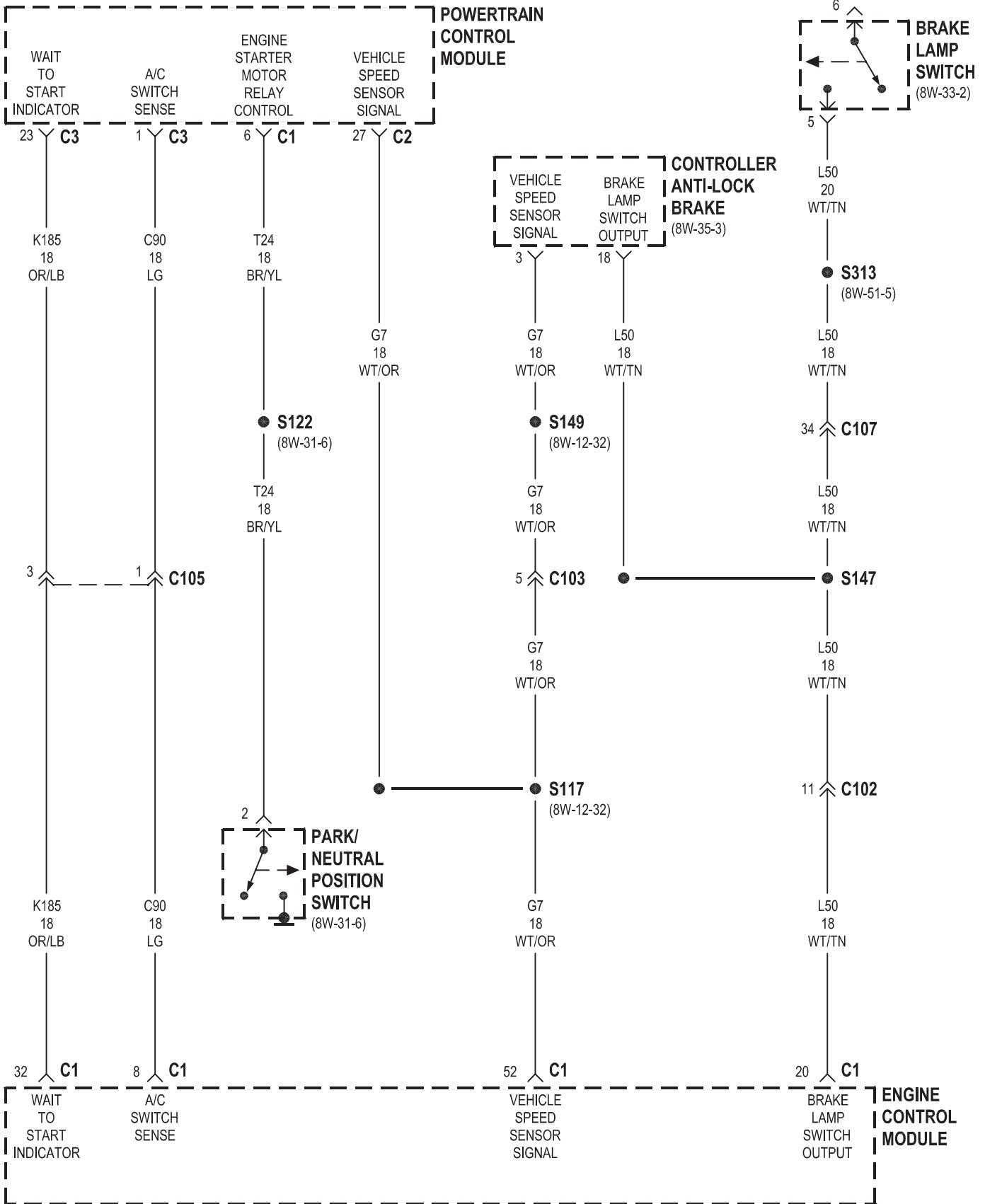








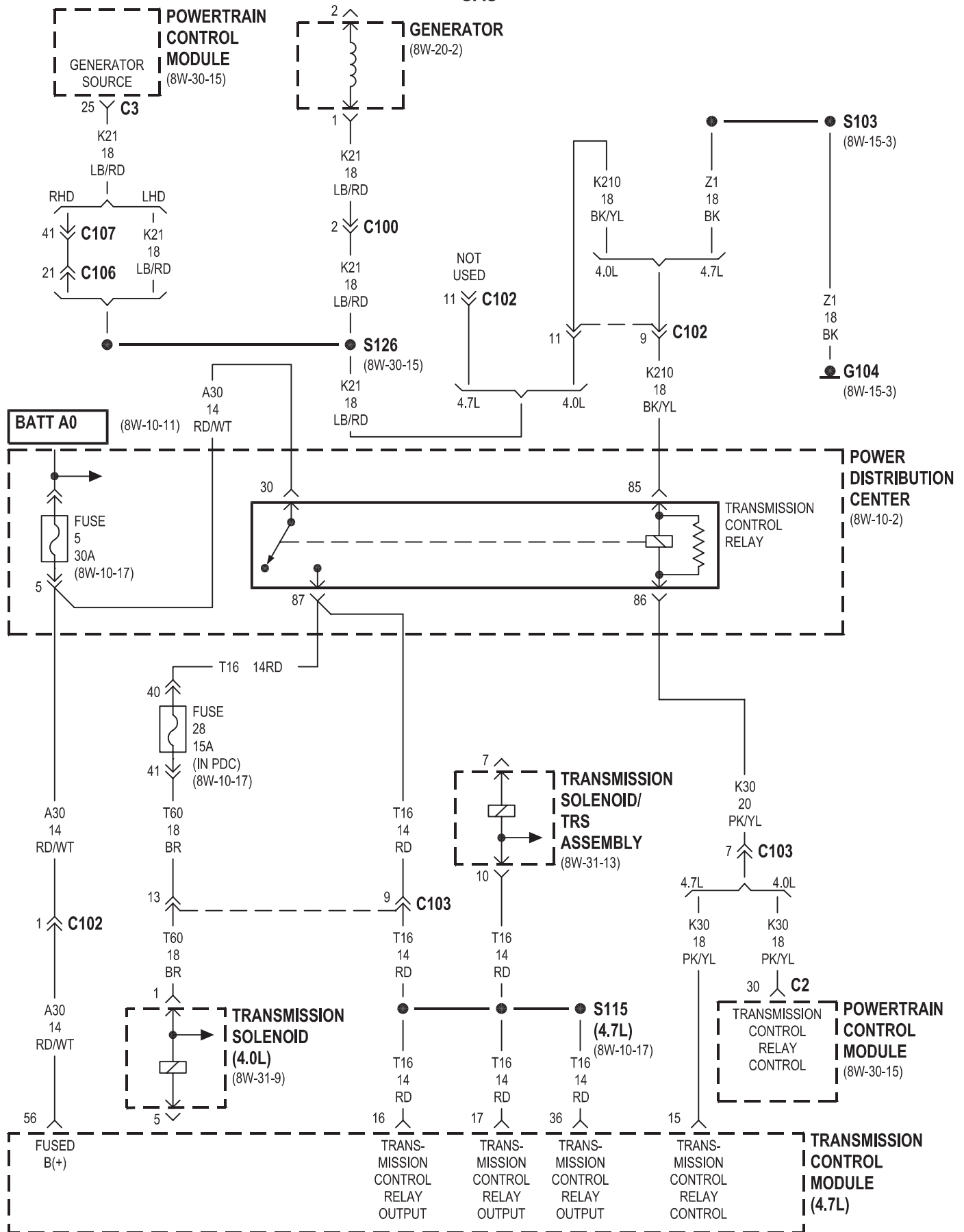
DIESEL

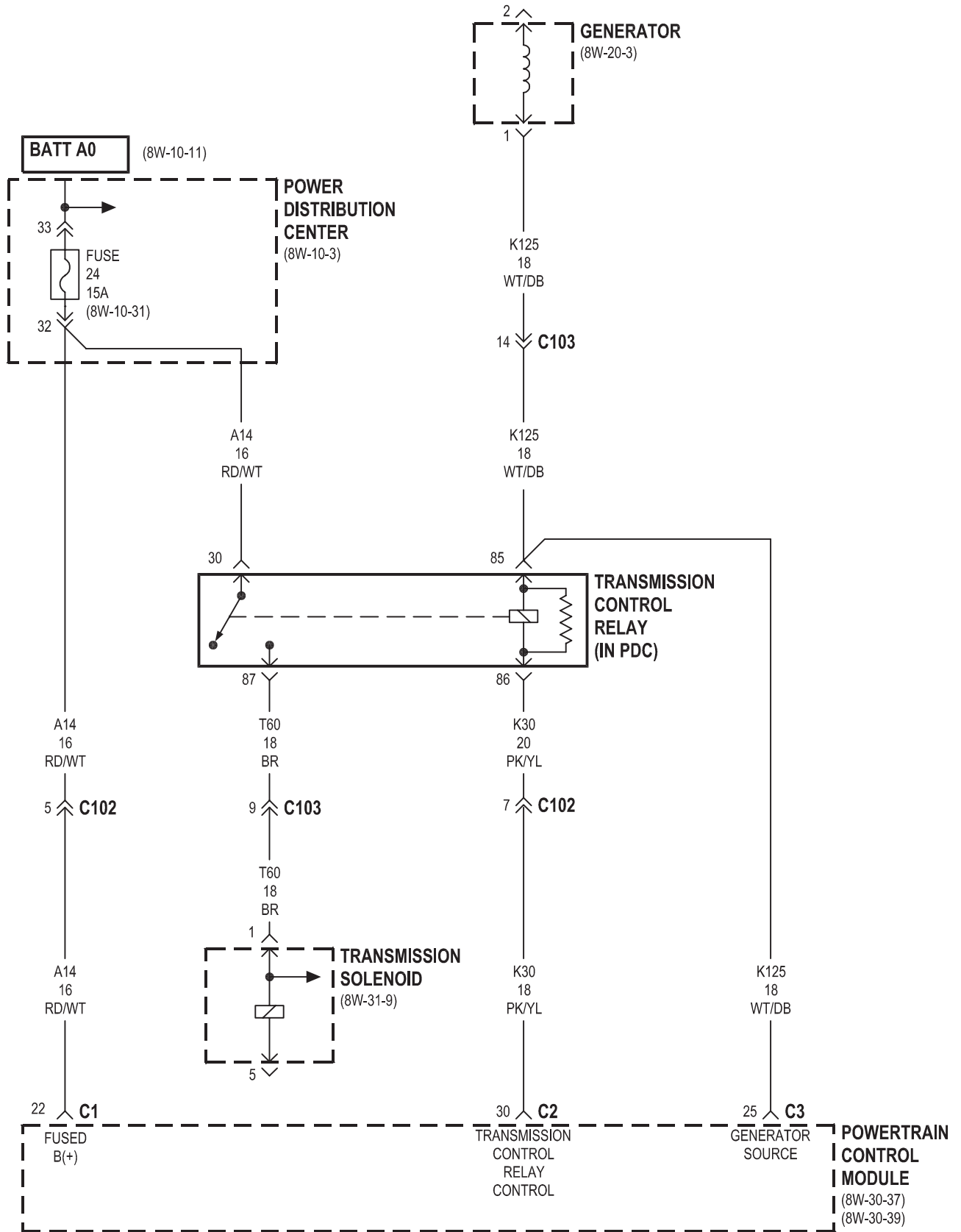


8W-31 TRANSMISSION CONTROL SYSTEM

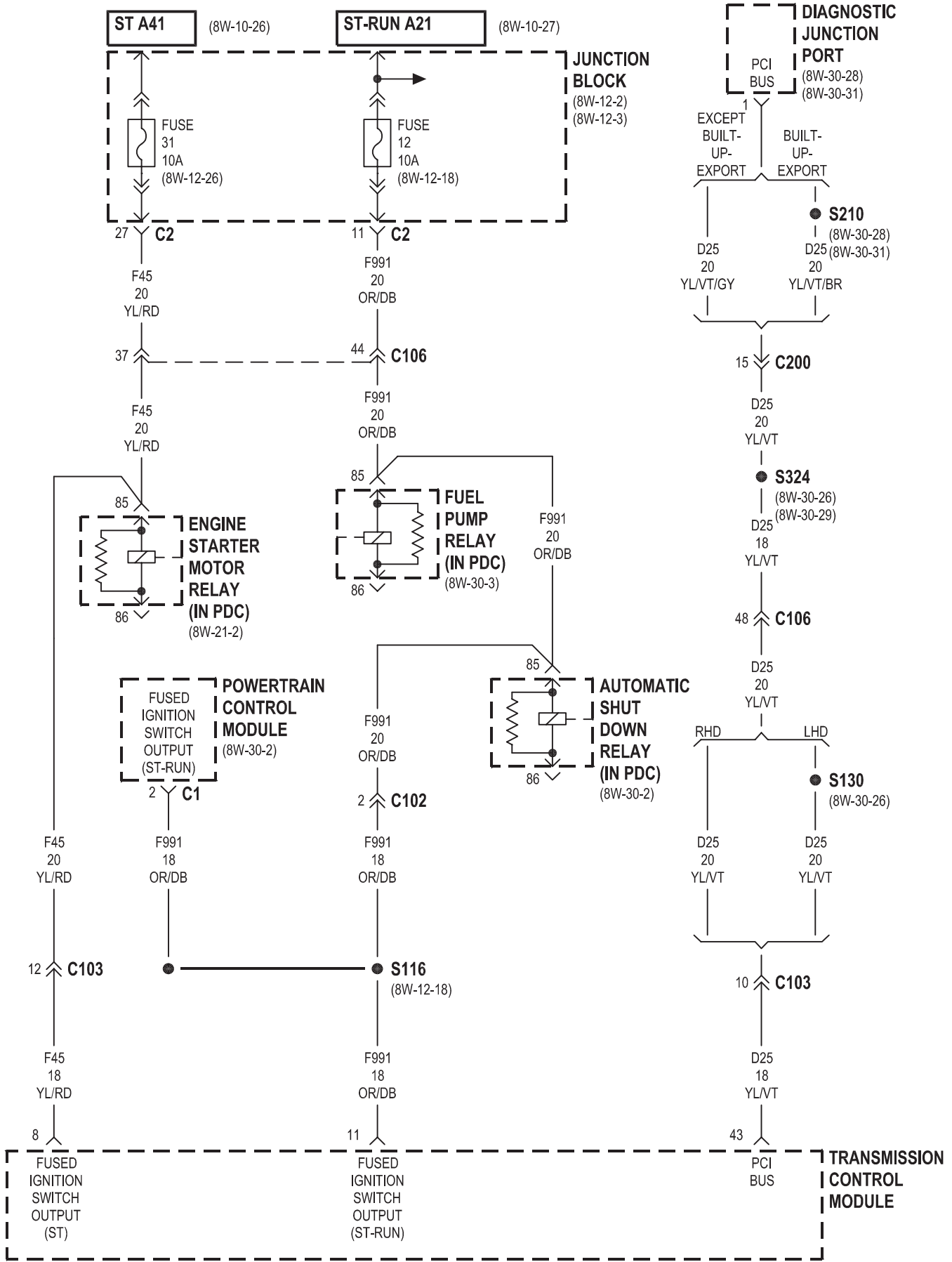
Component	Page	Component	Page
Automatic Shut Down Relay	8W-31-4	Instrument Cluster	8W-31-6, 8
Controller Anti-Lock Brake	8W-31-8	Junction Block	8W-31-4, 5, 6, 8
Crankshaft Position Sensor	8W-31-7	Left Rear Lamp Assembly	8W-31-5, 6
Data Link Connector	8W-31-10, 11	Line Pressure Sensor	8W-31-14
Diagnostic Junction Port	8W-31-4	Output Speed Sensor	8W-31-9, 14
Engine Control Module	8W-31-6, 11	Overdrive Switch	8W-31-7, 10, 11
Engine Starter Motor Relay	8W-31-4, 5, 6, 13	Park/Neutral Position Switch	8W-31-6
Fuel Pump Relay	8W-31-4	Power Distribution Center	8W-31-2, 3, 9
Fuse 5 (PDC)	8W-31-2	Powertrain Control	
Fuse 12 (JB)	8W-31-4	Module	8W-31-2, 3, 4, 5, 6, 7, 8, 9, 10, 11
Fuse 20 (JB)	8W-31-5, 6	Right Rear Lamp Assembly	8W-31-5, 6
Fuse 24 (PDC)	8W-31-3	Throttle Position Sensor	8W-31-8
Fuse 28 (PDC)	8W-31-2, 9, 12	Transfer Case Switch	8W-31-6
Fuse 31 (JB)	8W-31-4	Transmission Control	
G102	8W-31-12, 14	Module	8W-31-2, 4, 7, 8, 10, 12, 13, 14
G104	8W-31-2, 6	Transmission Control Relay	8W-31-2, 3, 9, 12, 13
G200	8W-31-7, 10, 11	Transmission Solenoid	8W-31-2, 3, 9
Generator	8W-31-2, 3	Transmission Solenoid/TRS Assembly	8W-31-2, 5, 12, 13, 14
Input Speed Sensor	8W-31-14		

GAS

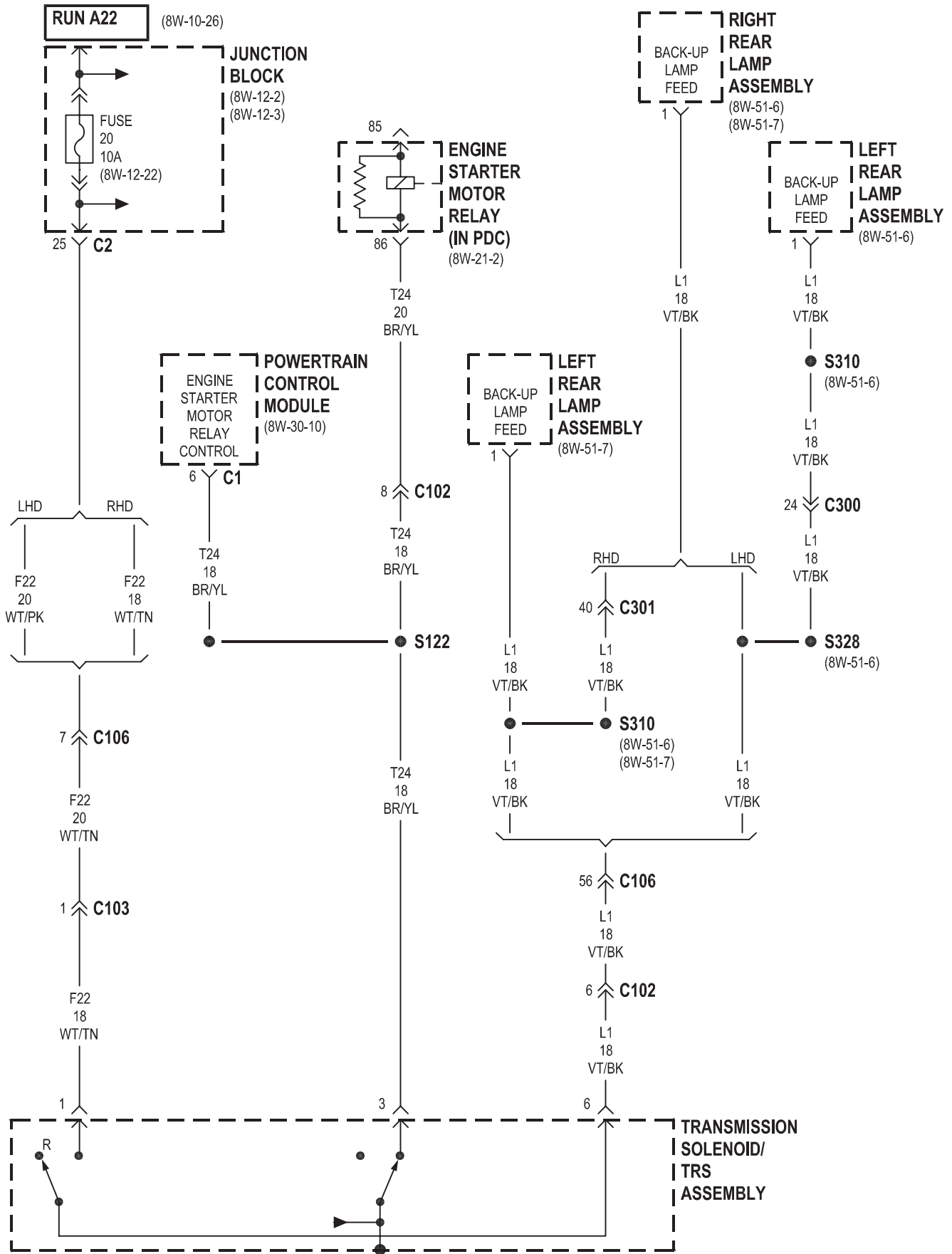




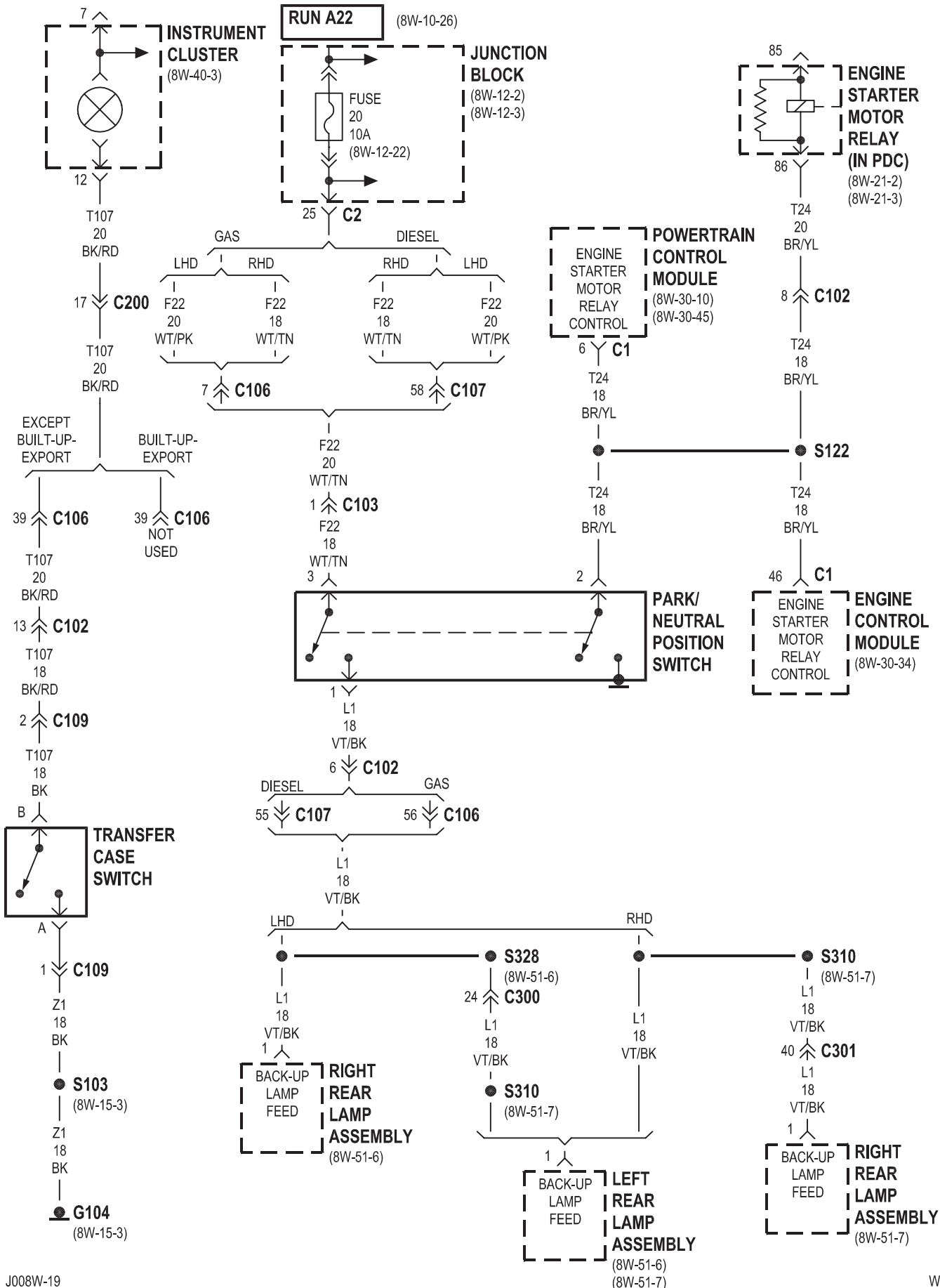
4.7L

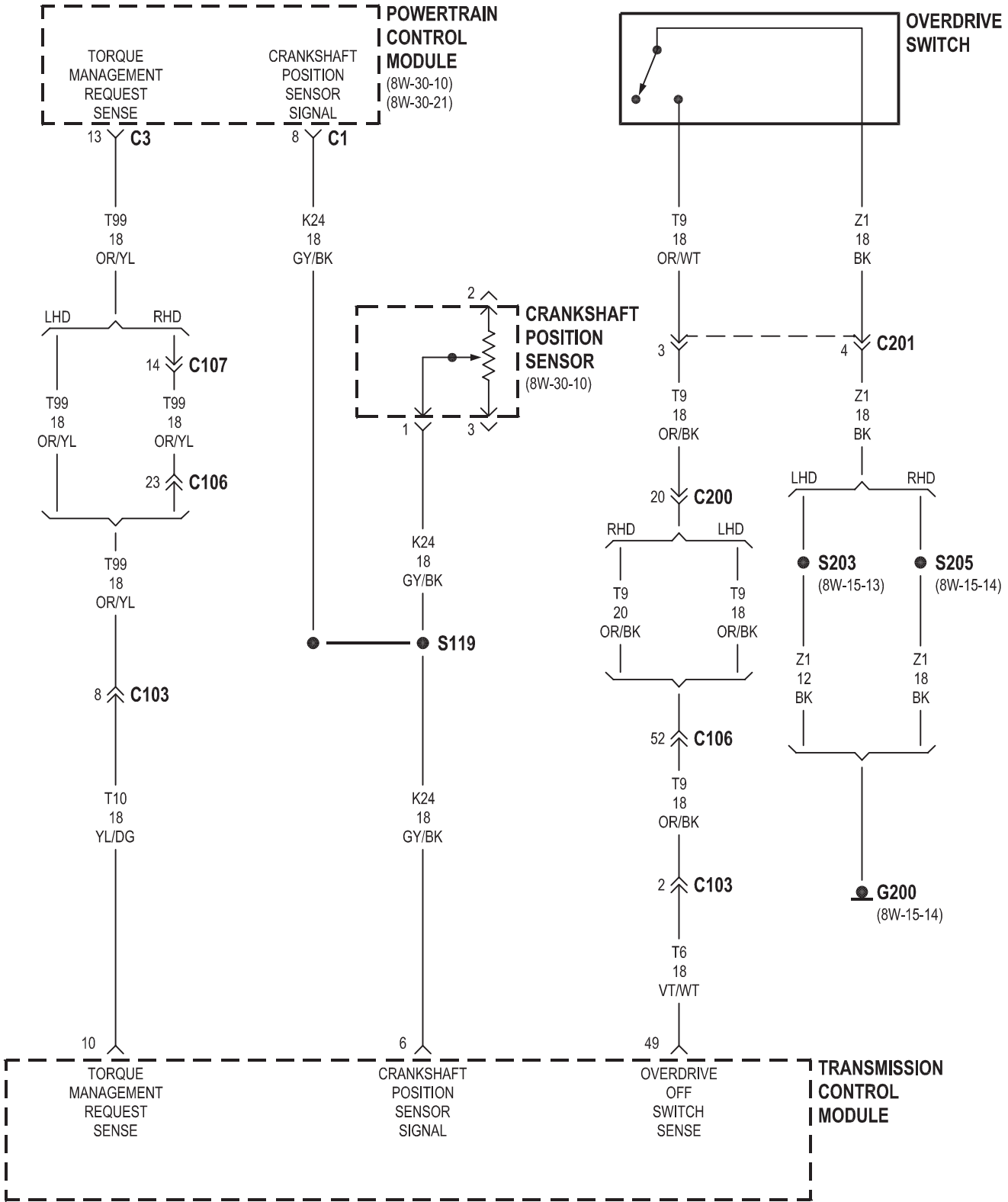


4.7L

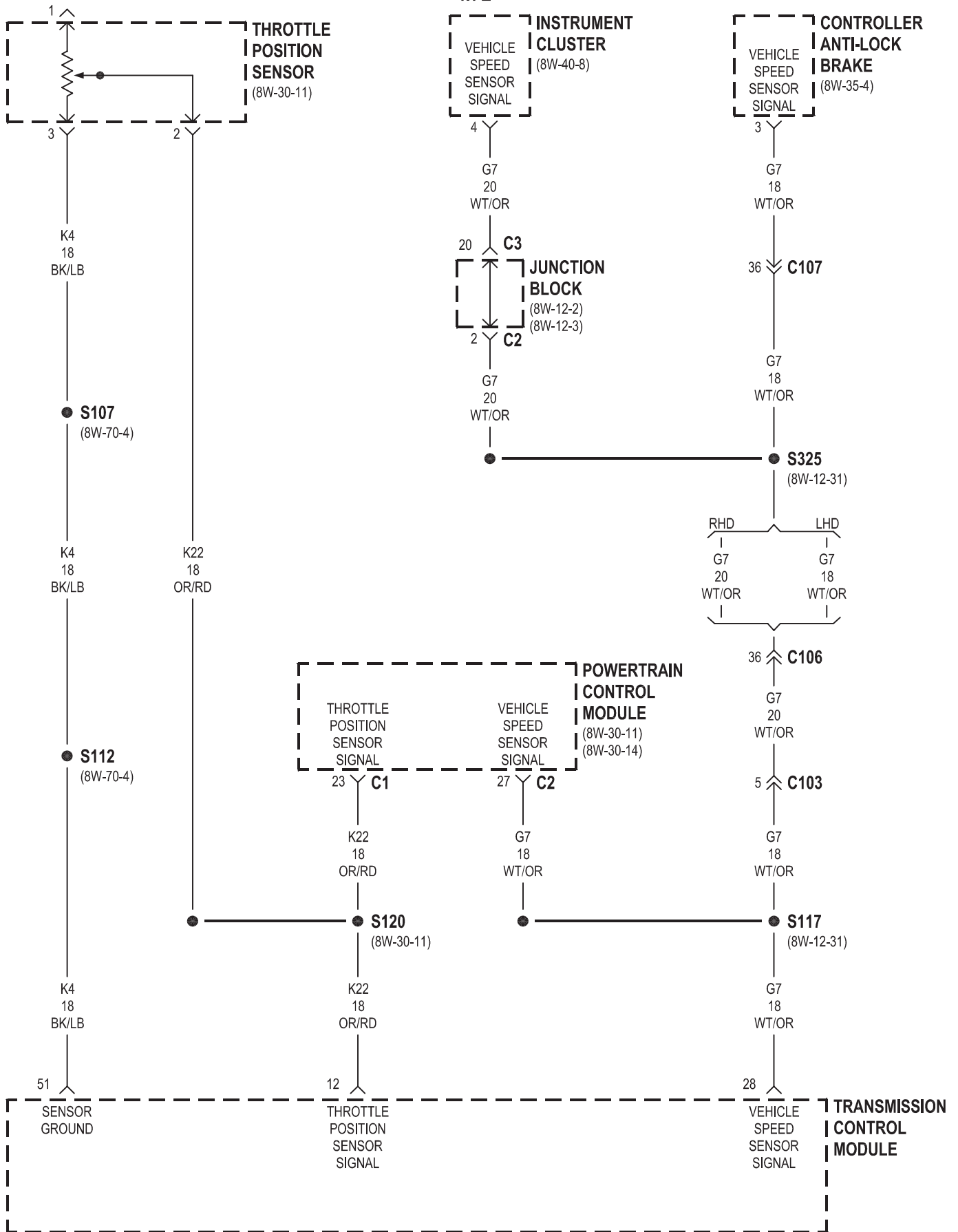


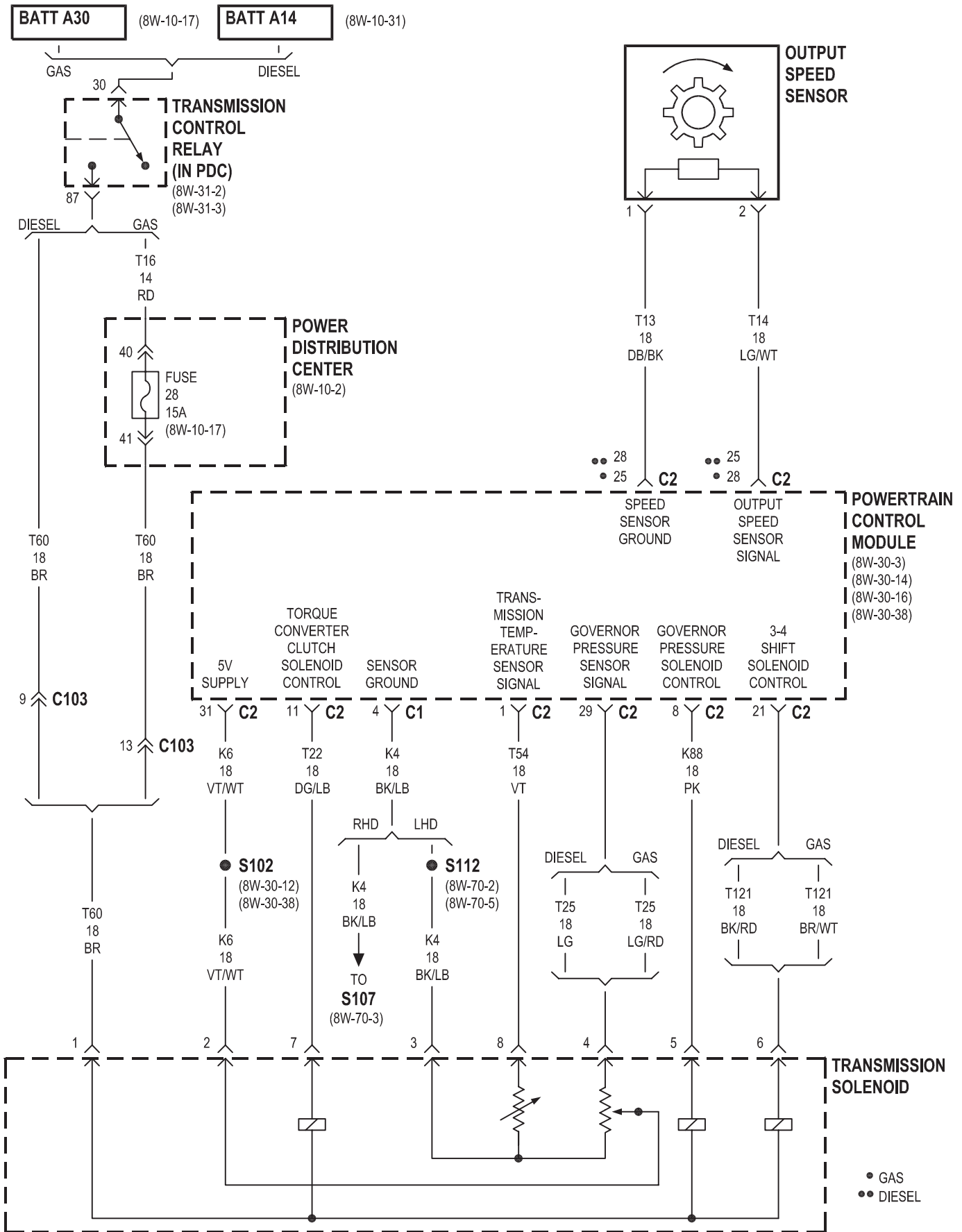
4.0L/DIESEL



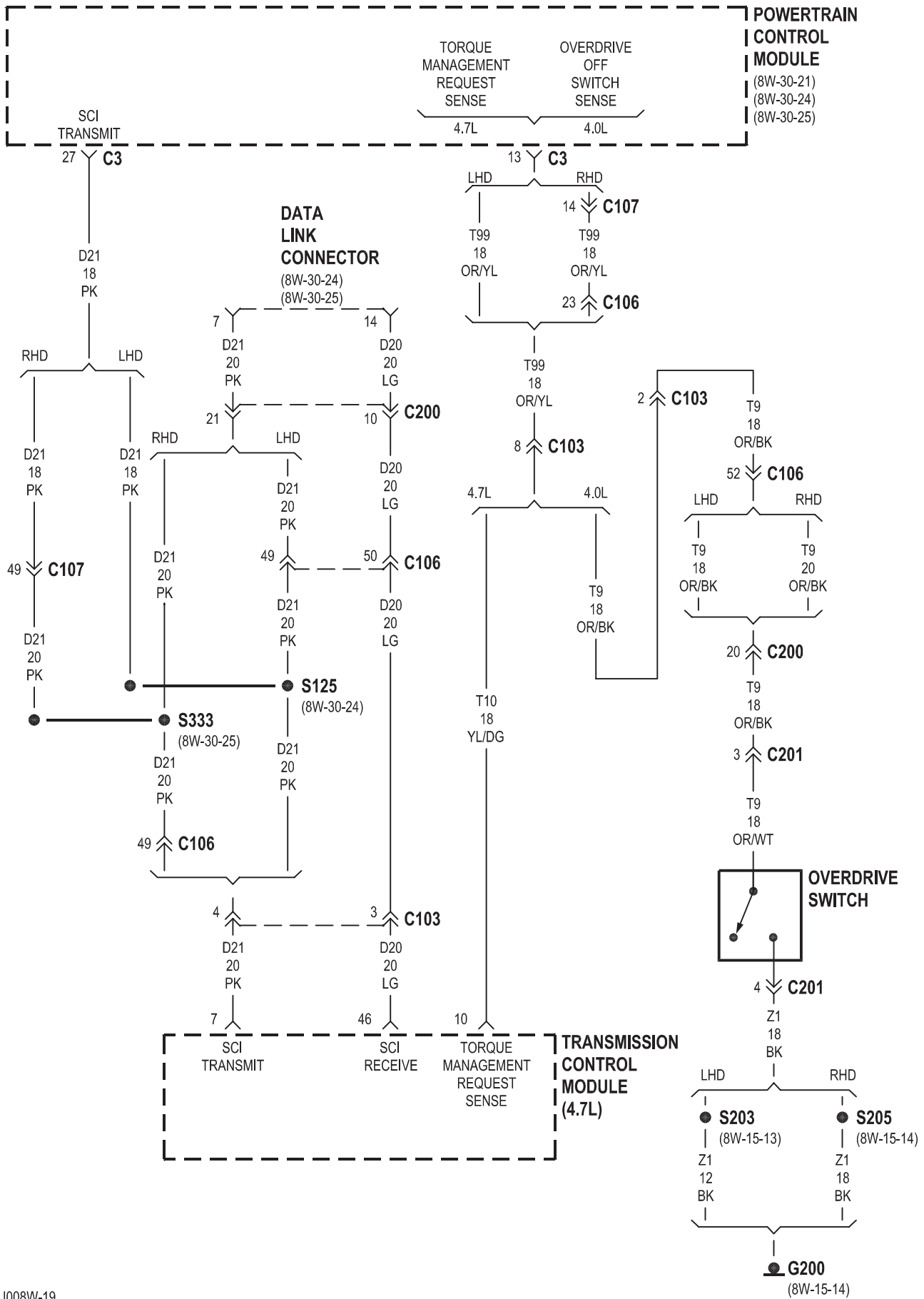


4.7L

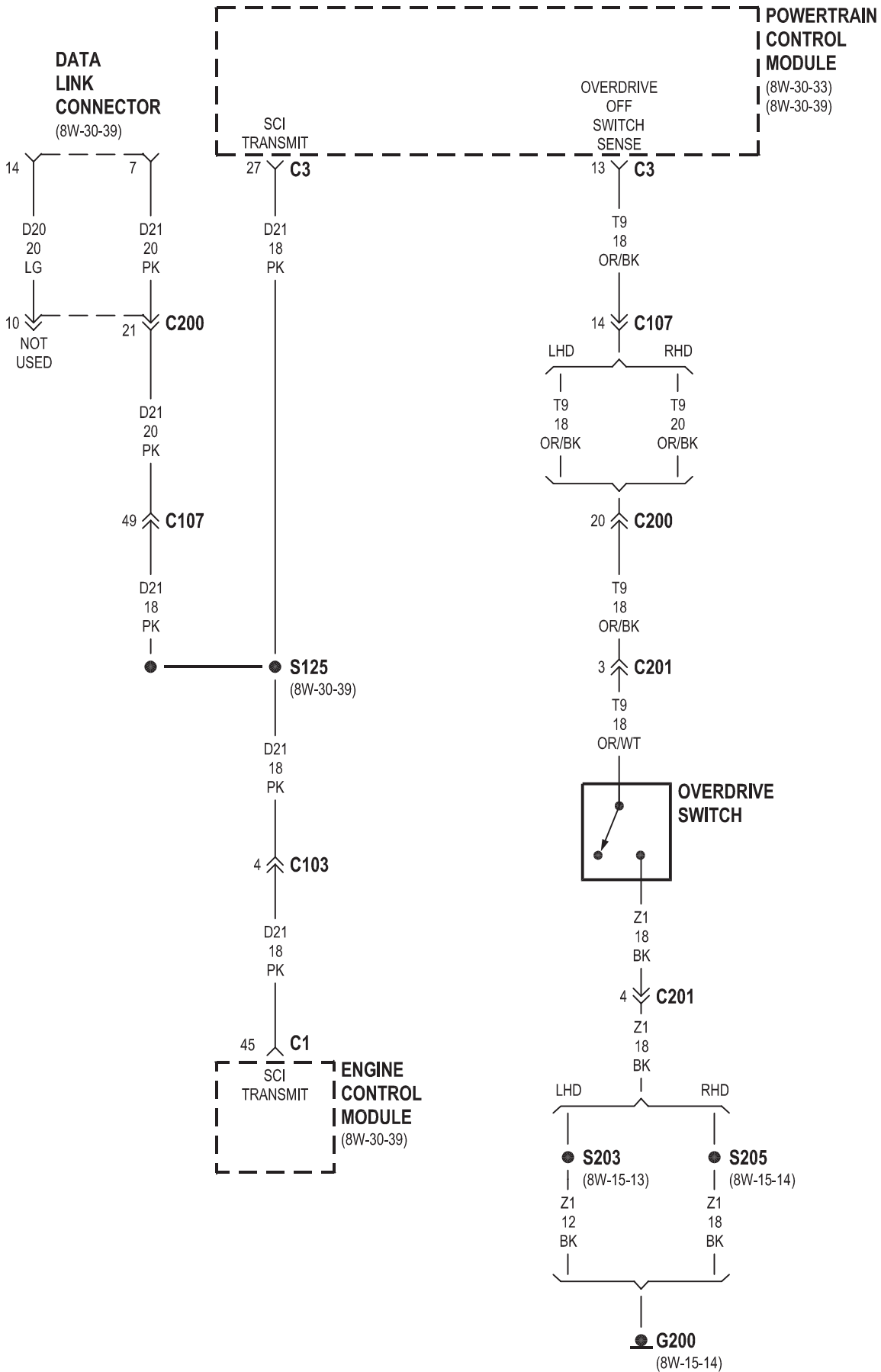




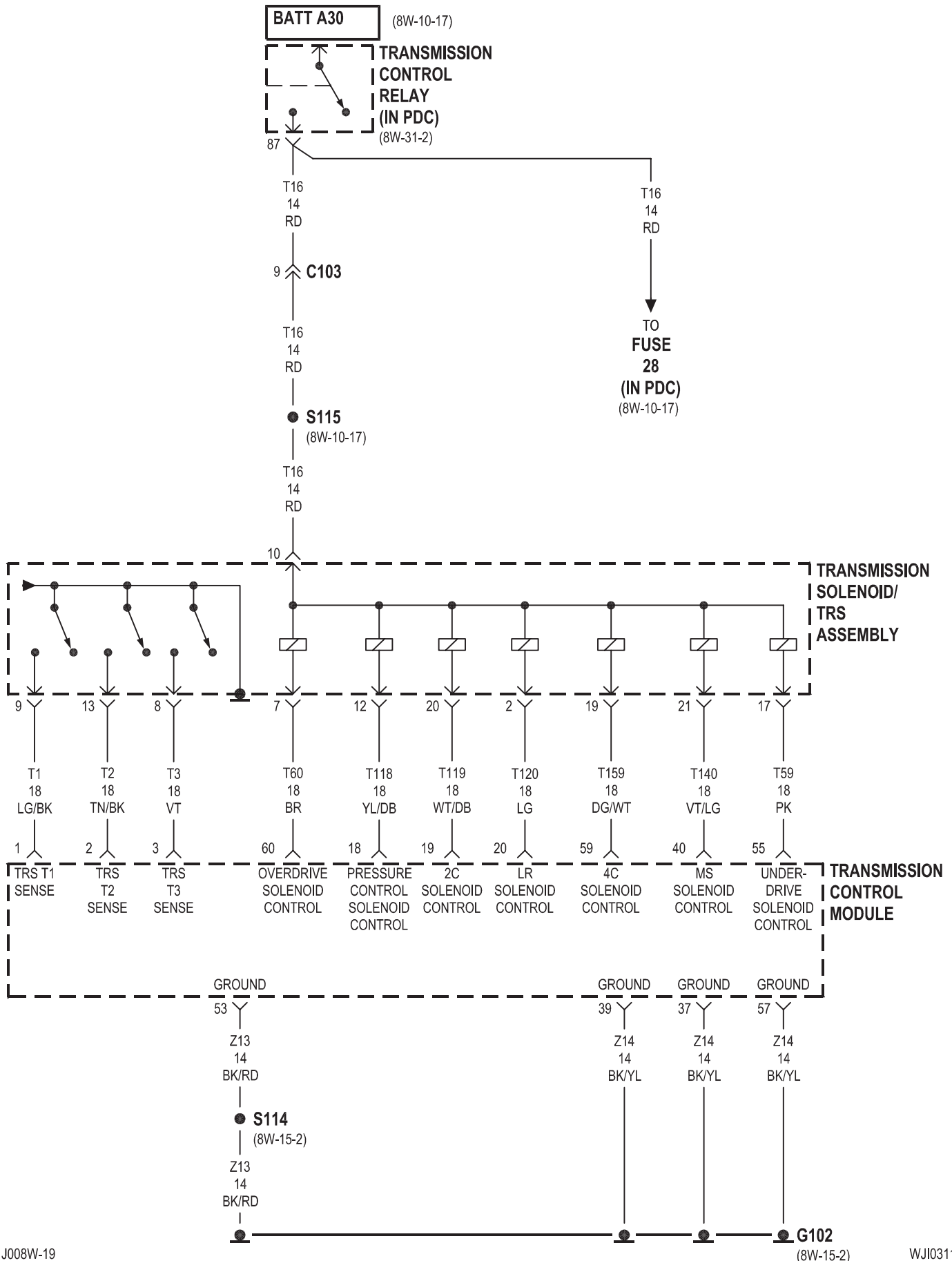
GAS



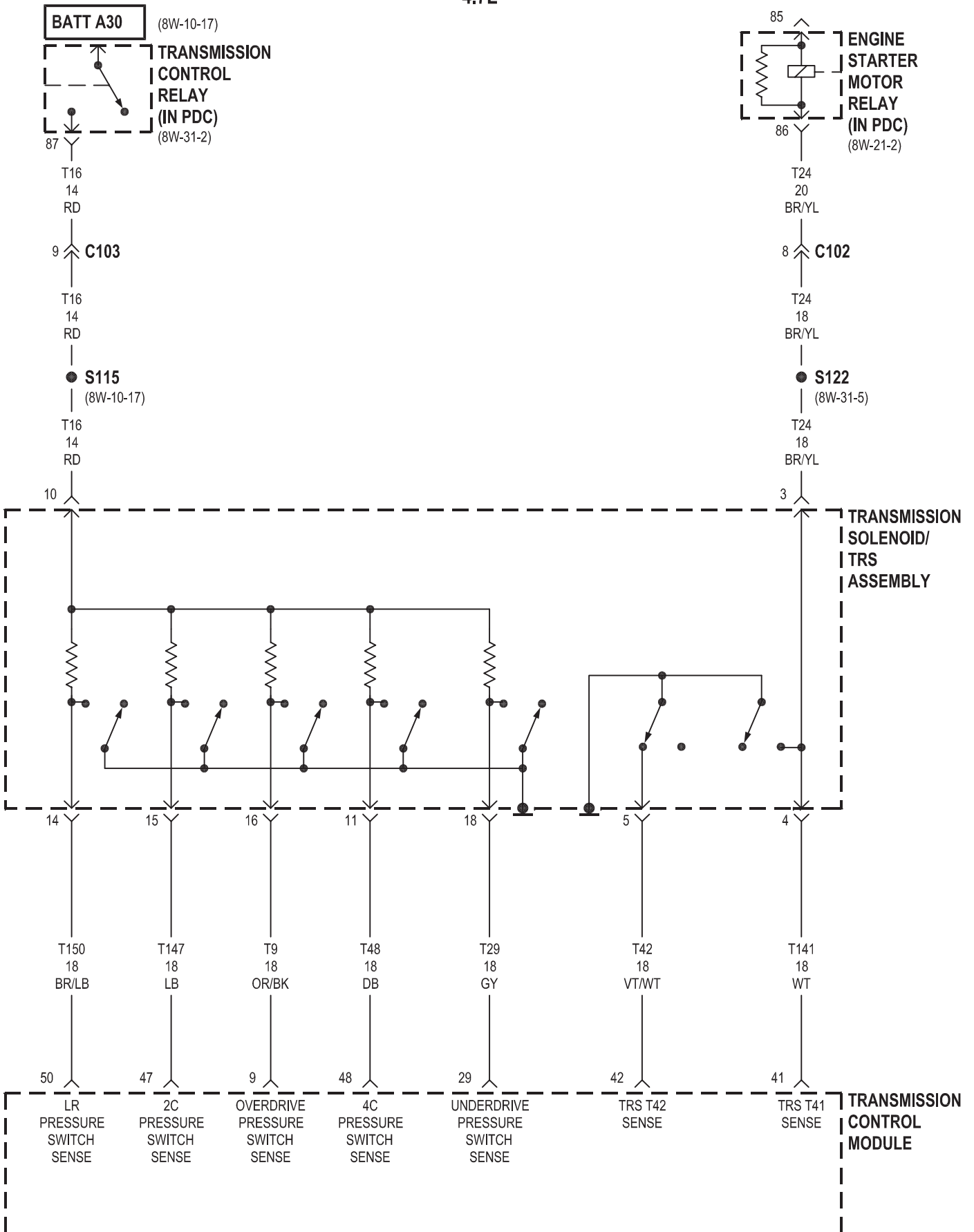
DIESEL



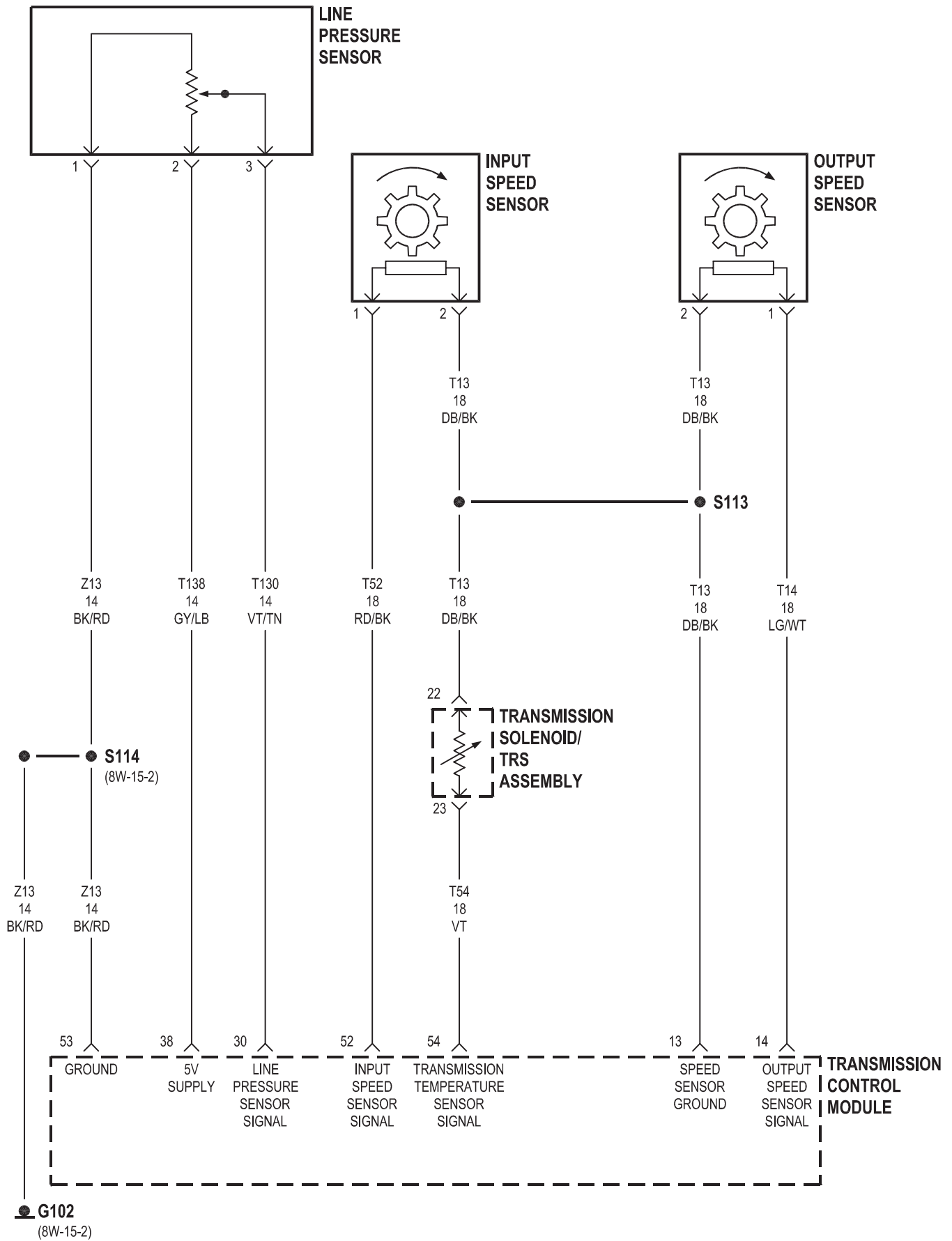
4.7L



4.7L



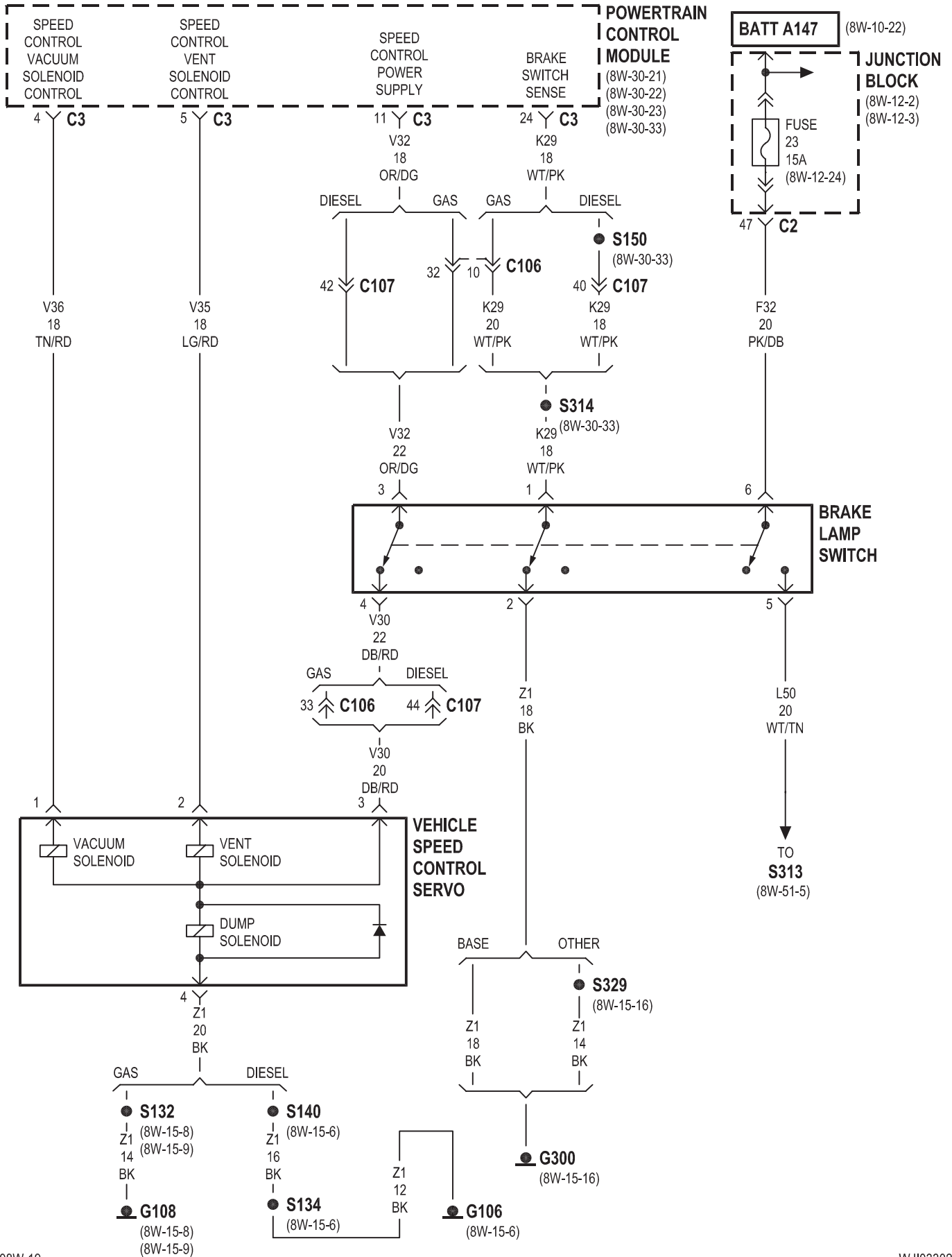
4.7L

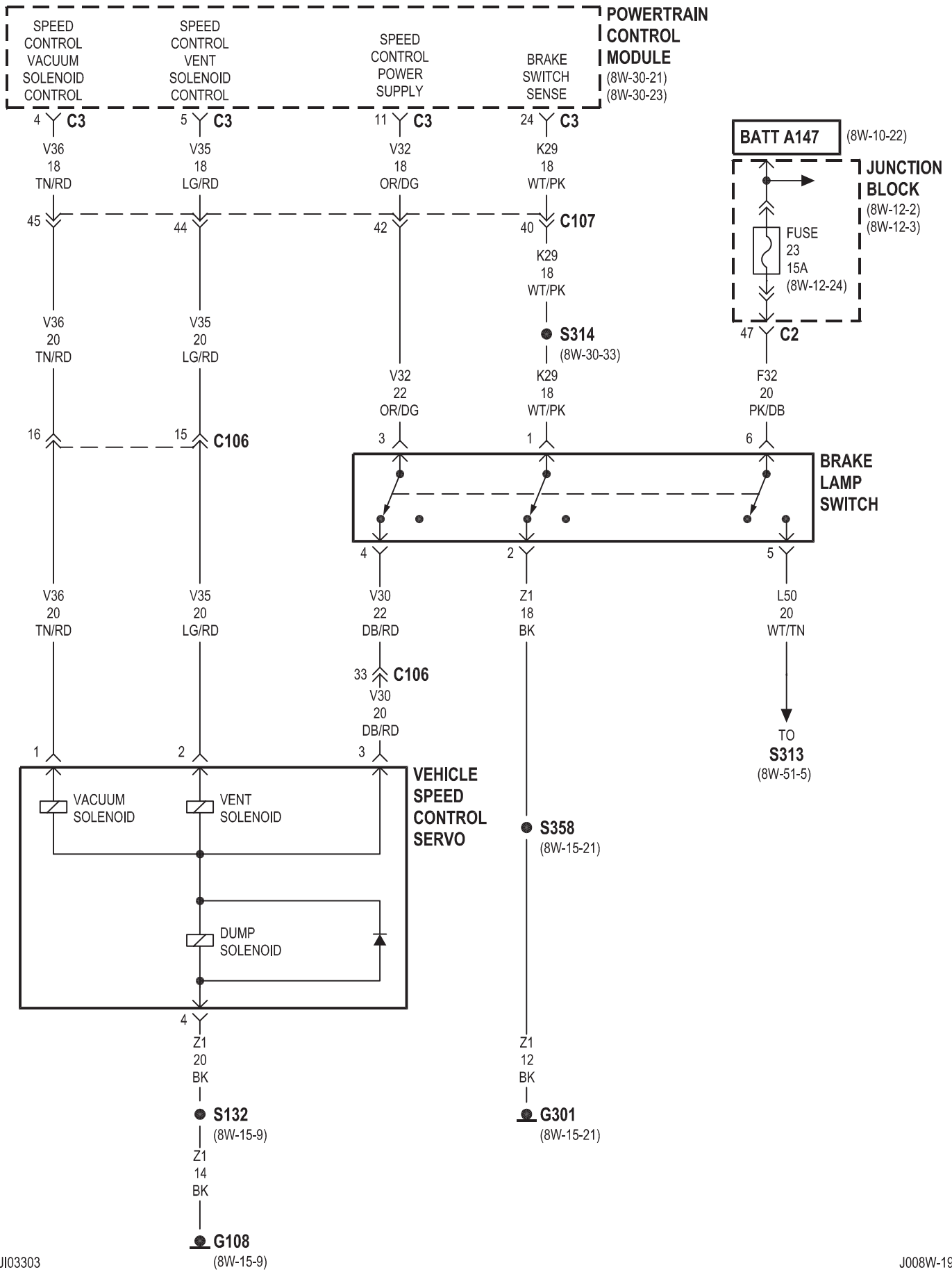


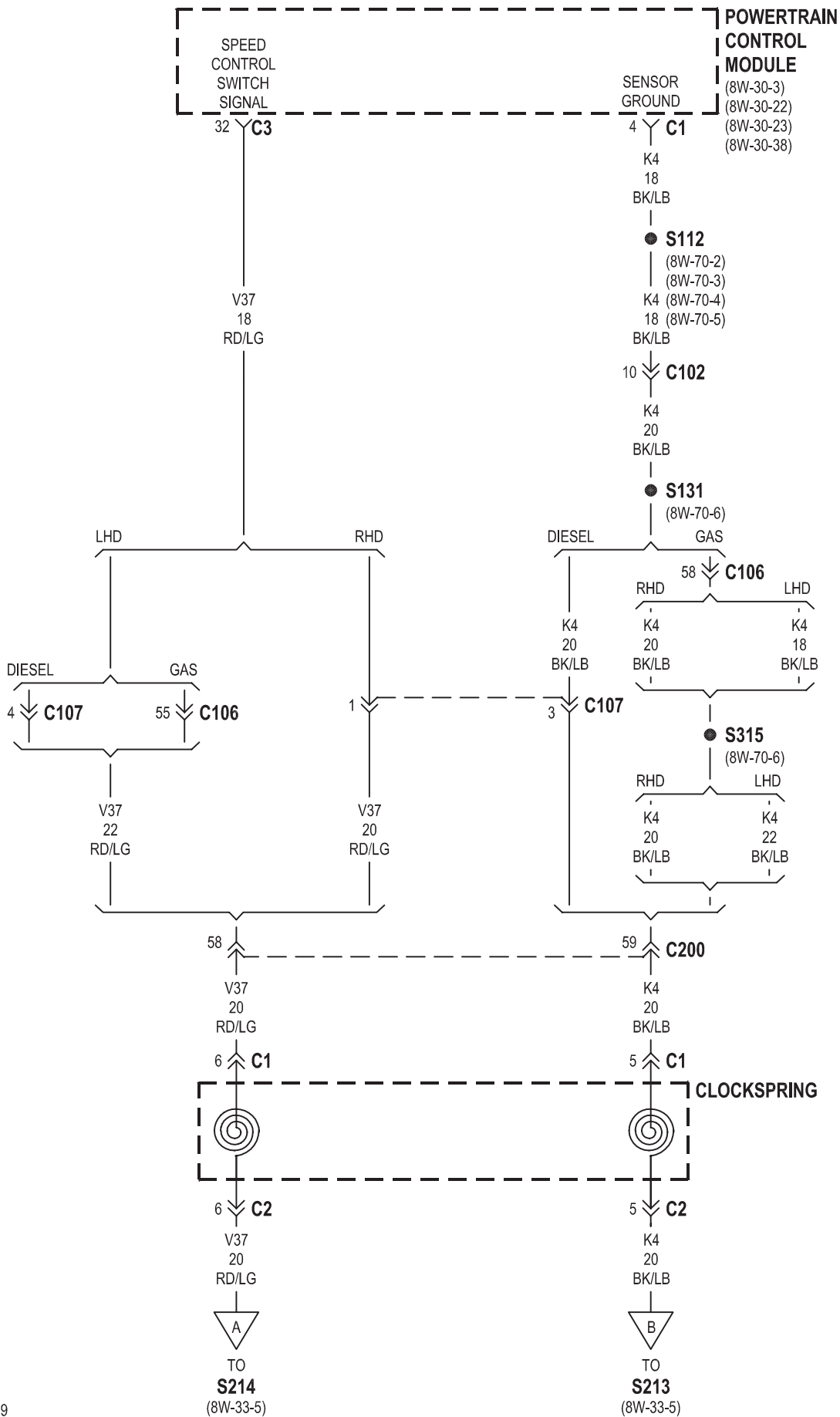
8W-33 VEHICLE SPEED CONTROL

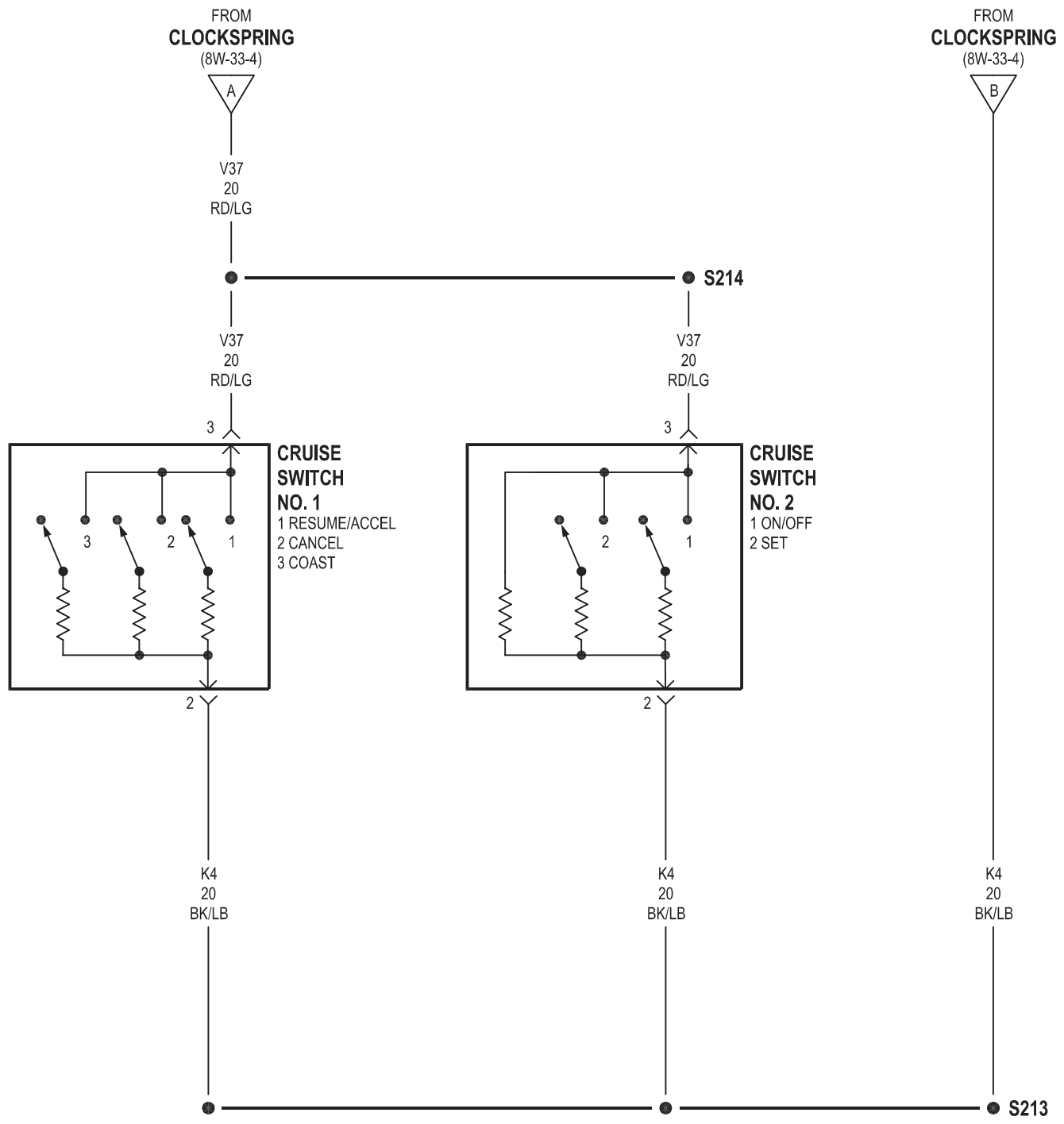
Component	Page	Component	Page
Brake Lamp Switch	8W-33-2, 3	G108	8W-33-2, 3
Clockspring	8W-33-4	G300	8W-33-2
Cruise Switch No. 1	8W-33-5	G301	8W-33-3
Cruise Switch No. 2	8W-33-5	Junction Block	8W-33-2, 3
Fuse 23 (JB)	8W-33-2, 3	Powertrain Control Module	8W-33-2, 3, 4
G106	8W-33-2	Vehicle Speed Control Servo	8W-33-2, 3

LHD





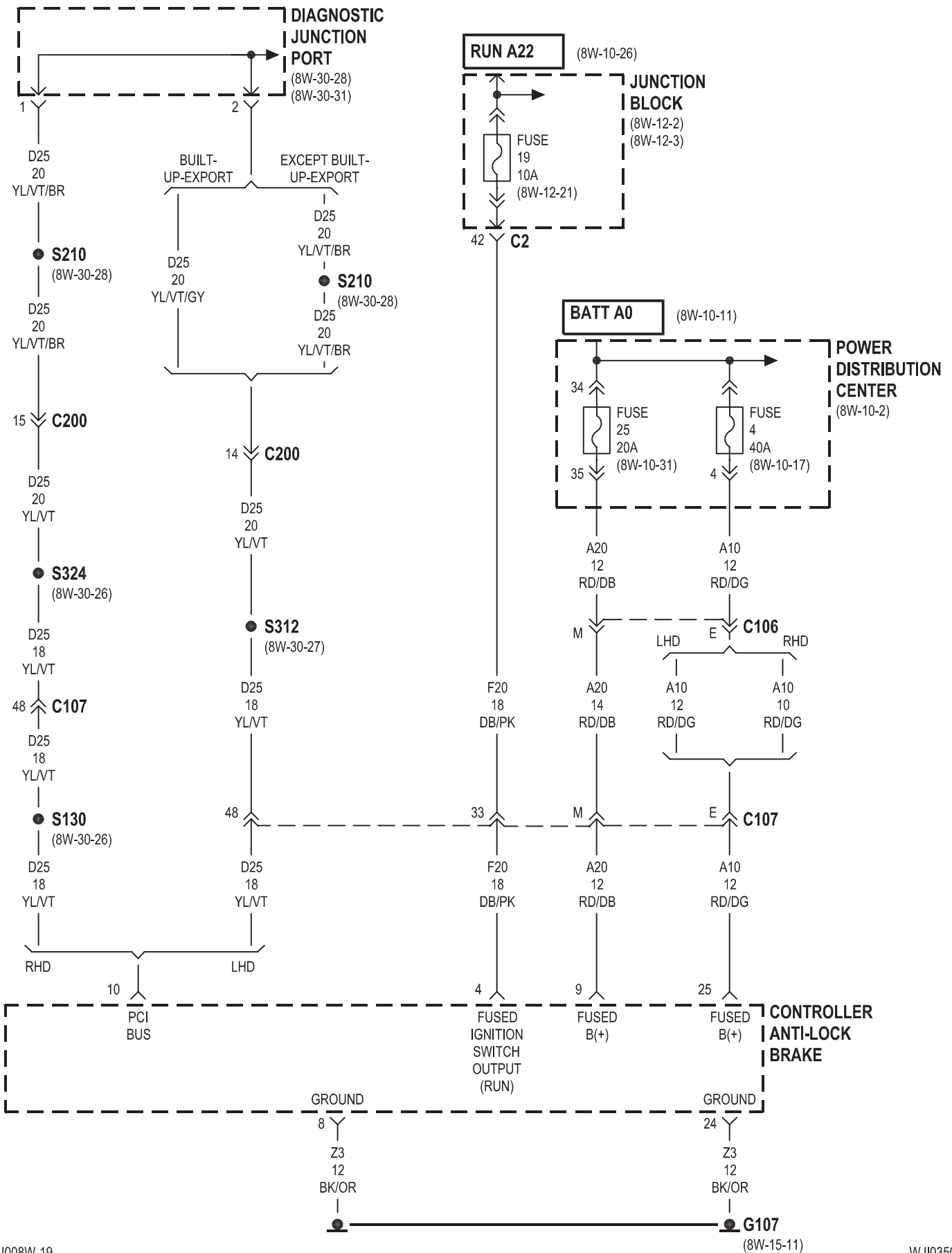


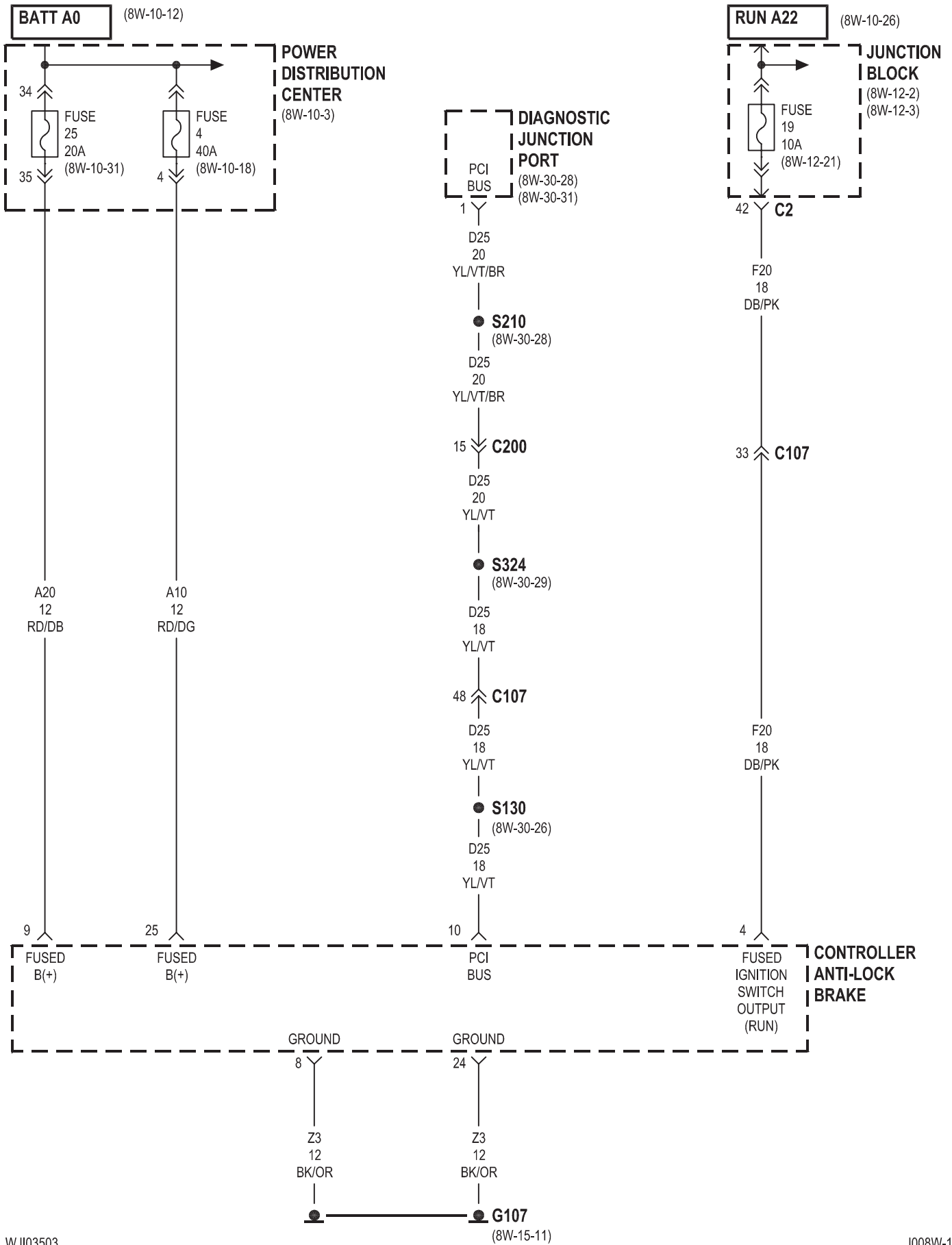


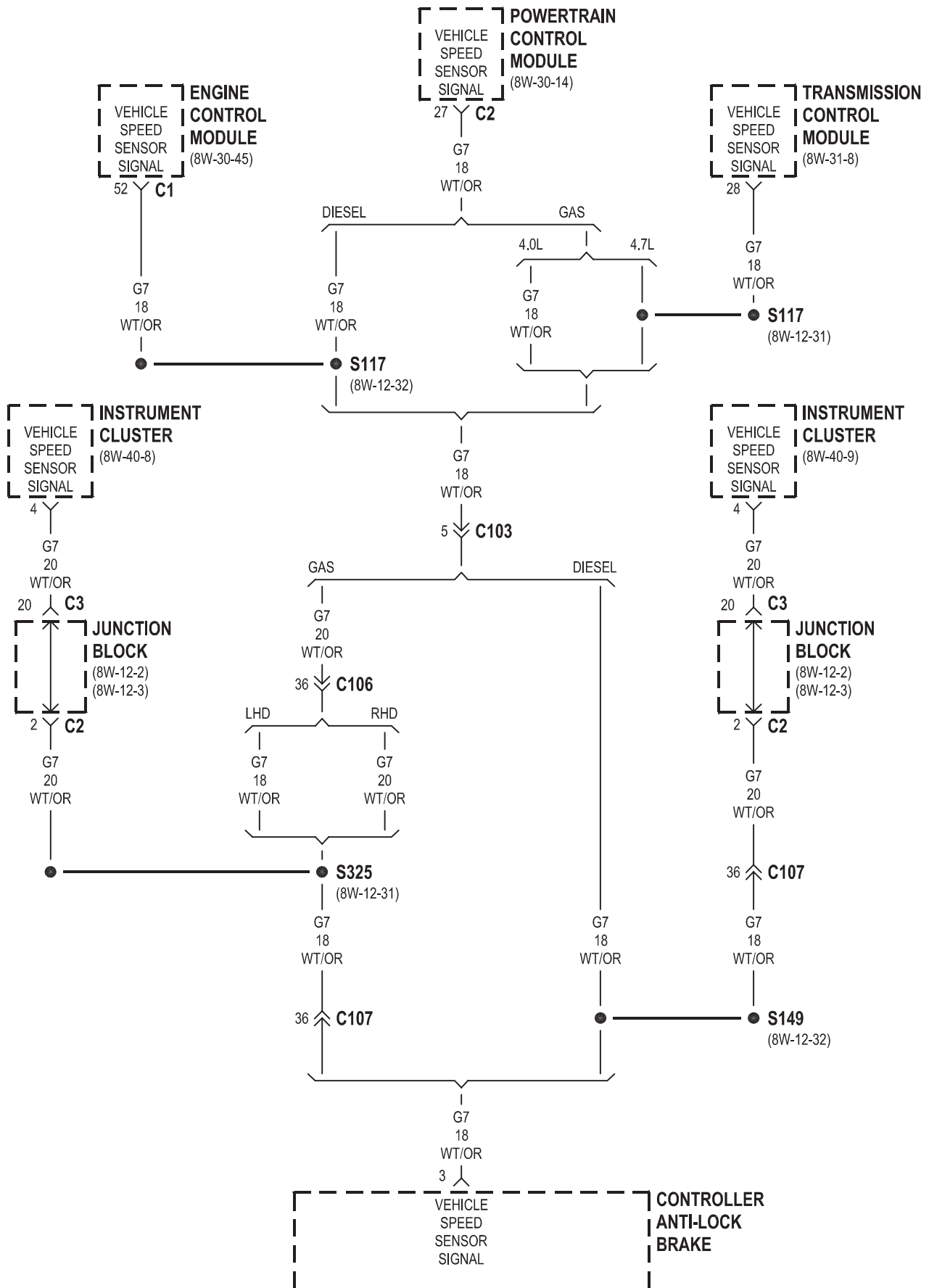
8W-35 ANTI-LOCK BRAKES

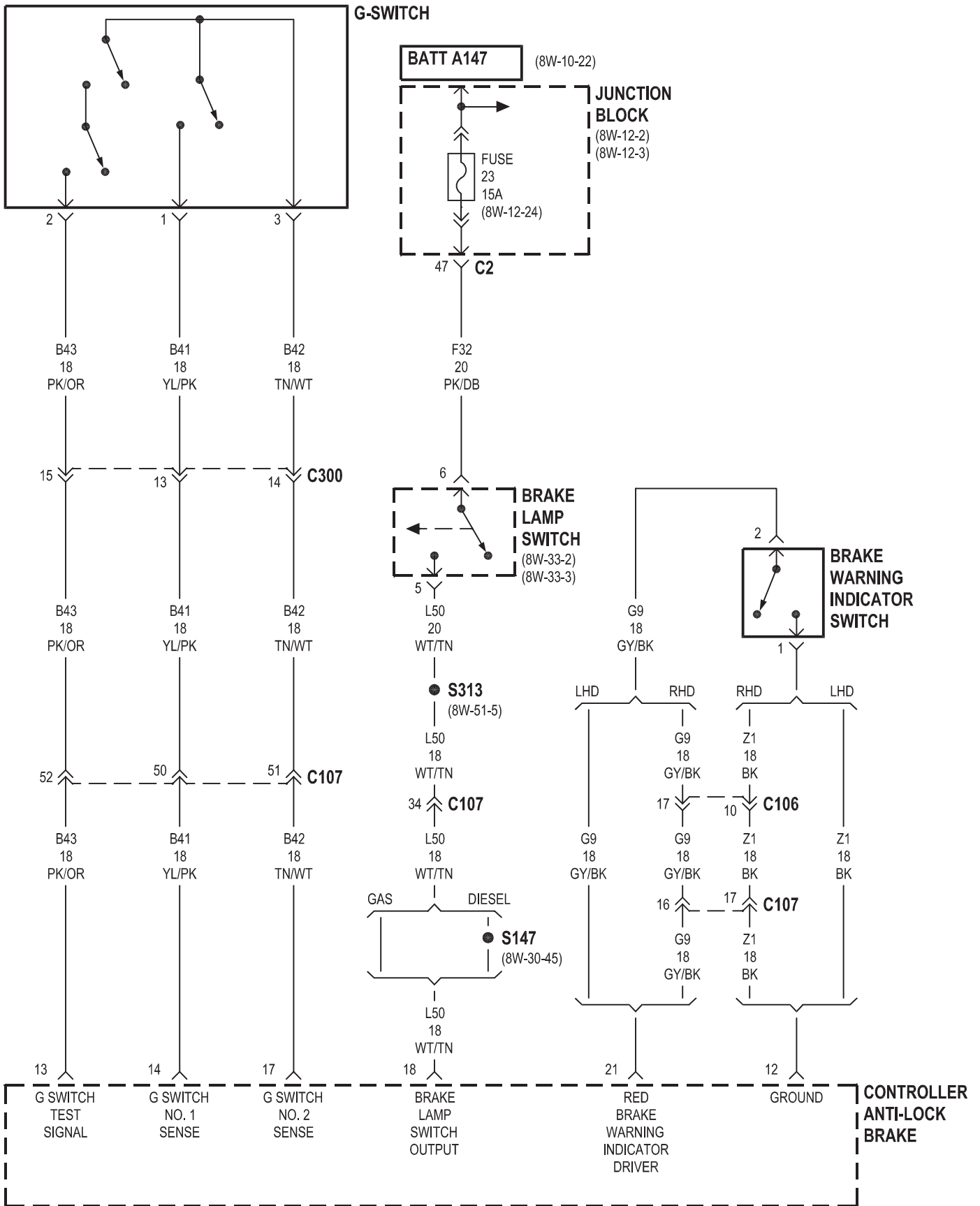
Component	Page	Component	Page
Brake Lamp Switch	8W-35-5	G107	8W-35-2, 3
Brake Warning Indicator Switch	8W-35-5	Instrument Cluster	8W-35-4
Controller Anti-Lock Brake	8W-35-2, 3, 4, 5, 6	Junction Block	8W-35-2, 3, 4, 5
Diagnostic Junction Port	8W-35-2, 3	Left Front Wheel Speed Sensor	8W-35-6
Engine Control Module	8W-35-4	Left Rear Wheel Speed Sensor	8W-35-6
Fuse 4 (PDC)	8W-35-2, 3	Power Distribution Center	8W-35-2, 3
Fuse 19 (JB)	8W-35-2, 3	Powertrain Control Module	8W-35-4
Fuse 23 (JB)	8W-35-5	Right Front Wheel Speed Sensor	8W-35-6
Fuse 25 (PDC)	8W-35-2, 3	Right Rear Wheel Speed Sensor	8W-35-6
G-Switch	8W-35-5	Transmission Control Module	8W-35-4

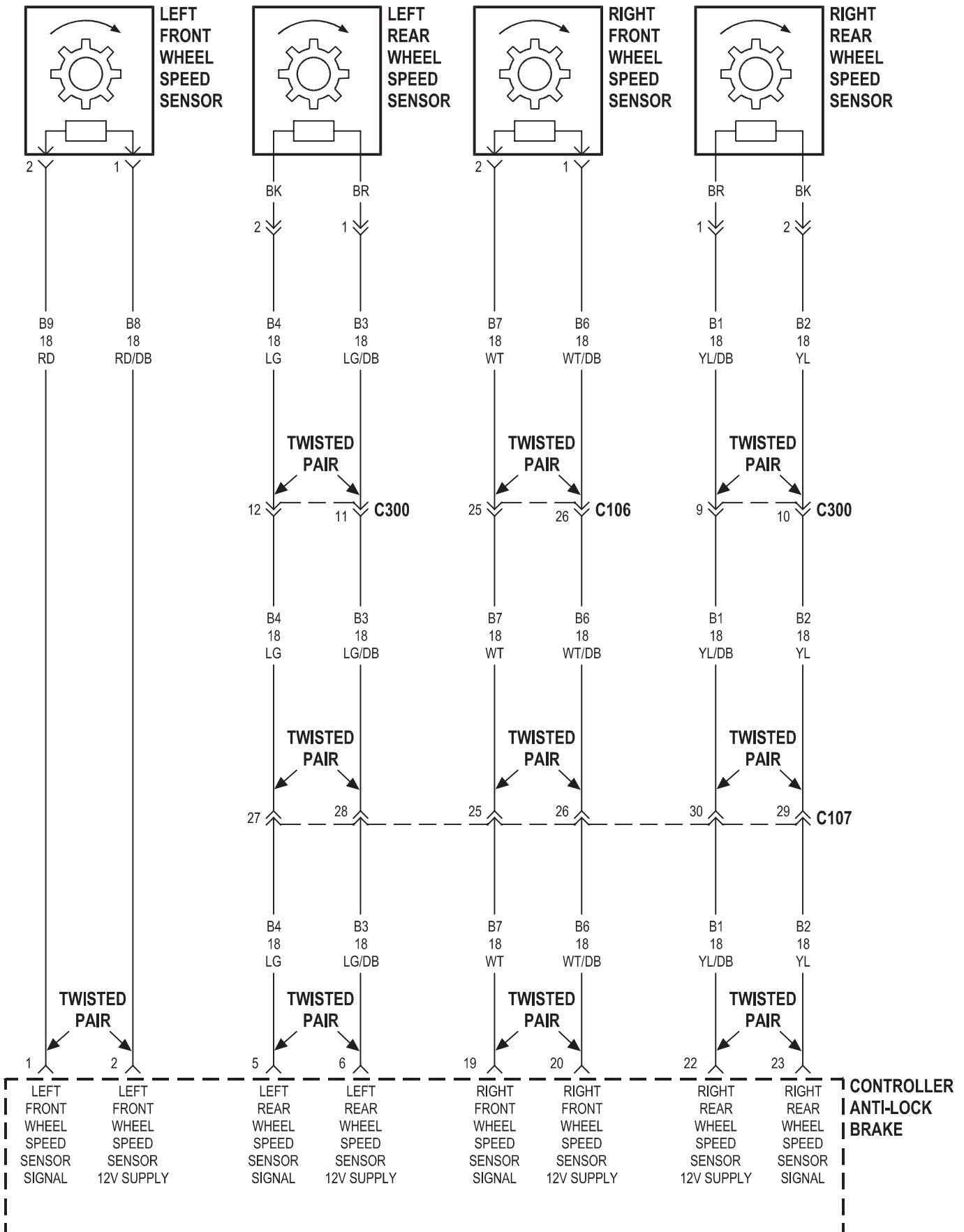
GAS





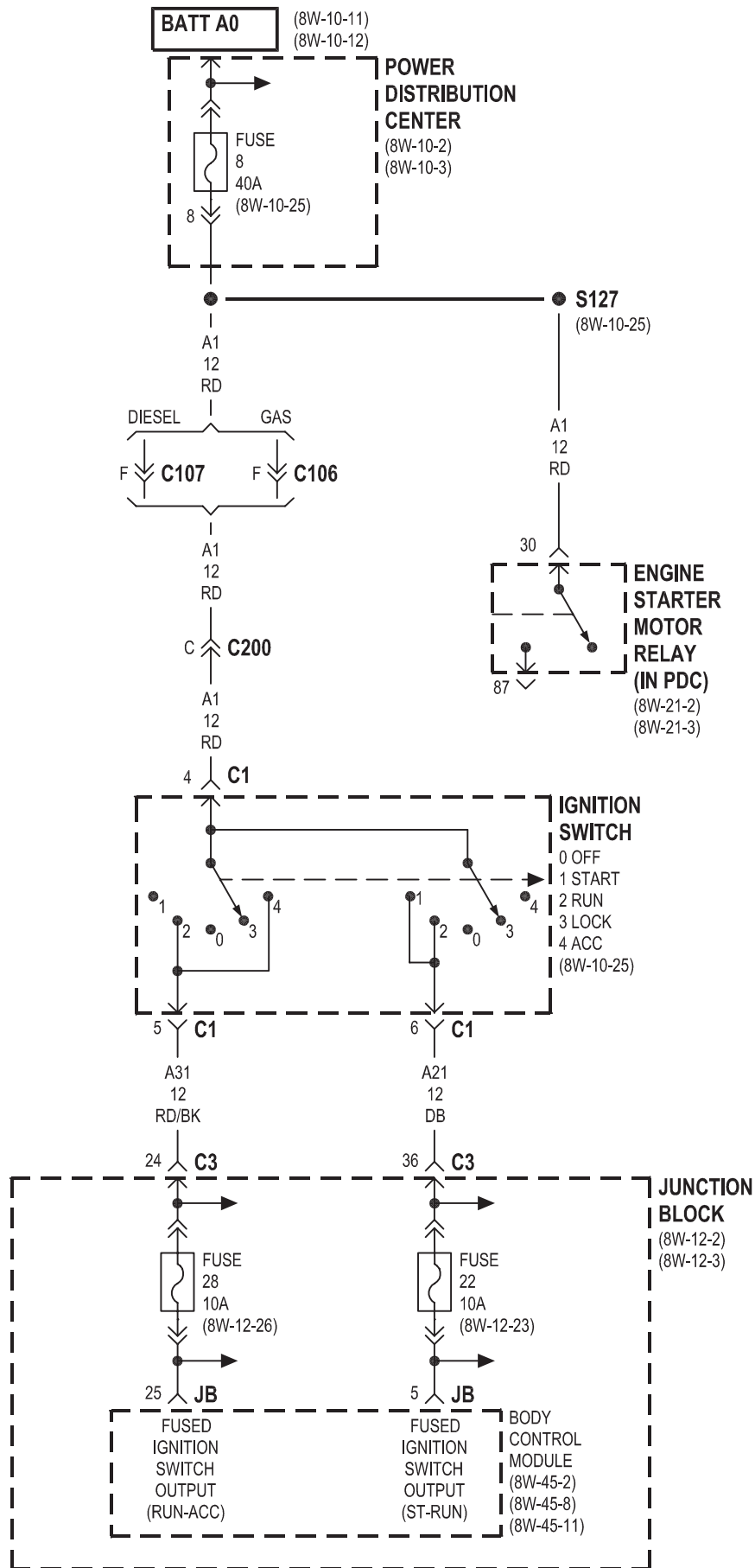


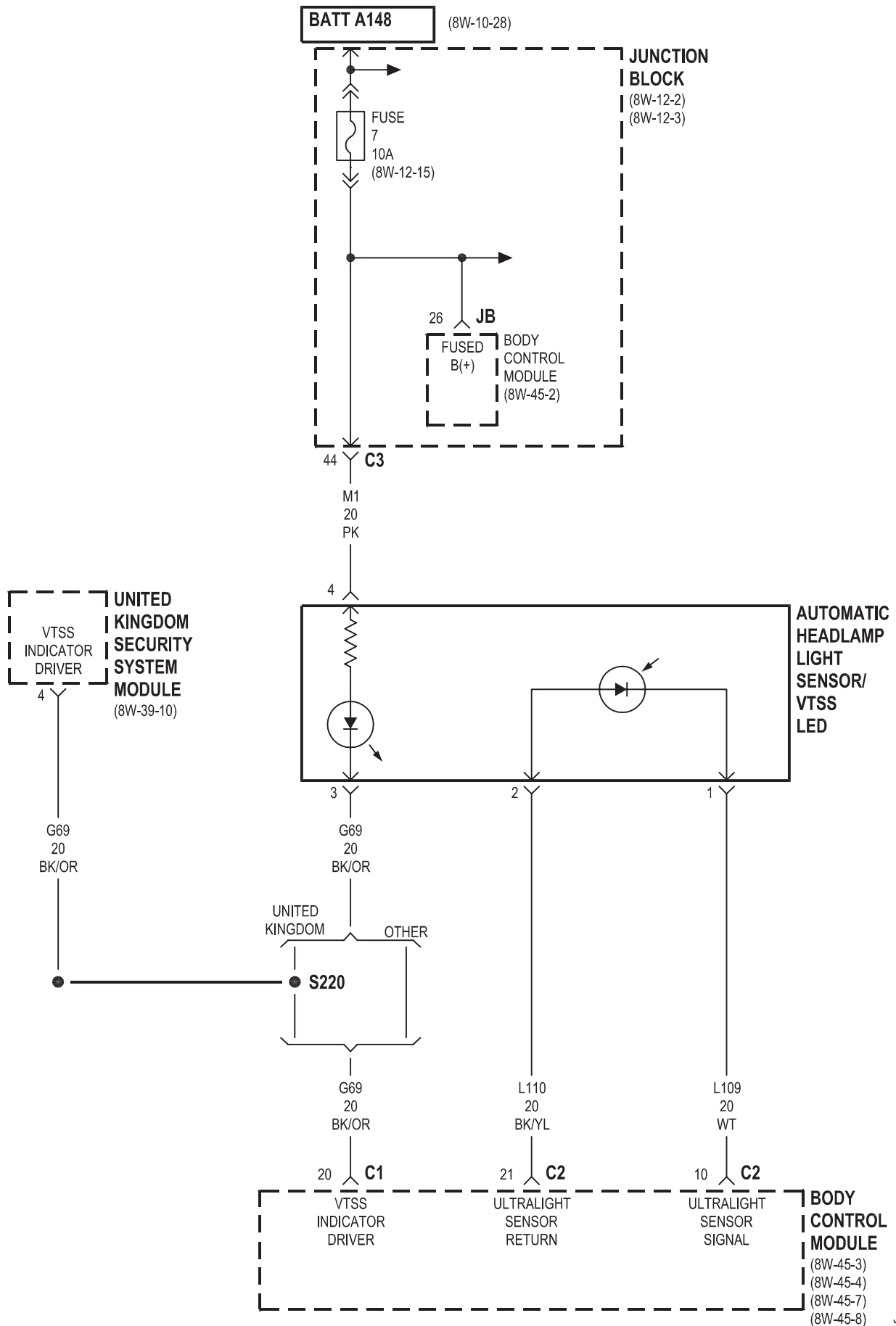


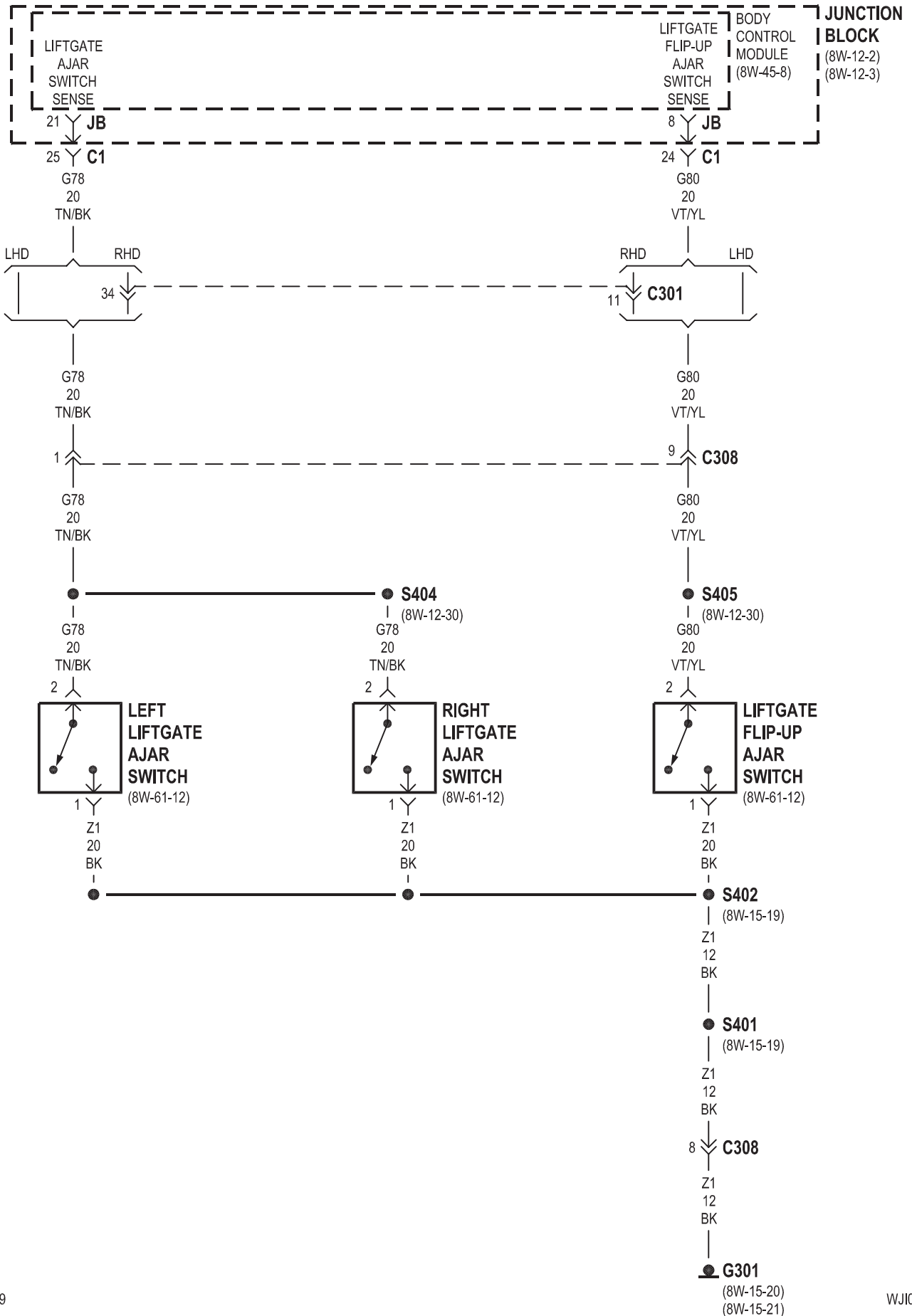


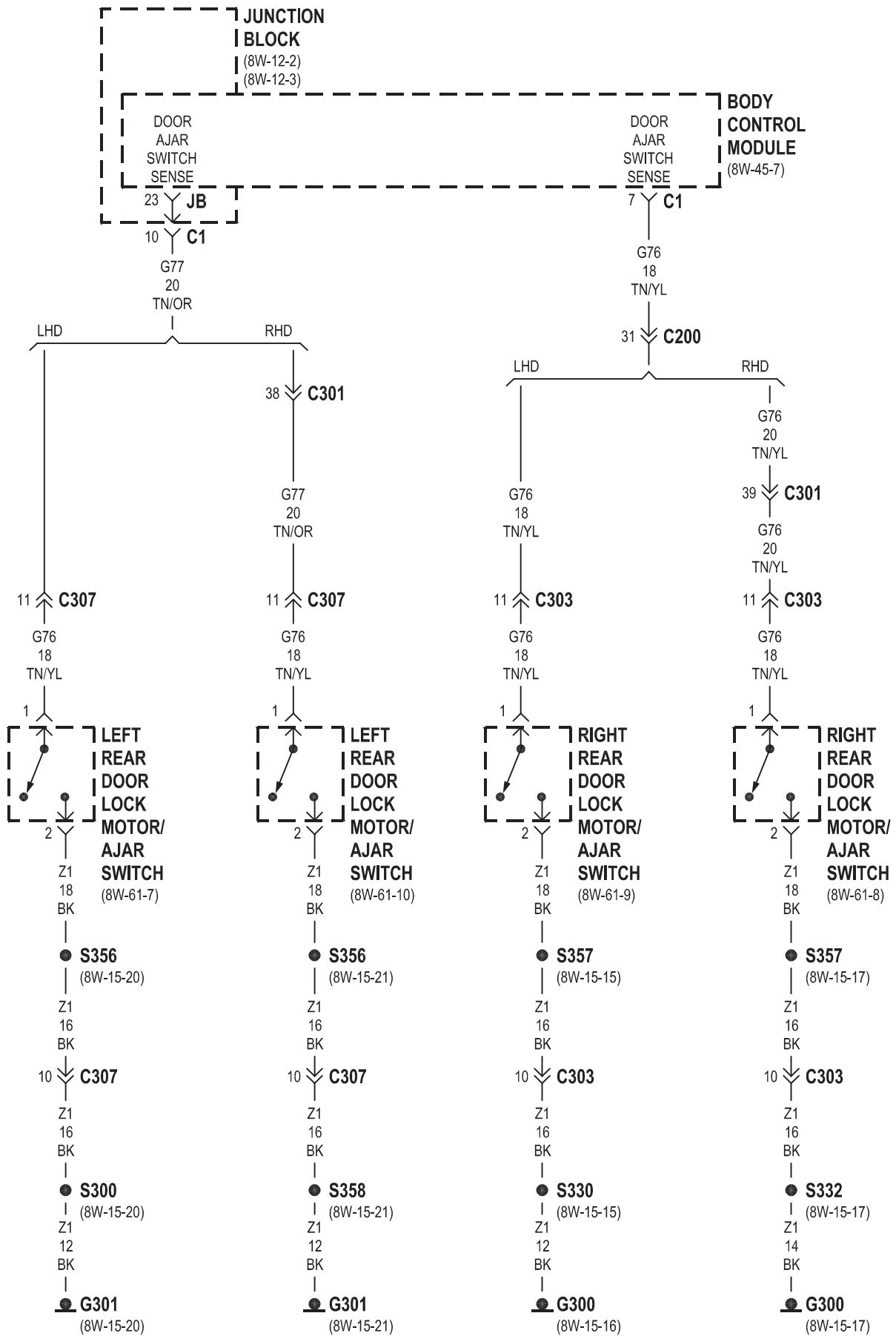
8W-39 VEHICLE THEFT SECURITY SYSTEM

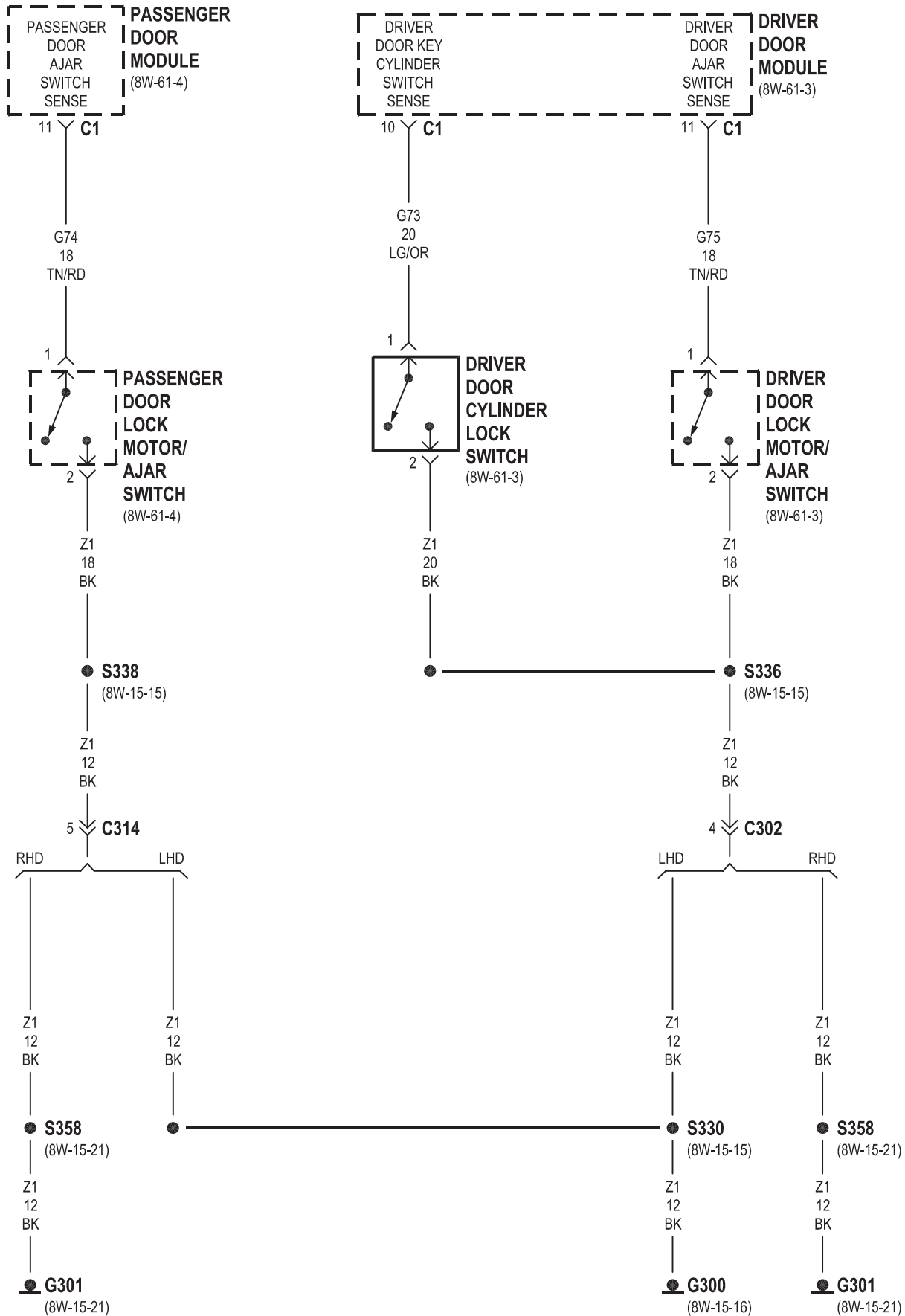
Component	Page	Component	Page
Automatic Headlamp Light		Hood Ajar Switch	8W-39-11
Sensor/VTSS LED	8W-39-3, 10	Horn No. 1	8W-39-7, 8
Body Control Module	8W-39-2, 3, 4, 5, 7, 8, 9, 10, 11	Horn No. 2	8W-39-7, 8
Clockspring	8W-39-7, 8	Horn Relay	8W-39-7, 8
Diagnostic Junction Port	8W-39-9, 10	Horn Switch	8W-39-7, 8
Driver Door Cylinder Lock Switch	8W-39-6	Ignition Switch	8W-39-2
Driver Door Lock Motor/Ajar Switch	8W-39-6	Junction Block	8W-39-2, 3, 4, 5, 7, 8, 9, 10, 12
Driver Door Module	8W-39-6, 12	Left Liftgate Ajar Switch	8W-39-4
Engine Starter Motor Relay	8W-39-2	Left Rear Door Lock Motor/Ajar Switch	8W-39-5
Fuse 7 (JB)	8W-39-3, 9, 12	Liftgate Flip-Up Ajar Switch	8W-39-4
Fuse 8 (JB)	8W-39-10	Passenger Door Lock Motor/Ajar Switch	8W-39-6
Fuse 8 (PDC)	8W-39-2	Passenger Door Module	8W-39-6
Fuse 18 (PDC)	8W-39-7, 8	Power Distribution Center	8W-39-2, 7, 8
Fuse 22 (JB)	8W-39-2, 9, 10	Remote Keyless Module	8W-39-12
Fuse 28 (JB)	8W-39-2	Right Liftgate Ajar Switch	8W-39-4
G106	8W-39-11	Right Rear Door Lock Motor/Ajar Switch	8W-39-5
G108	8W-39-7, 8	Sentry Key Immobilizer Module	8W-39-9
G200	8W-39-9, 10	United Kingdom Security System	
G300	8W-39-5, 6	Module	8W-39-3, 10
G301	8W-39-4, 5, 6, 12		

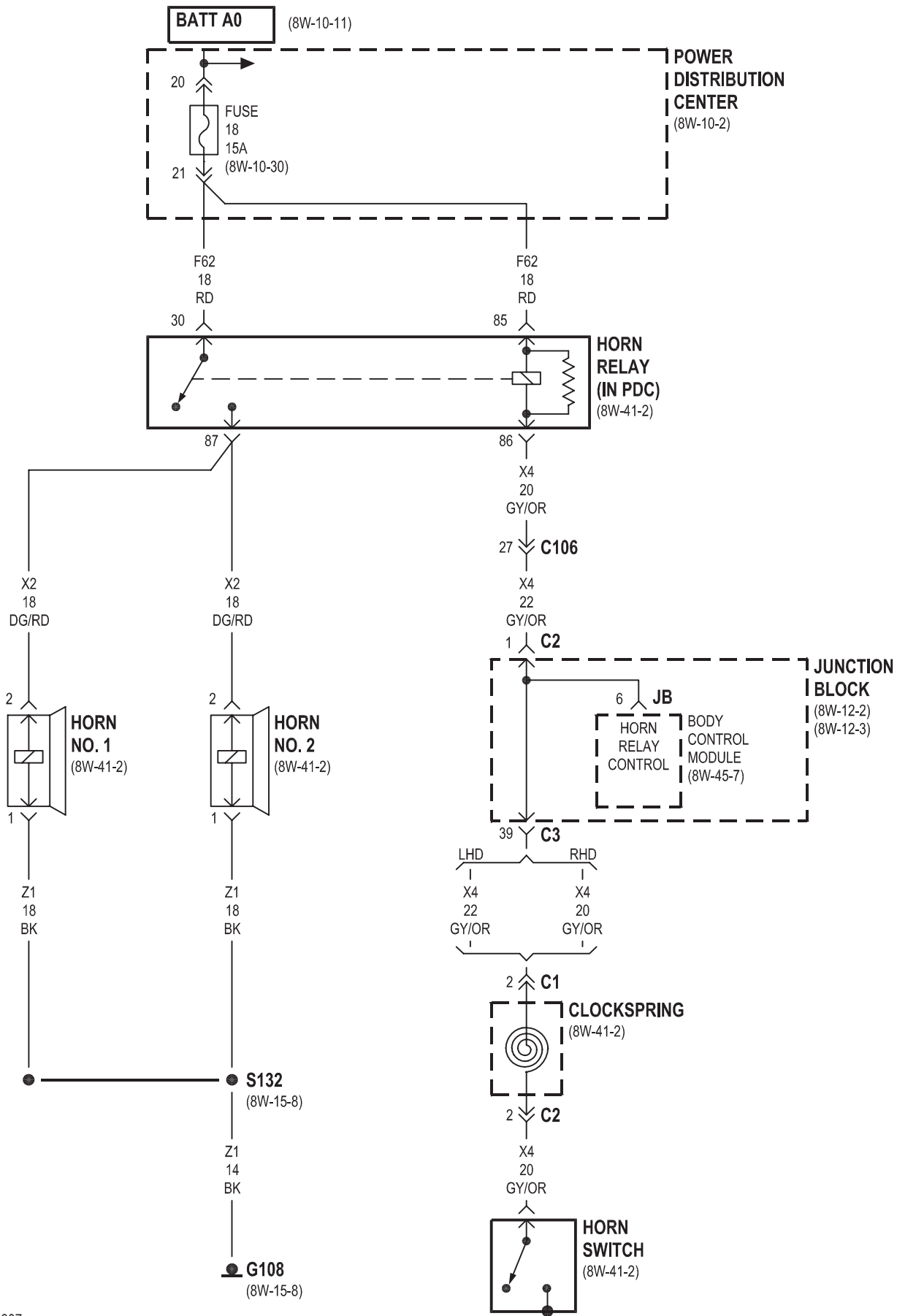


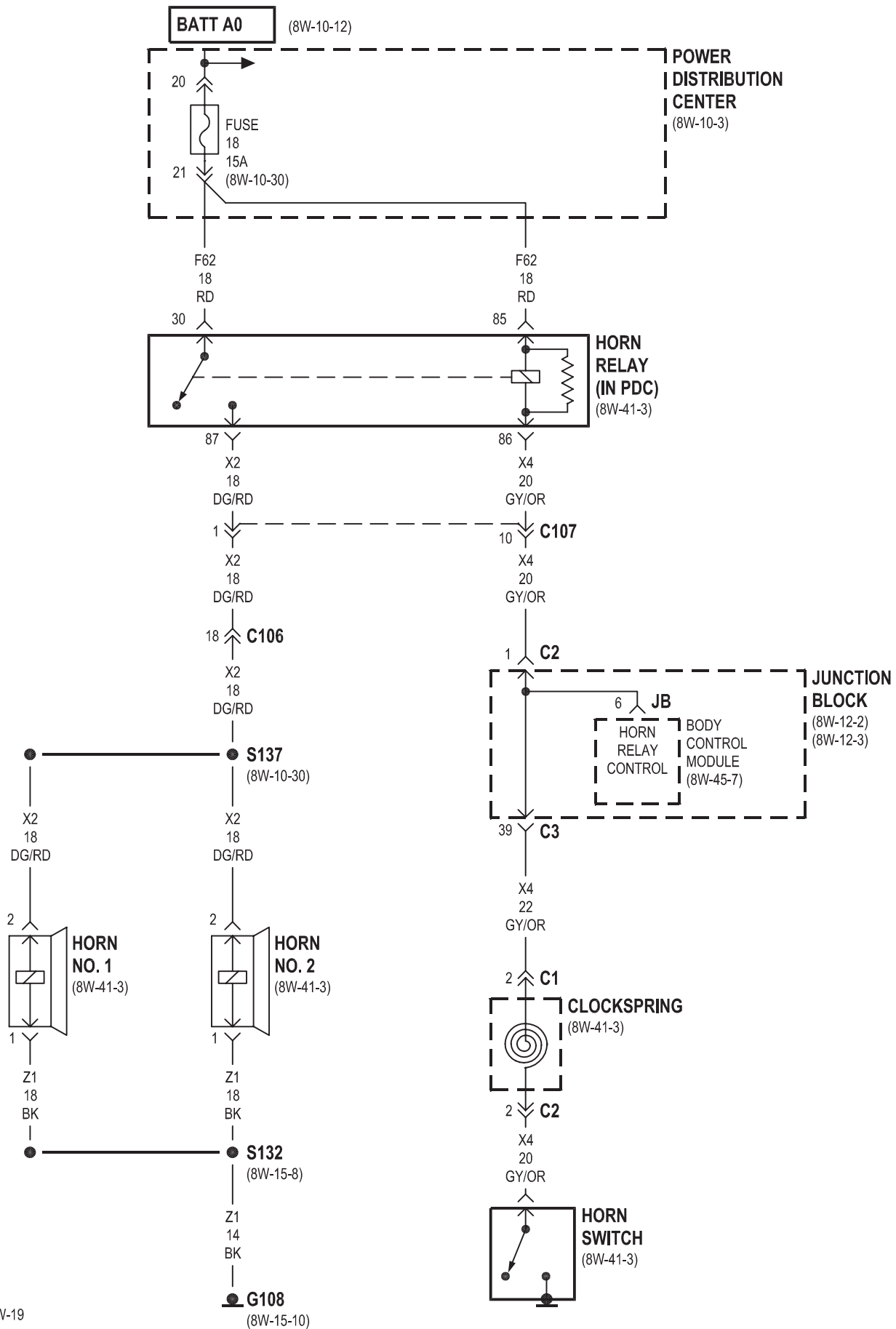


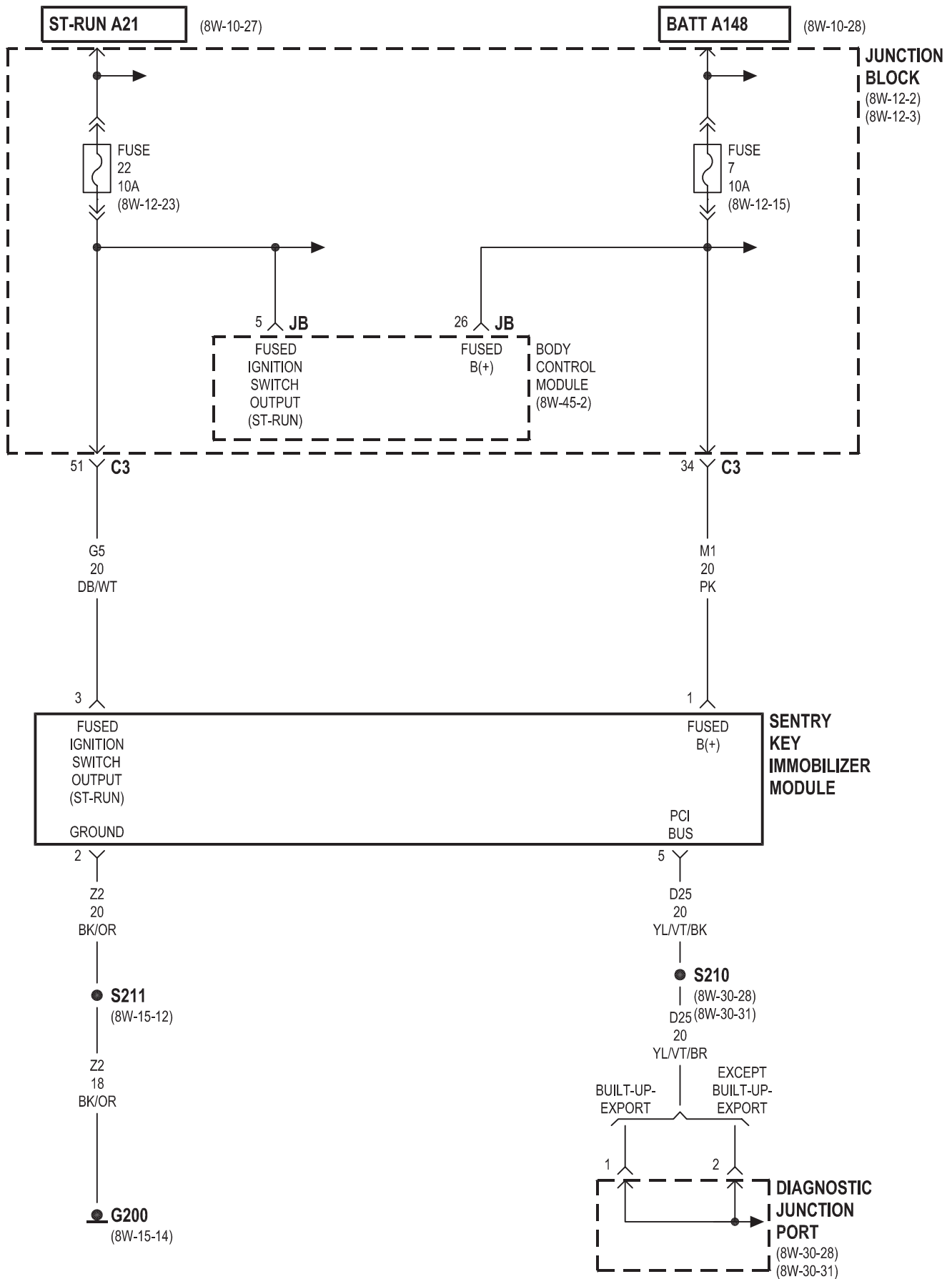




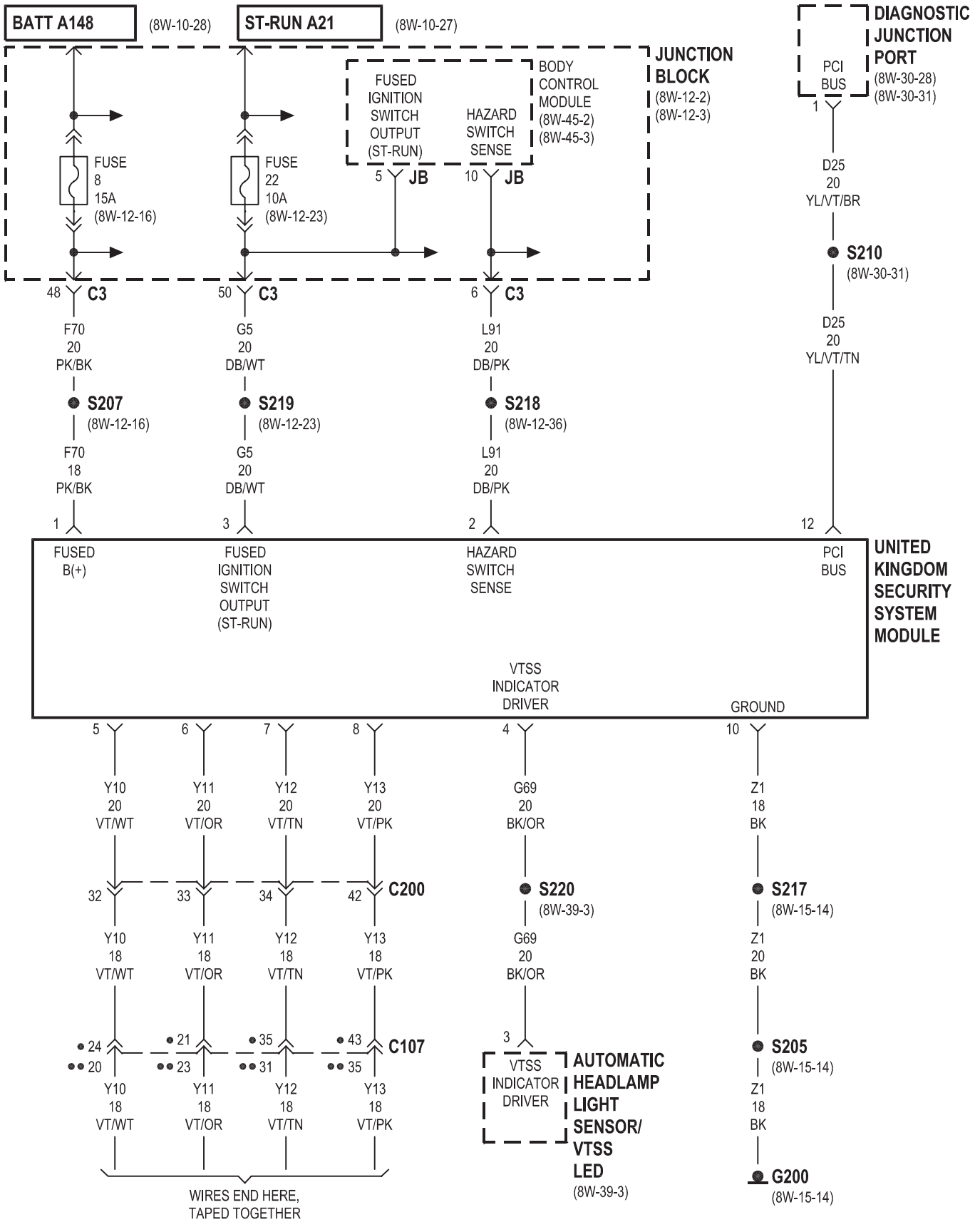




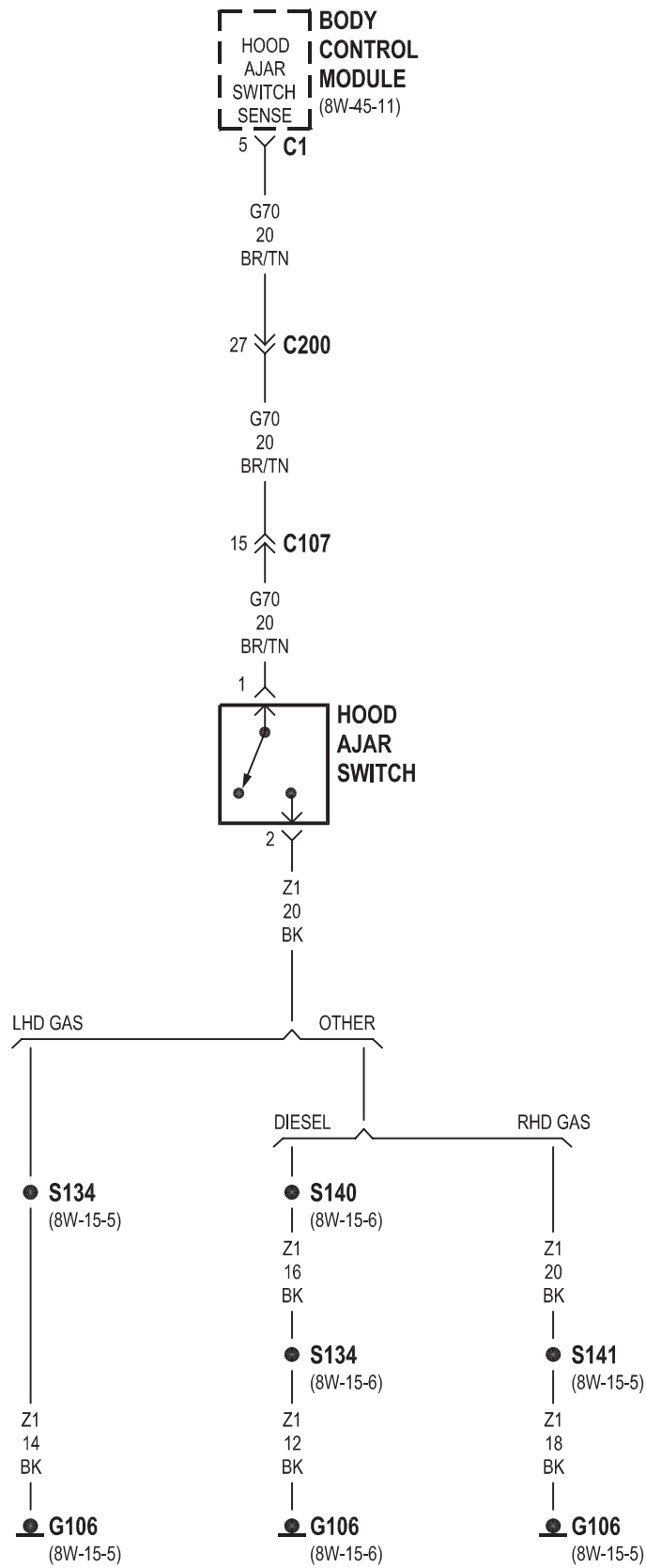


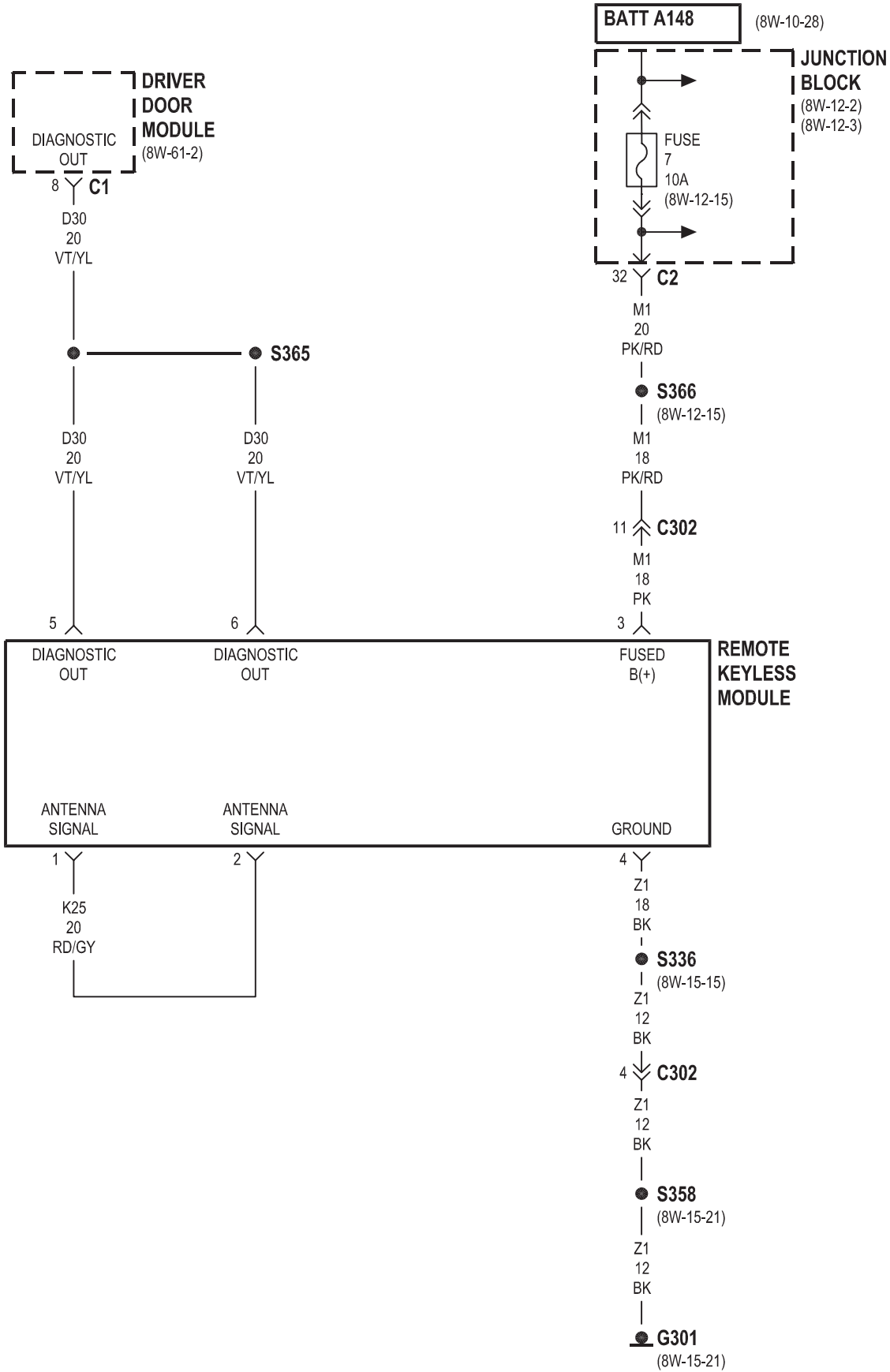


UNITED KINGDOM RHD



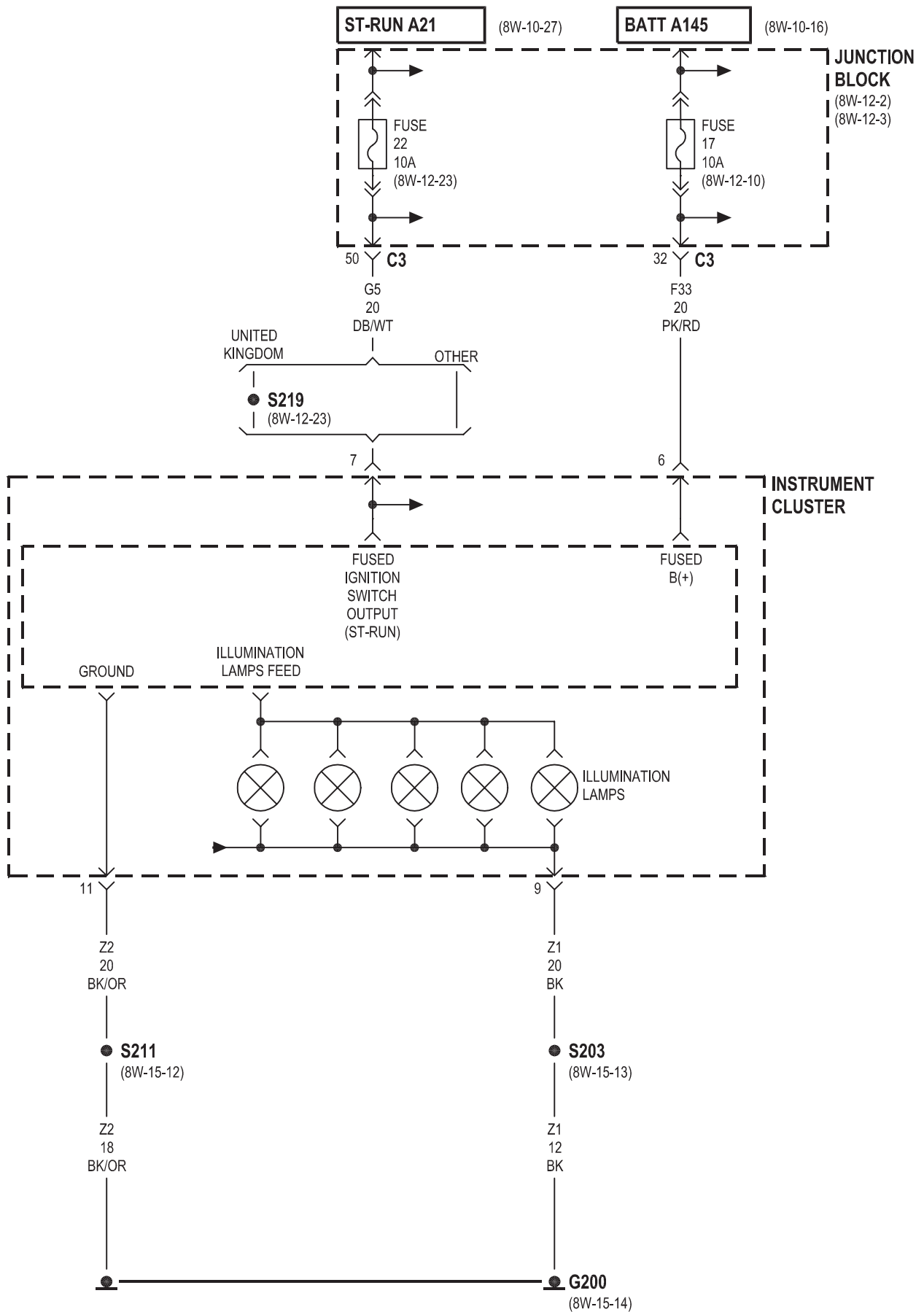
- DIESEL
- GAS

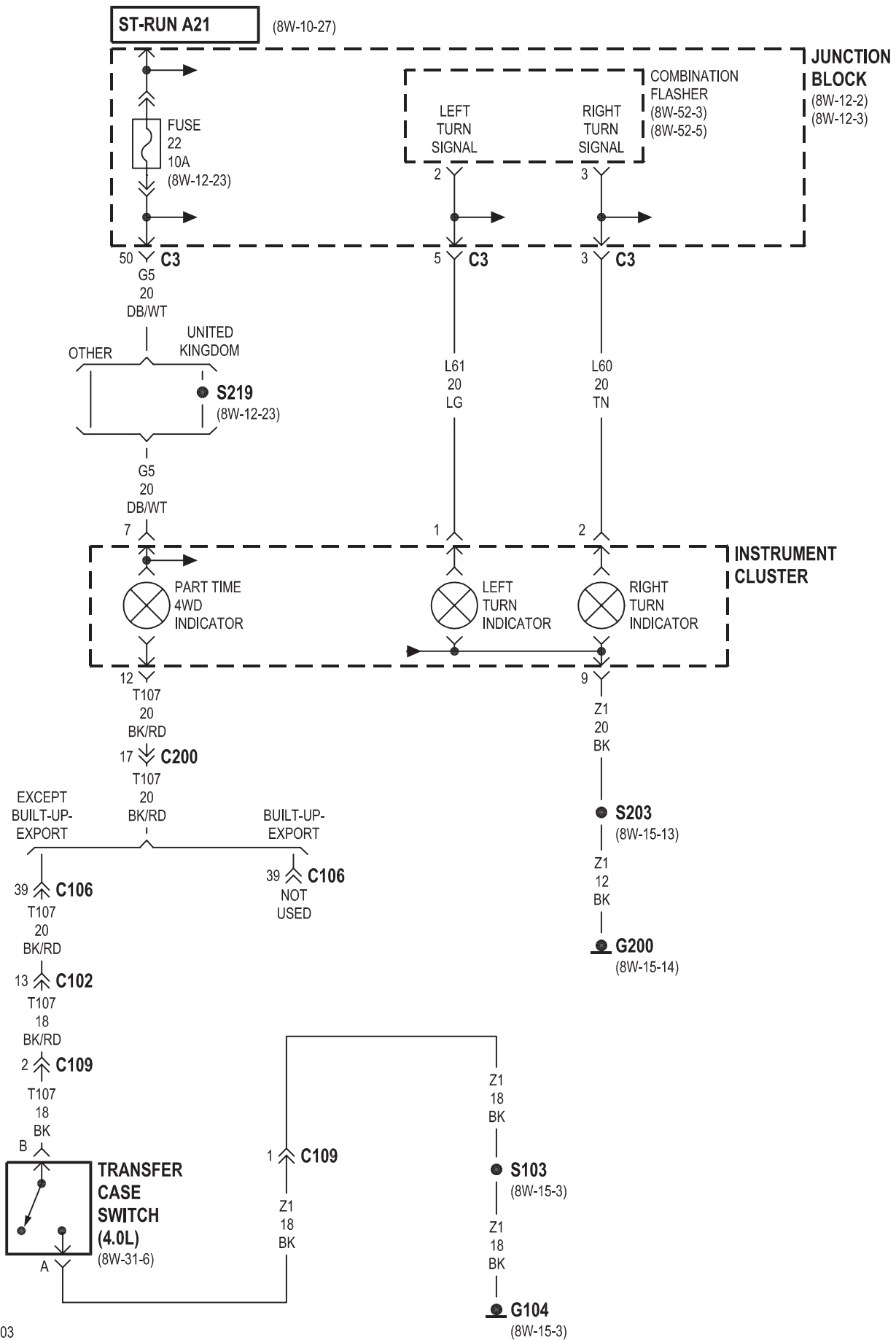




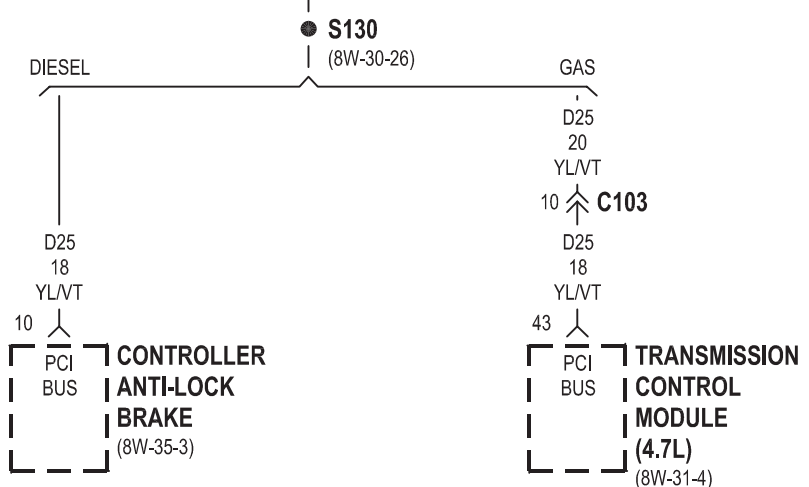
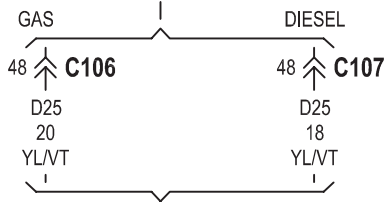
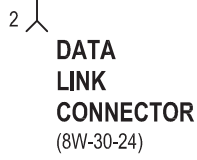
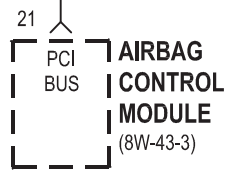
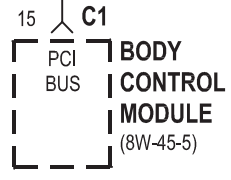
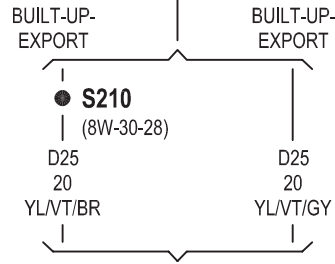
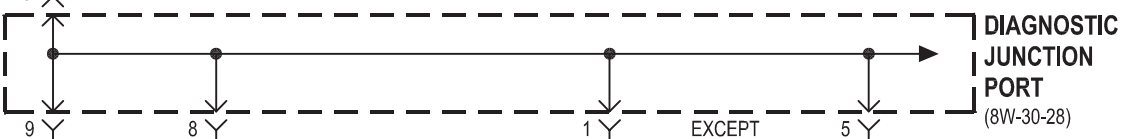
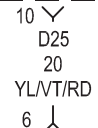
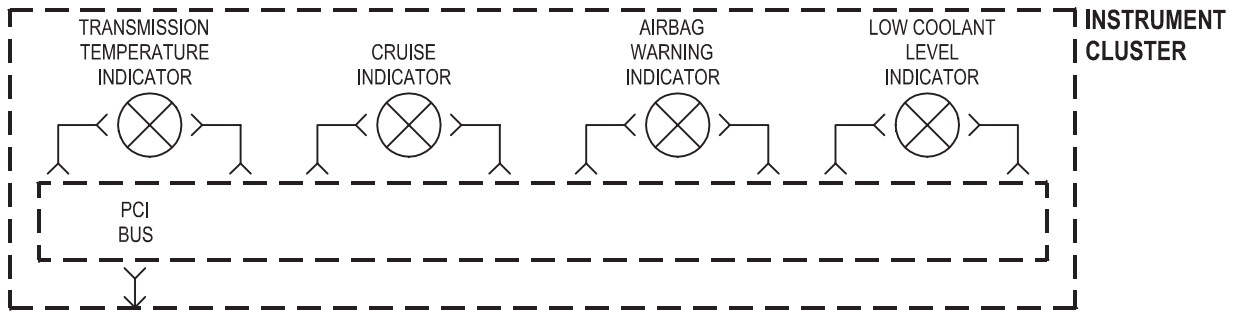
8W-40 INSTRUMENT CLUSTER

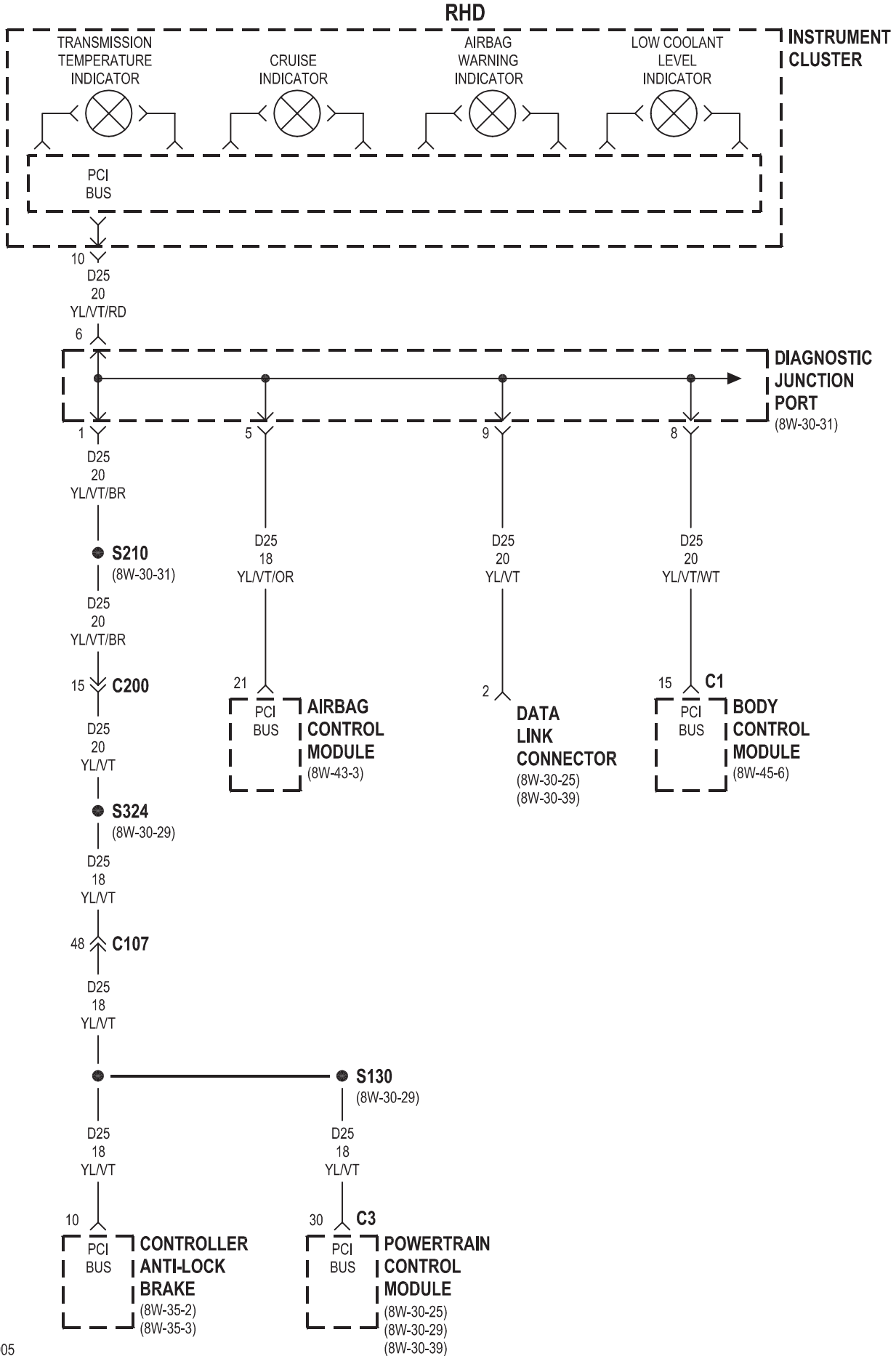
Component	Page	Component	Page
ABS Warning Indicator	8W-40-6, 7	Illumination Lamps	8W-40-2
Airbag Control Module	8W-40-4, 5	Instrument Cluster	8W-40-2, 3, 4, 5, 6, 7, 8, 9, 10
Airbag Warning Indicator	8W-40-4, 5	Junction Block	8W-40-2, 3, 8, 9, 10
Body Control Module	8W-40-4, 5, 6, 7, 10	Left Turn Indicator	8W-40-3
Brake Warning Indicator	8W-40-6, 7	Low Coolant Level Indicator	8W-40-4, 5
Check Engine Indicator	8W-40-6, 7	Low Fuel Warning Indicator	8W-40-6, 7
Check Gauges Indicator	8W-40-6, 7	Oil Pressure Gauge	8W-40-8, 9
Chime	8W-40-10	Overdrive Indicator	8W-40-6, 7
Combination Flasher	8W-40-3	Park Brake Switch	8W-40-6, 7
Controller Anti-Lock Brake	8W-40-4, 5, 6, 7, 8, 9	Part Time 4wd Indicator	8W-40-3
Cruise Indicator	8W-40-4, 5	Powertrain Control Module	8W-40-5, 6, 7, 8, 9, 10
Data Link Connector	8W-40-4, 5	Rear Fog Lamp Indicator	8W-40-10
Diagnostic Junction Port	8W-40-4, 5, 6, 7, 8, 9, 10	Right Turn Indicator	8W-40-3
Engine Coolant Temperature Gauge	8W-40-8, 9	Seat Belt Switch	8W-40-10
Fog Lamp Indicator	8W-40-6, 7	Seat Belt Warning Indicator	8W-40-10
Fuel Gauge	8W-40-8	Skim Indicator	8W-40-10
Fuse 17 (JB)	8W-40-2	Speedometer	8W-40-8, 9
Fuse 22 (JB)	8W-40-2, 3	Tachometer	8W-40-8, 9
G104	8W-40-3	Transfer Case Switch	8W-40-3
G200	8W-40-2, 3, 10	Transmission Control Module	8W-40-4, 8
G300	8W-40-10	Transmission Temperature Indicator	8W-40-4, 5
G301	8W-40-10	Vehicle Information Center	8W-40-7
Glow Plug Indicator	8W-40-9	Voltmeter	8W-40-8, 9
High Beam Indicator	8W-40-6, 7	Water In Fuel Indicator	8W-40-10



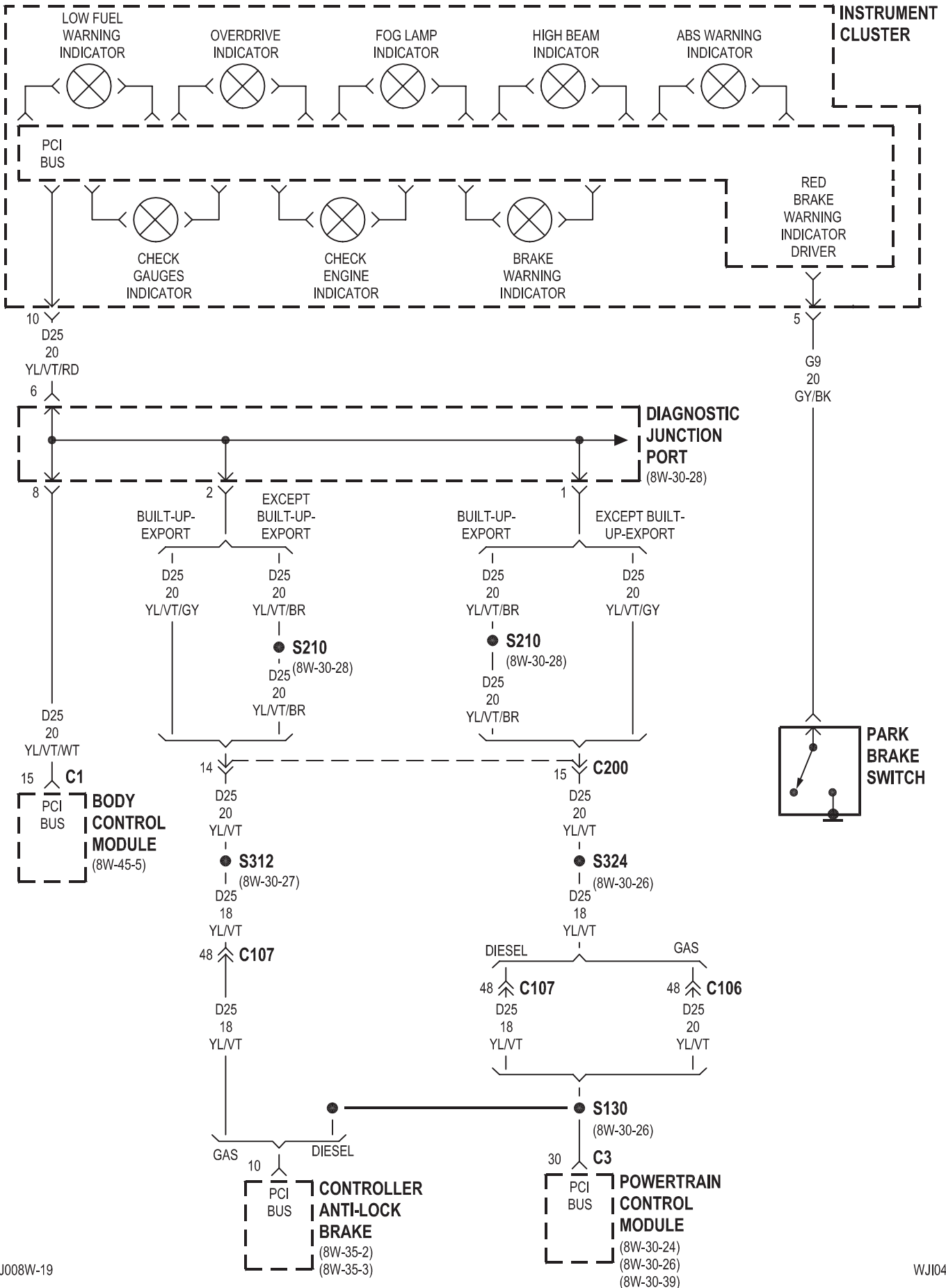


LHD

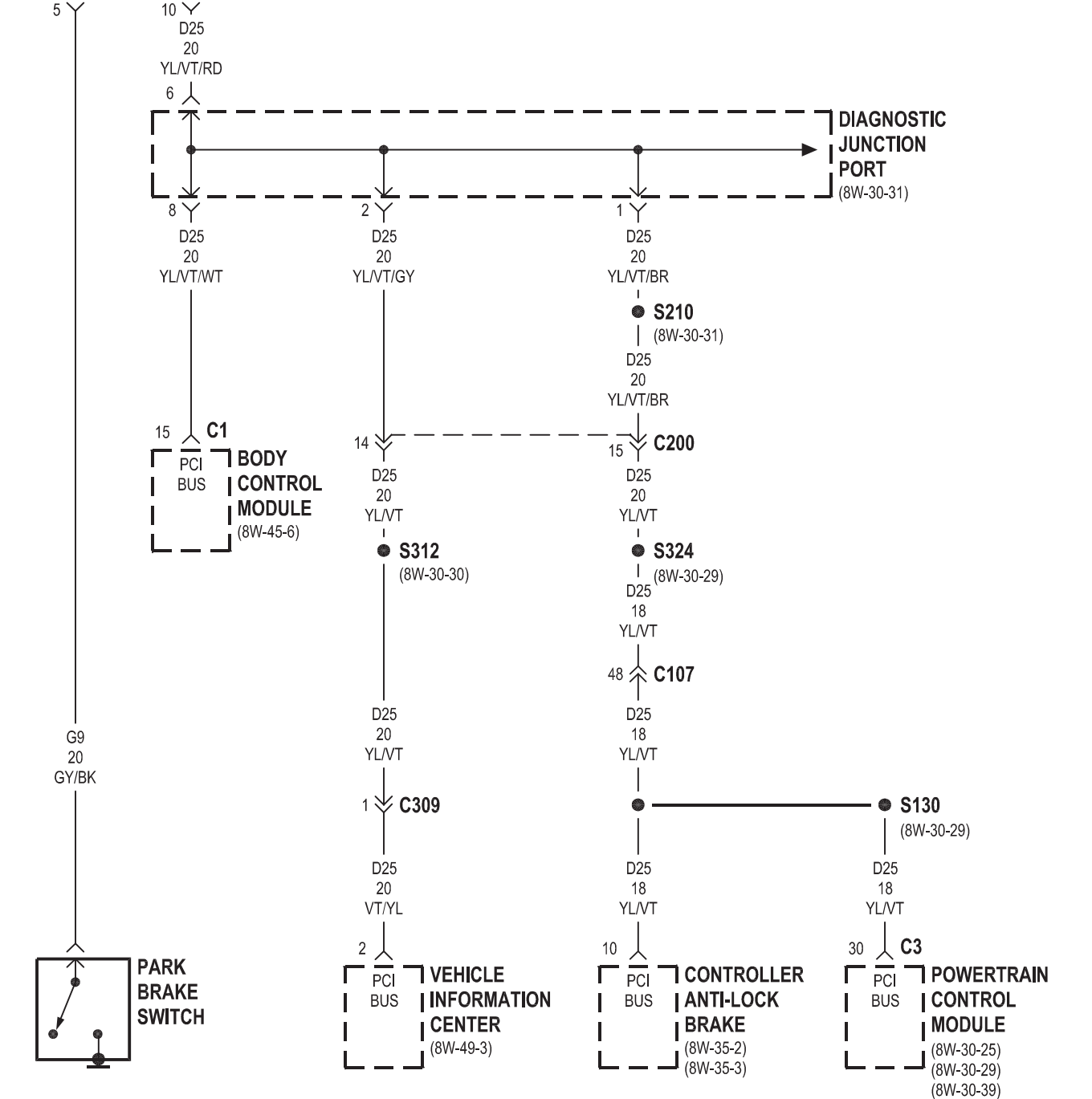
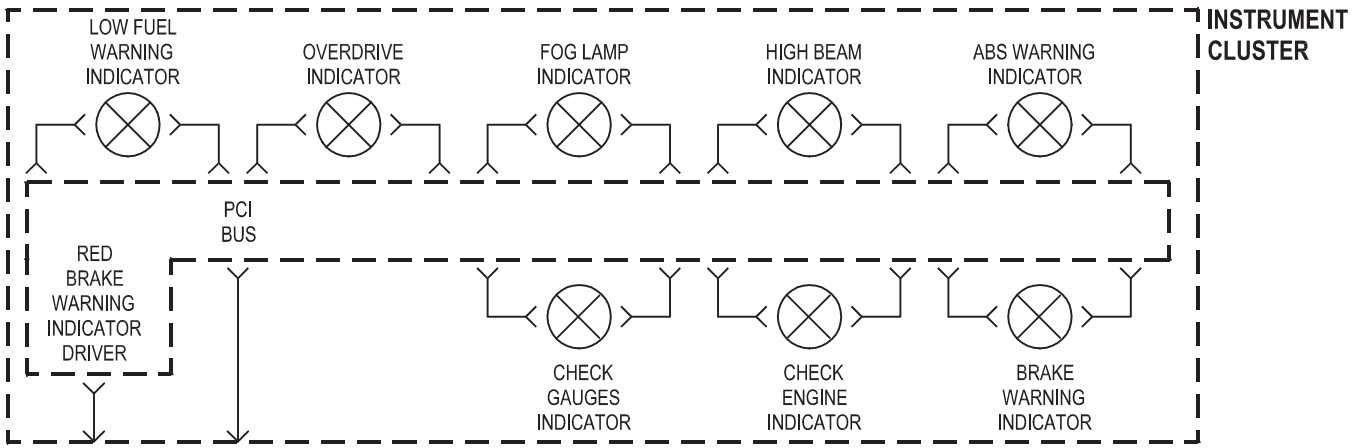




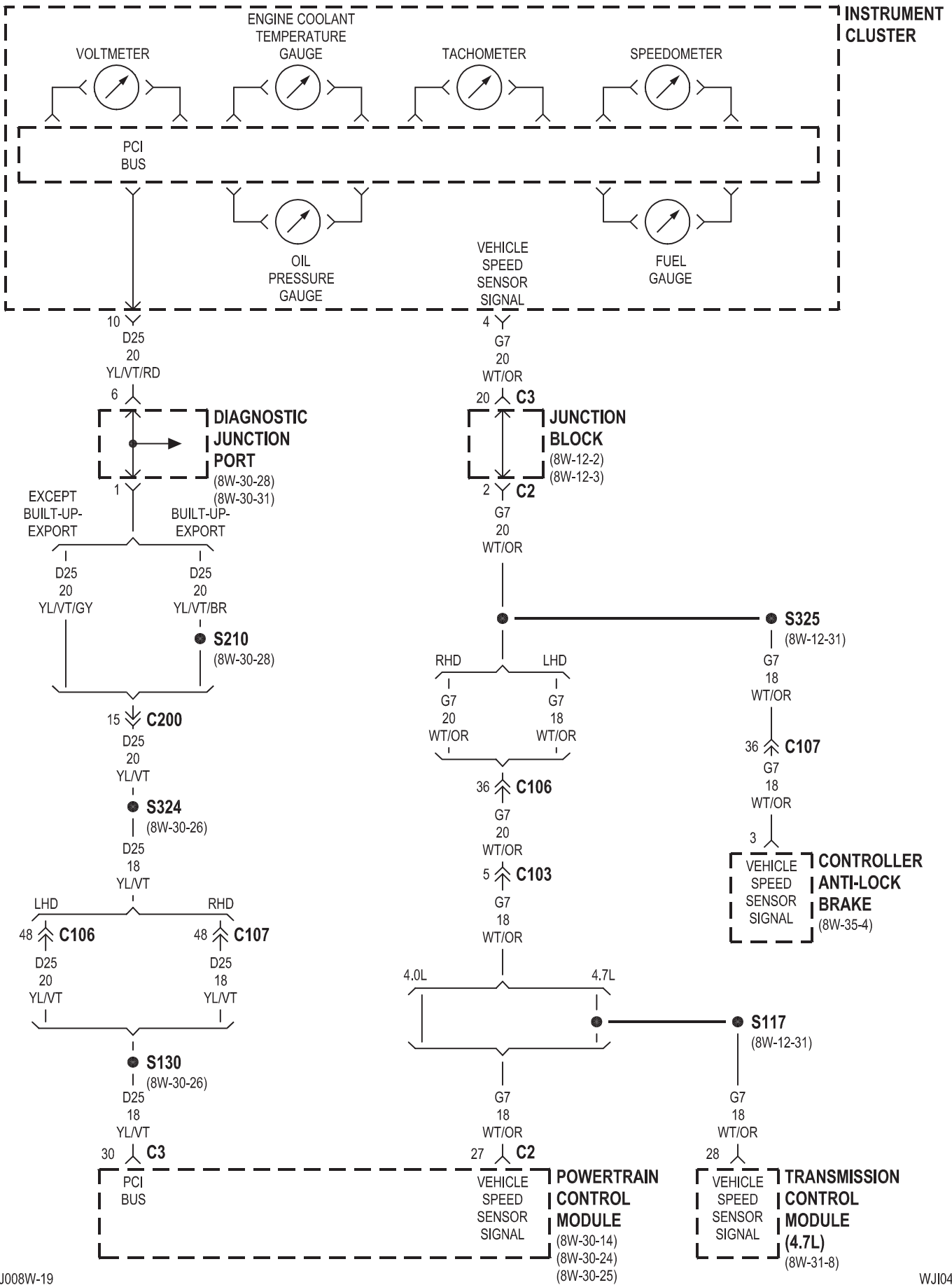
LHD

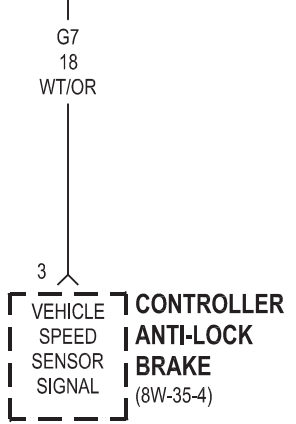
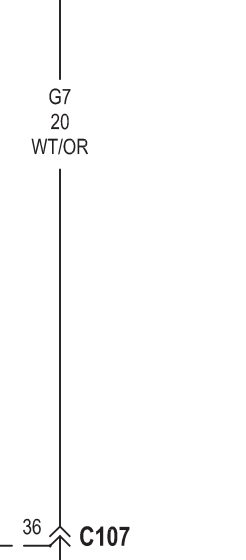
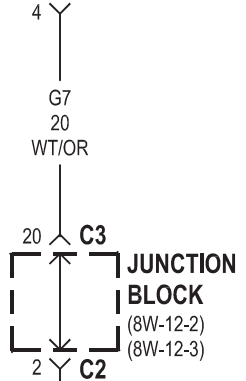
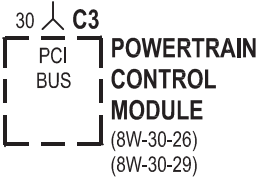
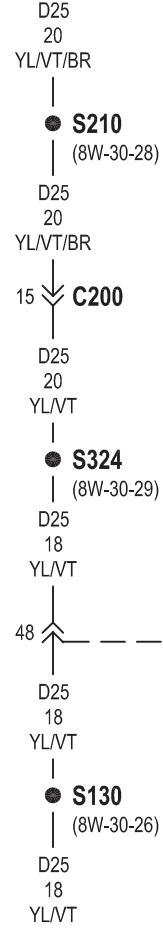
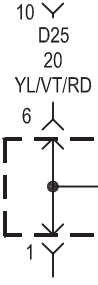
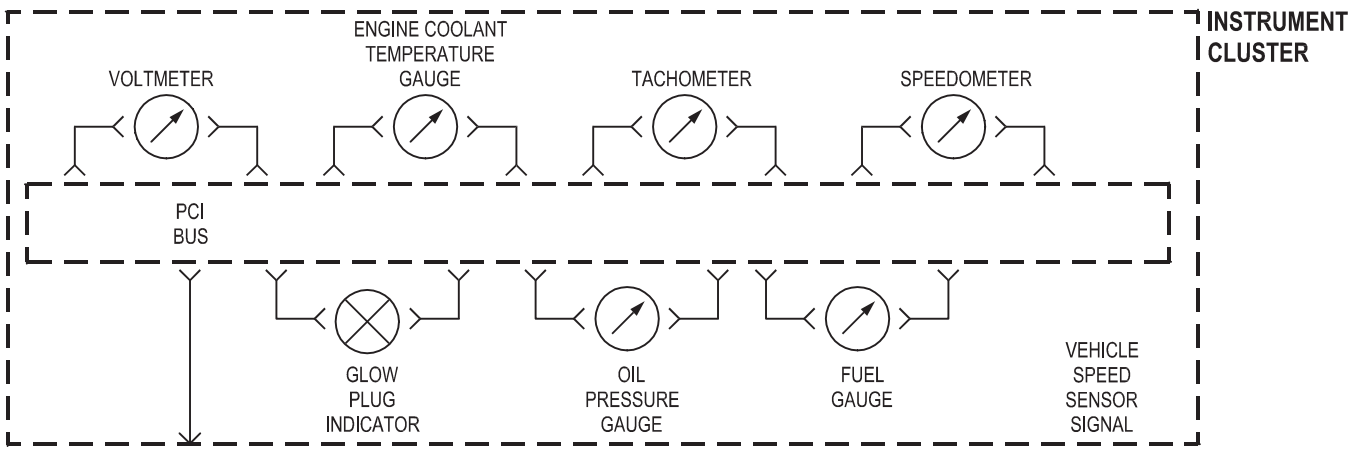


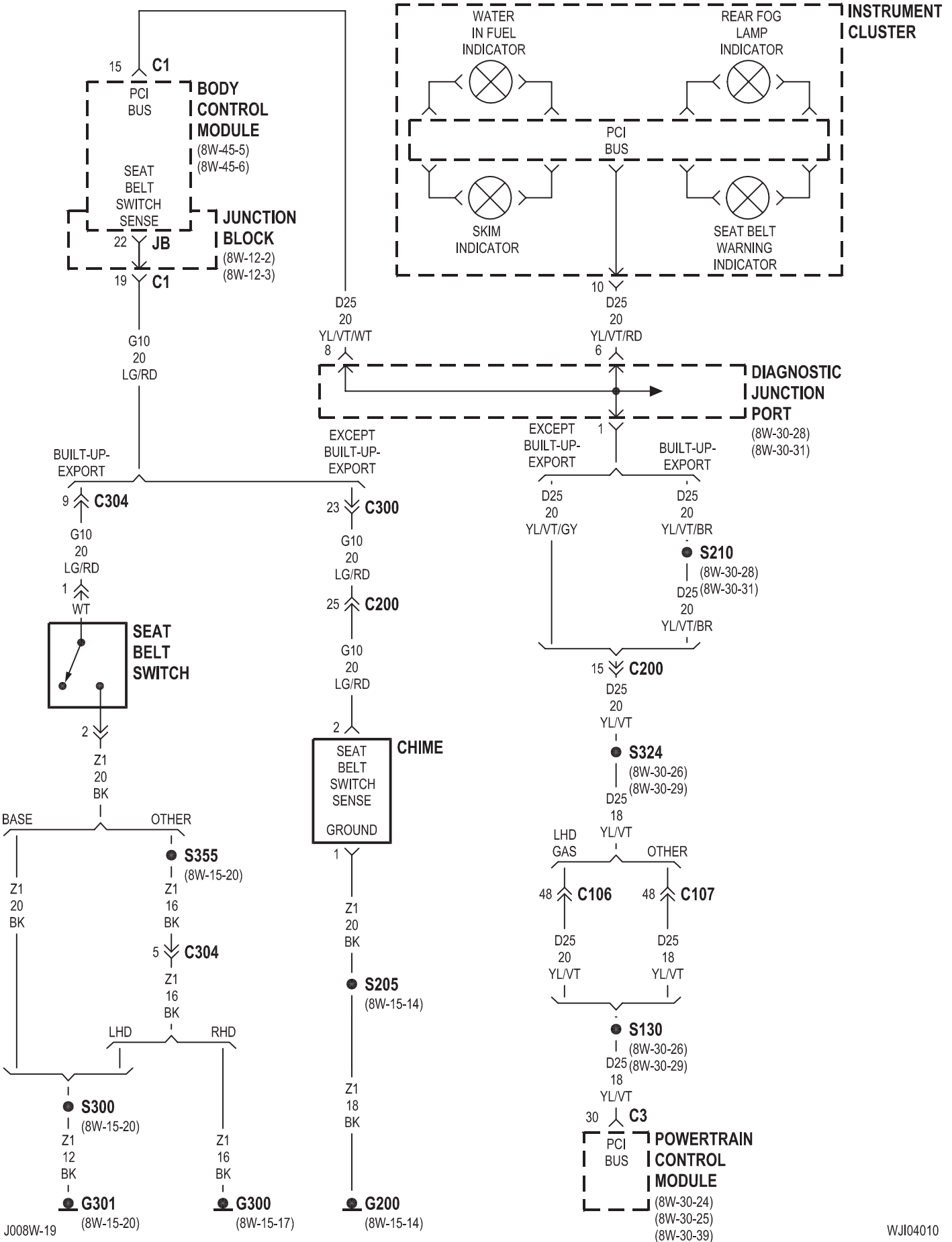
RHD



GAS

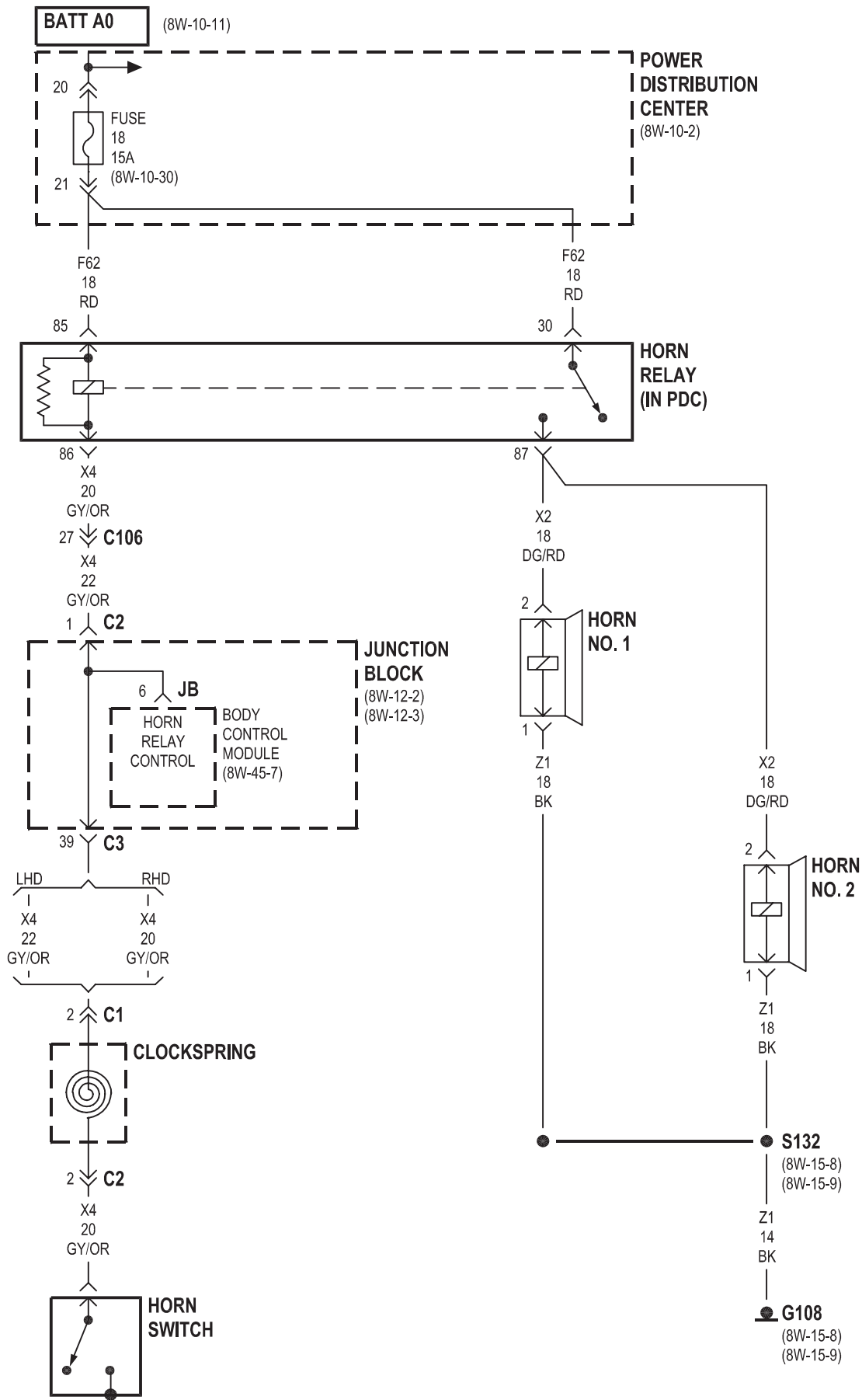


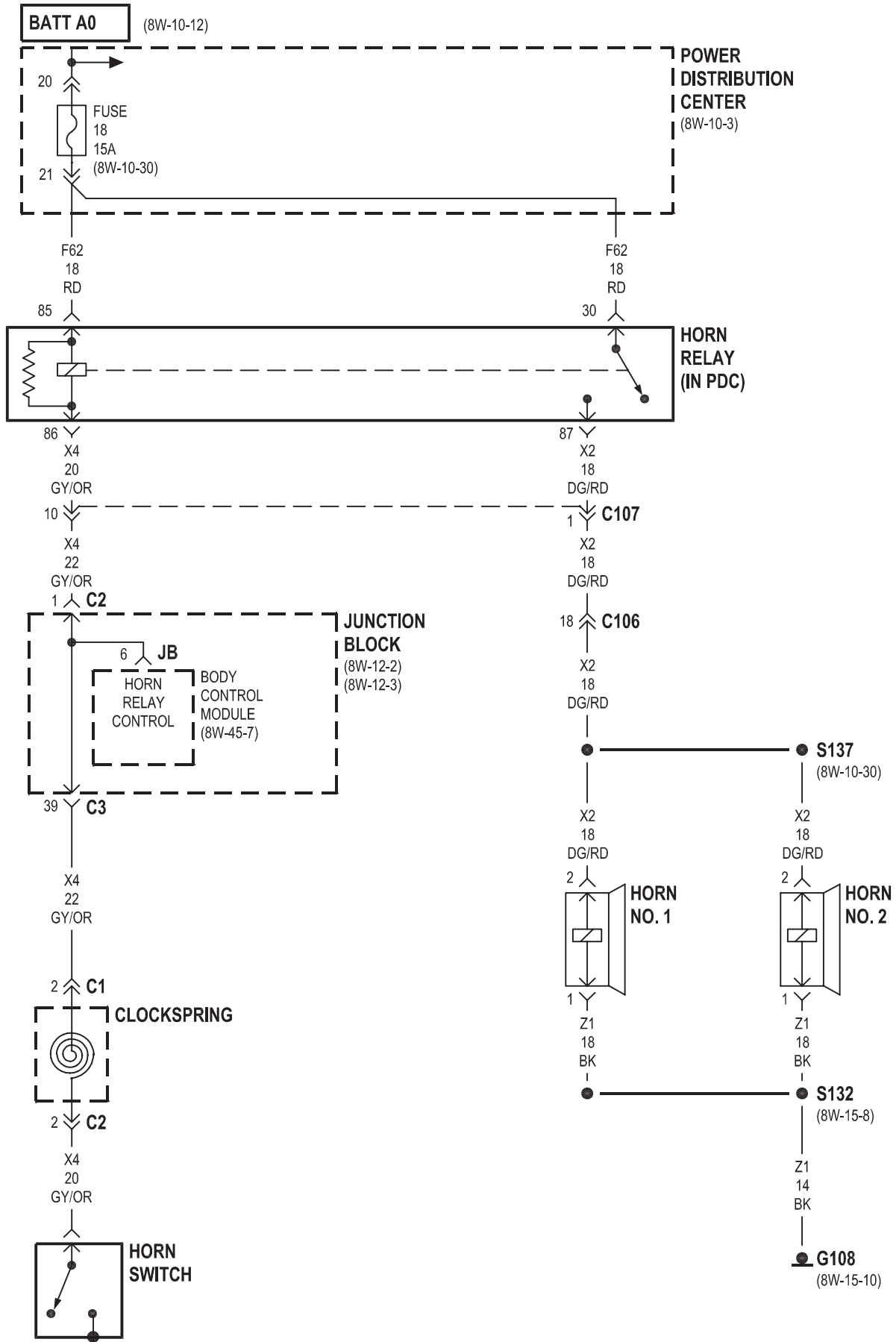


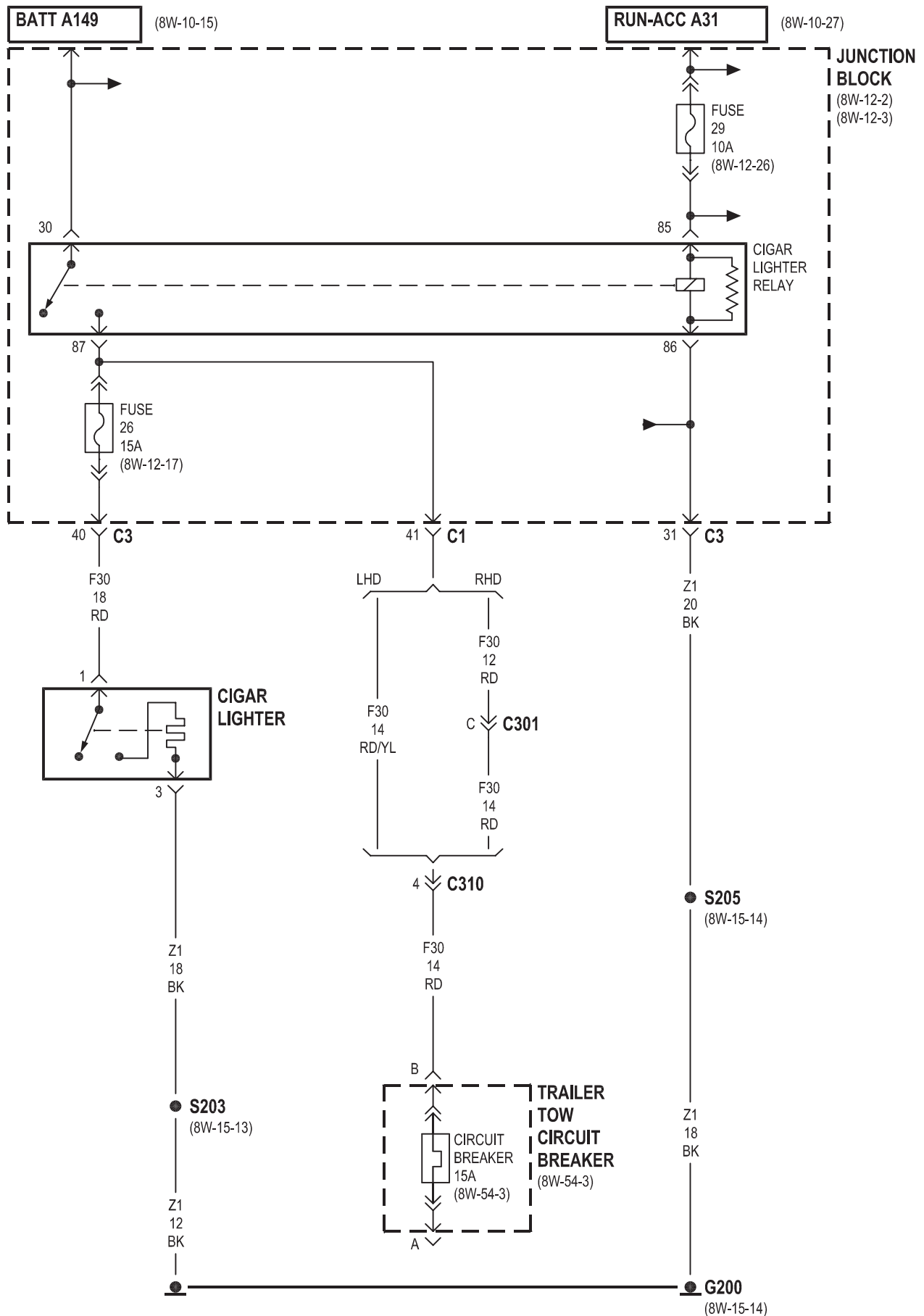


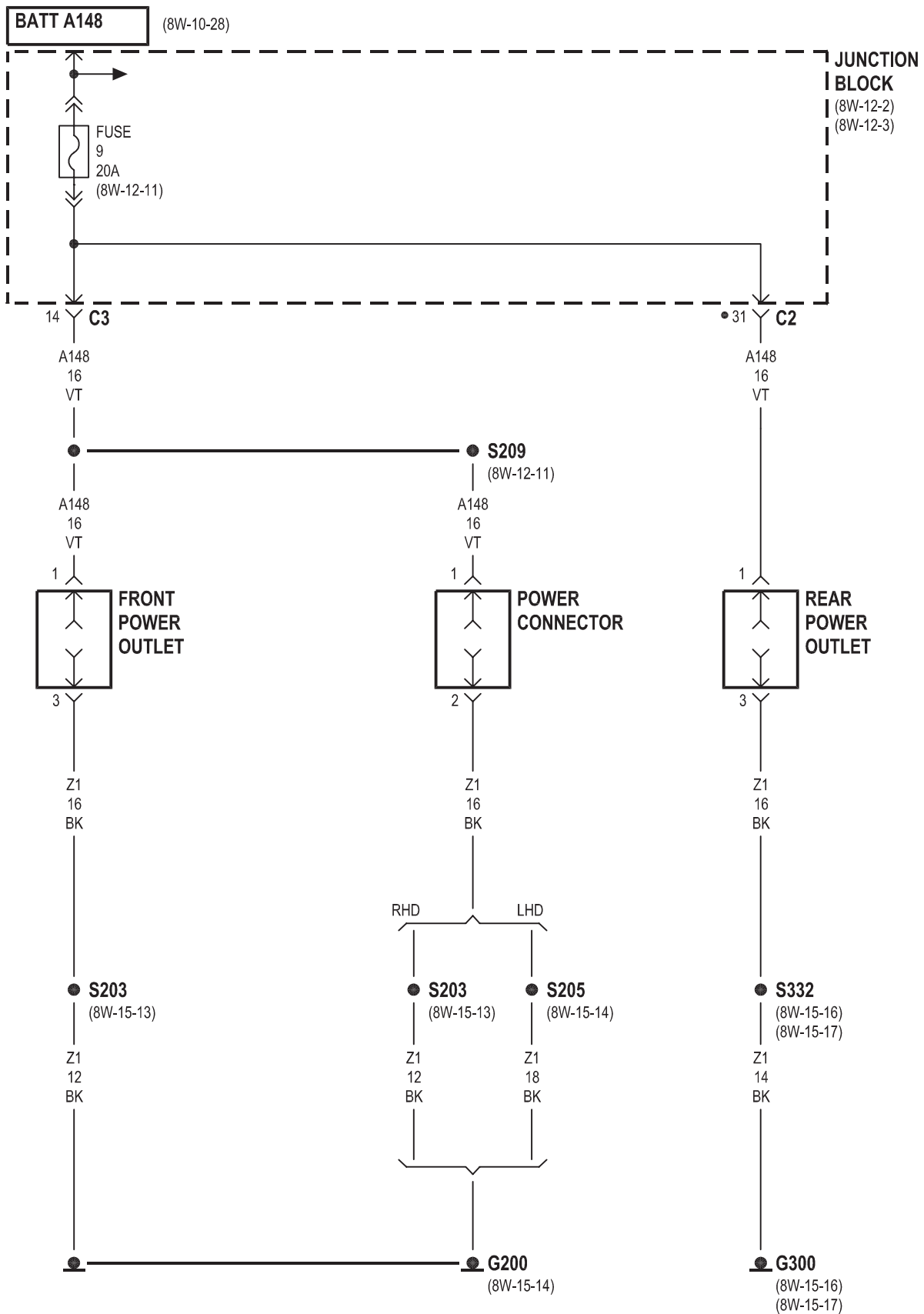
8W-41 HORN/CIGAR LIGHTER/POWER OUTLET

Component	Page	Component	Page
Body Control Module	8W-41-2, 3	G200	8W-41-4, 5
Cigar Lighter	8W-41-4	G300	8W-41-5
Cigar Lighter Relay	8W-41-4	Horn No. 1	8W-41-2, 3
Circuit Breaker	8W-41-4	Horn No. 2	8W-41-2, 3
Clockspring	8W-41-2, 3	Horn Relay	8W-41-2, 3
Front Power Outlet	8W-41-5	Horn Switch	8W-41-2, 3
Fuse 9 (JB)	8W-41-5	Junction Block	8W-41-2, 3, 4, 5
Fuse 18 (PDC)	8W-41-2, 3	Power Connector	8W-41-5
Fuse 26 (JB)	8W-41-4	Power Distribution Center	8W-41-2, 3
Fuse 29 (JB)	8W-41-4	Rear Power Outlet	8W-41-5
G108	8W-41-2, 3	Trailer Tow Circuit Breaker	8W-41-4





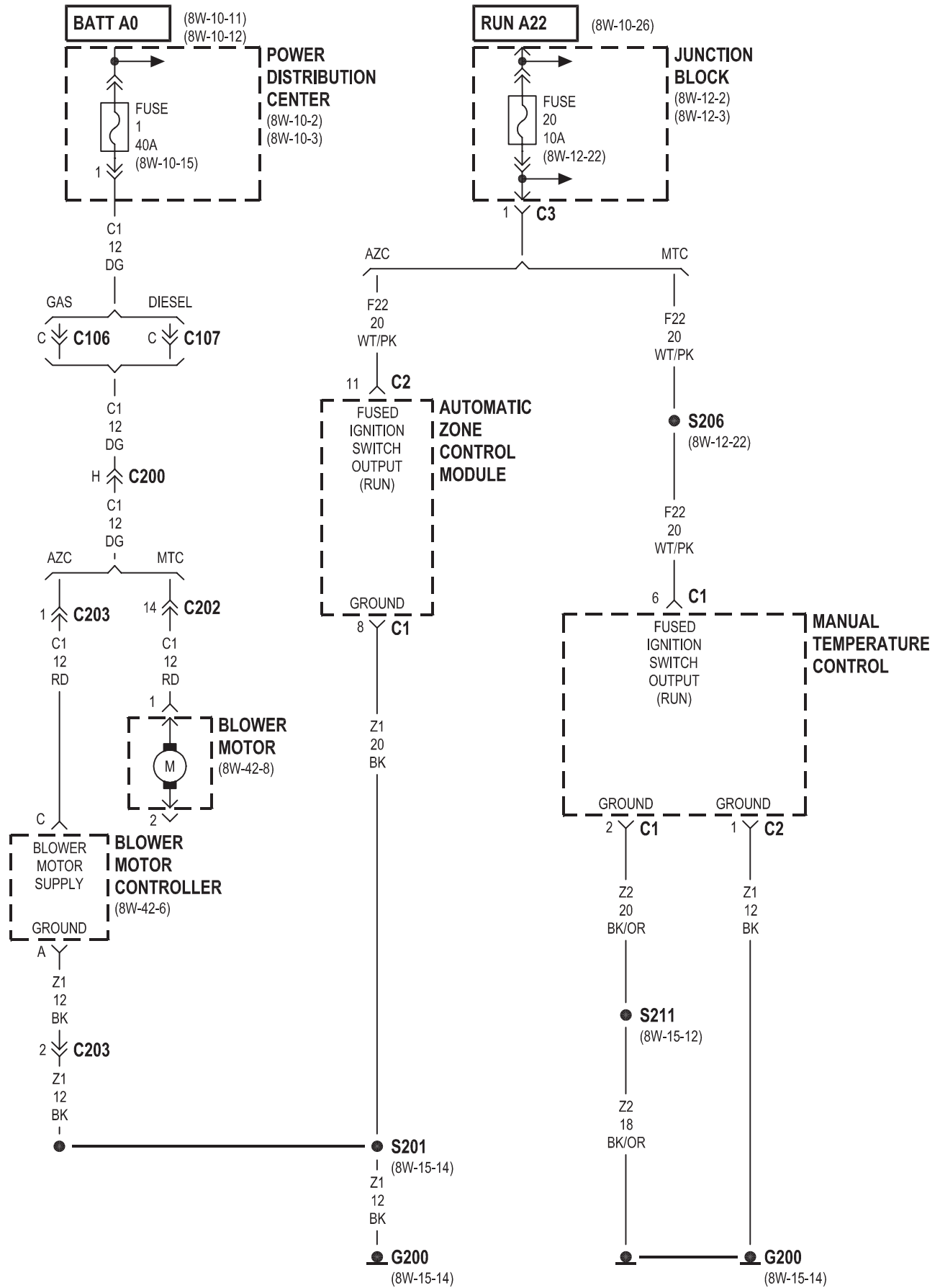


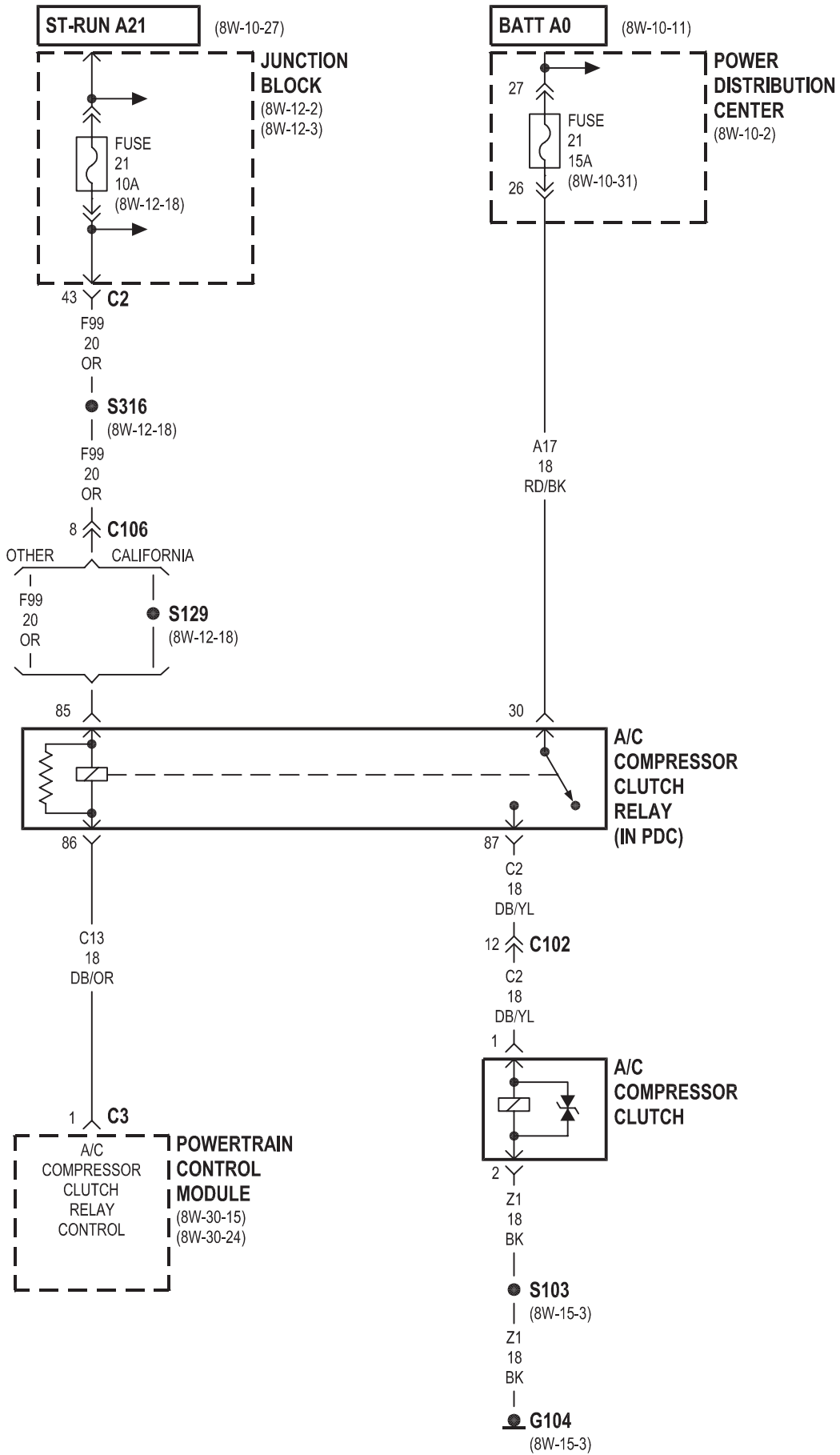


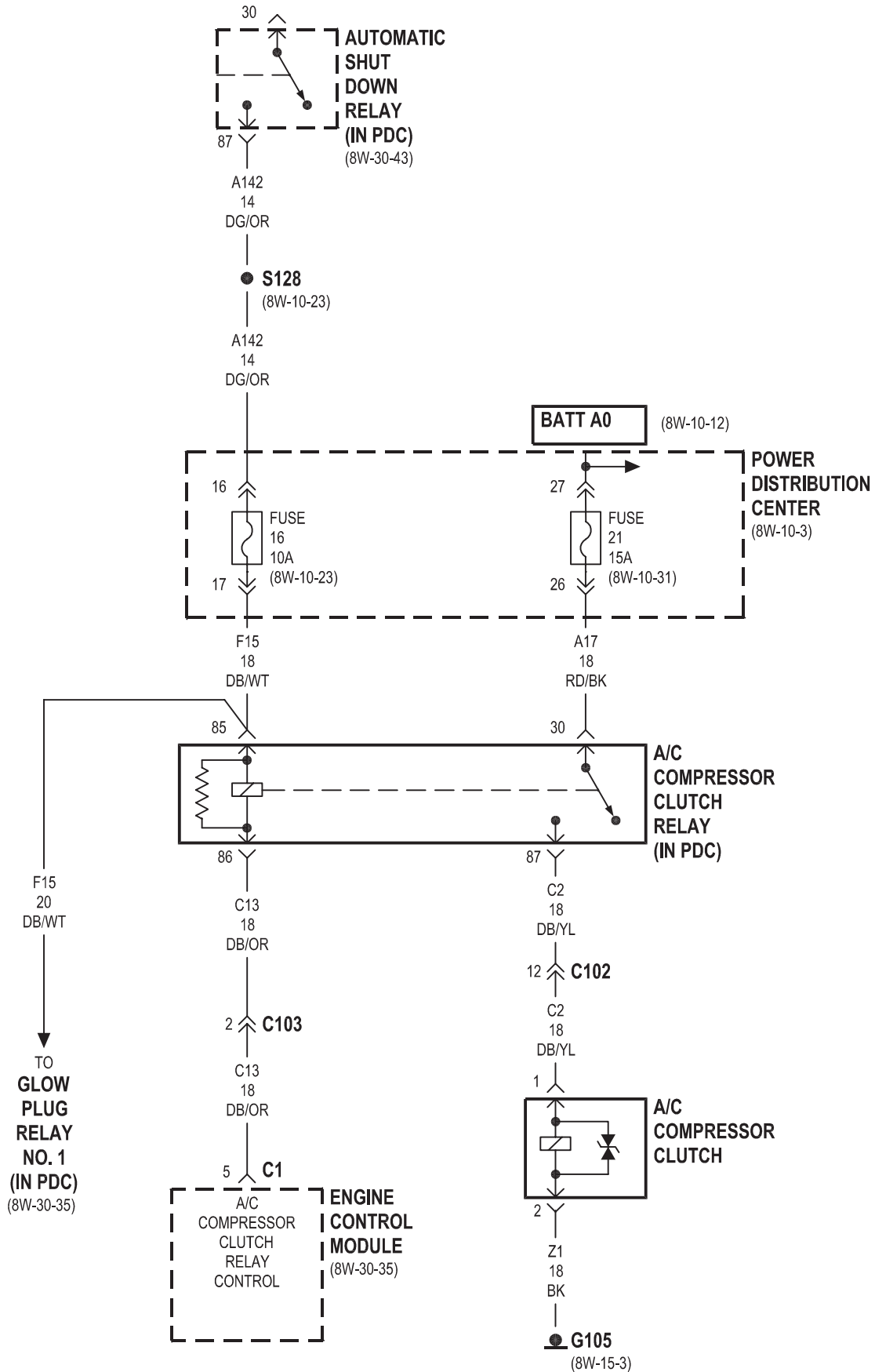
• POWER SEATS

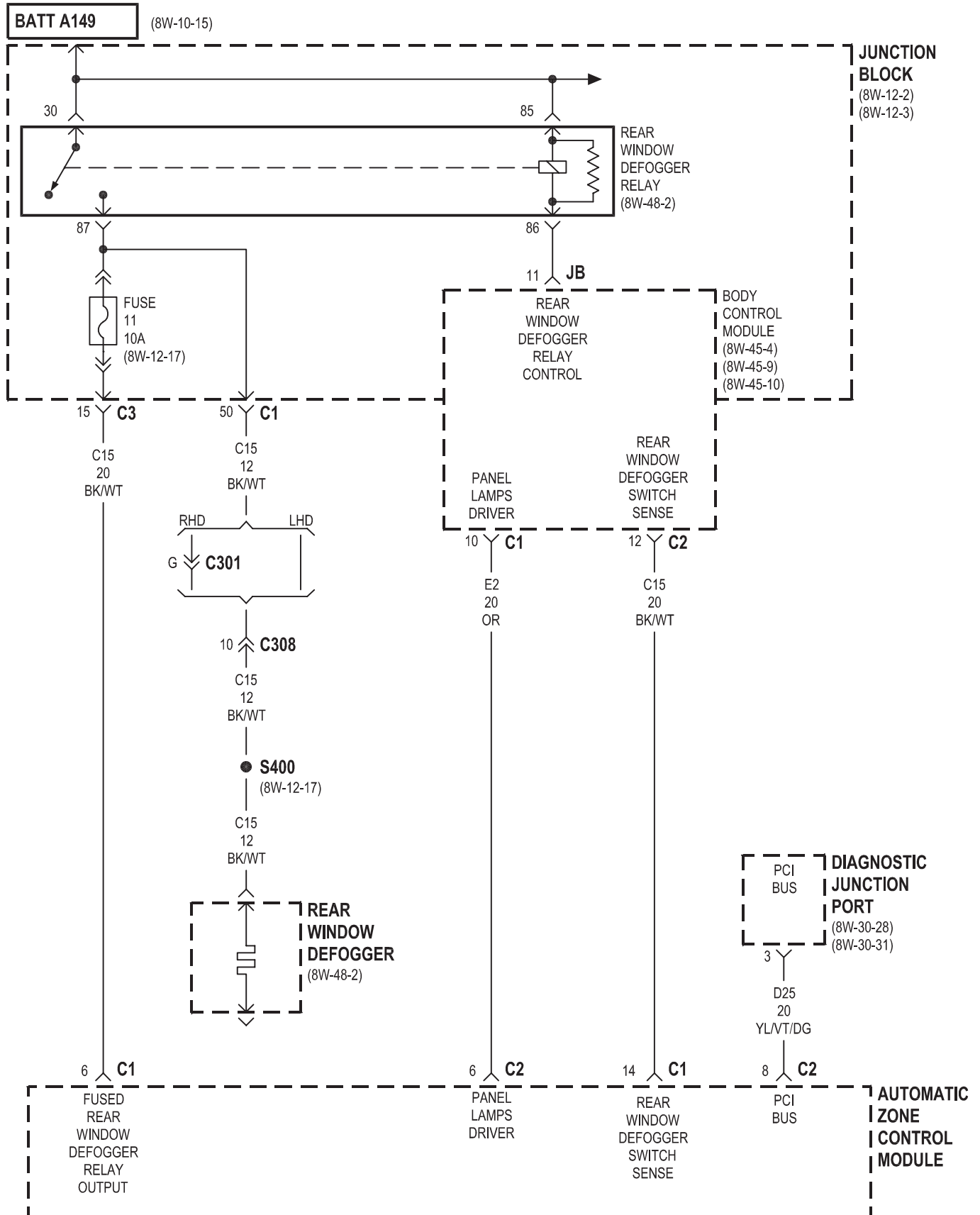
8W-42 AIR CONDITIONING-HEATER

Component	Page	Component	Page
A/C Compressor Clutch	8W-42-3, 4	Fuse 21 (PDC)	8W-42-3, 4
A/C Compressor Clutch Relay	8W-42-3, 4	G104	8W-42-3
A/C High Pressure Switch	8W-42-10, 11	G105	8W-42-4
A/C Low Pressure Switch	8W-42-10, 11	G106	8W-42-10, 11
Automatic Shut Down Relay	8W-42-4	G108	8W-42-10, 11
Automatic Zone Control Module	8W-42-2, 5, 6, 7	G200	8W-42-2, 6, 9
Blower Motor	8W-42-2, 6, 8	Glow Plug Relay No. 1	8W-42-4
Blower Motor Controller	8W-42-2, 6	Junction Block	8W-42-2, 3, 5, 6, 9
Blower Motor Resistor Block	8W-42-8	Manual Temperature Control	8W-42-2, 8, 9
Body Control Module	8W-42-5, 6, 8, 9	Mode Door Motor/Actuator	8W-42-7
Diagnostic Junction Port	8W-42-5	Passenger Blend Door Motor/Actuator	8W-42-7
Driver Blend Door Motor/Actuator	8W-42-7	Power Distribution Center	8W-42-2, 3, 4, 6, 8, 10, 11
Engine Control Module	8W-42-4, 11	Powertrain Control Module	8W-42-3, 10, 11
Fuse 1 (PDC)	8W-42-2, 6, 8	Radiator Fan Motor	8W-42-10, 11
Fuse 7 (JB)	8W-42-6	Radiator Fan Relay	8W-42-10, 11
Fuse 10 (PDC)	8W-42-10, 11	Rear Window Defogger	8W-42-5, 9
Fuse 11 (JB)	8W-42-5, 9	Rear Window Defogger Relay	8W-42-5, 9
Fuse 16 (PDC)	8W-42-4	Recirculation Door Motor/Actuator	8W-42-7
Fuse 20 (JB)	8W-42-2, 9	Temperature Valve Actuator	8W-42-9
Fuse 21 (JB)	8W-42-3		

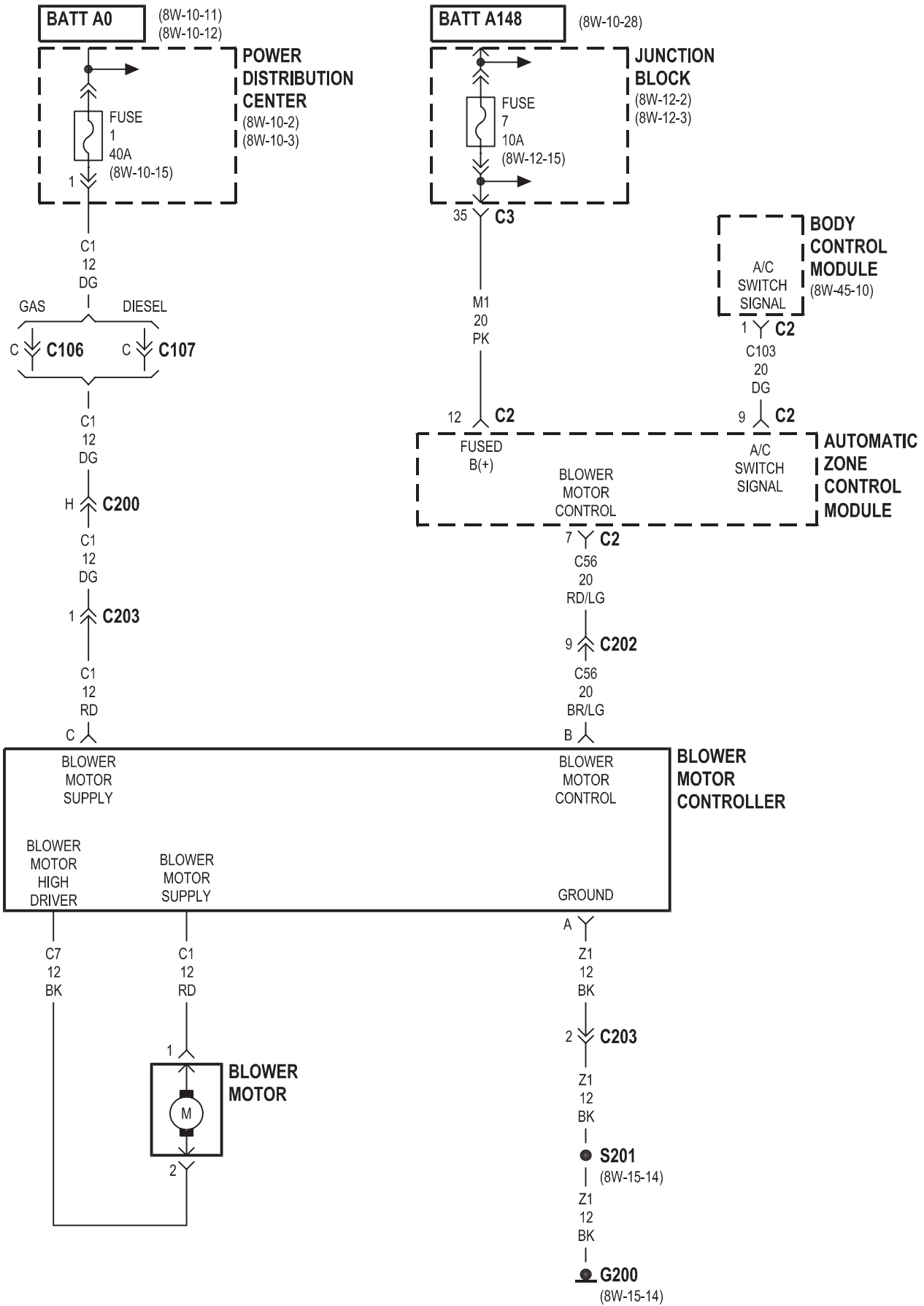


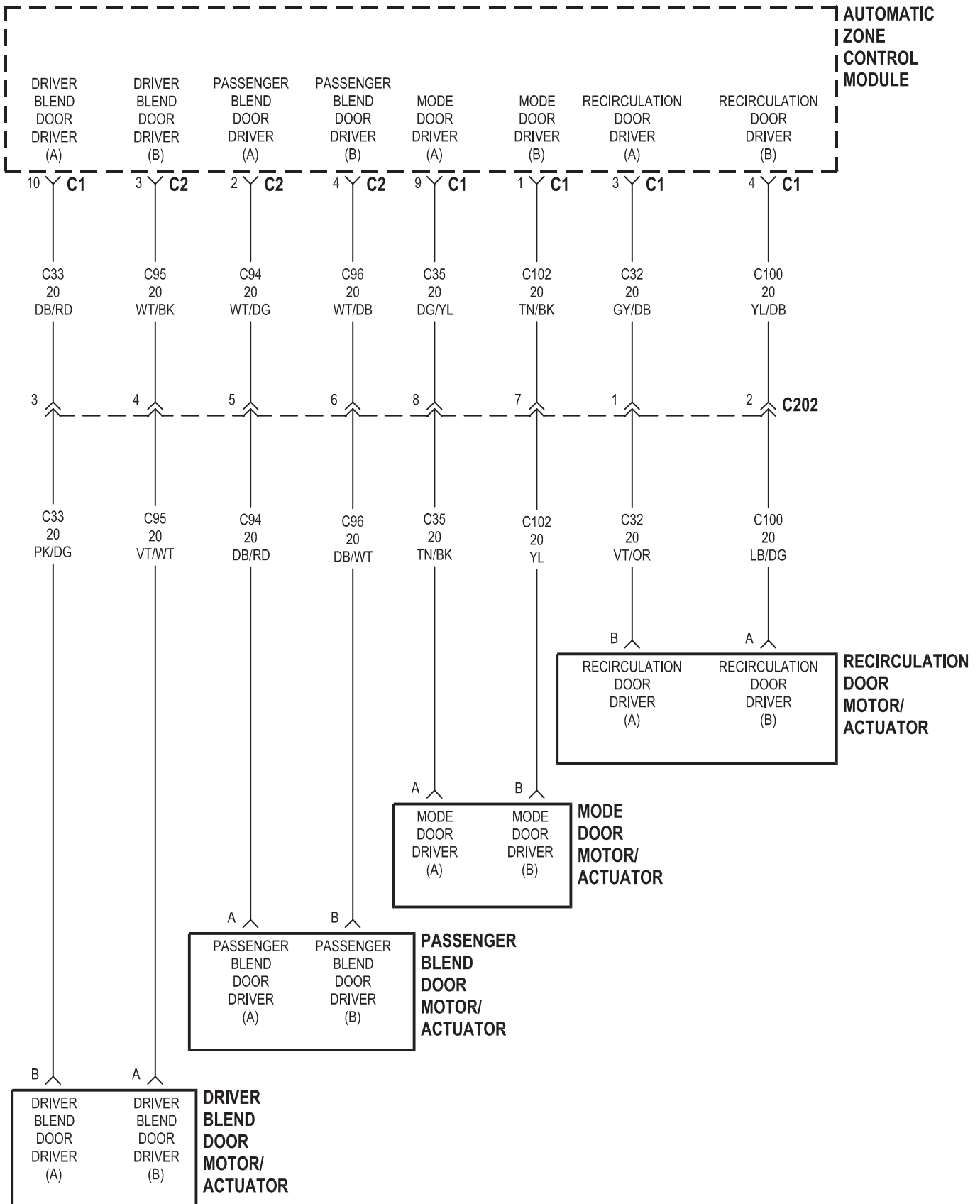




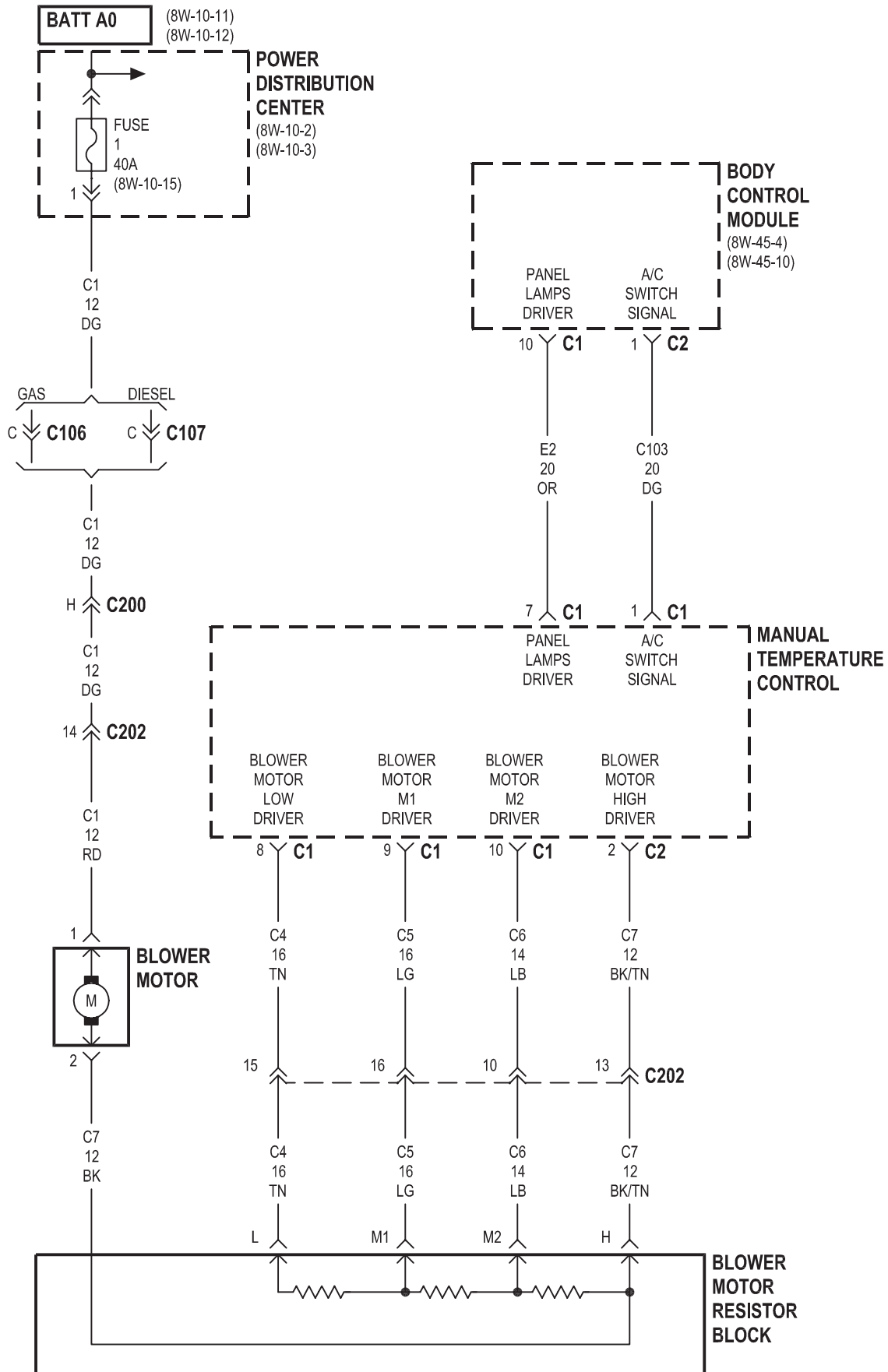


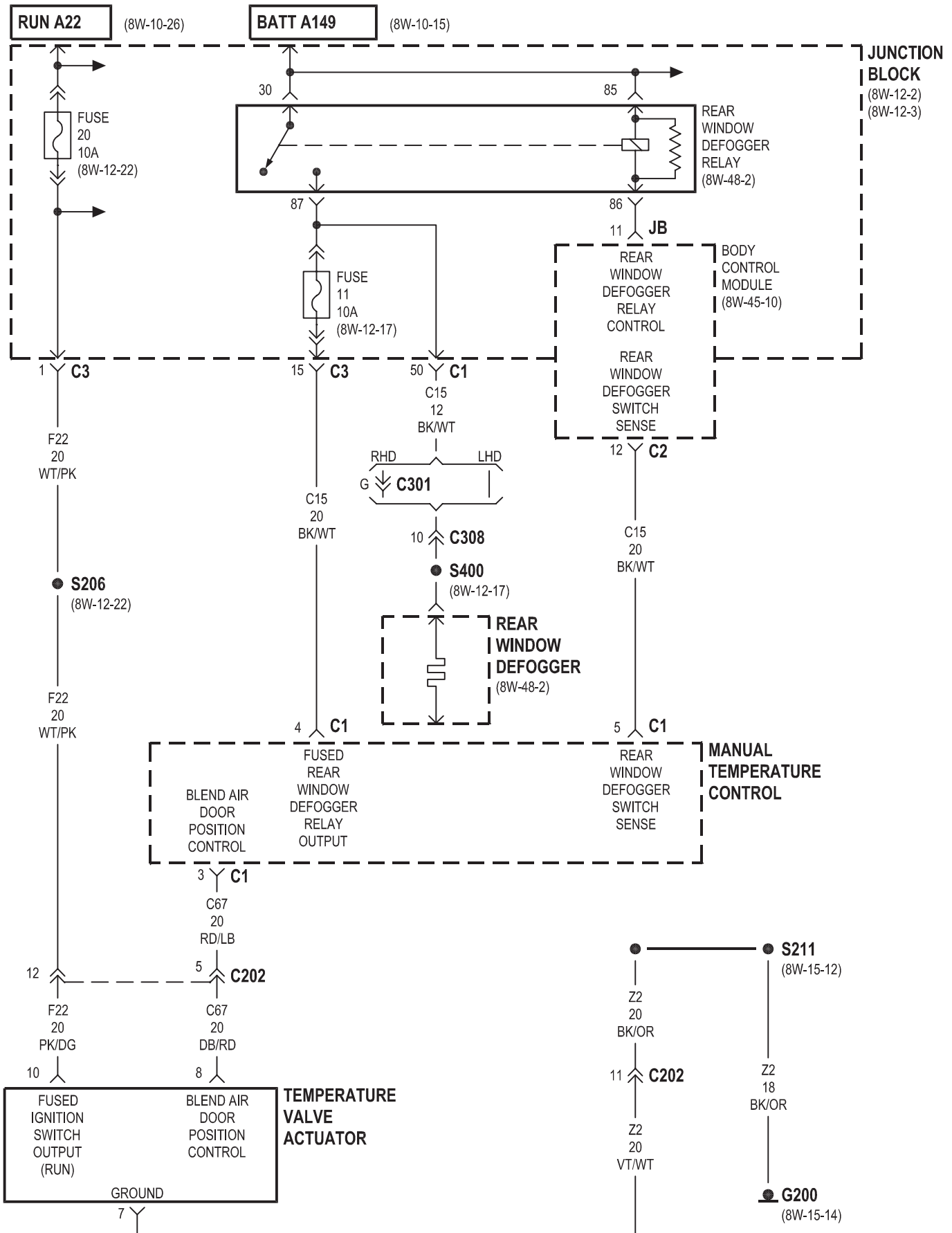
AZC

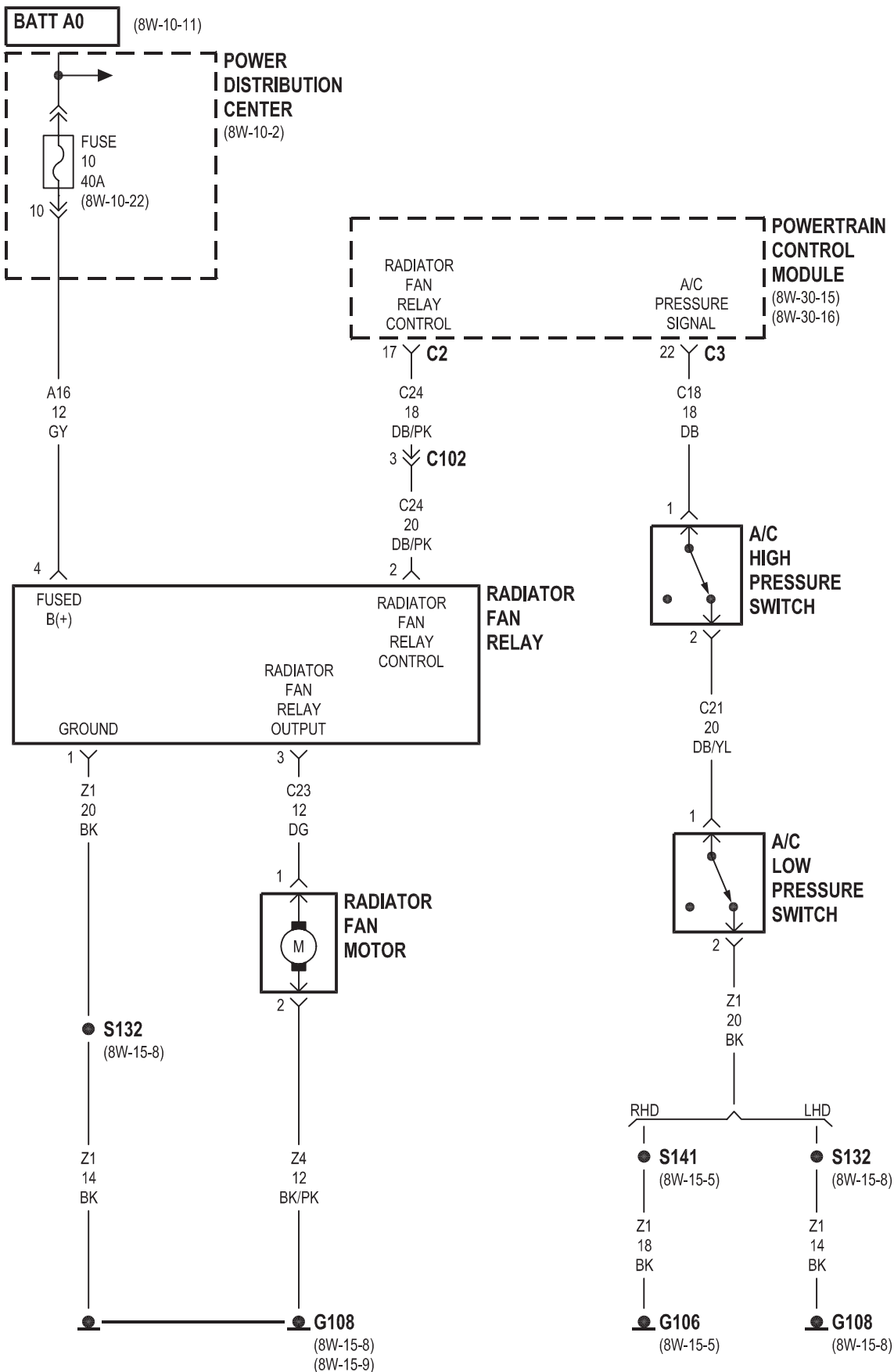


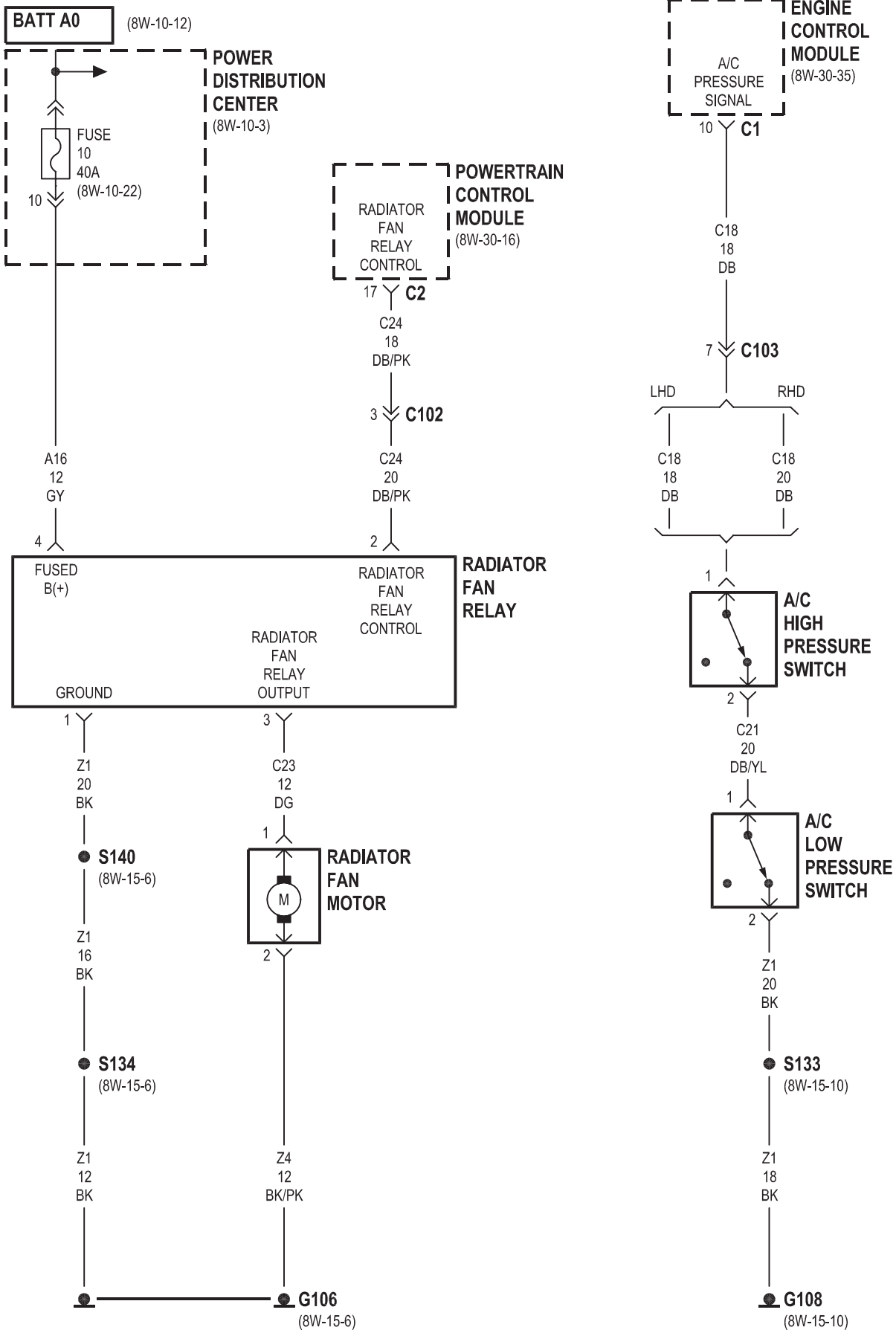


MTC



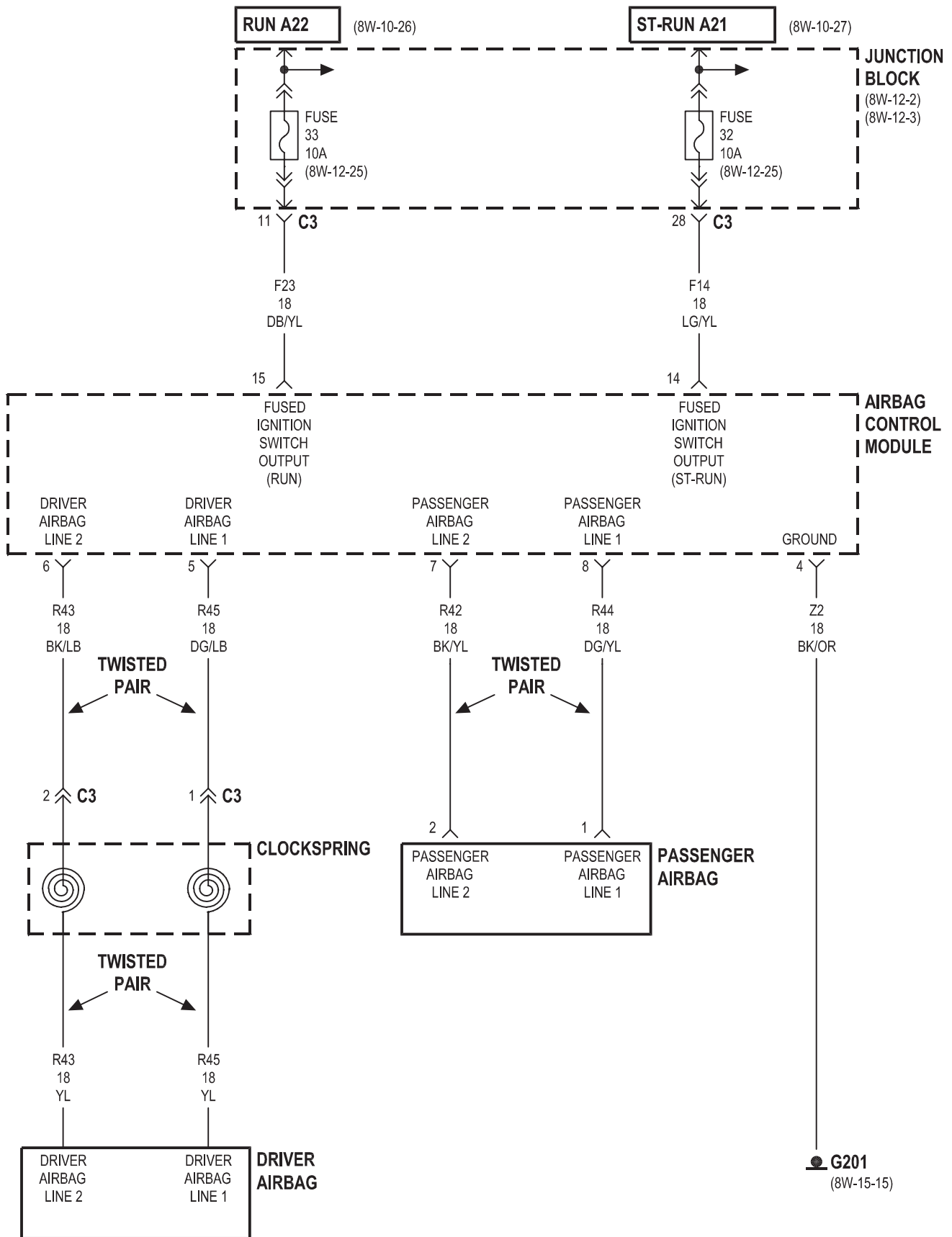


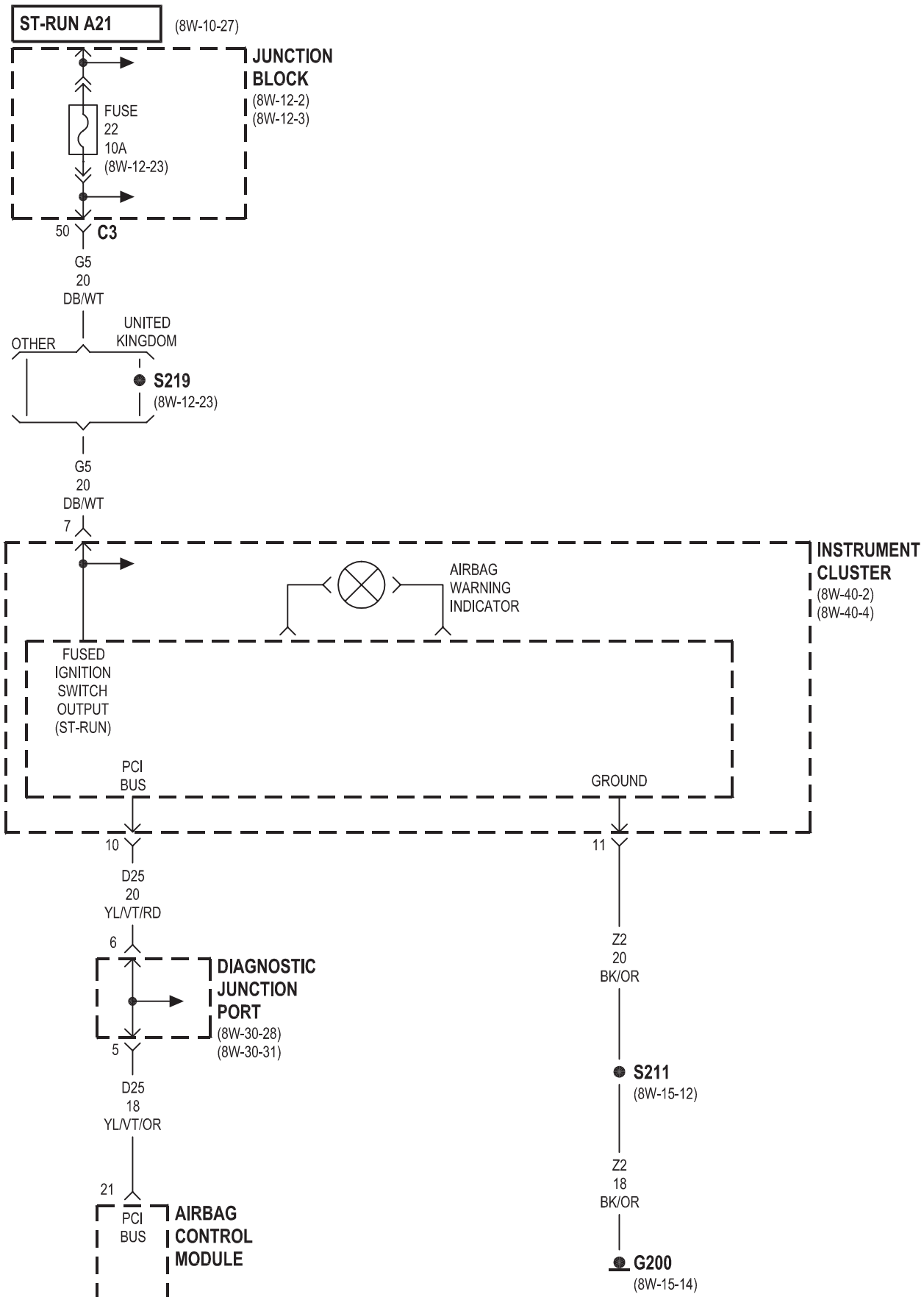




8W-43 AIRBAG SYSTEM

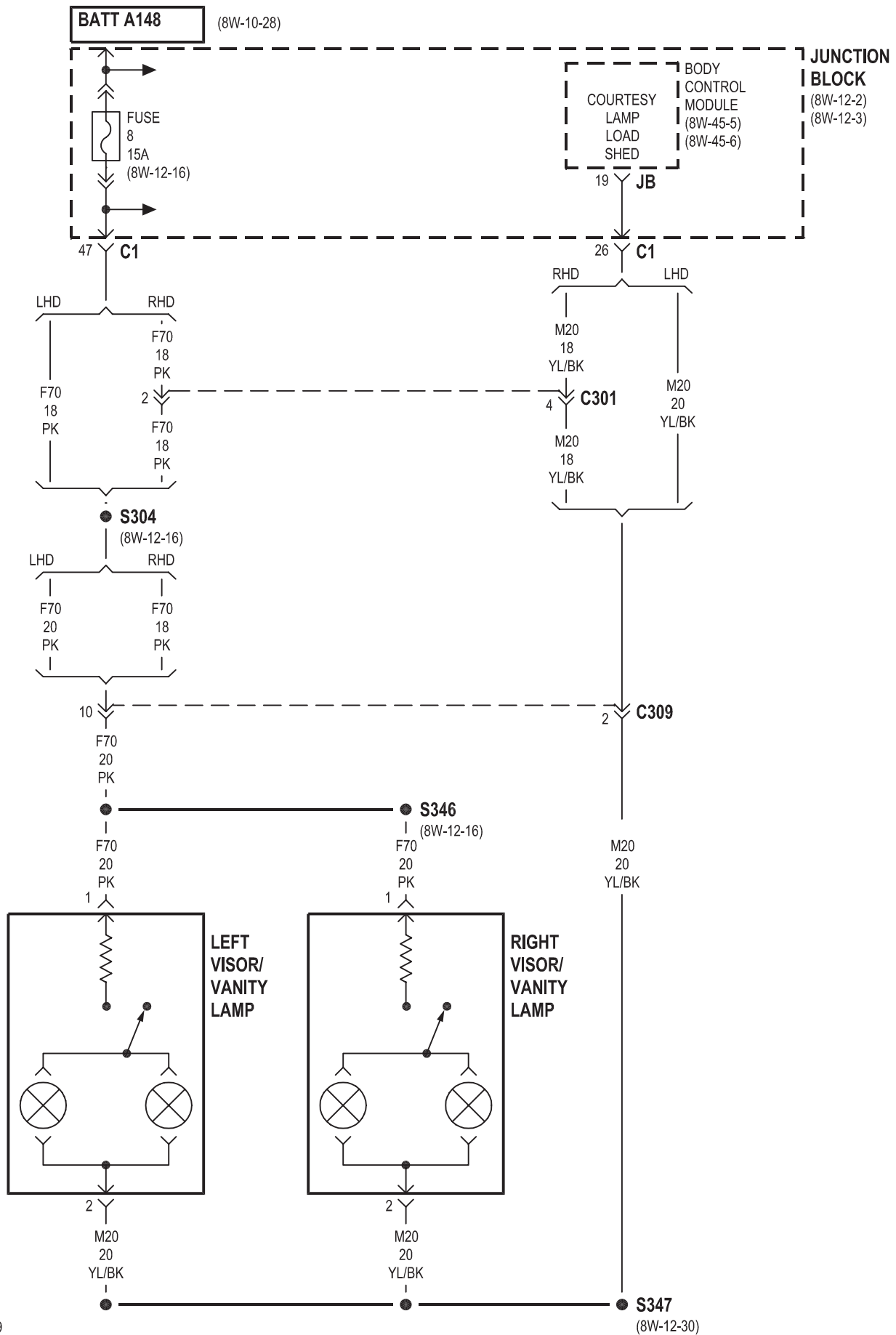
Component	Page
Airbag Control Module	8W-43-2, 3
Airbag Warning Indicator	8W-43-3
Clockspring	8W-43-2
Diagnostic Junction Port	8W-43-3
Driver Airbag	8W-43-2
Fuse 22 (JB)	8W-43-3
Fuse 32 (JB)	8W-43-2
Fuse 33 (JB)	8W-43-2
G200	8W-43-3
G201	8W-43-2
Instrument Cluster	8W-43-3
Junction Block	8W-43-2, 3
Passenger Airbag	8W-43-2

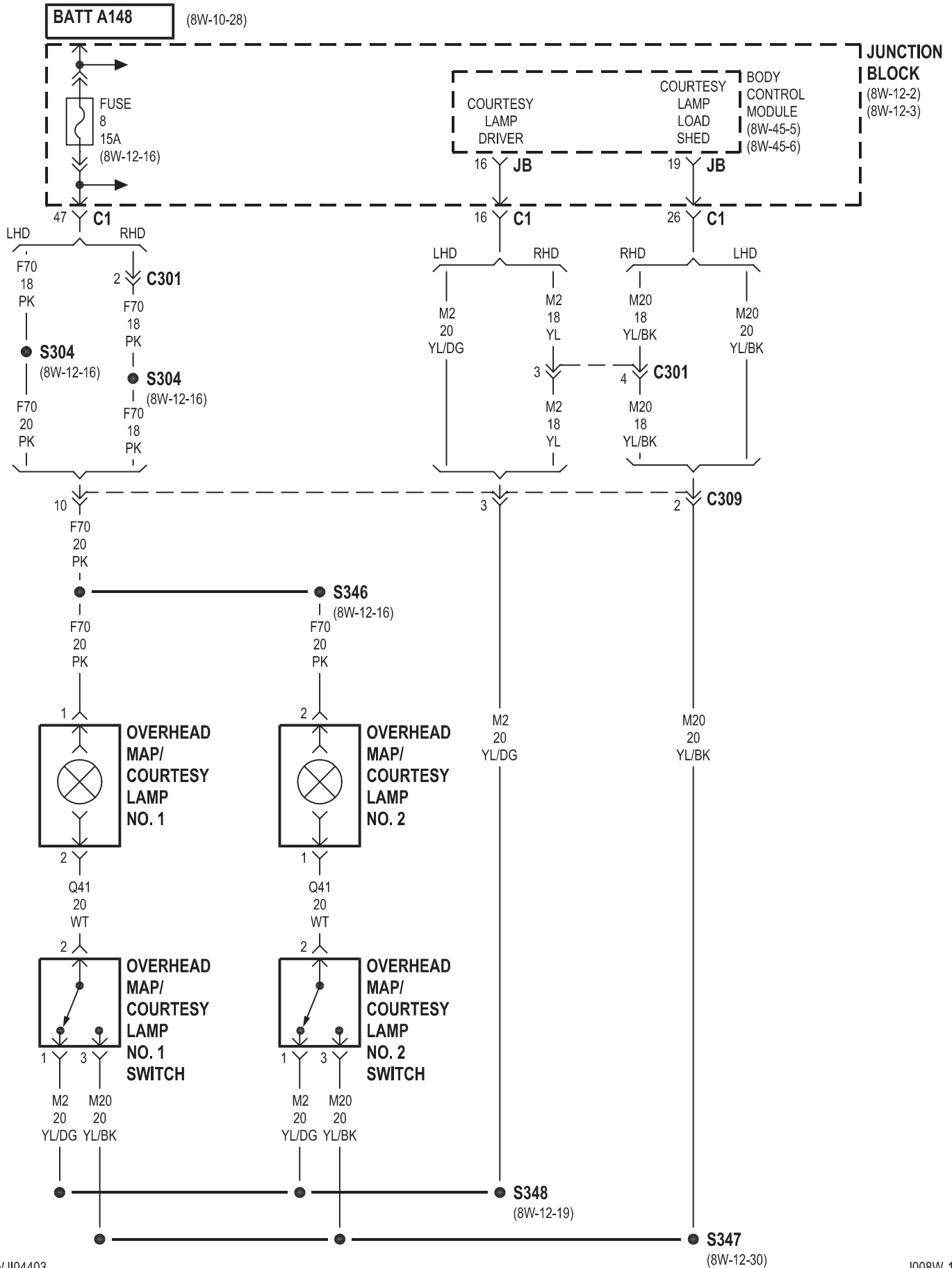


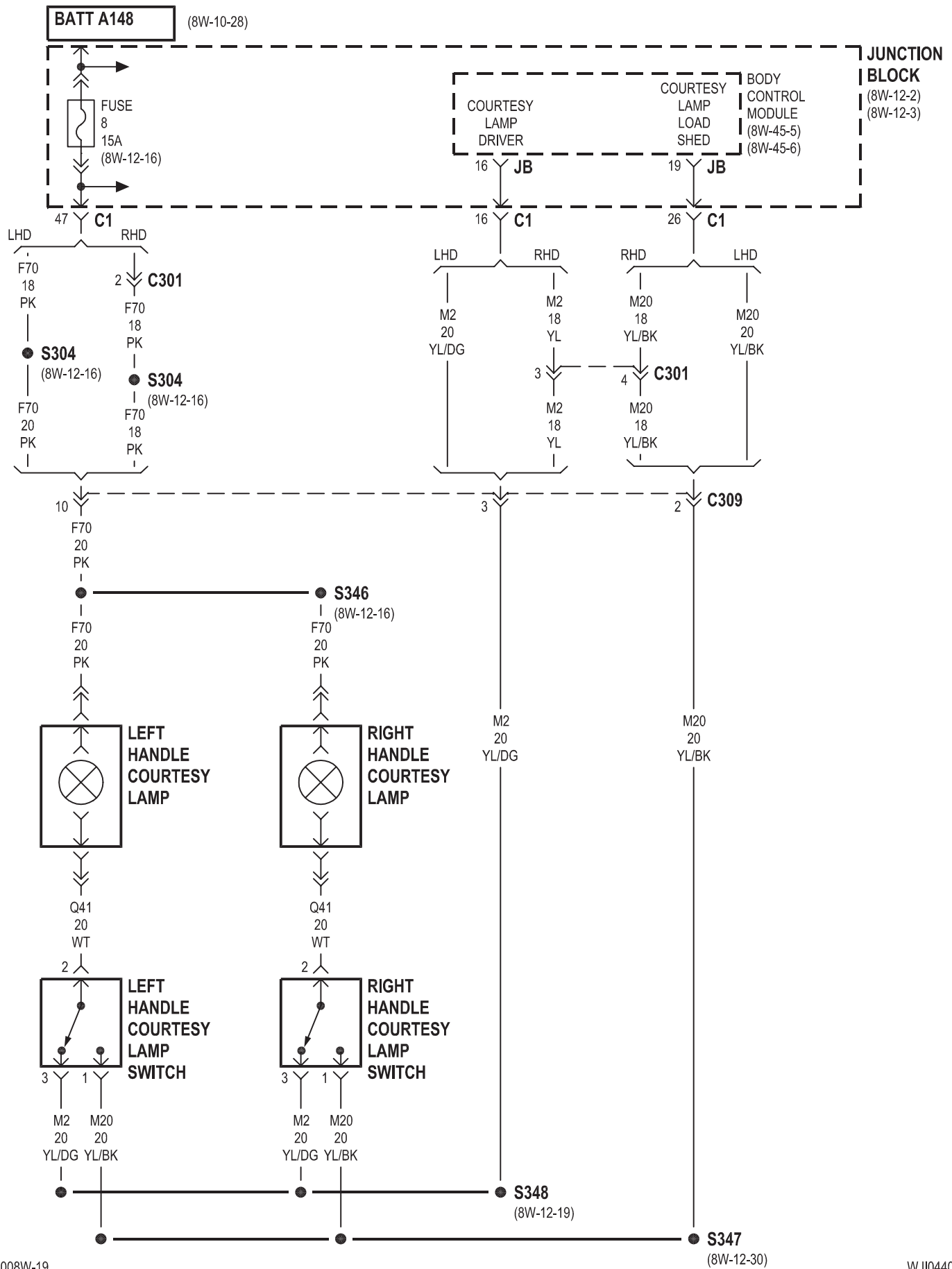


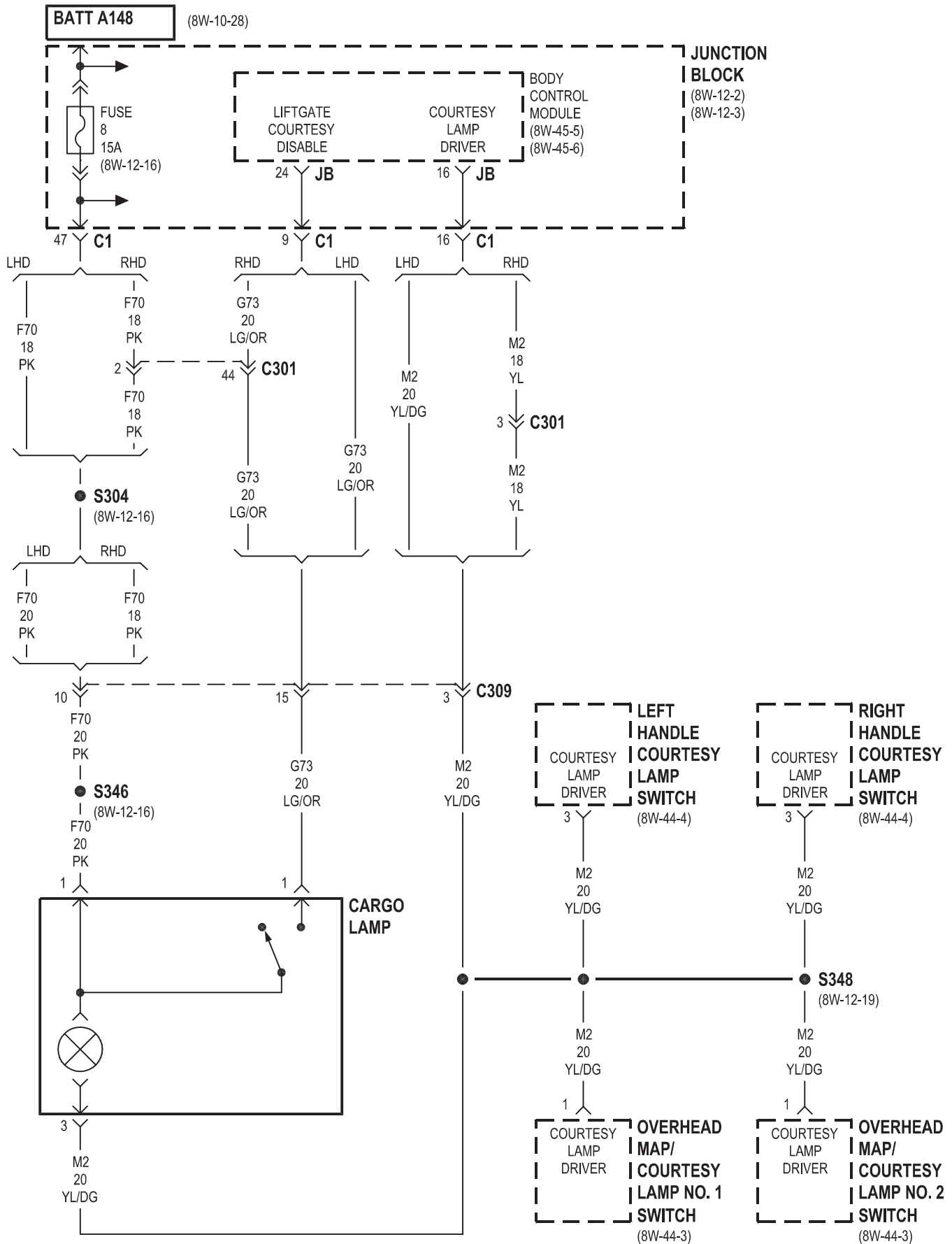
8W-44 INTERIOR LIGHTING

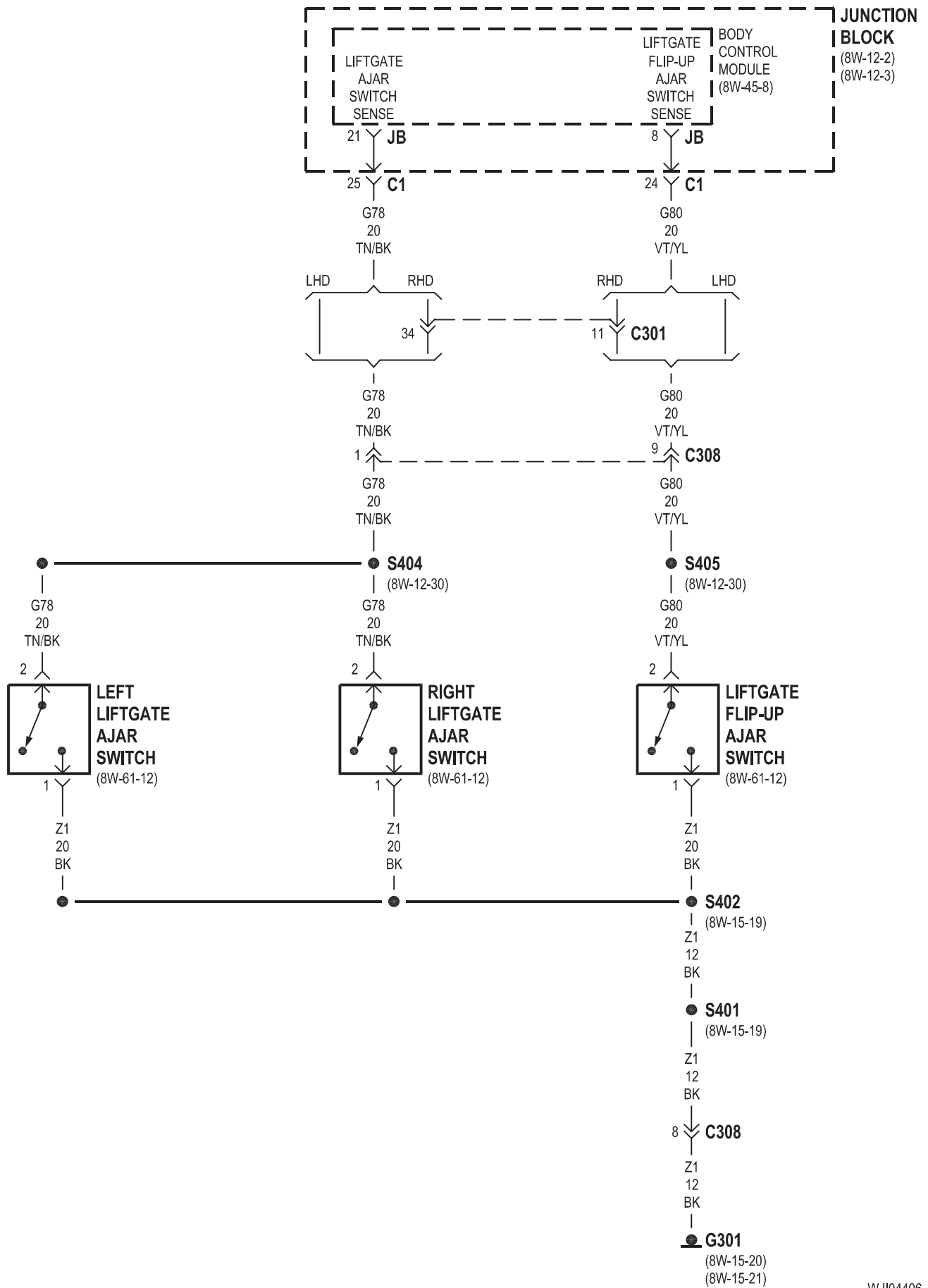
Component	Page	Component	Page
Ash Receiver Lamp	8W-44-11	Left Visor/Vanity Lamp	8W-44-2
Automatic Zone Control Module	8W-44-11	Liftgate Flip-Up Ajar Switch	8W-44-6
Body Control Module	8W-44-2, 3, 4, 5, 6, 7, 9, 11	Manual Temperature Control	8W-44-11
Cargo Lamp	8W-44-5	Overhead Map/Courtesy Lamp No. 1	8W-44-3
Driver Door Courtesy Lamp	8W-44-10	Overhead Map/Courtesy Lamp No. 1 Switch	8W-44-3, 5
Driver Door Lock Motor/Ajar Switch	8W-44-8	Overhead Map/Courtesy Lamp No. 2	8W-44-3
Driver Door Module	8W-44-8, 10	Overhead Map/Courtesy Lamp No. 2 Switch	8W-44-3, 5
Driver Heated Seat Switch	8W-44-11	Passenger Door Courtesy Lamp	8W-44-10
Fuse 7 (JB)	8W-44-9	Passenger Door Lock Motor/Ajar Switch	8W-44-8
Fuse 8 (JB)	8W-44-2, 3, 4, 5, 9	Passenger Door Module	8W-44-8, 10
G106	8W-44-9	Passenger Heated Seat Switch	8W-44-11
G200	8W-44-11	PRNDL/Transfer Case Illumination	8W-44-11
G300	8W-44-7, 8	Radio	8W-44-11
G301	8W-44-6, 7, 8	Right Courtesy Lamp	8W-44-9
Glove Box Lamp	8W-44-9	Right Handle Courtesy Lamp	8W-44-4
Junction Block	8W-44-2, 3, 4, 5, 6, 7, 9	Right Handle Courtesy Lamp Switch	8W-44-4, 5
Left Courtesy Lamp	8W-44-9	Right Liftgate Ajar Switch	8W-44-6
Left Handle Courtesy Lamp	8W-44-4	Right Rear Door Lock Motor/Ajar Switch	8W-44-7
Left Handle Courtesy Lamp Switch	8W-44-4, 5	Right Visor/Vanity Lamp	8W-44-2
Left Liftgate Ajar Switch	8W-44-6	Underhood Lamp	8W-44-9
Left Multi- Function Switch	8W-44-11		
Left Rear Door Lock Motor/Ajar Switch	8W-44-7		

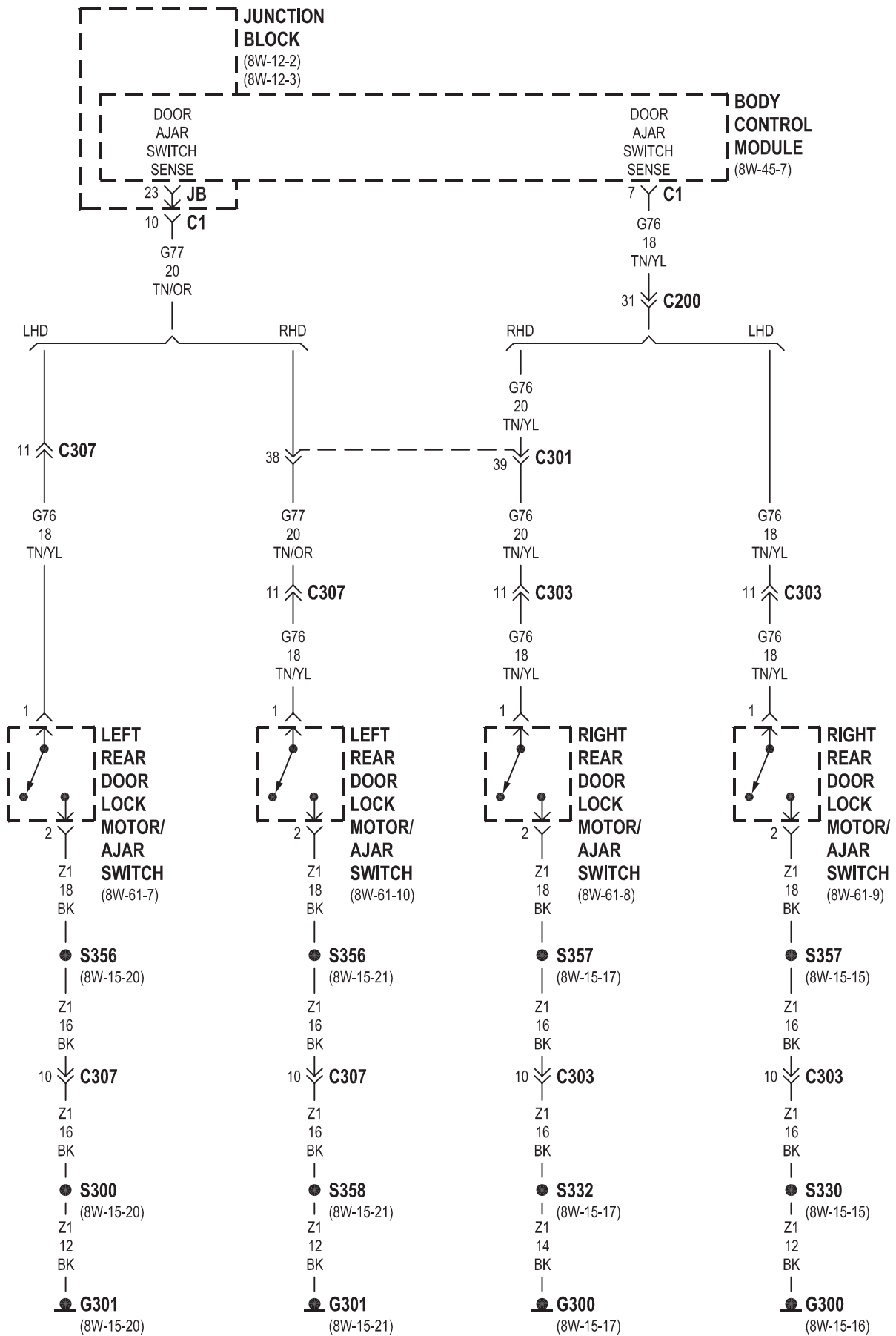


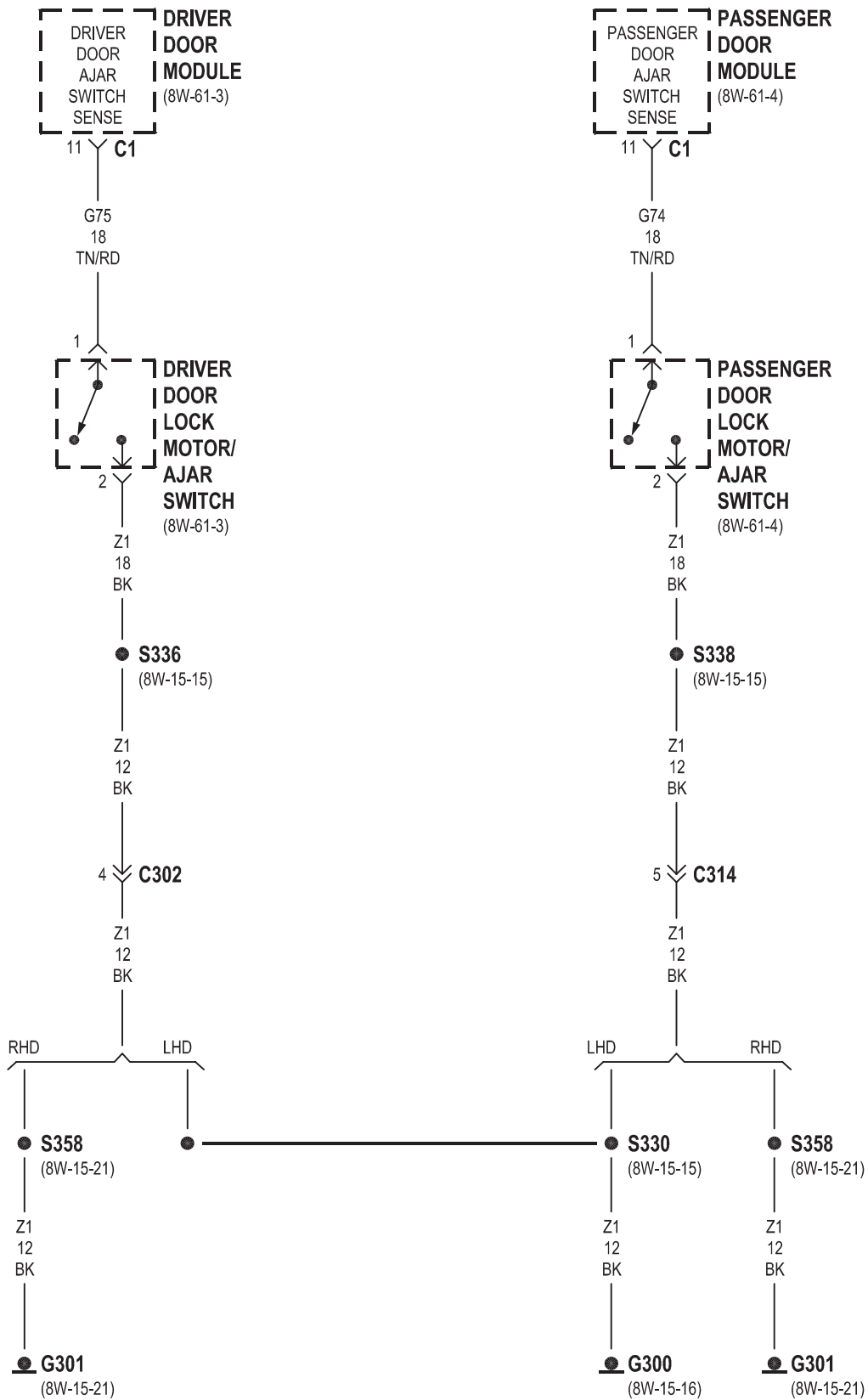


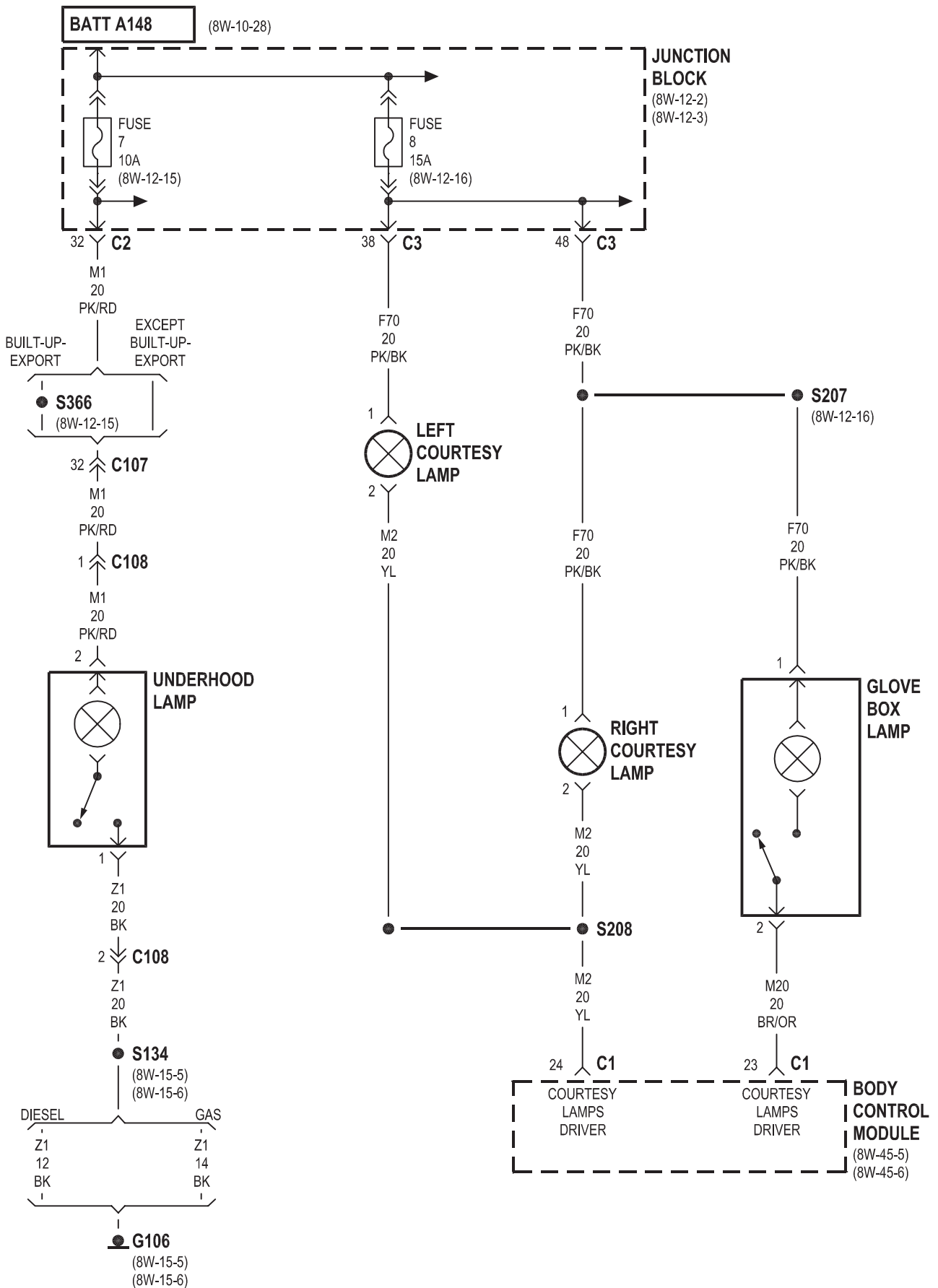


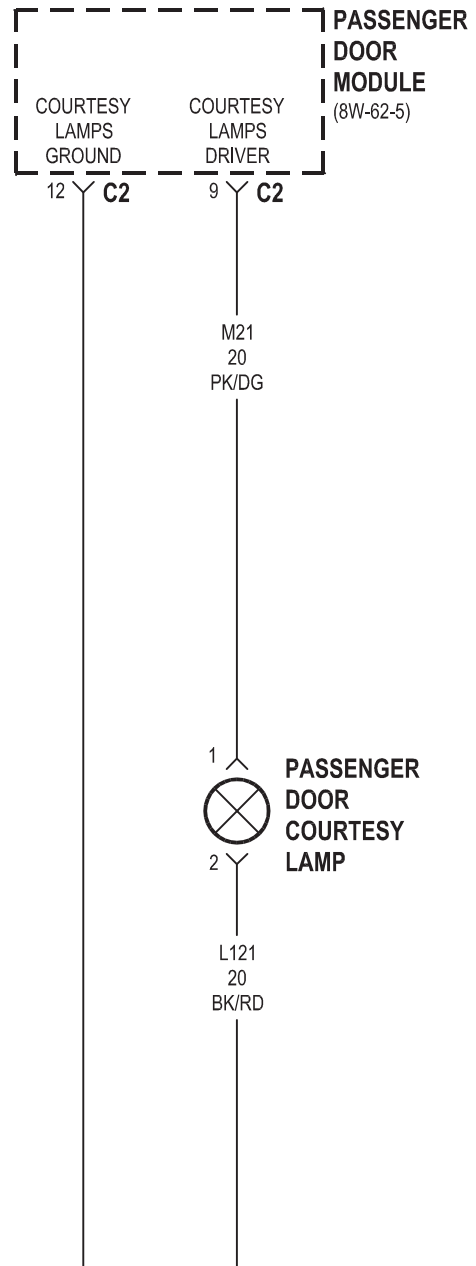
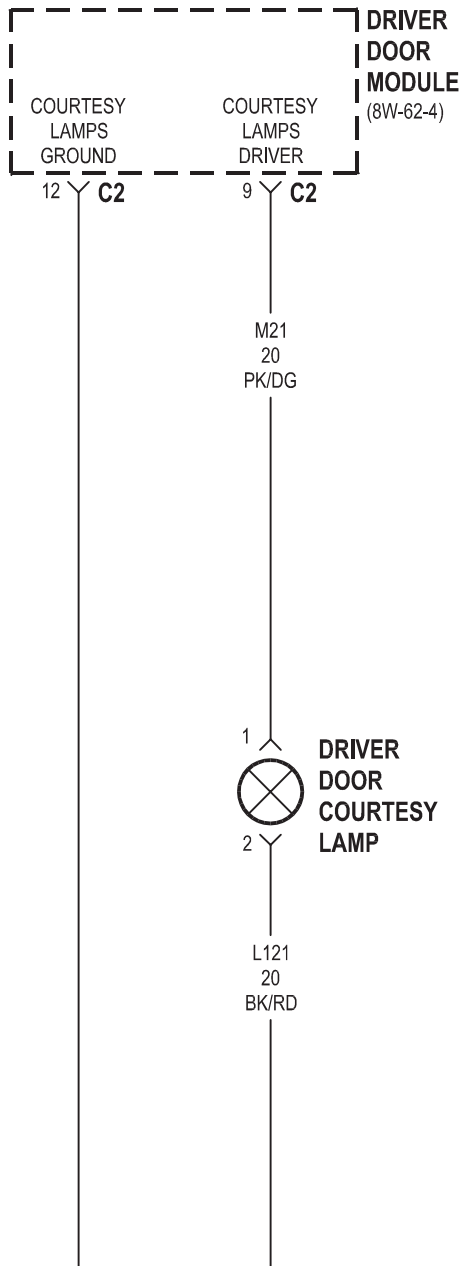


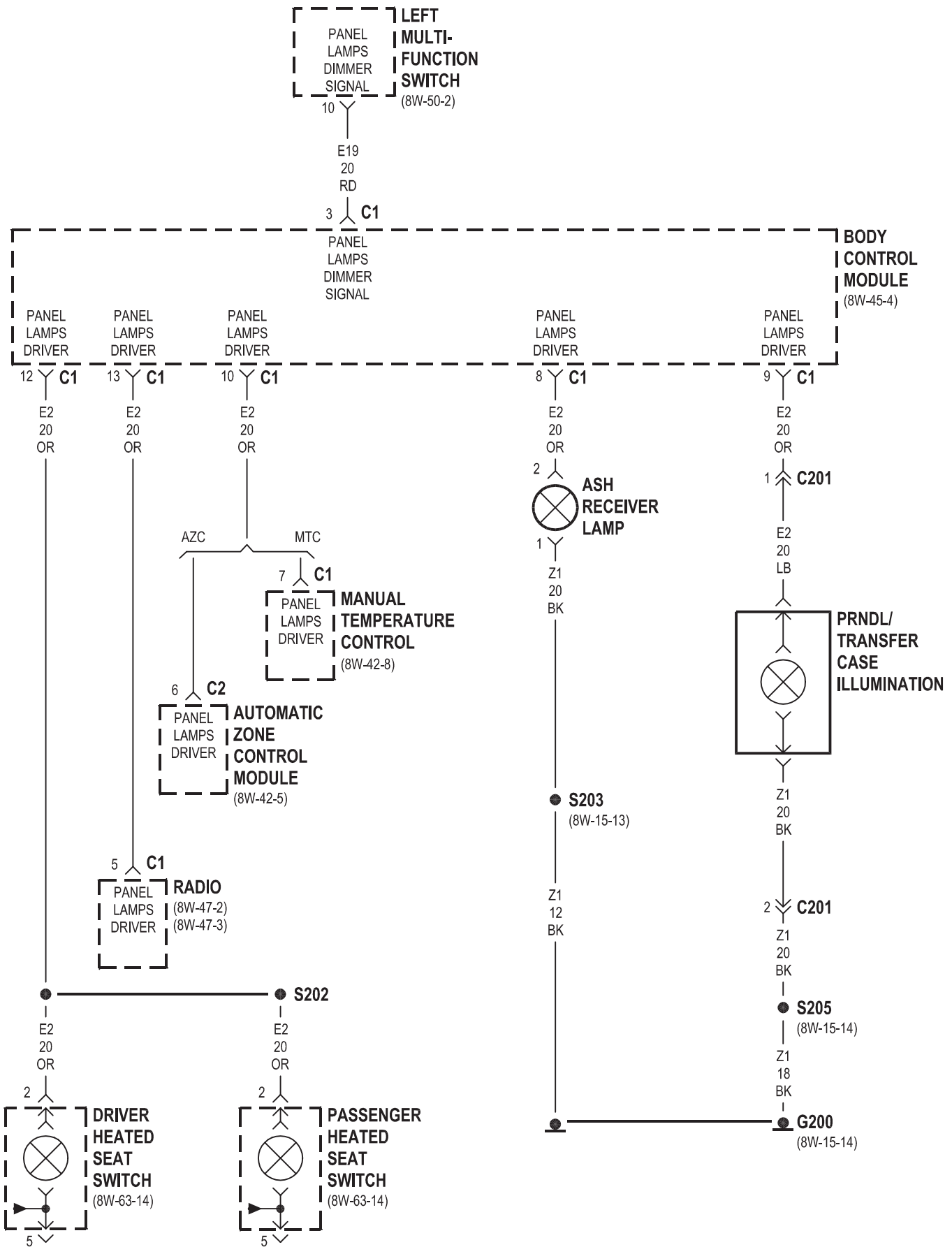






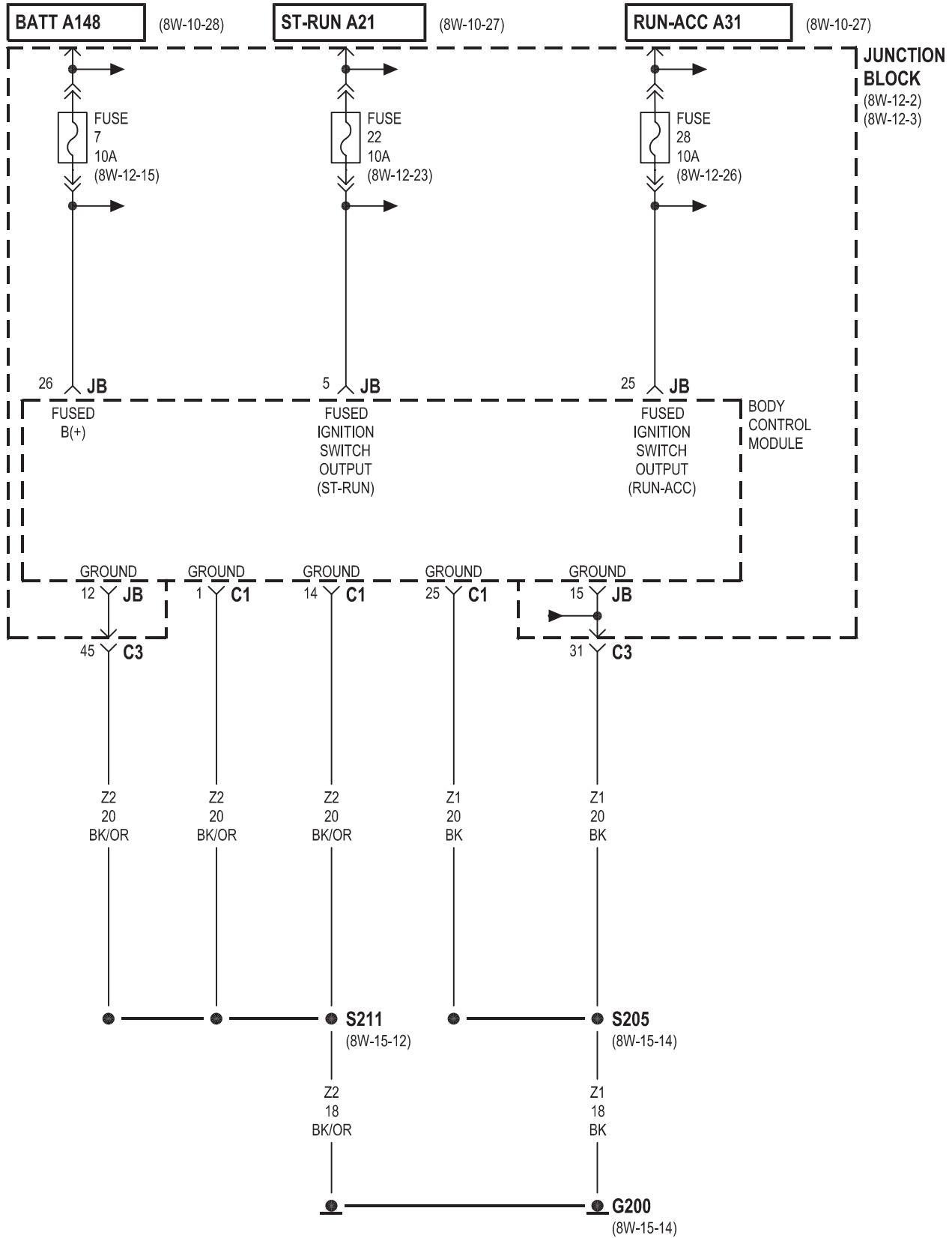


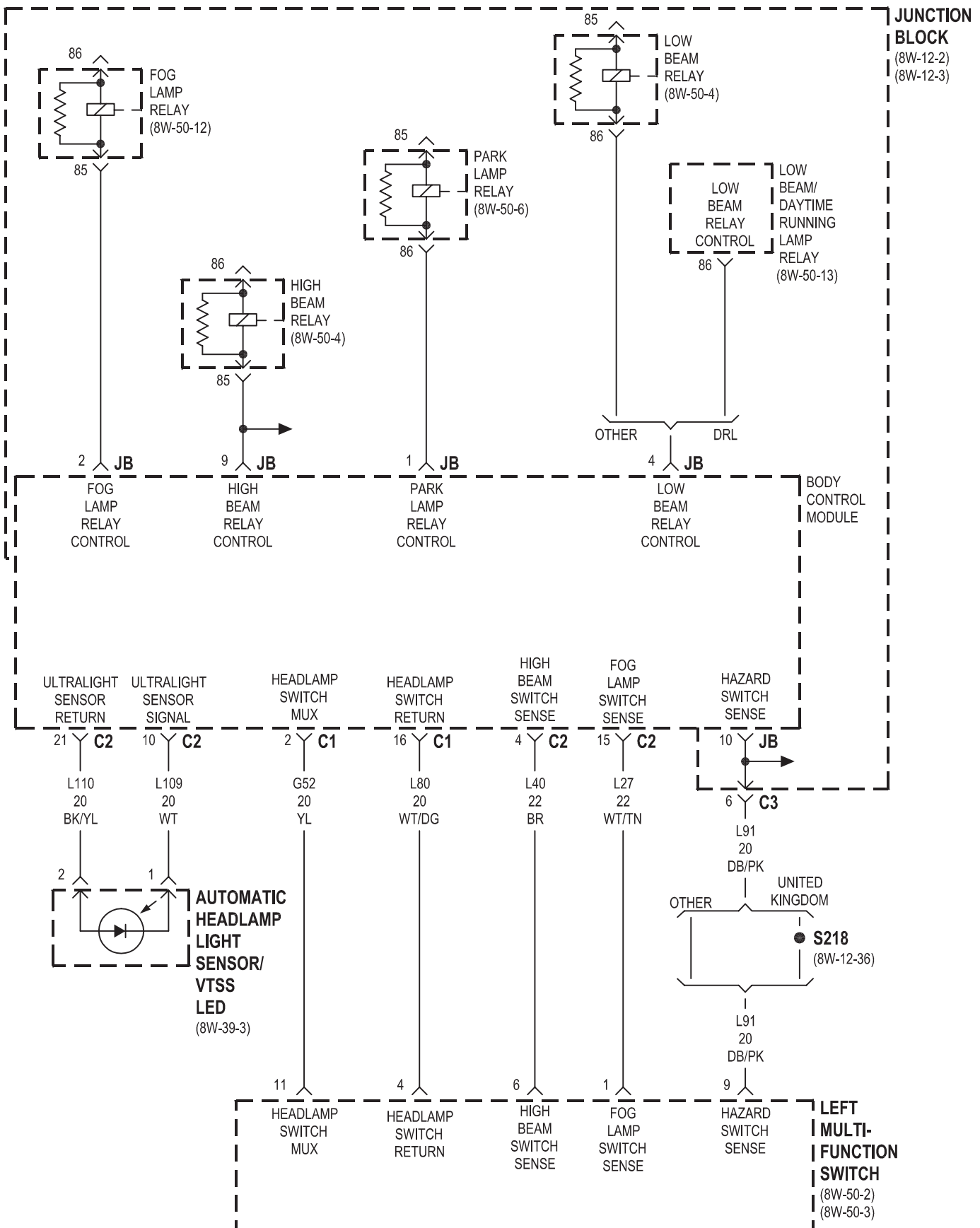


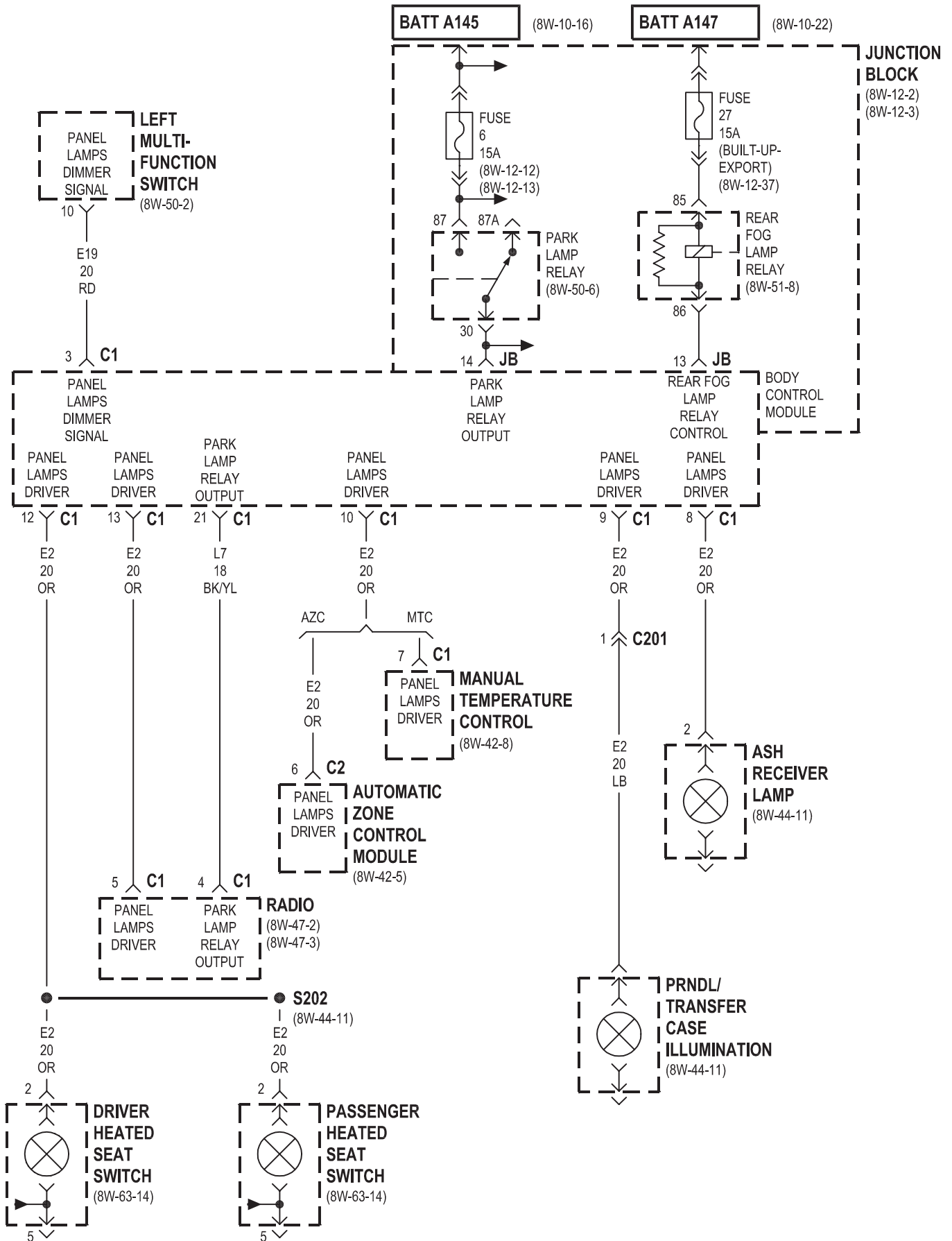


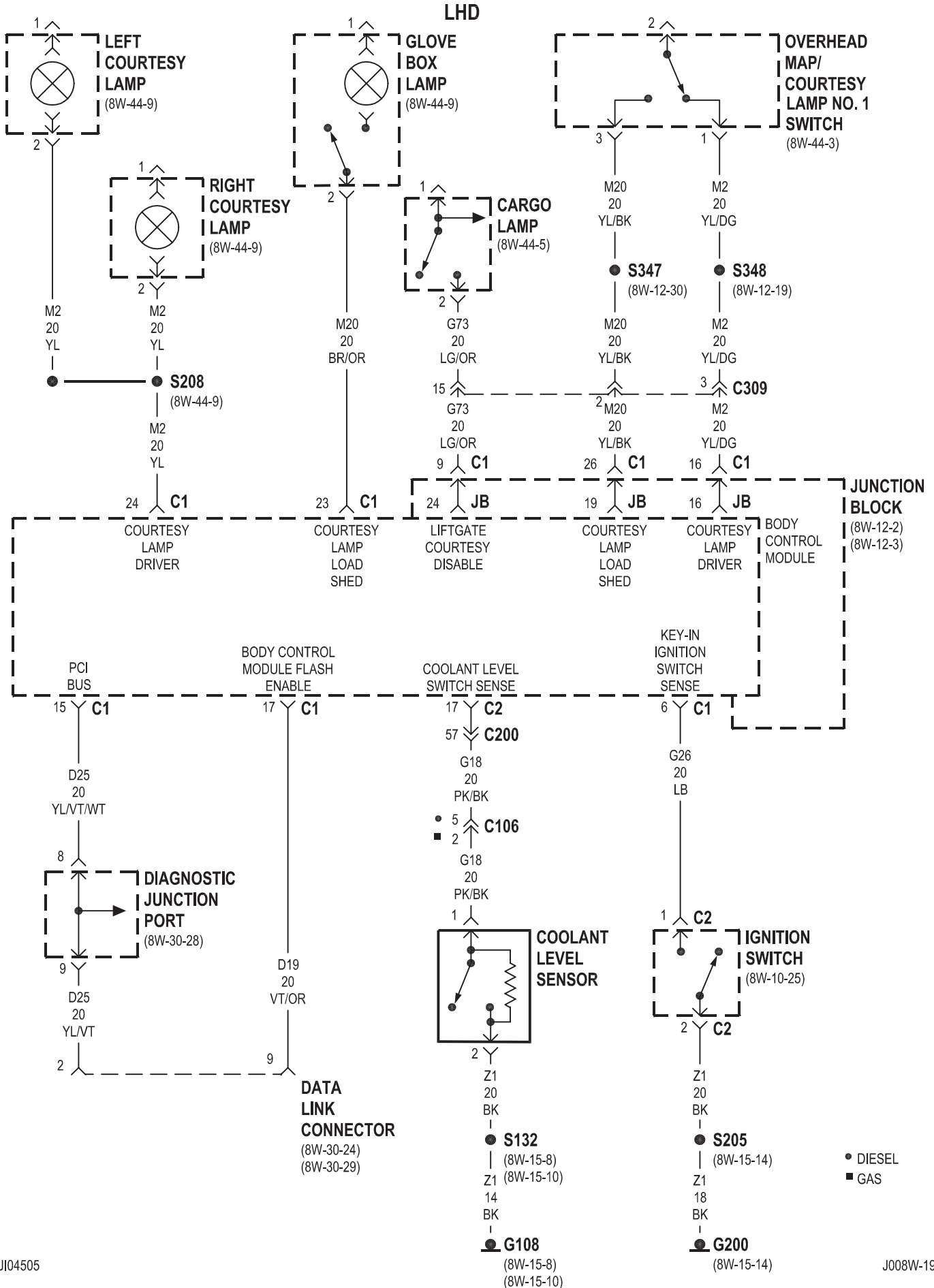
8W-45 BODY CONTROL MODULE

Component	Page	Component	Page
Ambient Temperature Sensor	8W-45-7	Left Courtesy Lamp	8W-45-5, 6
Ash Receiver Lamp	8W-45-4	Left Liftgate Ajar Switch	8W-45-8
Automatic Headlamp Light		Left Multi- Function Switch	8W-45-3, 4
Sensor/VTSS LED	8W-45-3, 7	Left Rear Door Lock Motor/Ajar Switch . . .	8W-45-7
Automatic Zone Control Module	8W-45-4, 10	Left Remote Radio Switch	8W-45-9
Body Control Module	8W-45-2, 3, 4, 5, 6, 7, 8, 9, 10, 11	Liftgate Flip-Up Ajar Switch	8W-45-8
Cargo Lamp	8W-45-5, 6	Low Beam Relay	8W-45-3
Chime	8W-45-7	Low Beam/Daytime Running Lamp Relay .	8W-45-3
Clockspring	8W-45-9	Manual Temperature Control	8W-45-4, 10
Coolant Level Sensor	8W-45-5, 6	Overhead Map/Courtesy Lamp	
Data Link Connector	8W-45-5, 6	No. 1 Switch	8W-45-5, 6
Diagnostic Junction Port	8W-45-5, 6	Park Lamp Relay	8W-45-3, 4
Driver Heated Seat Switch	8W-45-4, 10	Passenger Heated Seat Switch	8W-45-4, 10
Fog Lamp Relay	8W-45-3	PRNDL/Transfer Case Illumination	8W-45-4
Fuse 6 (JB)	8W-45-4	Radio	8W-45-4
Fuse 7 (JB)	8W-45-2	Rear Fog Lamp Relay	8W-45-4
Fuse 22 (JB)	8W-45-2	Rear Window Defogger Relay	8W-45-9
Fuse 25 (JB)	8W-45-9	Rear Wiper Motor	8W-45-8
Fuse 27 (JB)	8W-45-4	Right Courtesy Lamp	8W-45-5, 6
Fuse 28 (JB)	8W-45-2	Right Liftgate Ajar Switch	8W-45-8
G106	8W-45-11	Right Multi- Function Switch	8W-45-8
G108	8W-45-5, 6	Right Rear Door Lock Motor/Ajar Switch . .	8W-45-7
G200	8W-45-2, 5, 6	Right Remote Radio Switch	8W-45-9
Glove Box Lamp	8W-45-5, 6	Seat Belt Switch	8W-45-7
High Beam Relay	8W-45-3	Sunroof Delay Relay	8W-45-9
Hood Ajar Switch	8W-45-11	United Kingdom Security System Module .	8W-45-7
Horn Relay	8W-45-7	Washer Fluid Level Switch	8W-45-8
Ignition Switch	8W-45-5, 6	Windshield Washer Pump	8W-45-8
Junction Block	8W-45-2, 3, 4, 5, 6, 7, 8, 9	Windshield Wiper Motor	8W-45-8
		Wiper On/Off Relay	8W-45-8

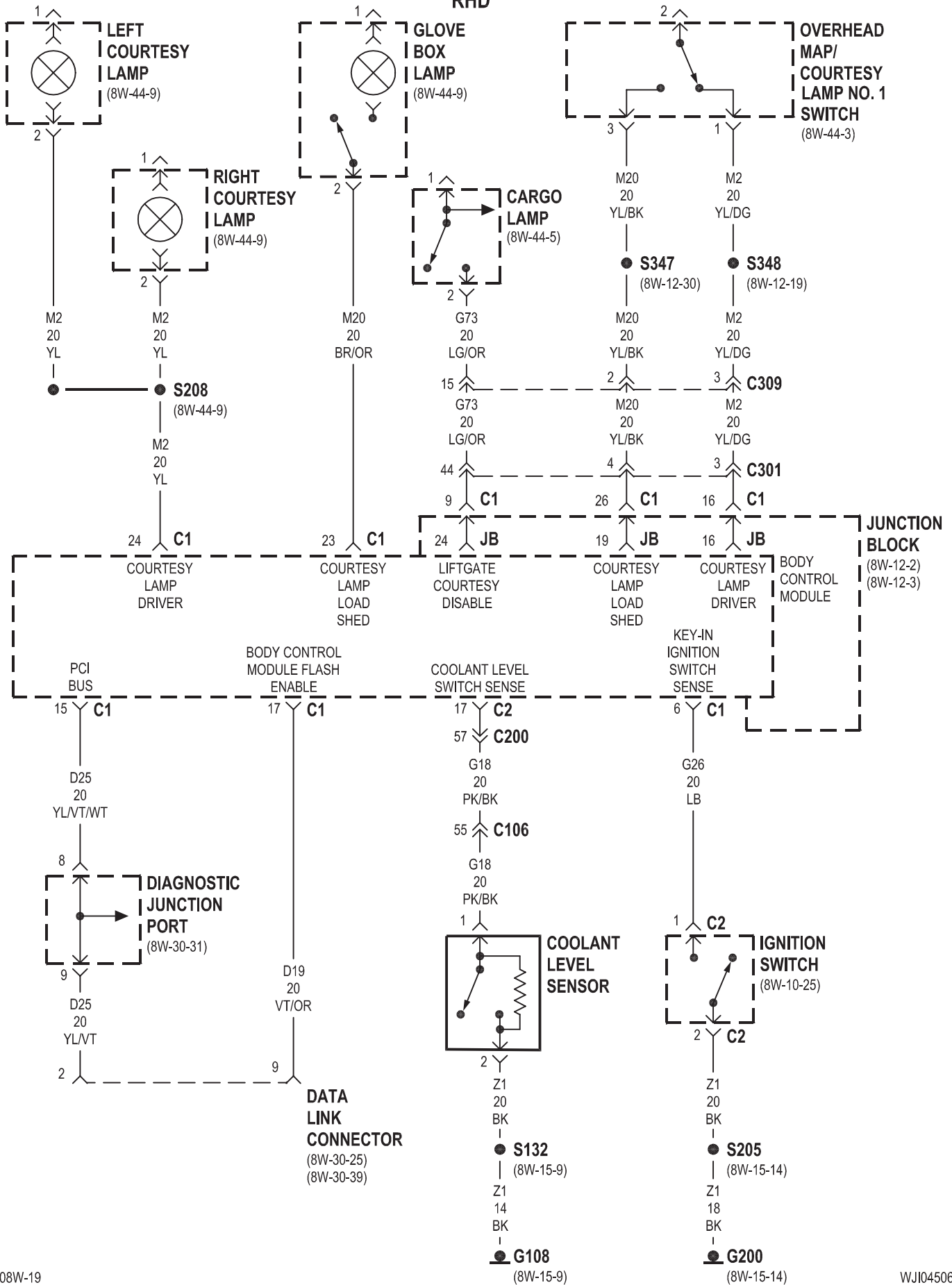


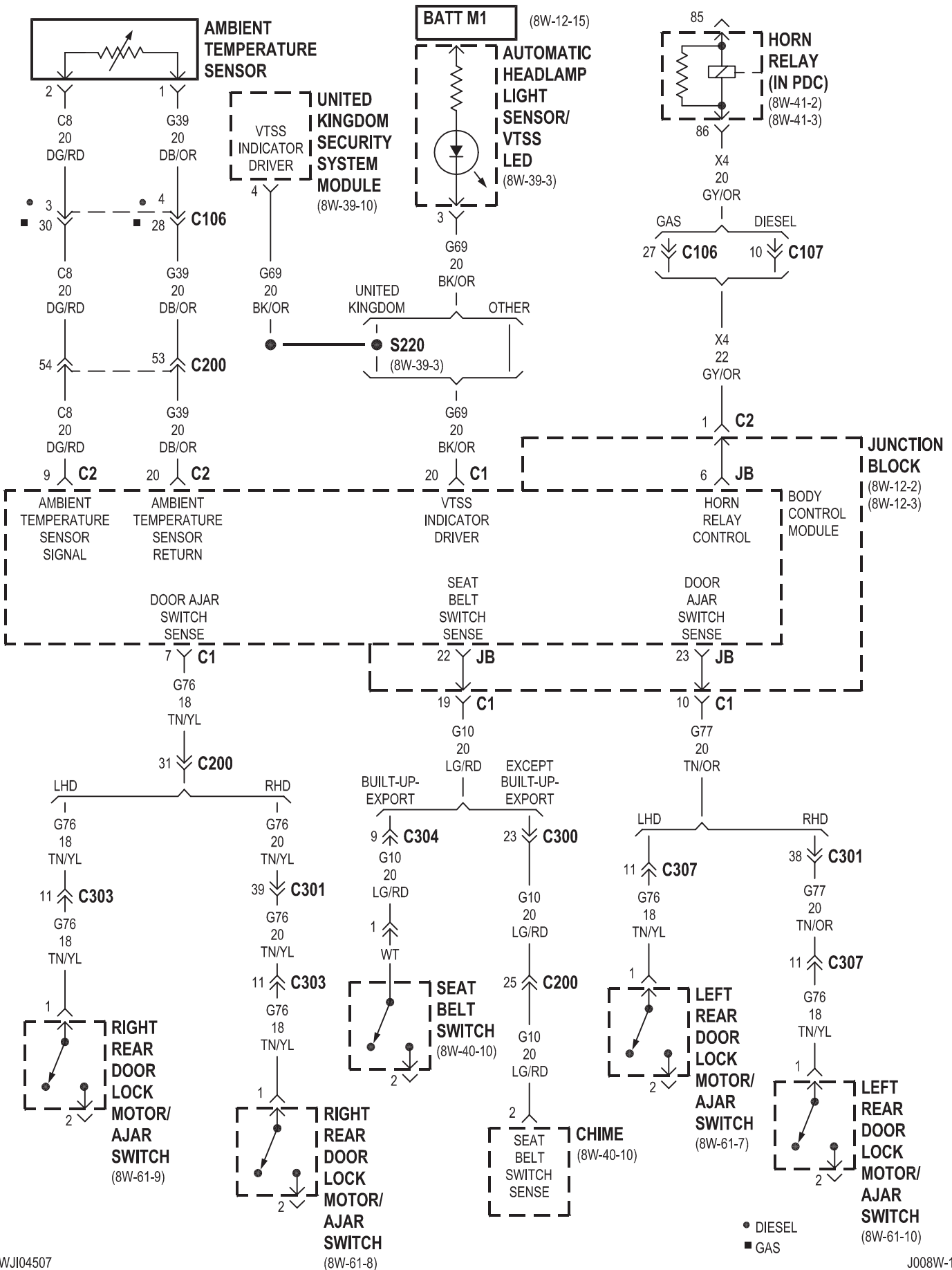


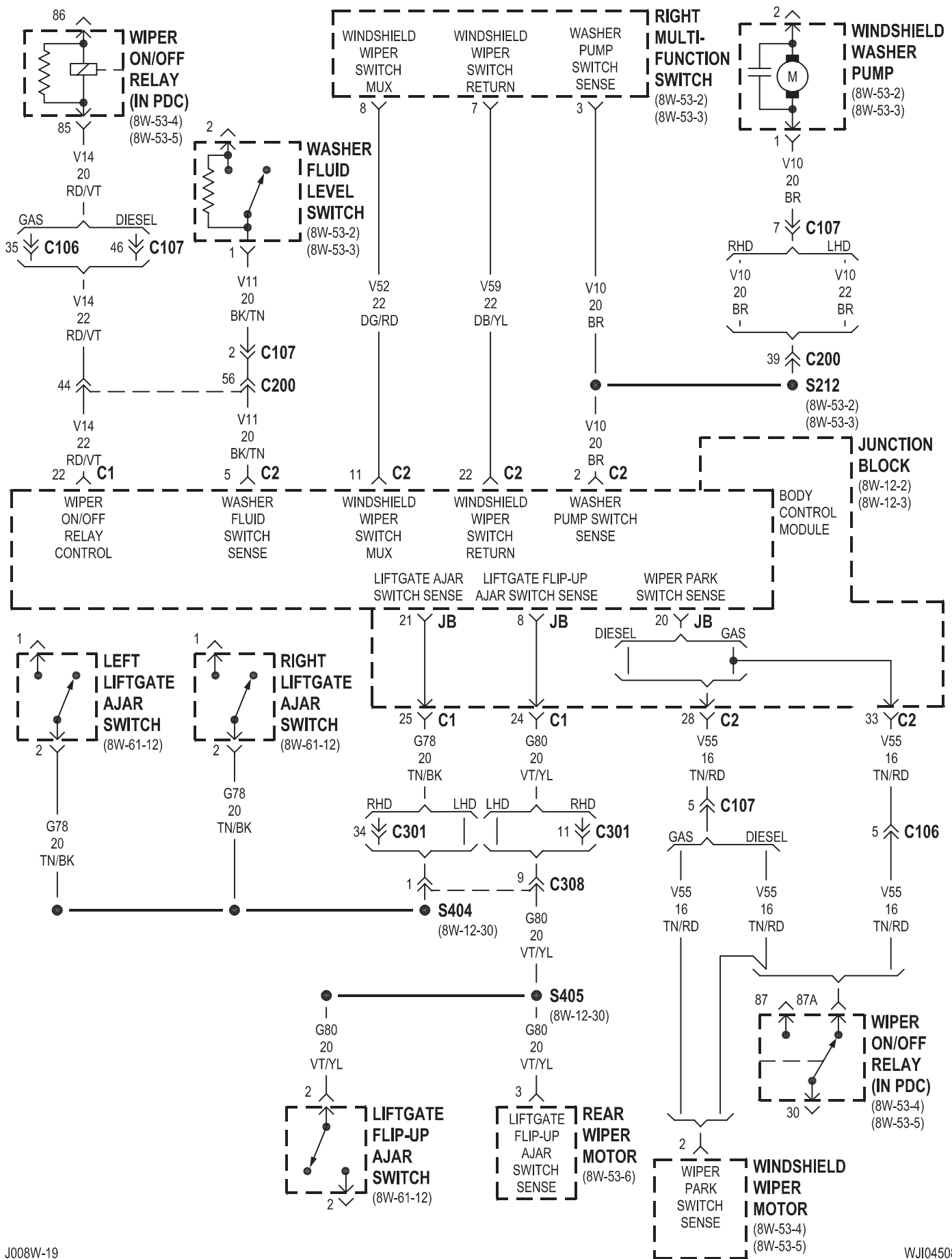


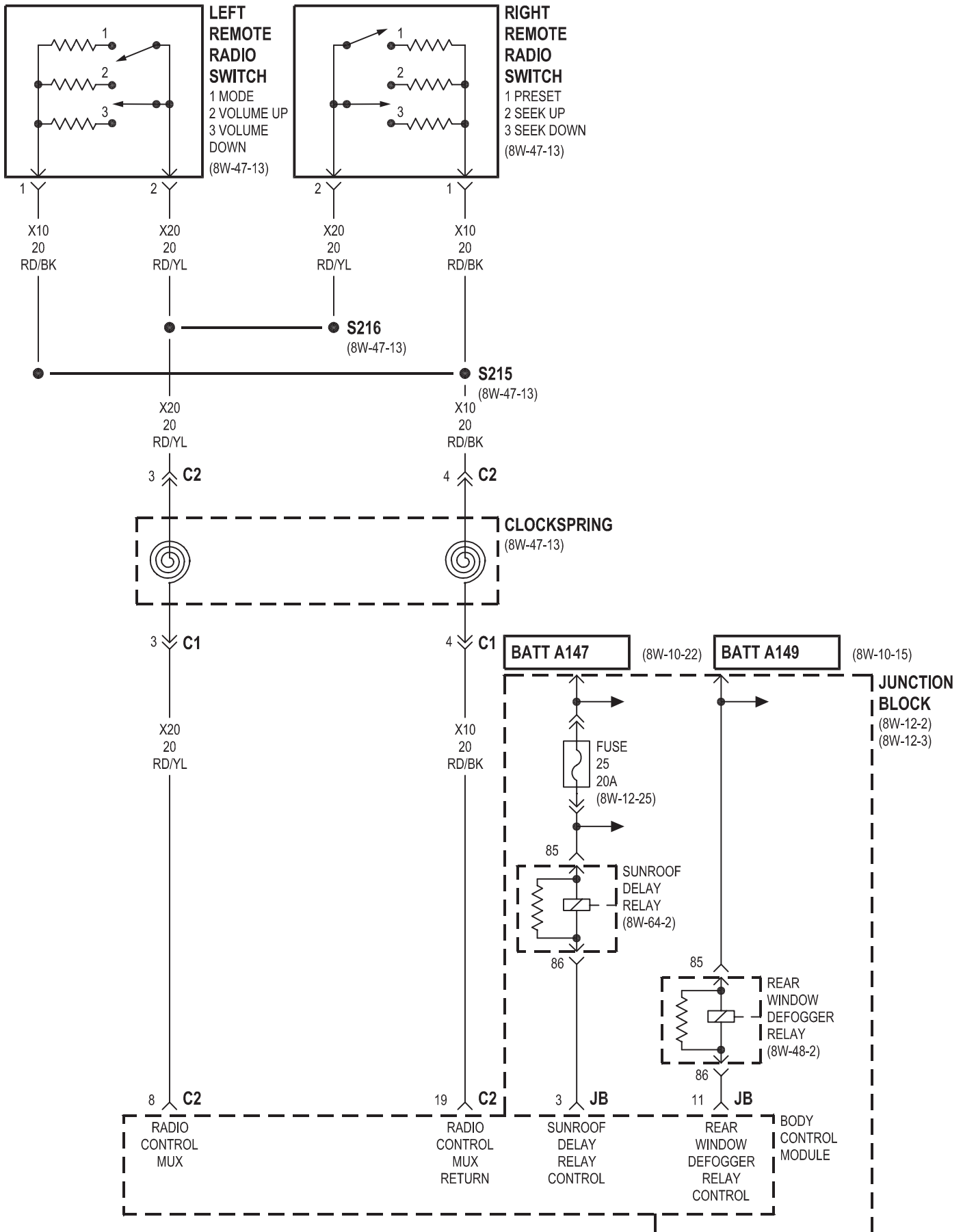


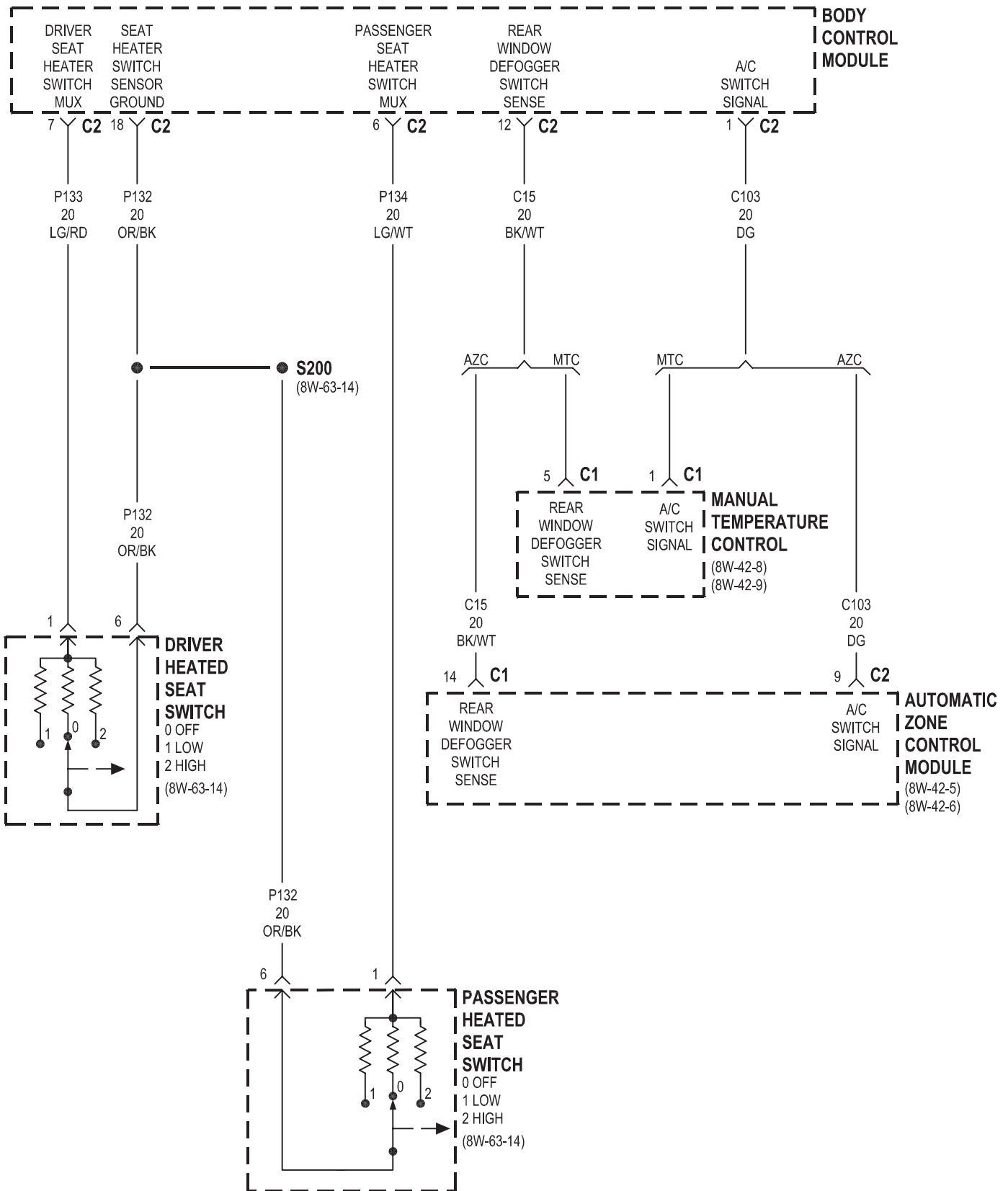
RHD

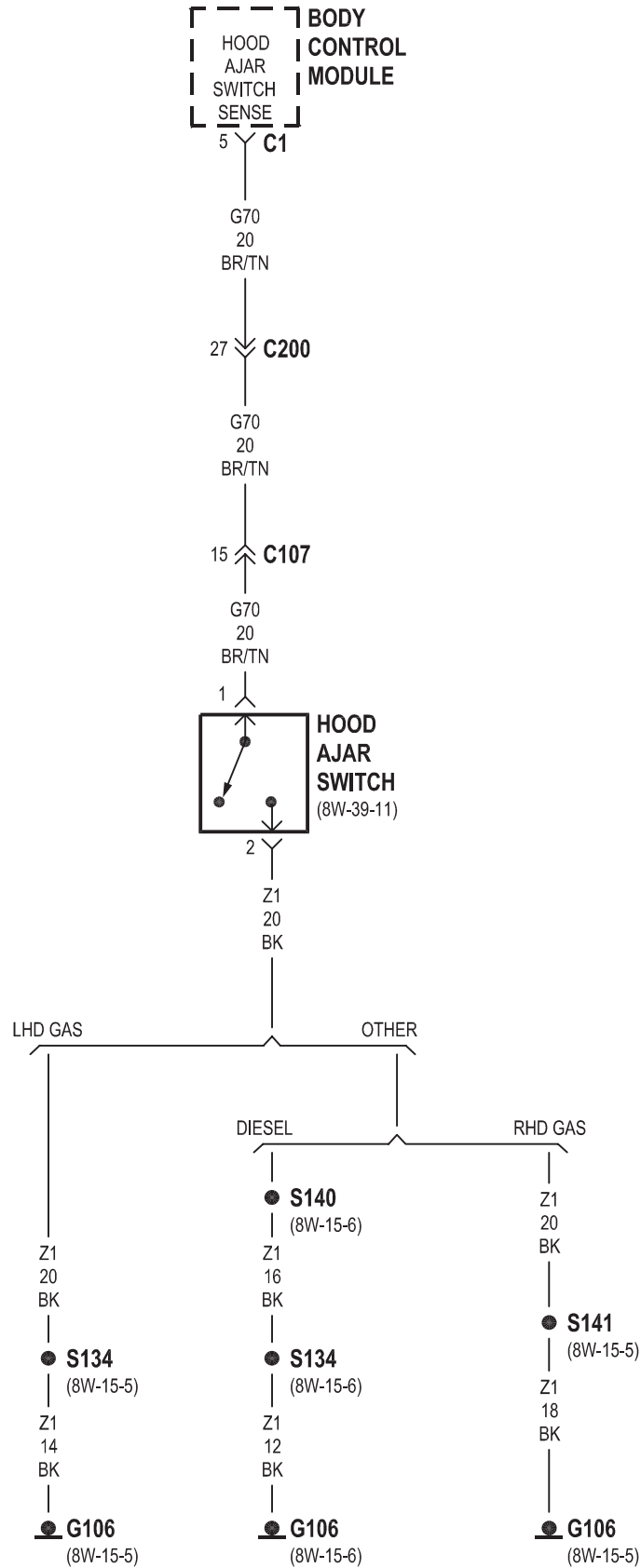






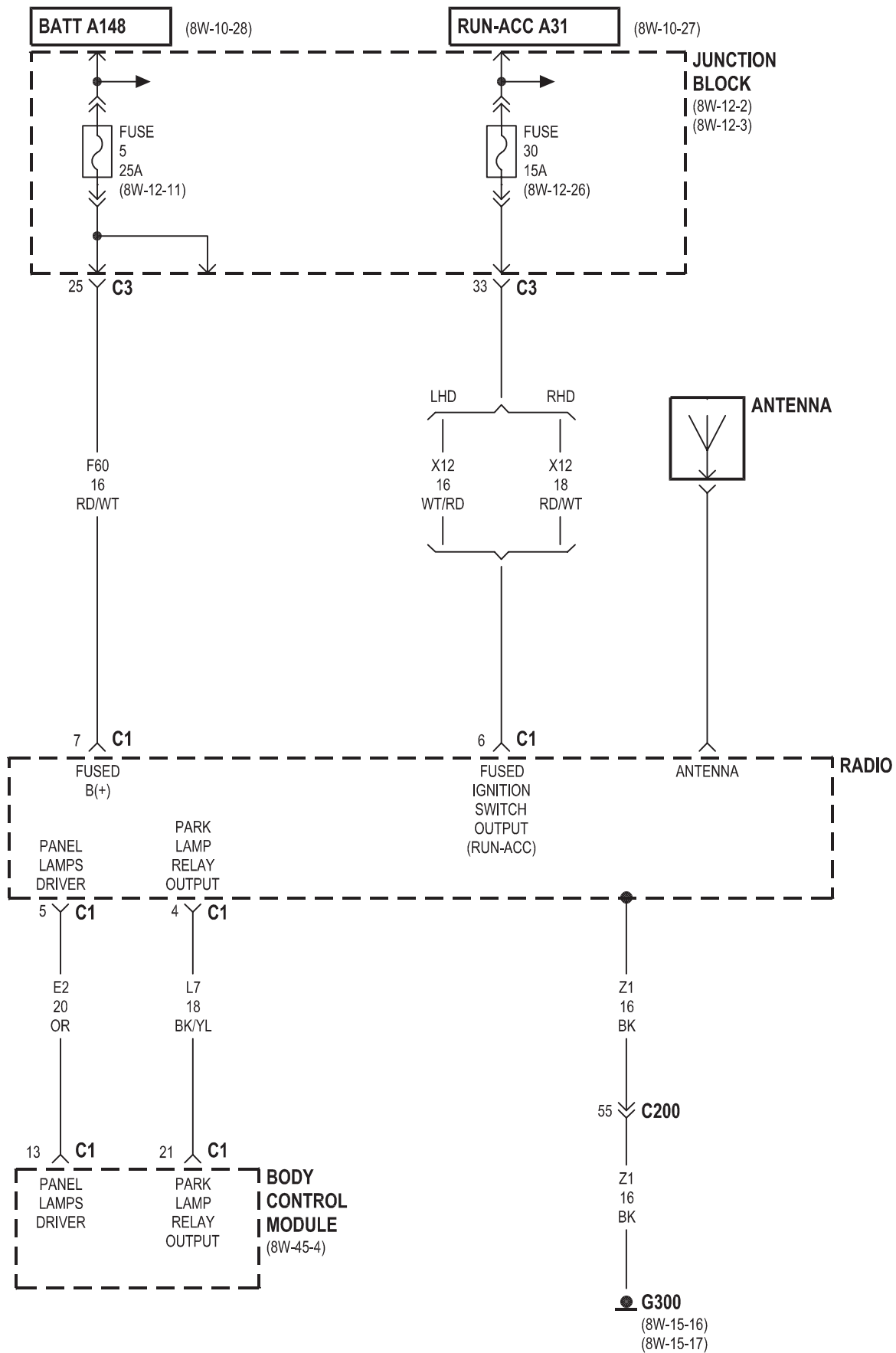


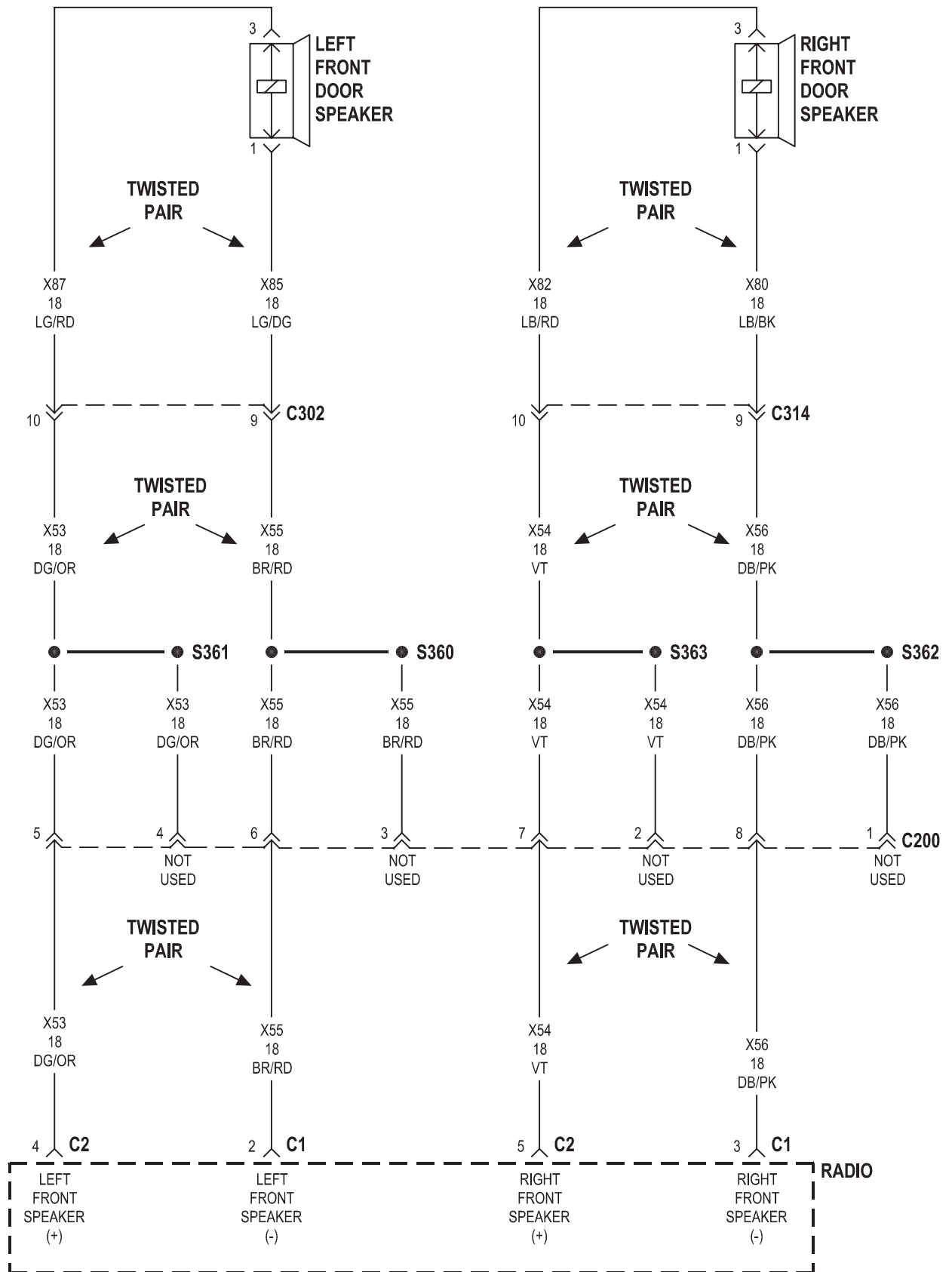


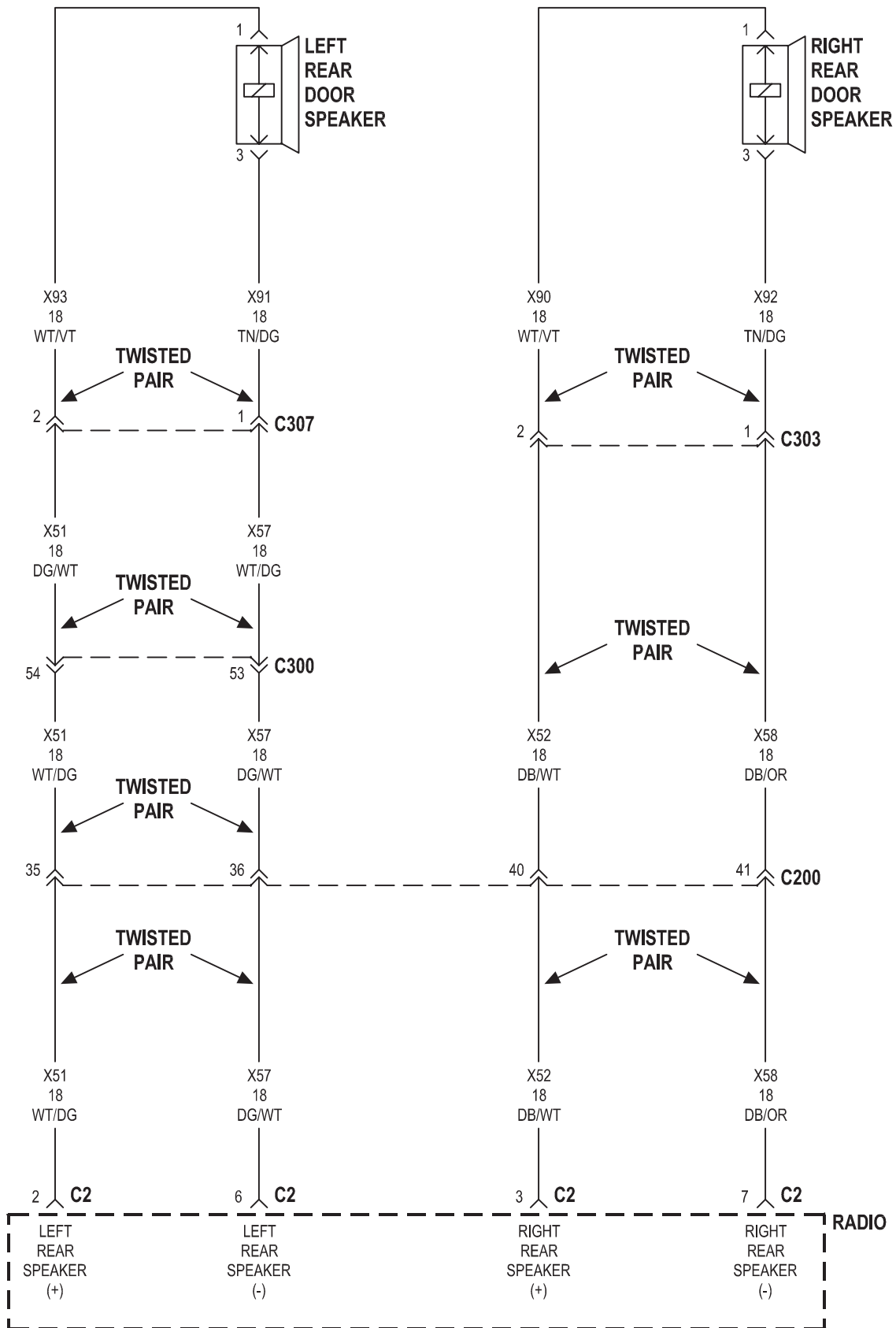


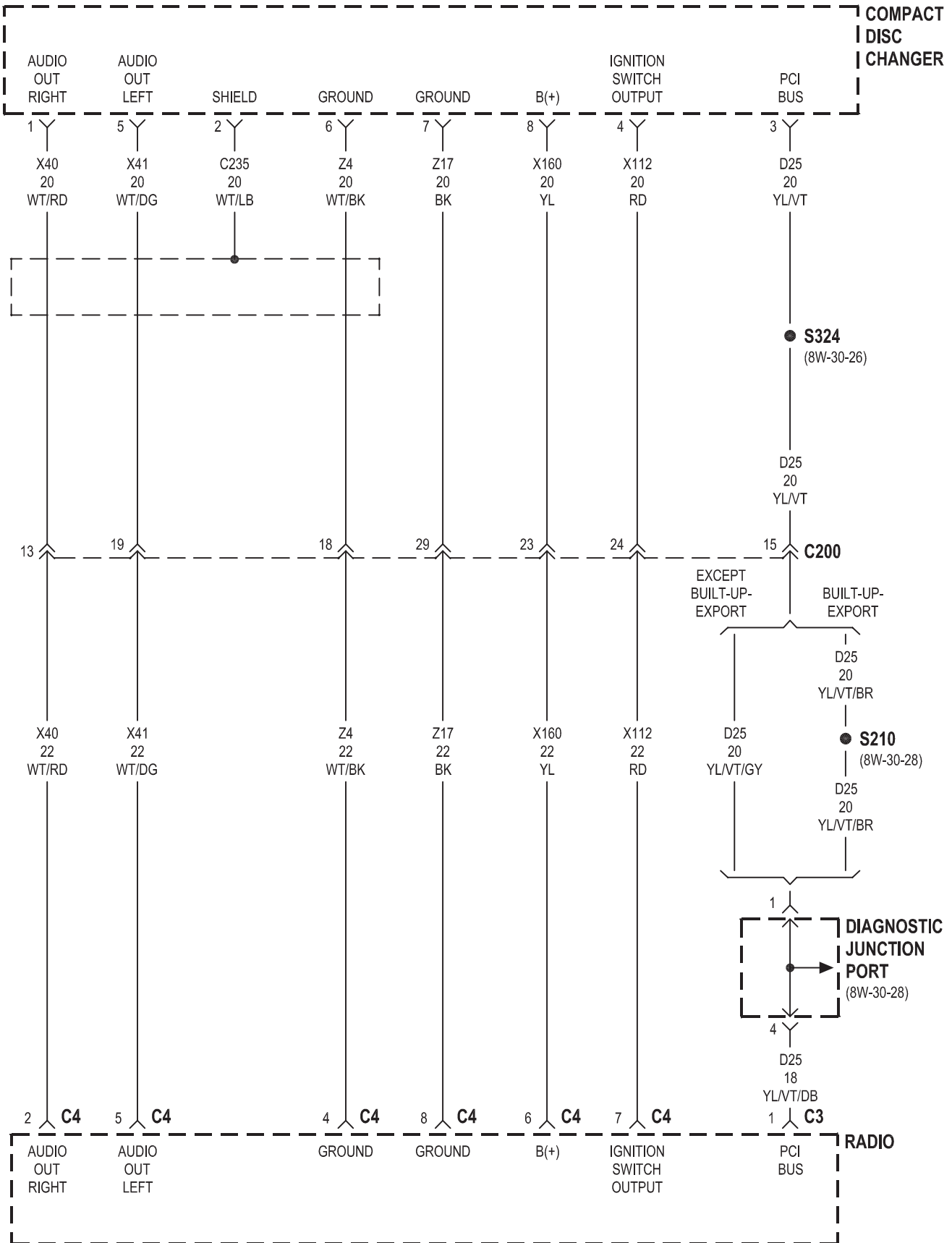
8W-47 AUDIO SYSTEM

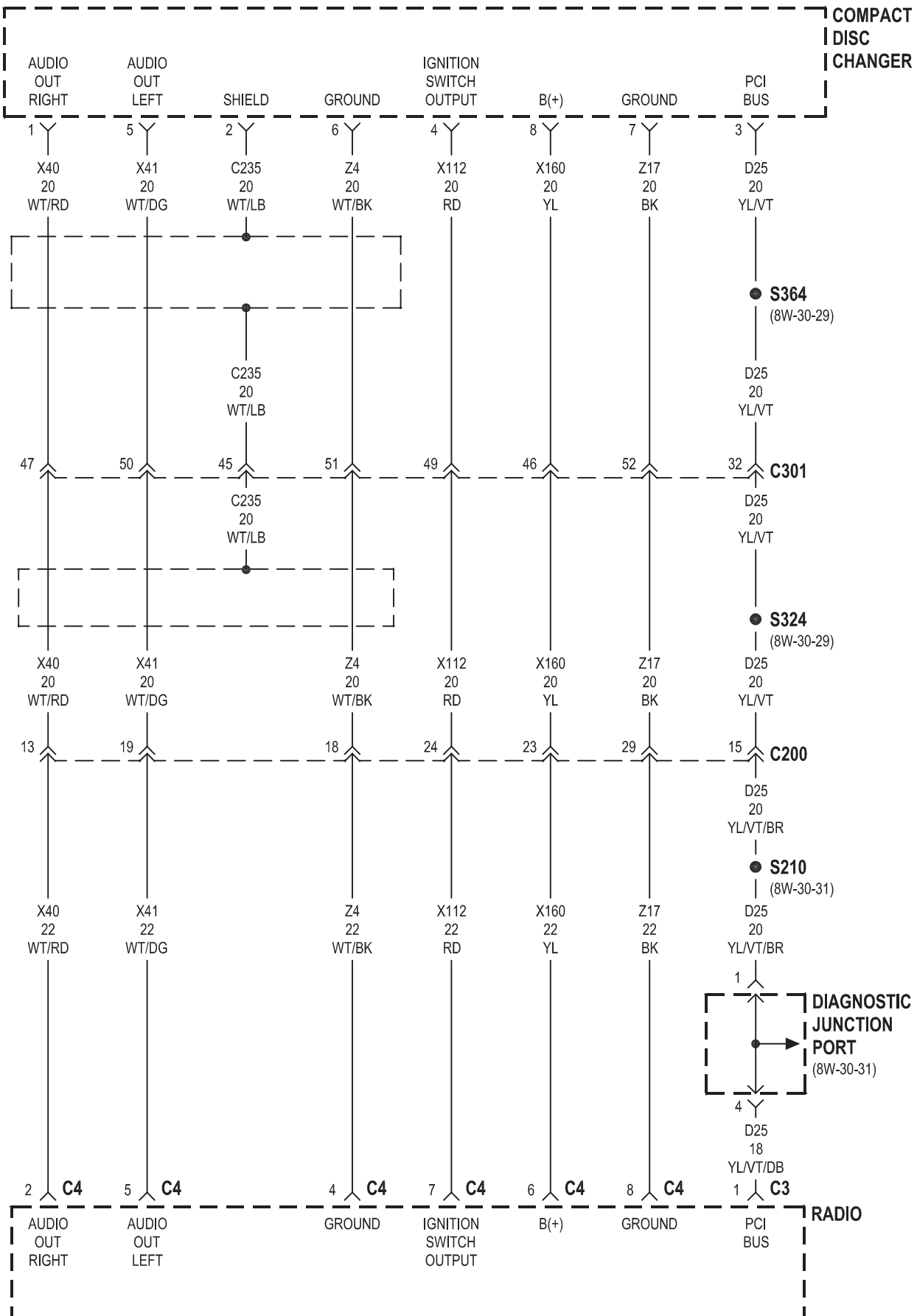
Component	Page	Component	Page
Antenna	8W-47-2	Left Front Door Speaker	8W-47-4, 10, 11
Antenna Module	8W-47-3	Left Instrument Panel Speaker	8W-47-12
Body Control Module	8W-47-2, 3, 13	Left Rear Door Speaker	8W-47-5, 10, 11
Clockspring	8W-47-13	Left Remote Radio Switch	8W-47-13
Compact Disc Changer	8W-47-6, 7	Power Amplifier	8W-47-3, 8, 9, 10, 11, 12
Diagnostic Junction Port	8W-47-6, 7, 13	Radio	8W-47-2, 3, 4, 5, 6, 7, 8, 9, 13
Fuse 5 (JB)	8W-47-2, 3	Right Front Door Speaker	8W-47-4, 10, 11
Fuse 30 (JB)	8W-47-2, 3	Right Instrument Panel Speaker	8W-47-12
G300	8W-47-2, 3	Right Rear Door Speaker	8W-47-5, 10, 11
Junction Block	8W-47-2, 3	Right Remote Radio Switch	8W-47-13

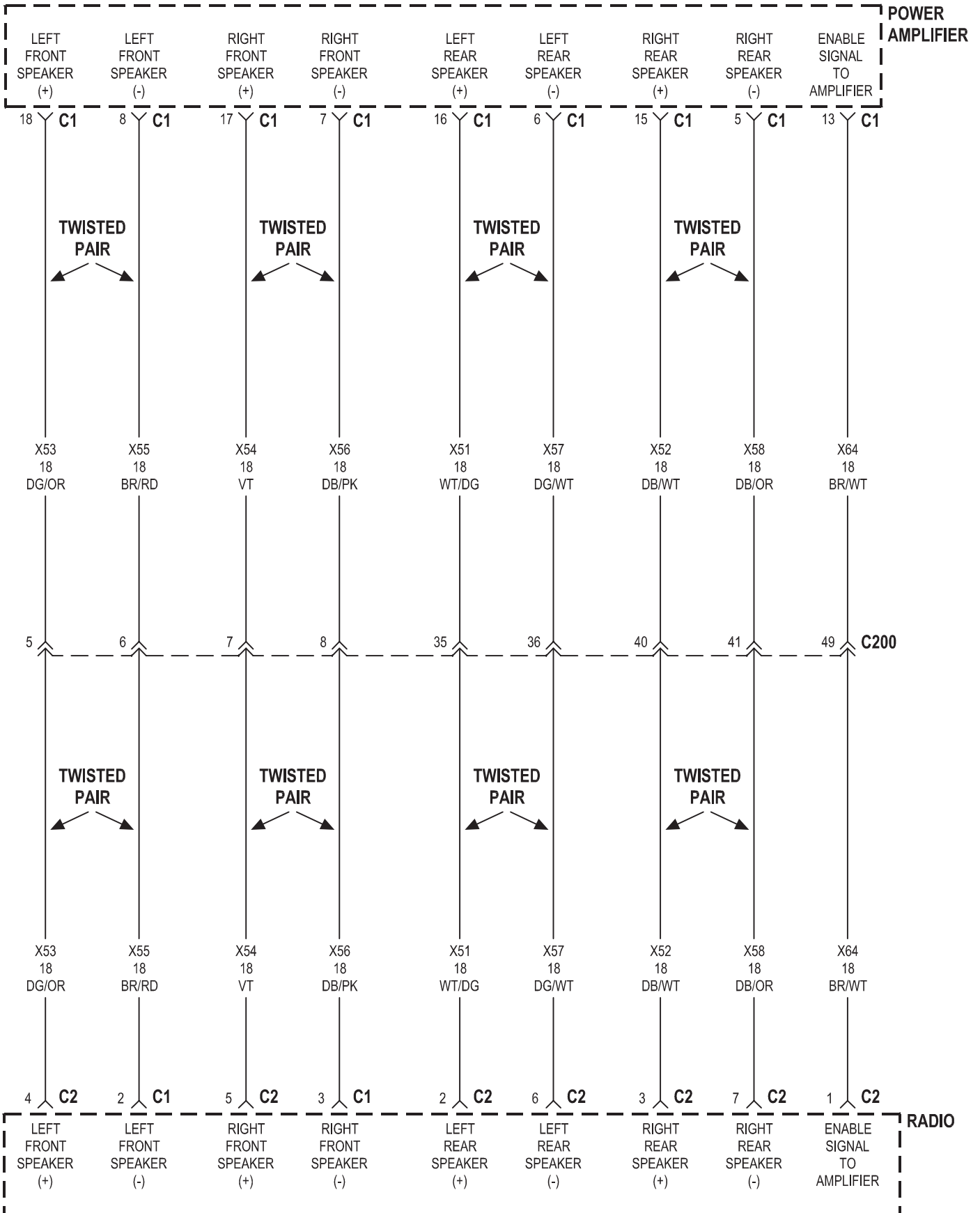


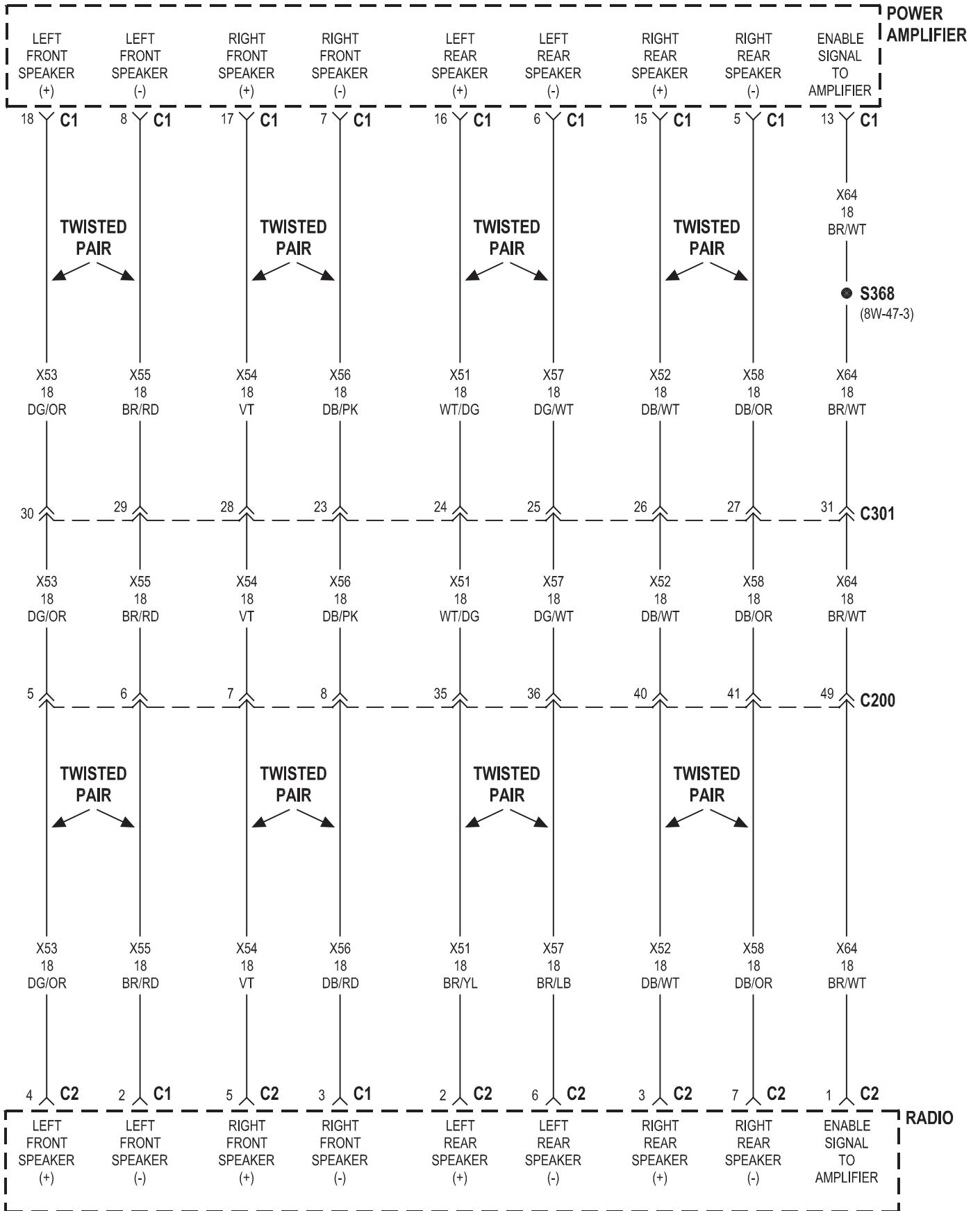


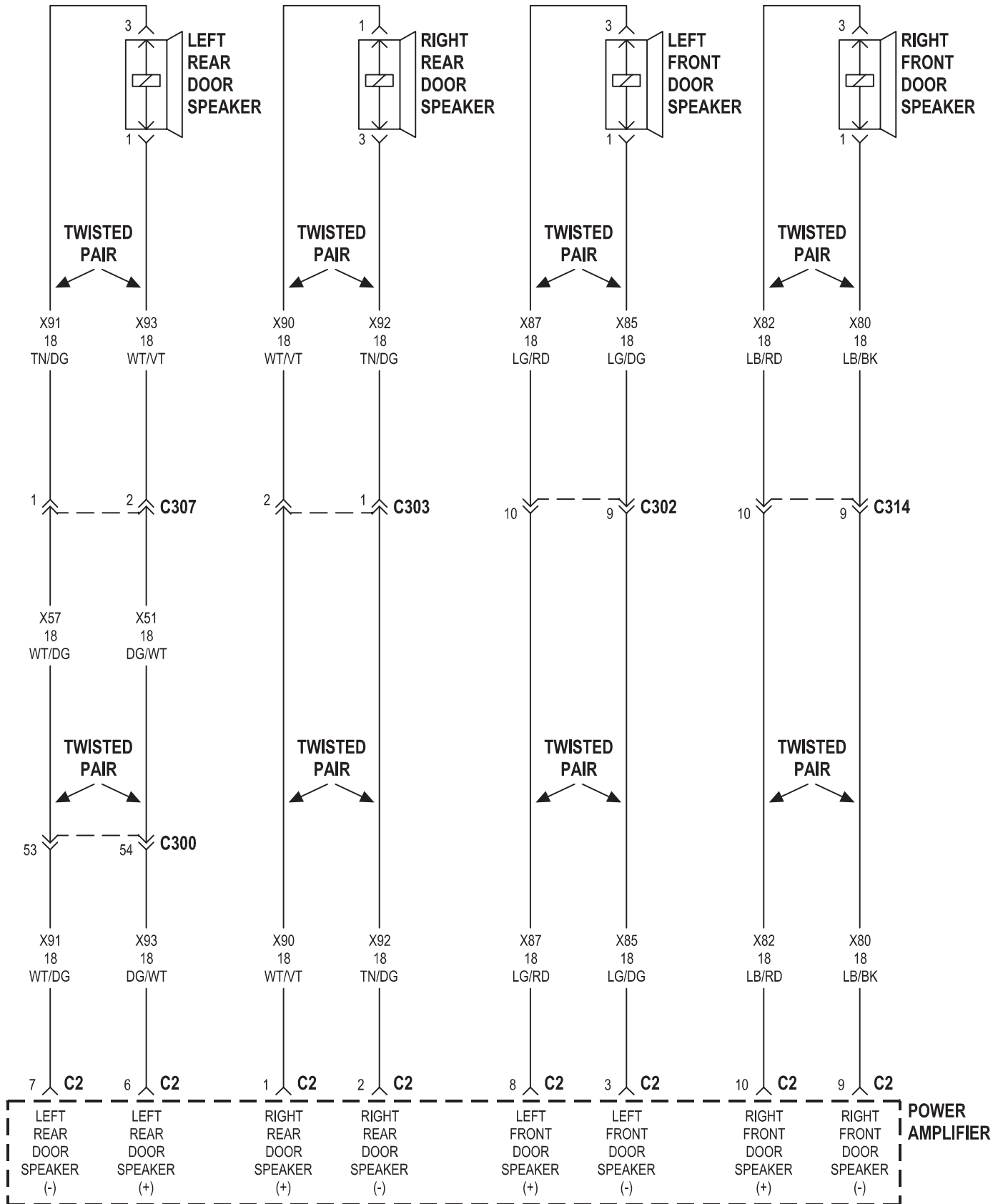


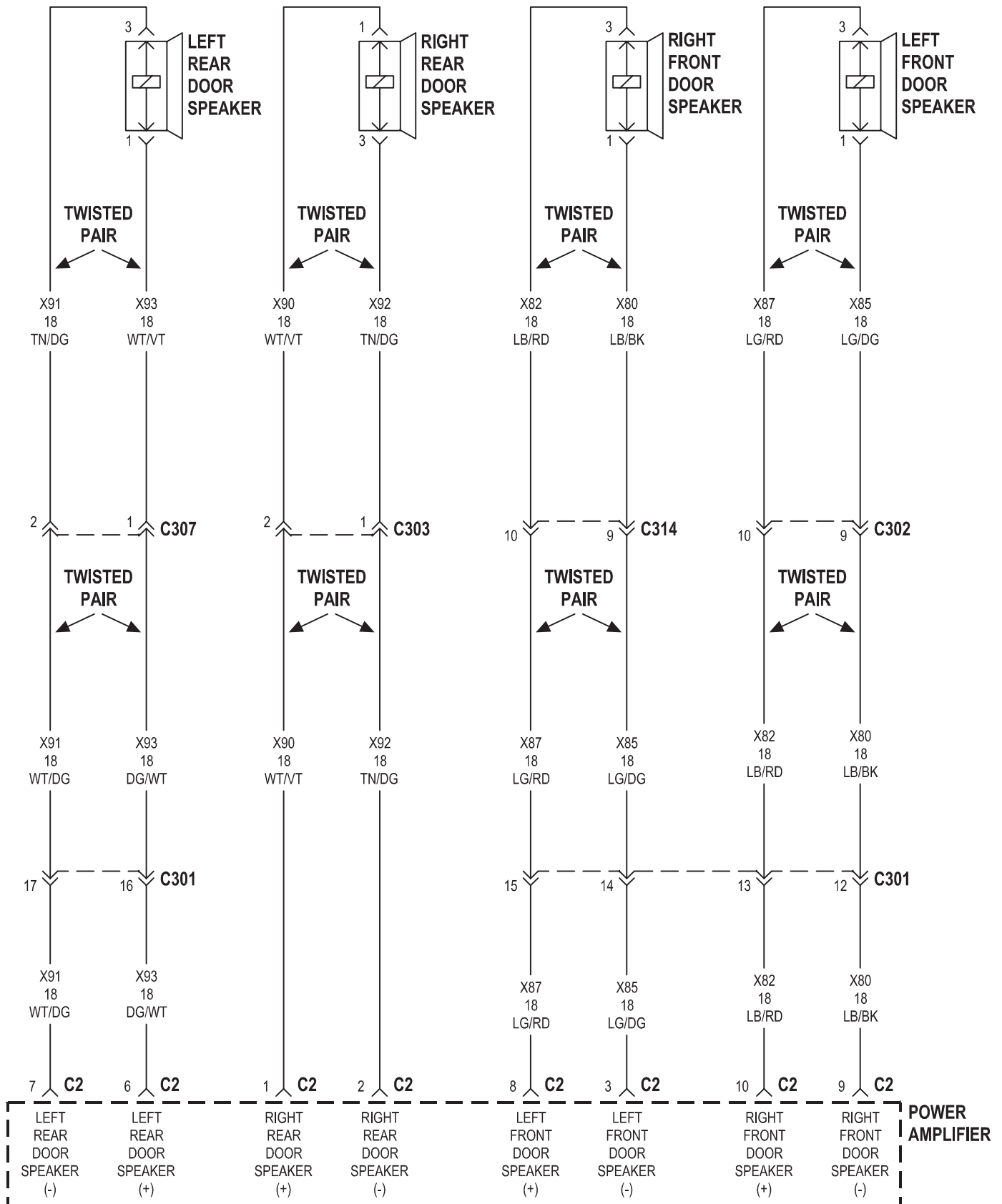


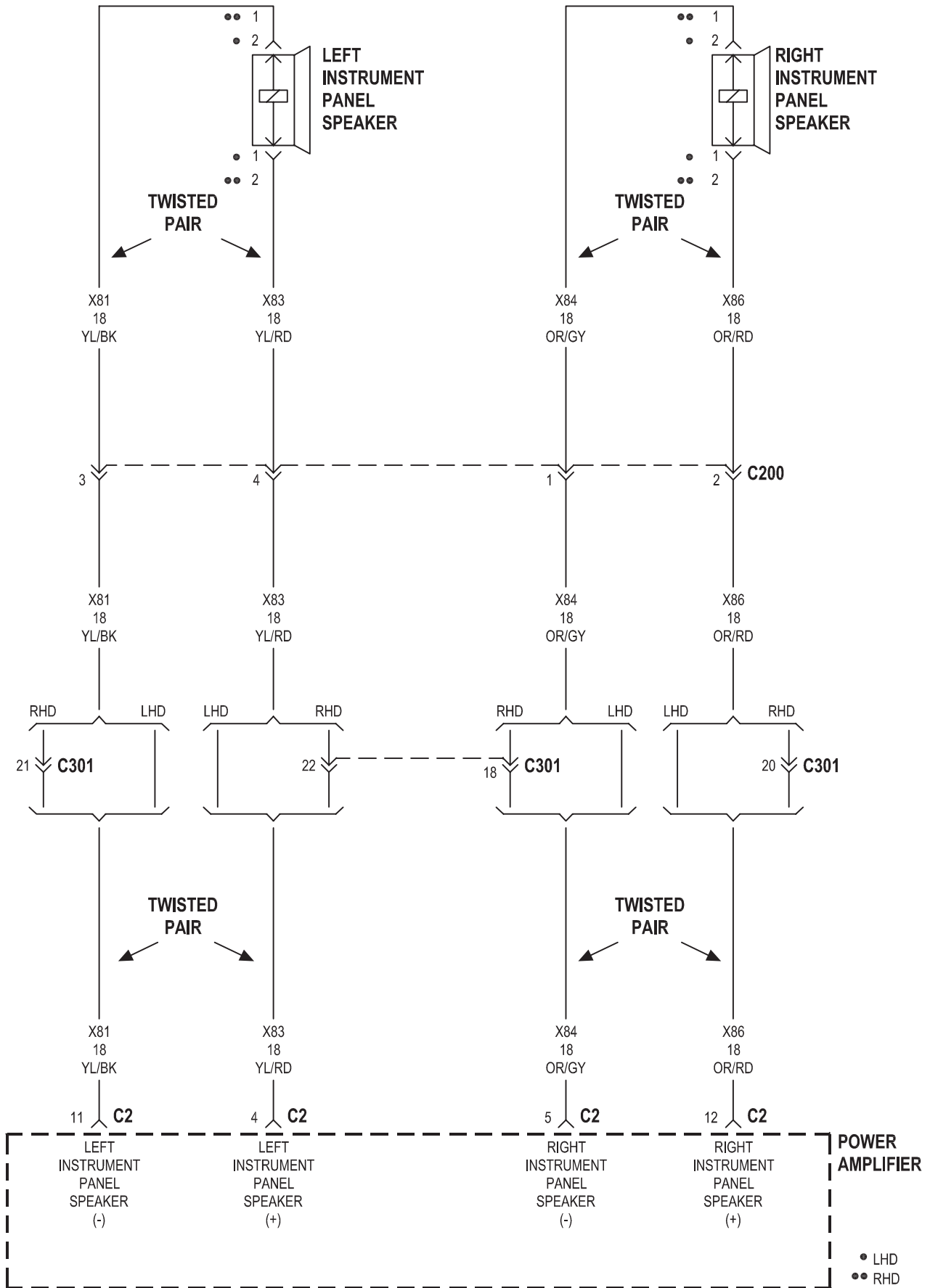


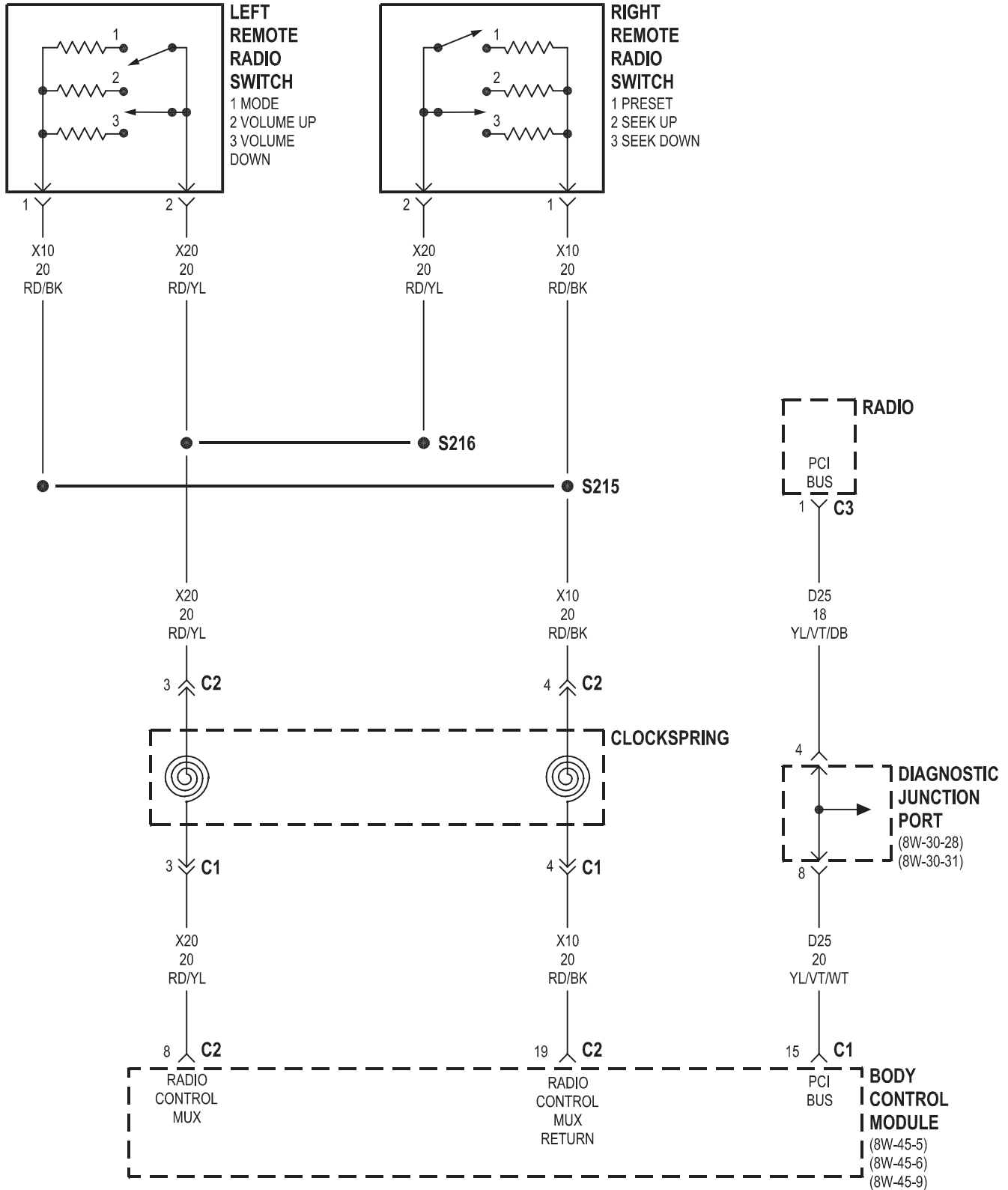






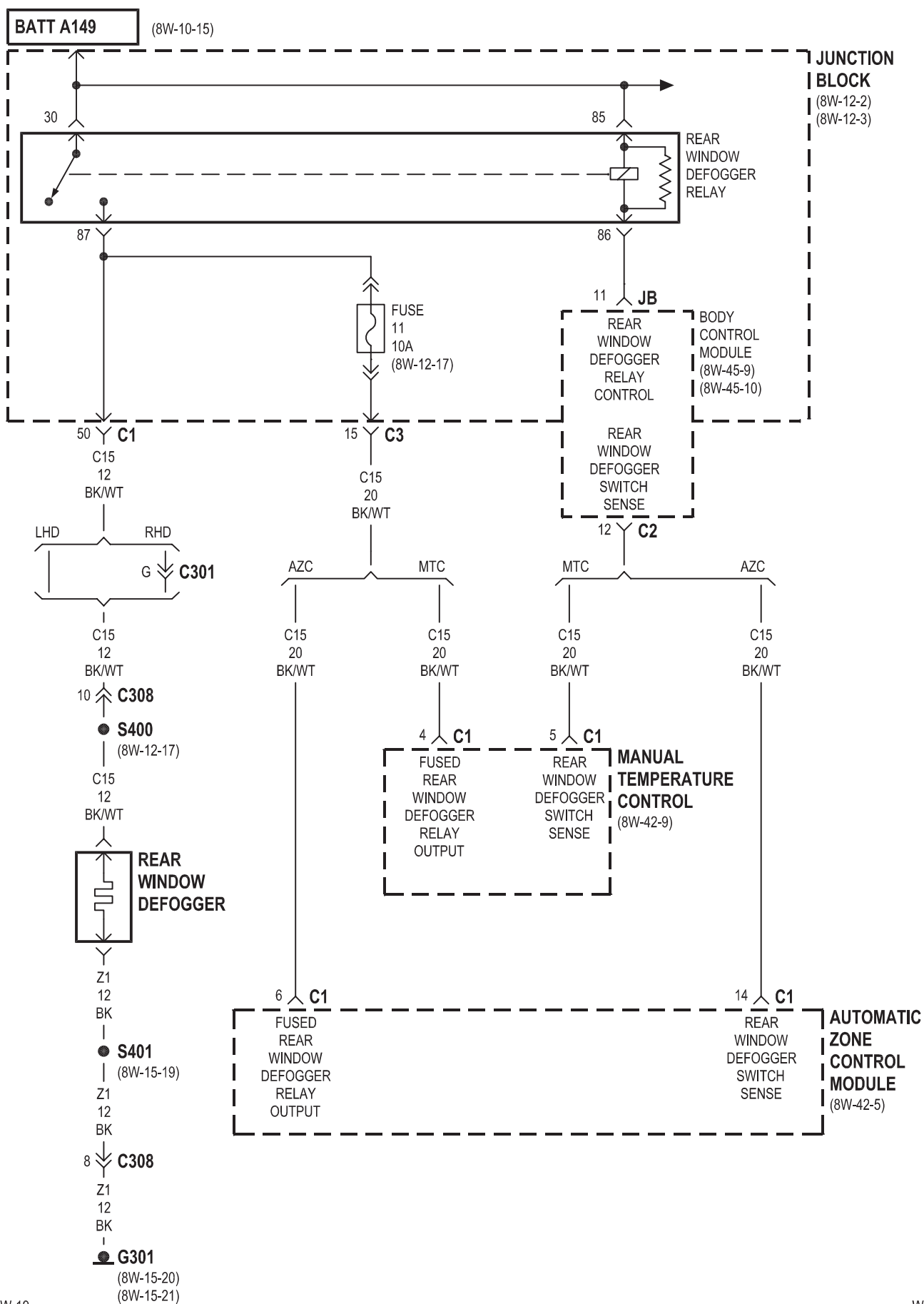






8W-48 REAR WINDOW DEFOGGER

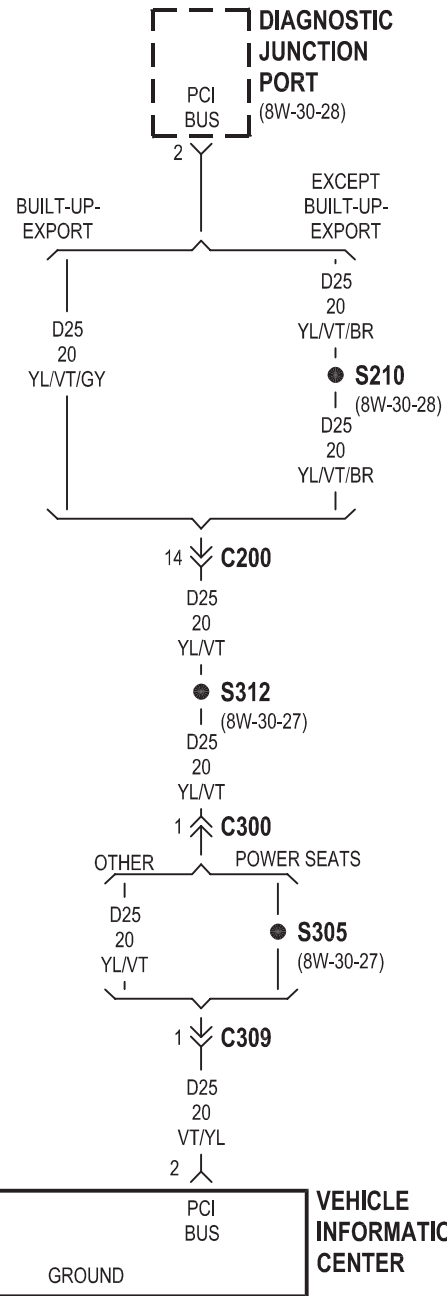
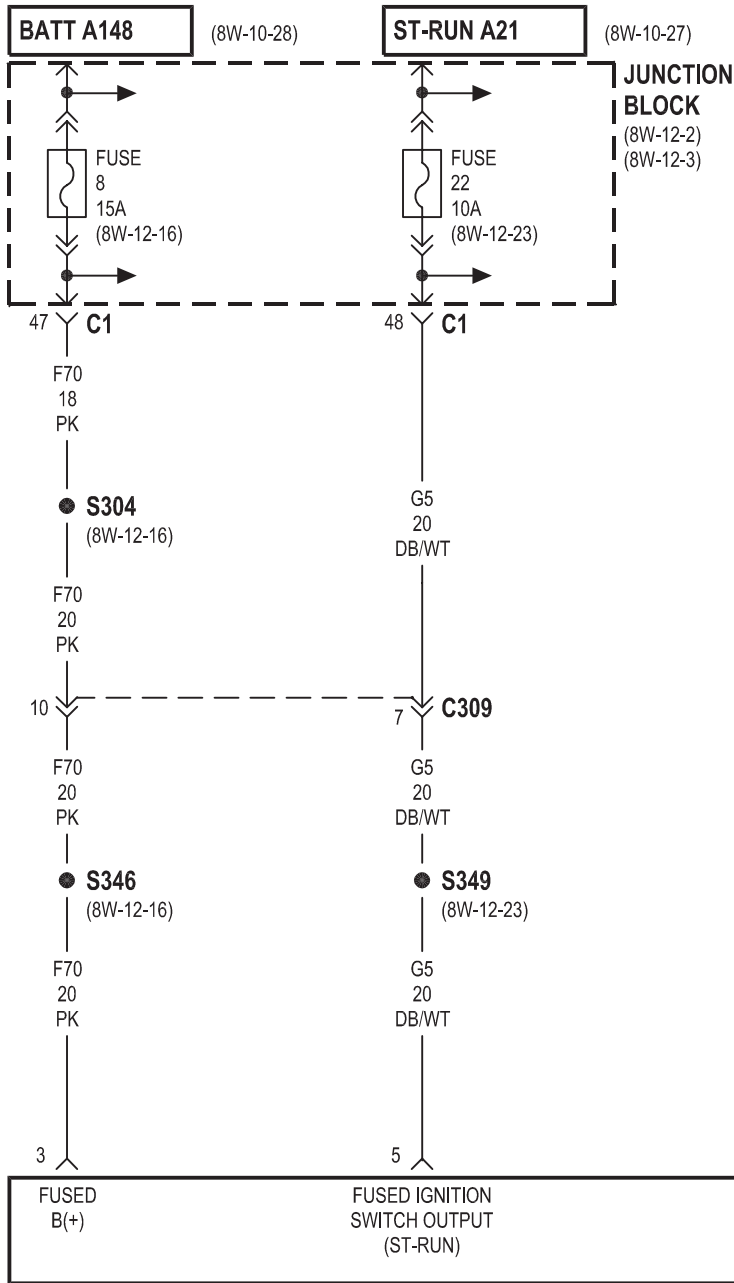
Component	Page	Component	Page
Automatic Zone Control Module	8W-48-2	Junction Block	8W-48-2
Body Control Module	8W-48-2	Manual Temperature Control	8W-48-2
Fuse 11 (JB)	8W-48-2	Rear Window Defogger	8W-48-2
G301	8W-48-2	Rear Window Defogger Relay	8W-48-2

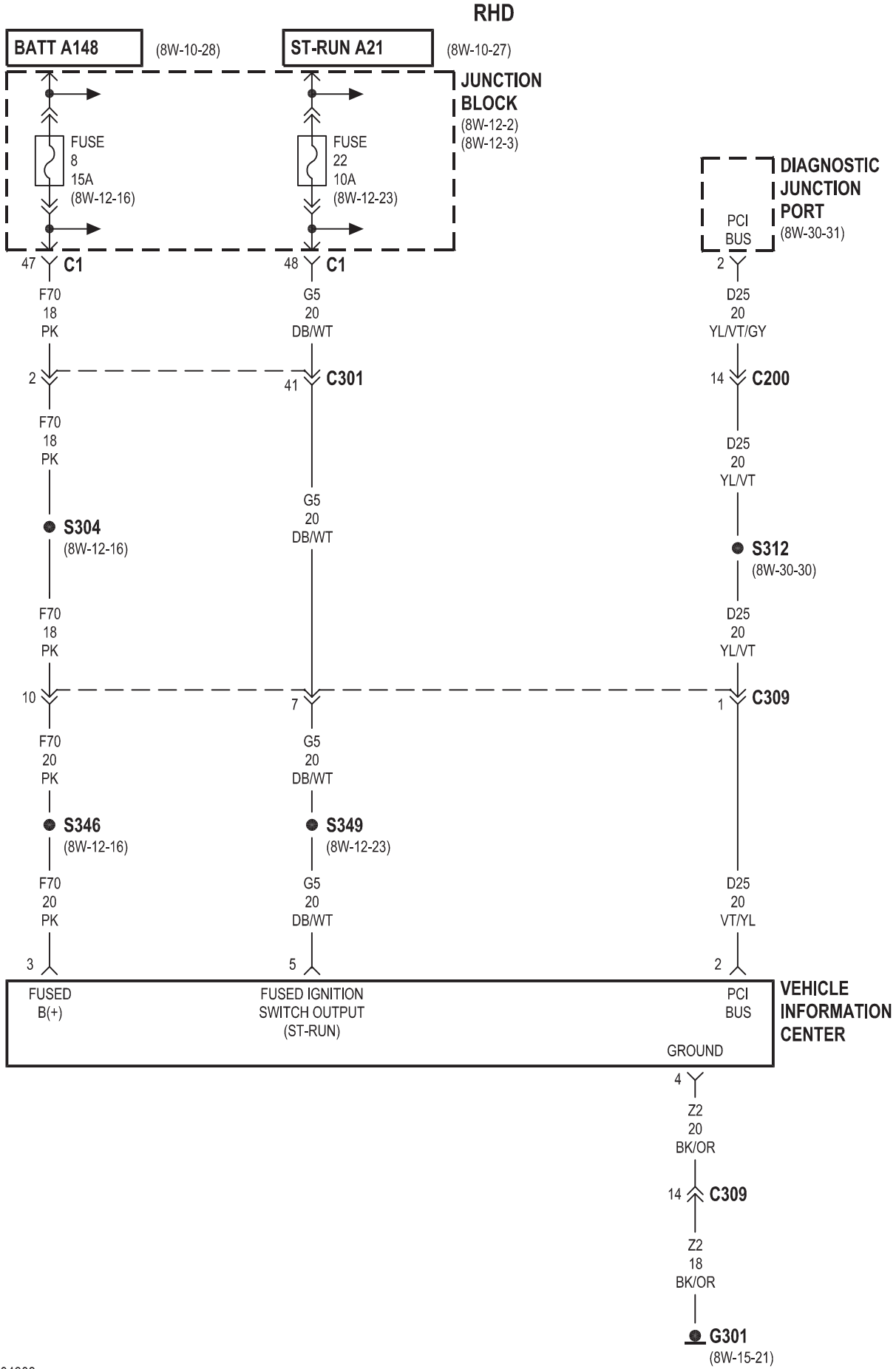


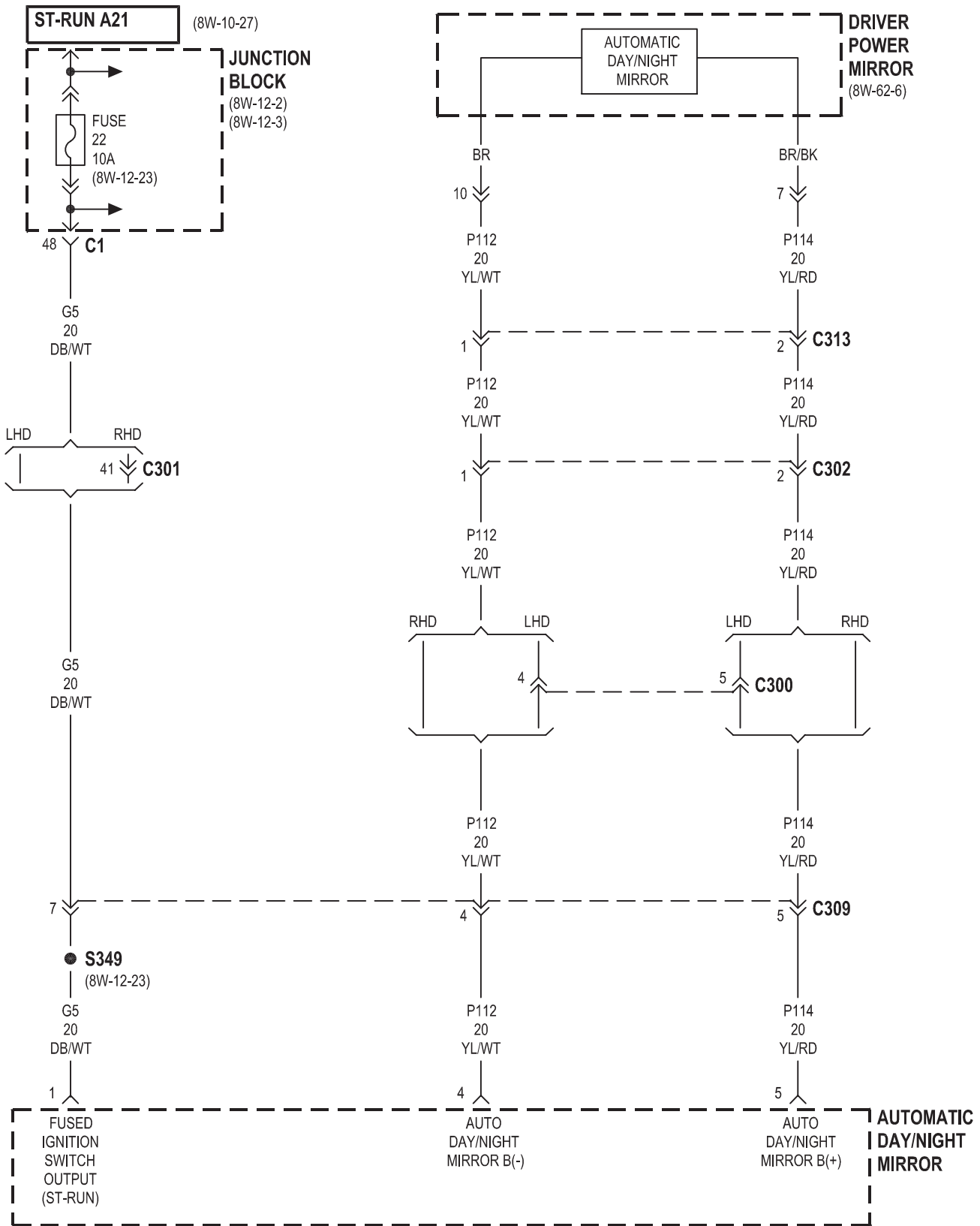
8W-49 OVERHEAD CONSOLE

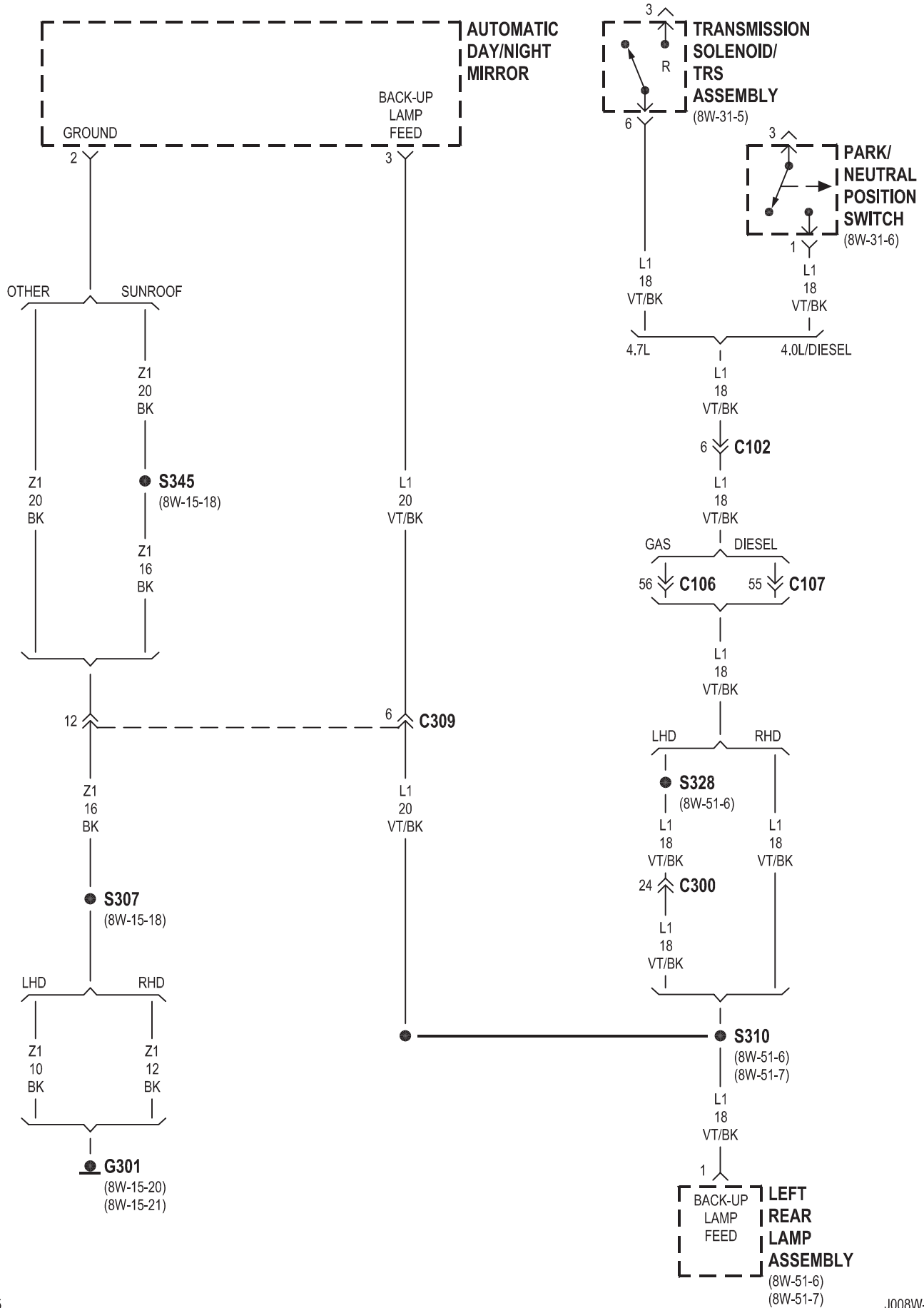
Component	Page	Component	Page
Automatic Day/Night Mirror	8W-49-4, 5	Junction Block	8W-49-2, 3, 4
Diagnostic Junction Port	8W-49-2, 3	Left Rear Lamp Assembly	8W-49-5
Driver Power Mirror	8W-49-4	Park/Neutral Position Switch	8W-49-5
Fuse 8 (JB)	8W-49-2, 3	Transmission Solenoid/TRS Assembly	8W-49-5
Fuse 22 (JB)	8W-49-2, 3, 4	Vehicle Information Center	8W-49-2, 3
G301	8W-49-2, 3, 5		

LHD



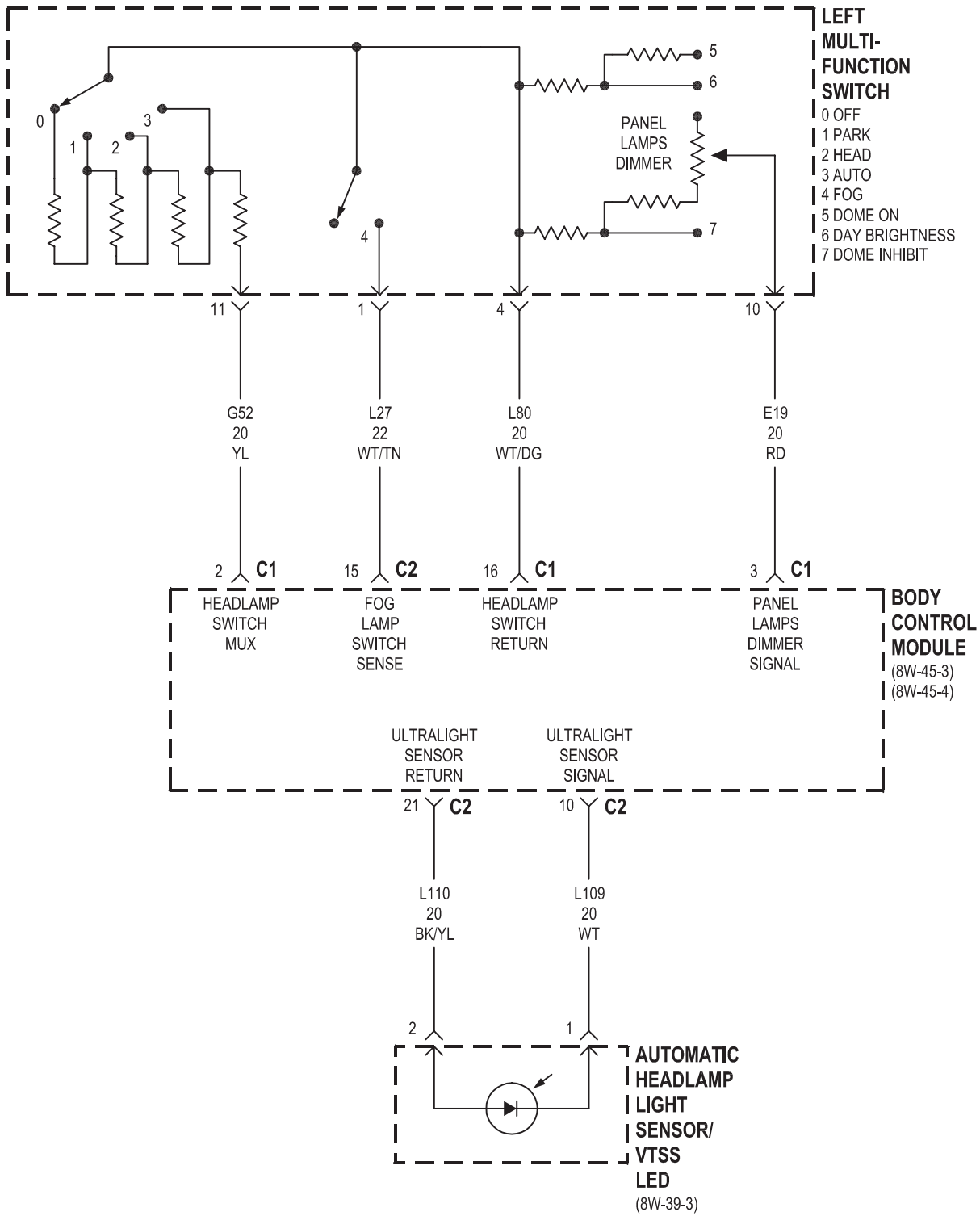


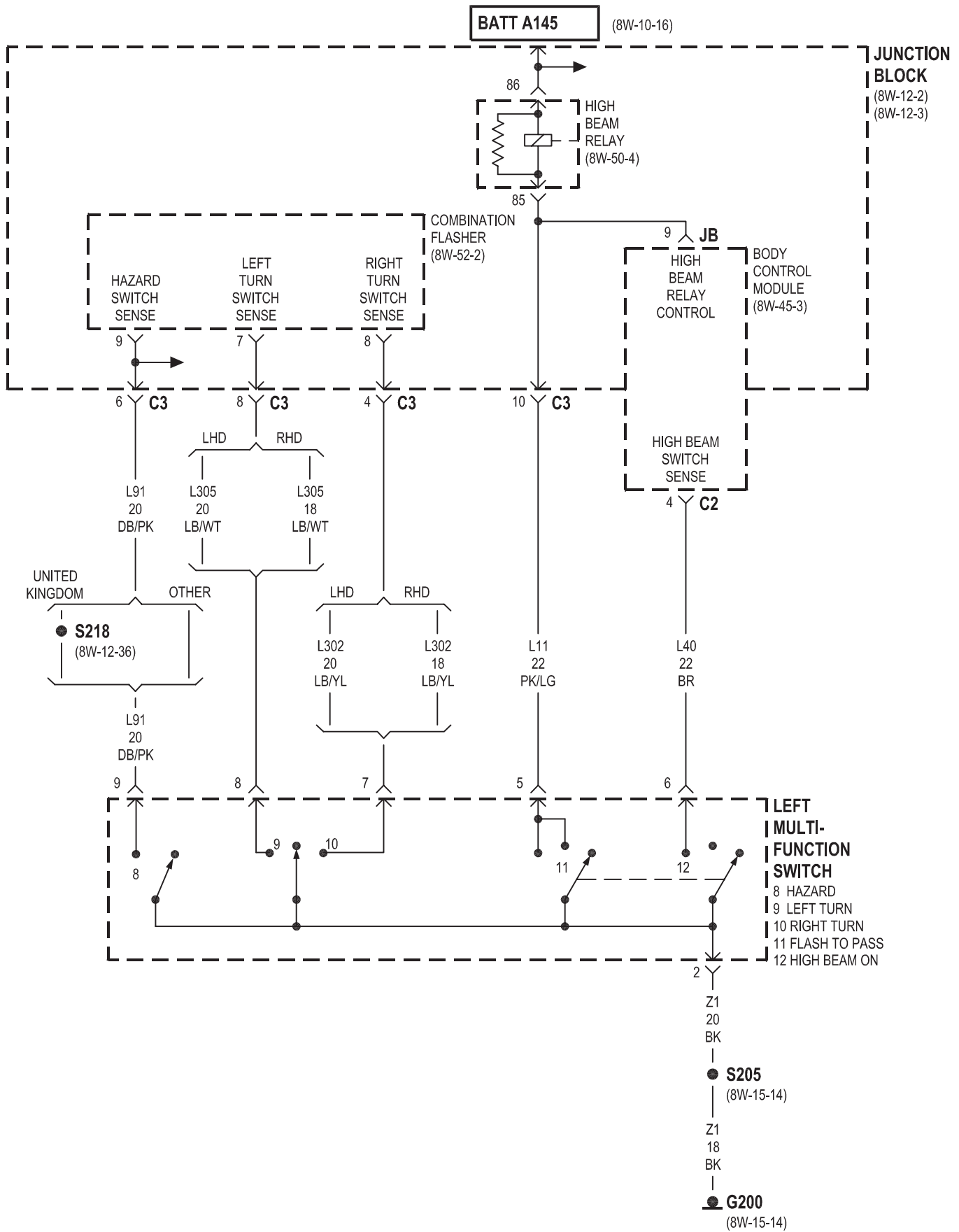


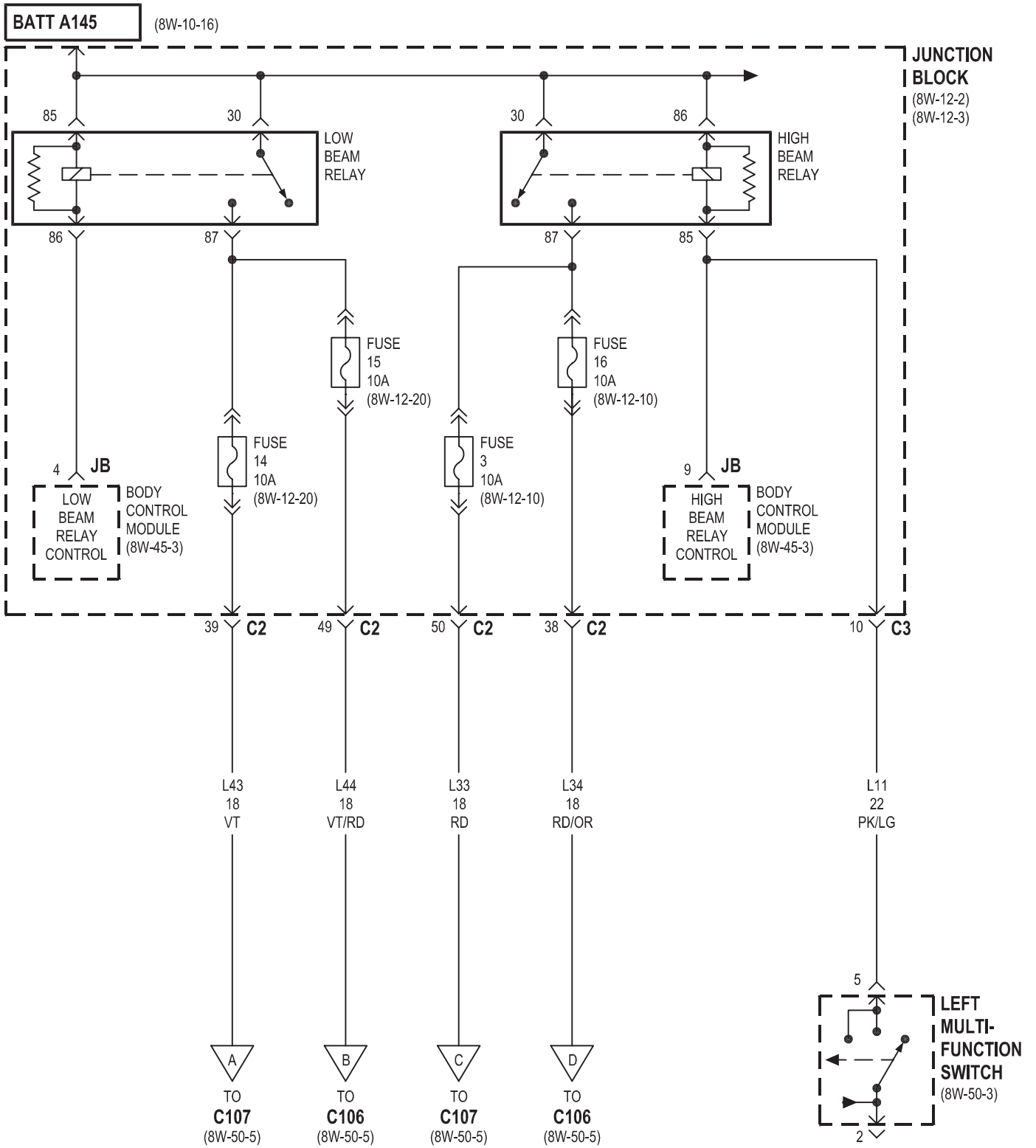


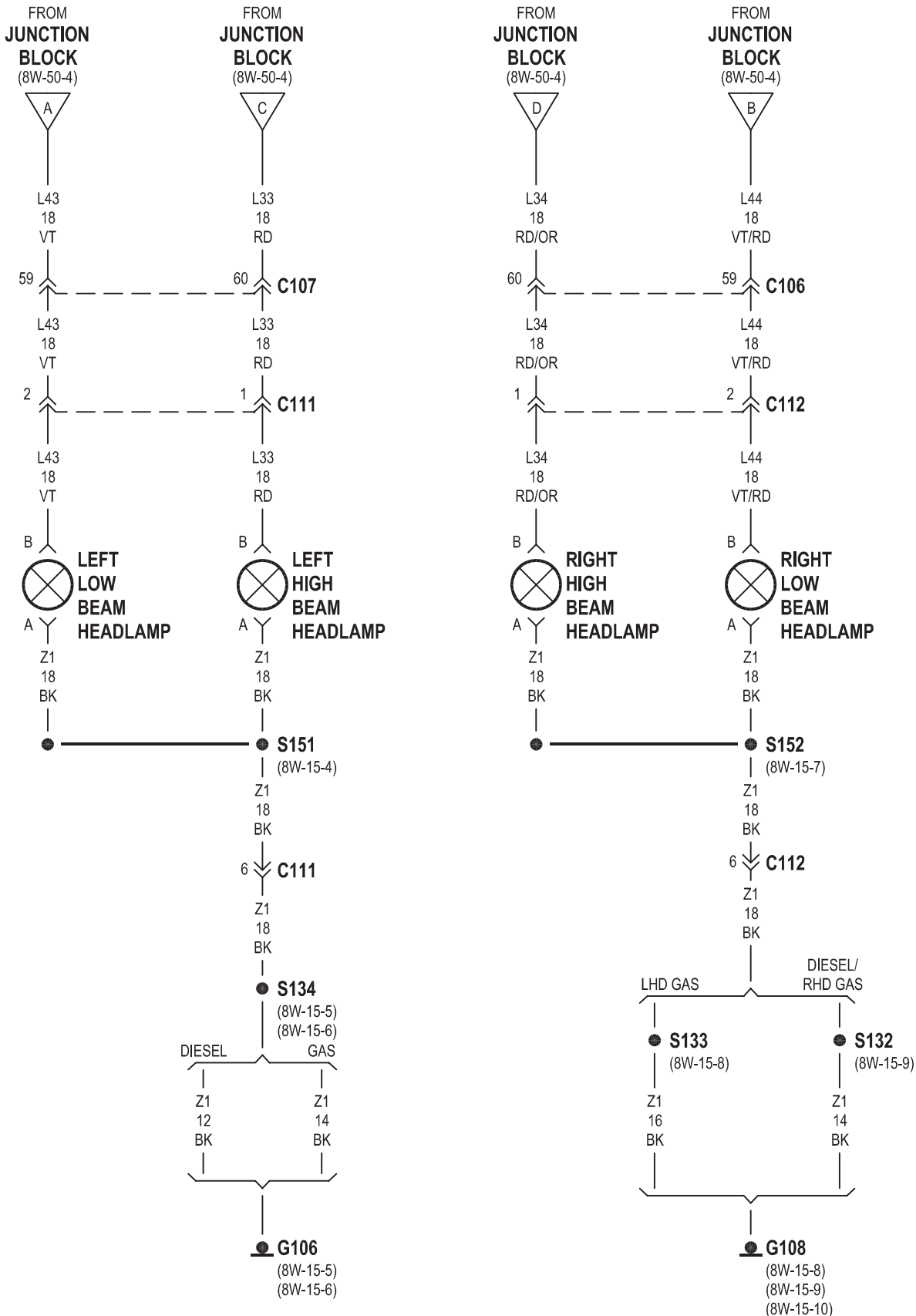
8W-50 FRONT LIGHTING

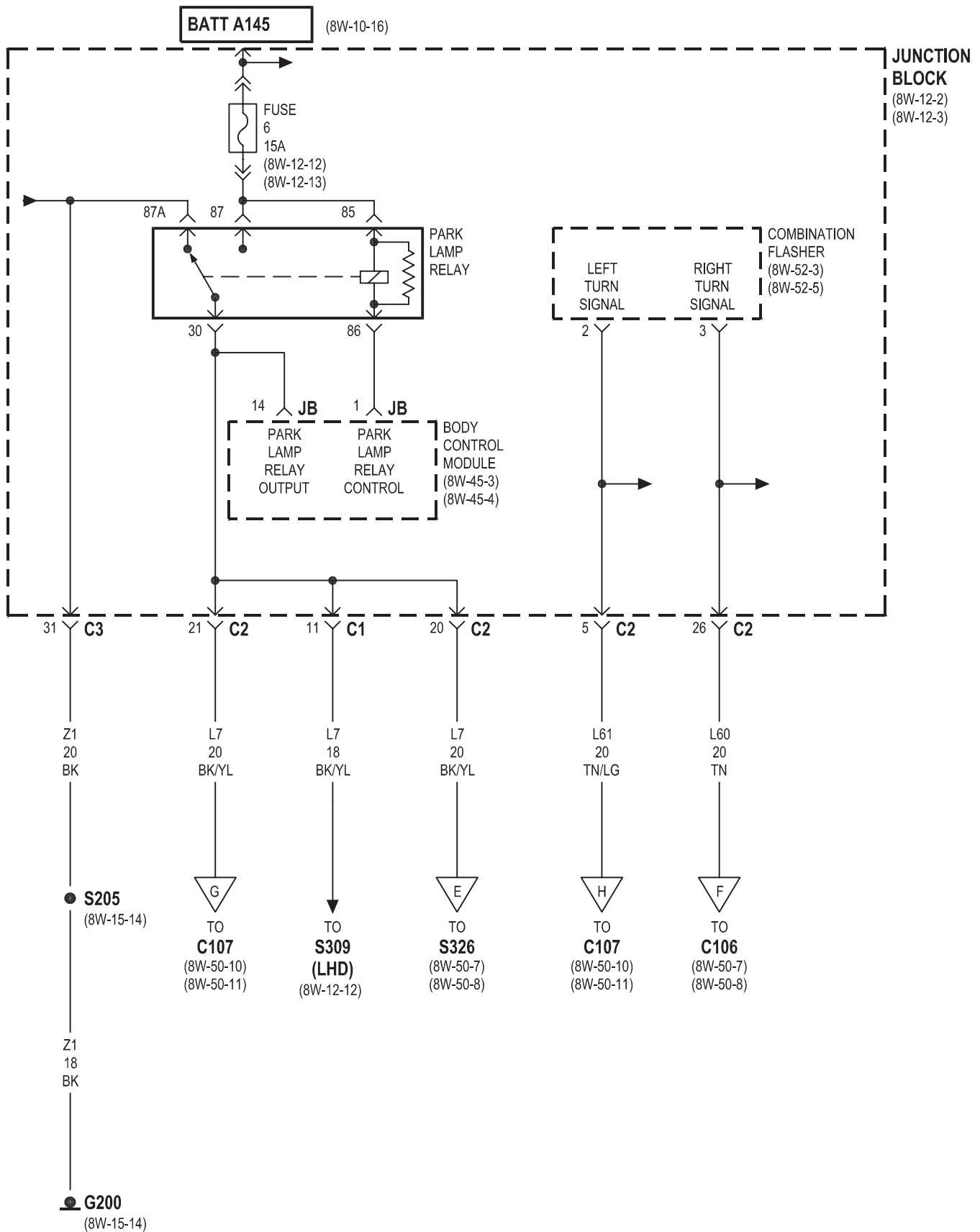
Component	Page	Component	Page
Automatic Headlamp Light		Left Front Turn Signal Lamp	8W-50-11
Sensor/VTSS LED	8W-50-2	Left Headlamp Leveling Motor	8W-50-11
Body Control Module	8W-50-2, 3, 4, 6, 12, 13	Left High Beam Headlamp	8W-50-5
Combination Flasher	8W-50-3, 6	Left Low Beam Headlamp	8W-50-5, 13
Fog Lamp Relay	8W-50-12	Left Multi- Function Switch	8W-50-2, 3, 4
Fuse 3 (JB)	8W-50-4	Left Side Repeater	8W-50-11
Fuse 6 (JB)	8W-50-6	Low Beam Relay	8W-50-4
Fuse 14 (JB)	8W-50-4, 13	Low Beam/Daytime Running	
Fuse 15 (JB)	8W-50-4, 13	Lamp Relay	8W-50-13
Fuse 16 (JB)	8W-50-4	Park Lamp Relay	8W-50-6
Fuse 24 (JB)	8W-50-12	Right Fog Lamp	8W-50-12
G106	8W-50-5, 10, 11, 12, 13	Right Front Park Lamp	8W-50-7, 8
G108	8W-50-5, 7, 8, 12, 13	Right Front Park/Turn Signal Lamp	8W-50-7
G200	8W-50-3, 6, 9, 13	Right Front Side Marker Lamp	8W-50-7
Headlamp Leveling Switch	8W-50-9	Right Front Turn Signal Lamp	8W-50-8
High Beam Relay	8W-50-3, 4	Right Headlamp Leveling Motor	8W-50-8
Junction Block	8W-50-3, 4, 6, 12, 13	Right High Beam Headlamp	8W-50-5
Left Fog Lamp	8W-50-12	Right Low Beam Headlamp	8W-50-5, 13
Left Front Park Lamp	8W-50-10, 11	Right Rear Lamp Assembly	8W-50-7, 8
Left Front Park/Turn Signal Lamp	8W-50-10	Right Side Repeater	8W-50-8
Left Front Side Marker Lamp	8W-50-10		

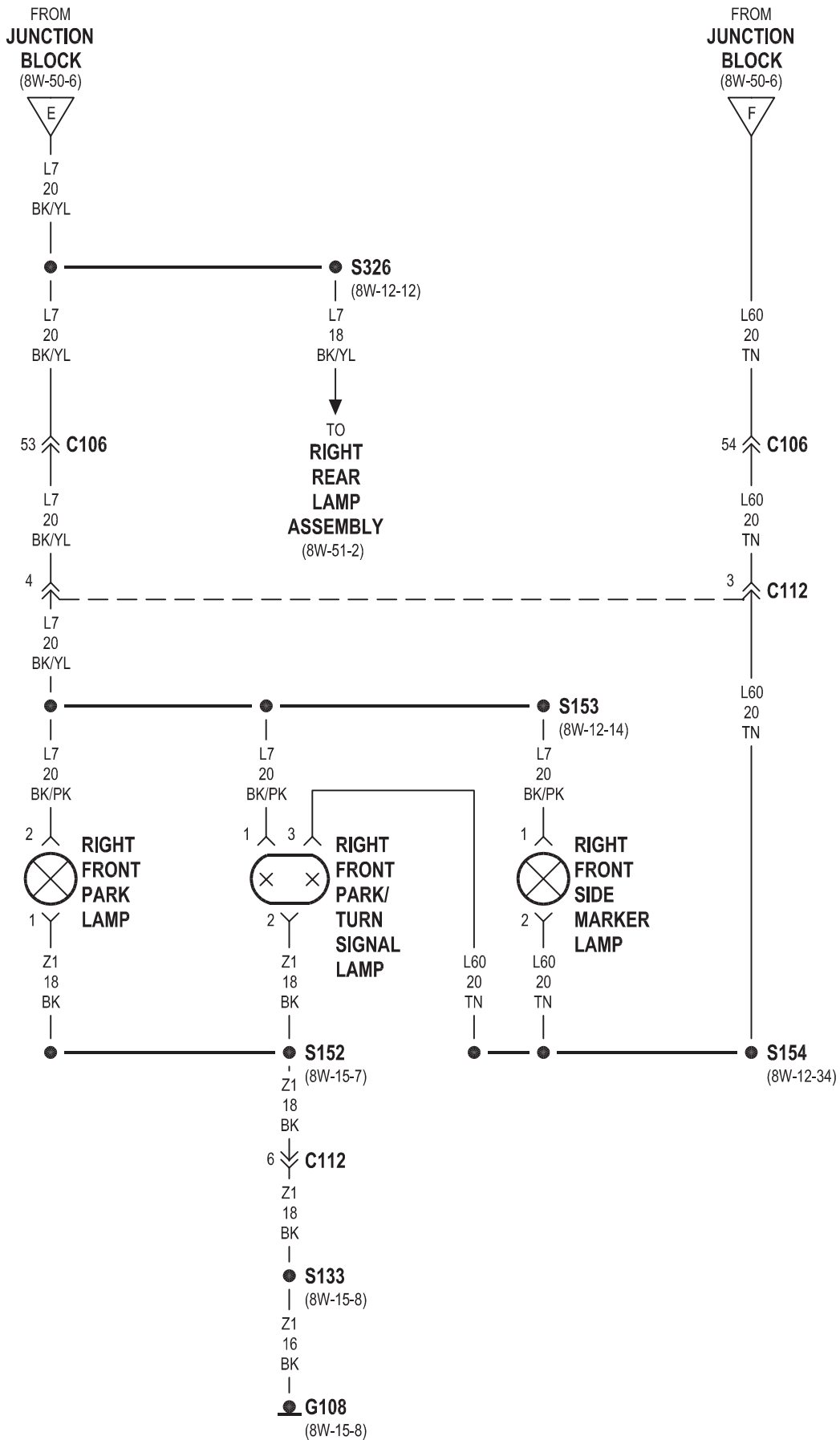


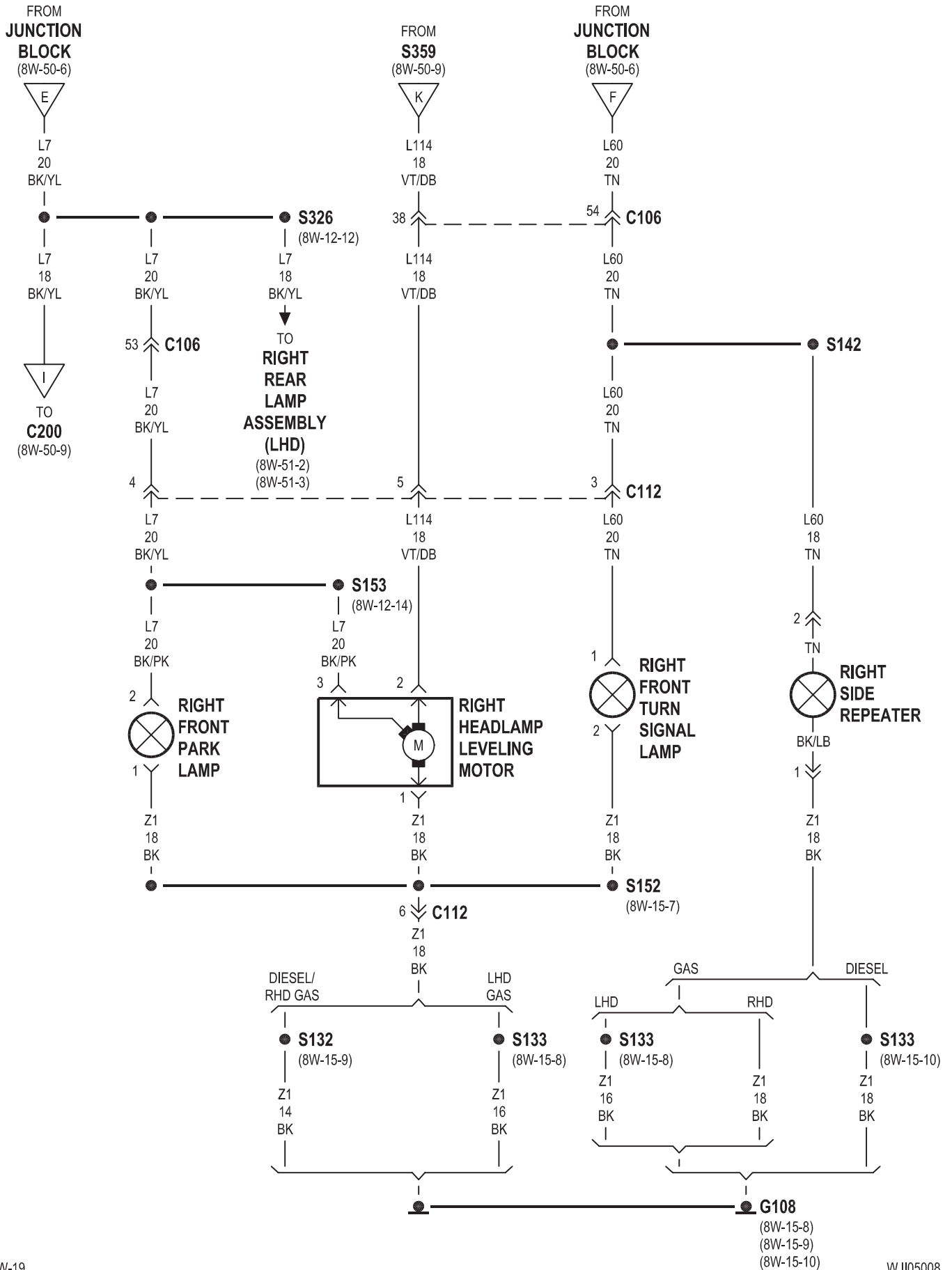


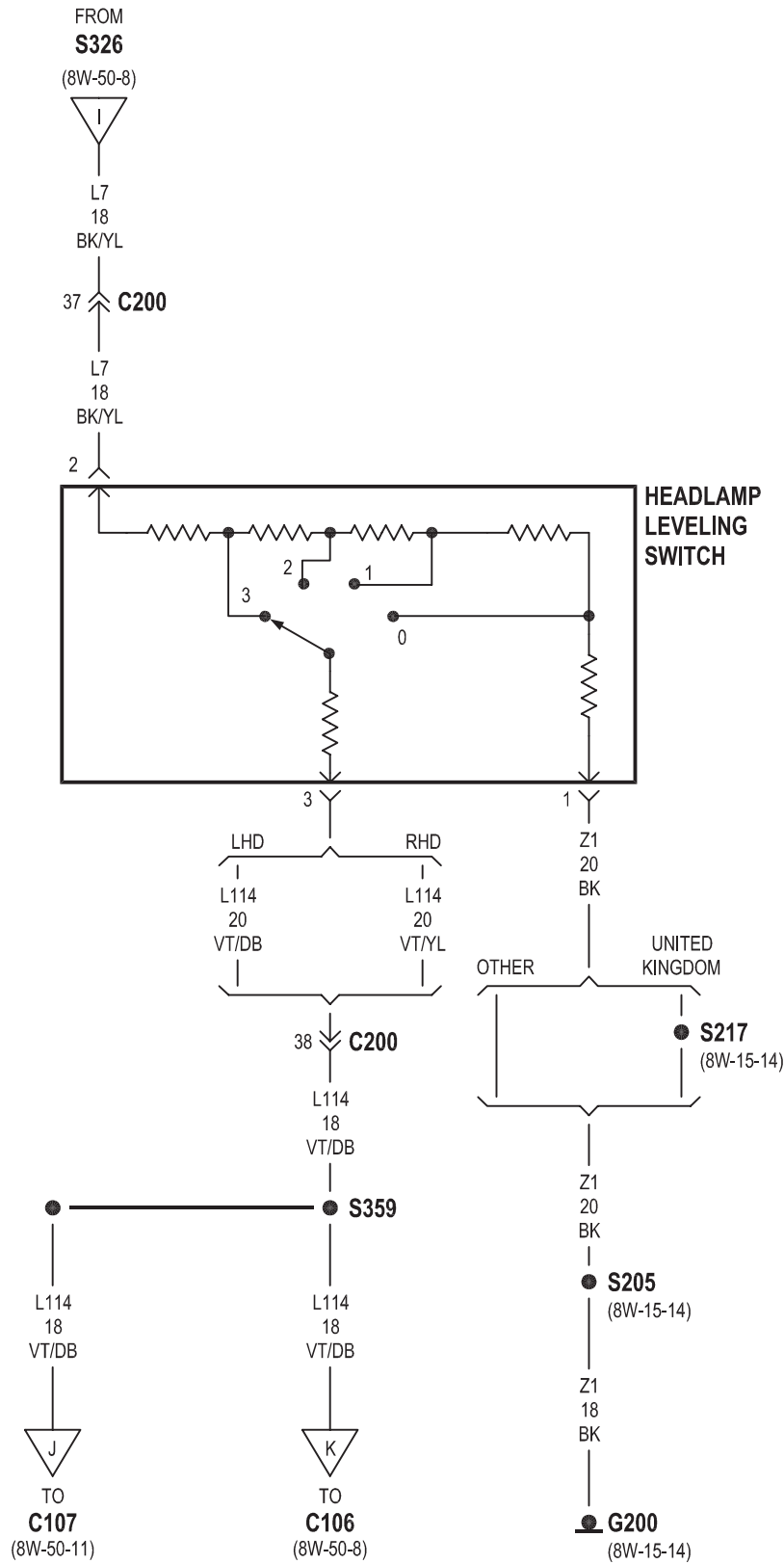


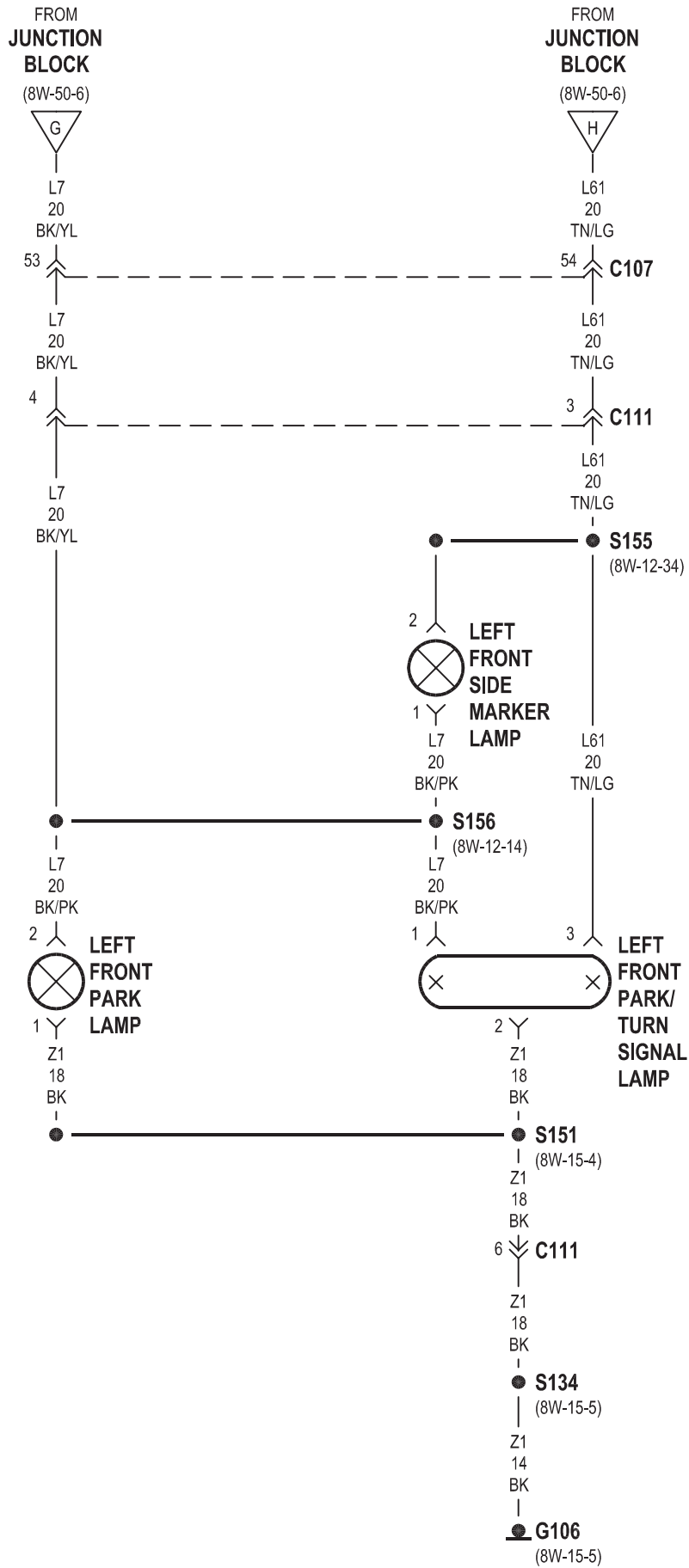


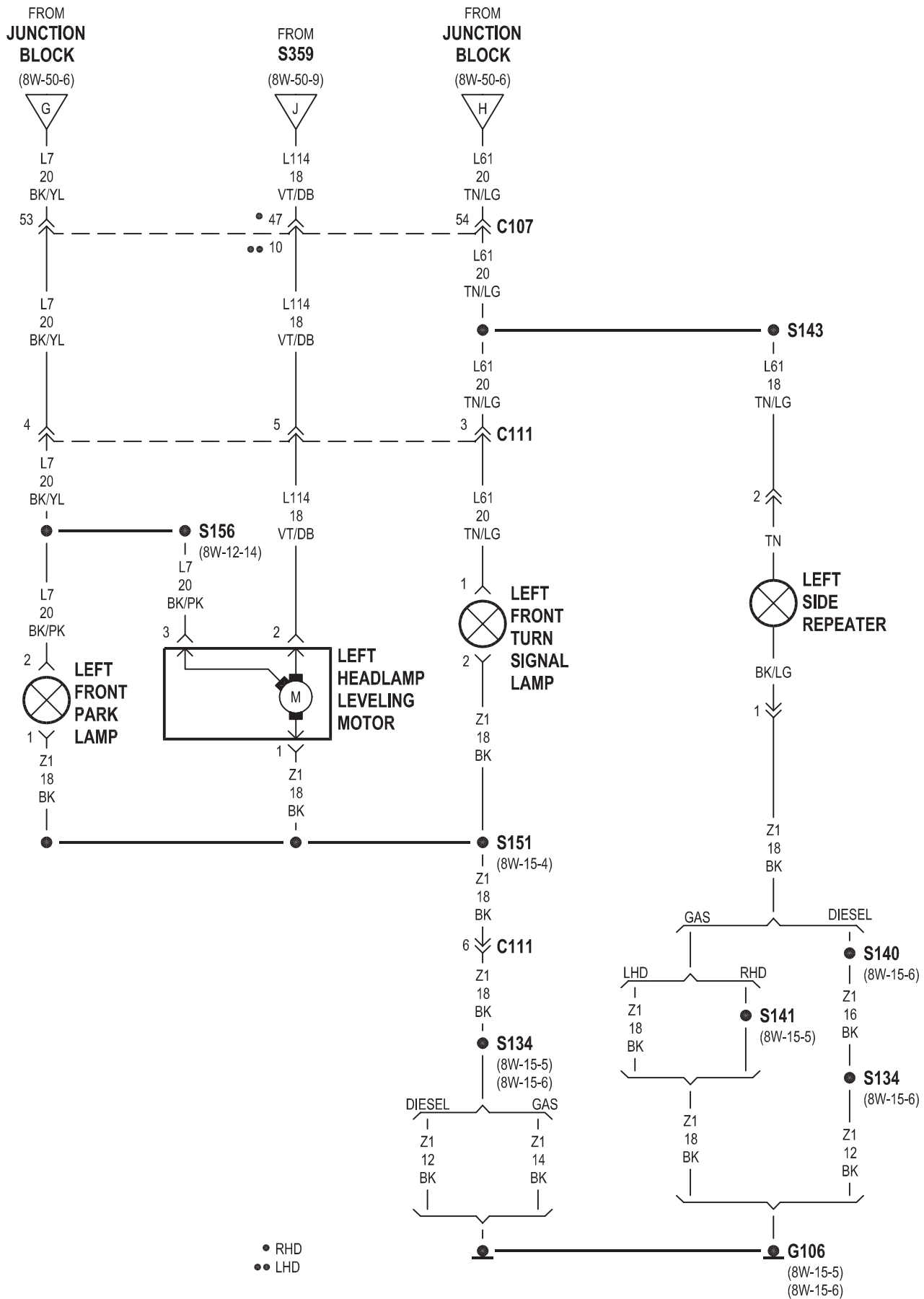


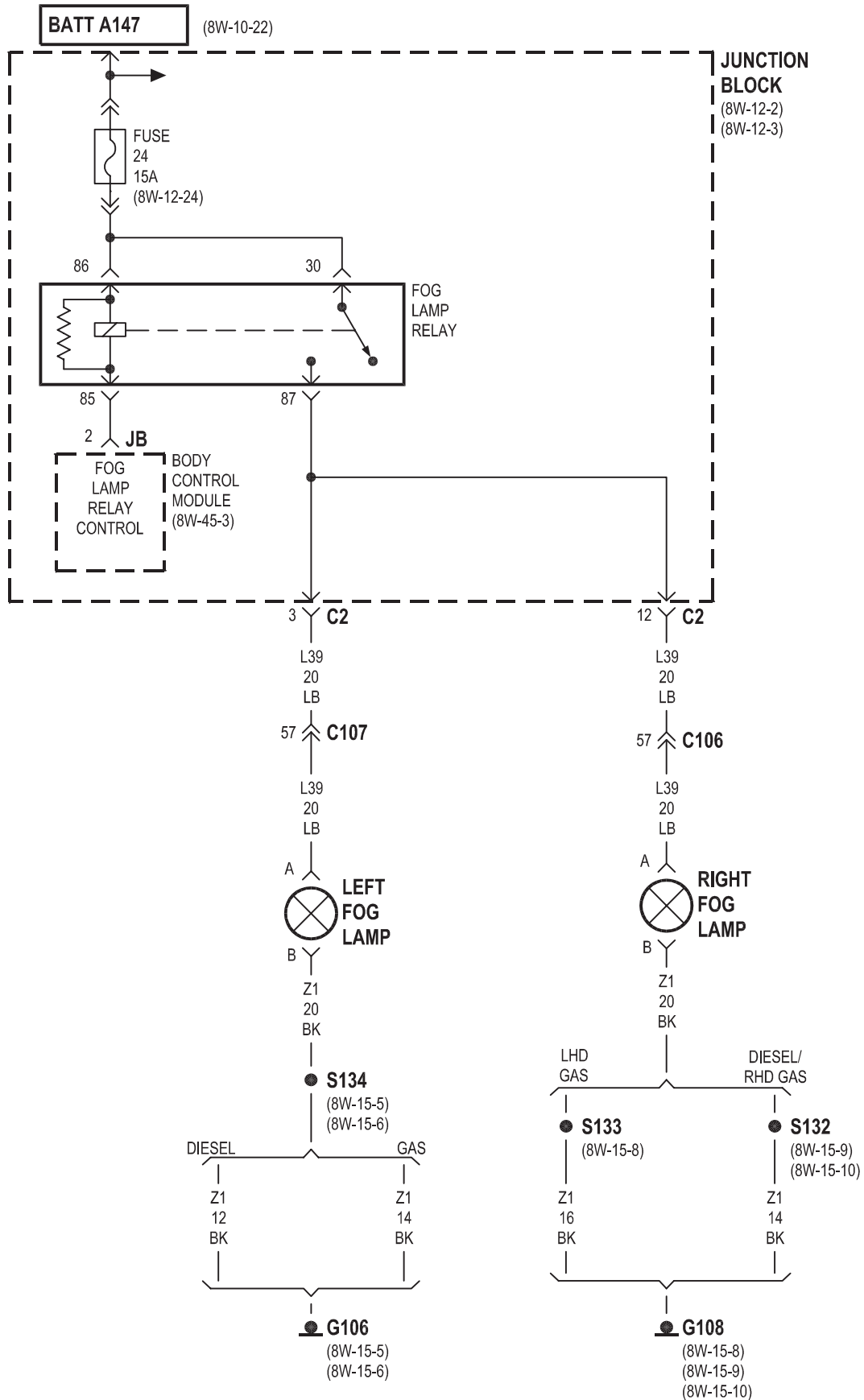




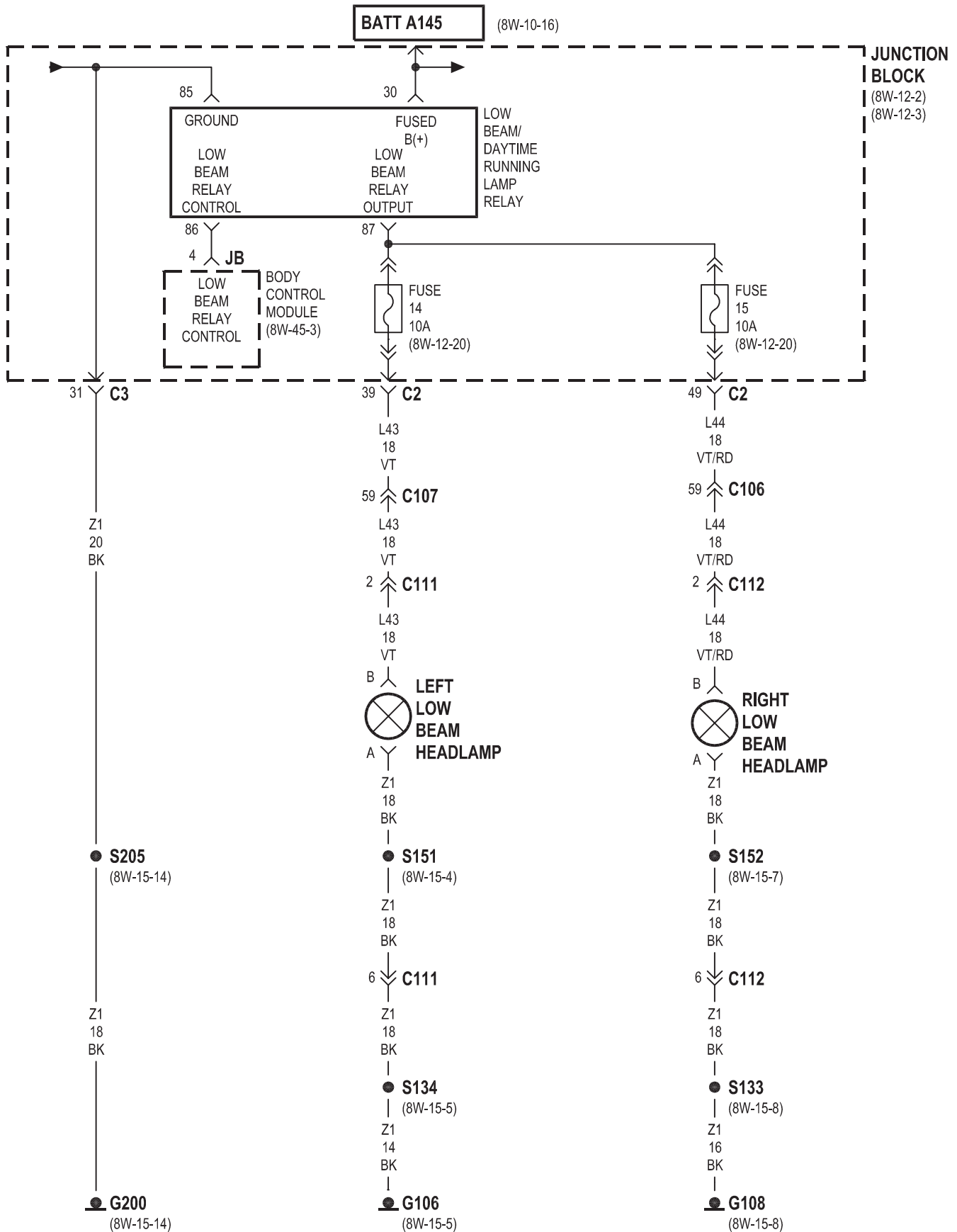






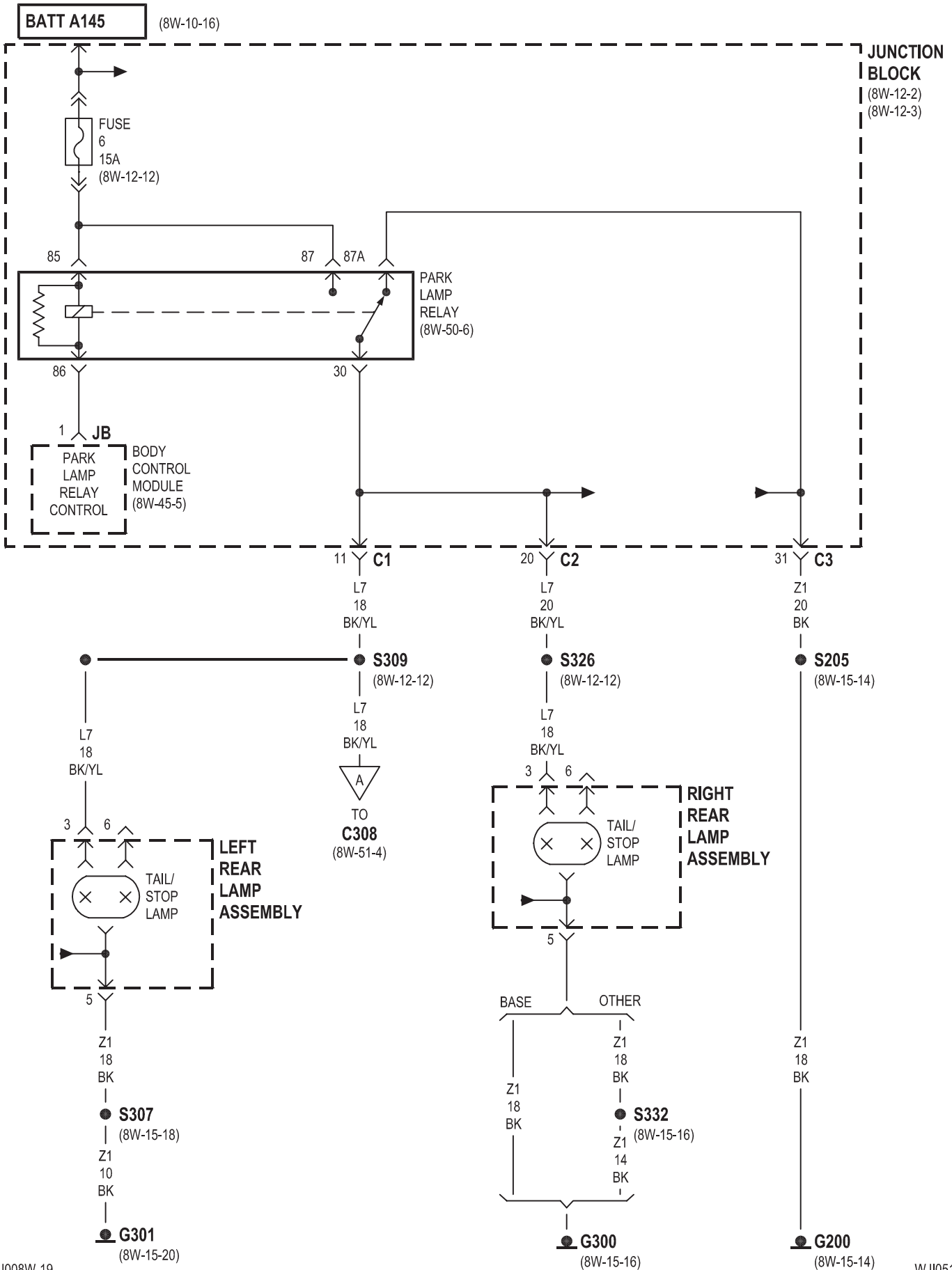


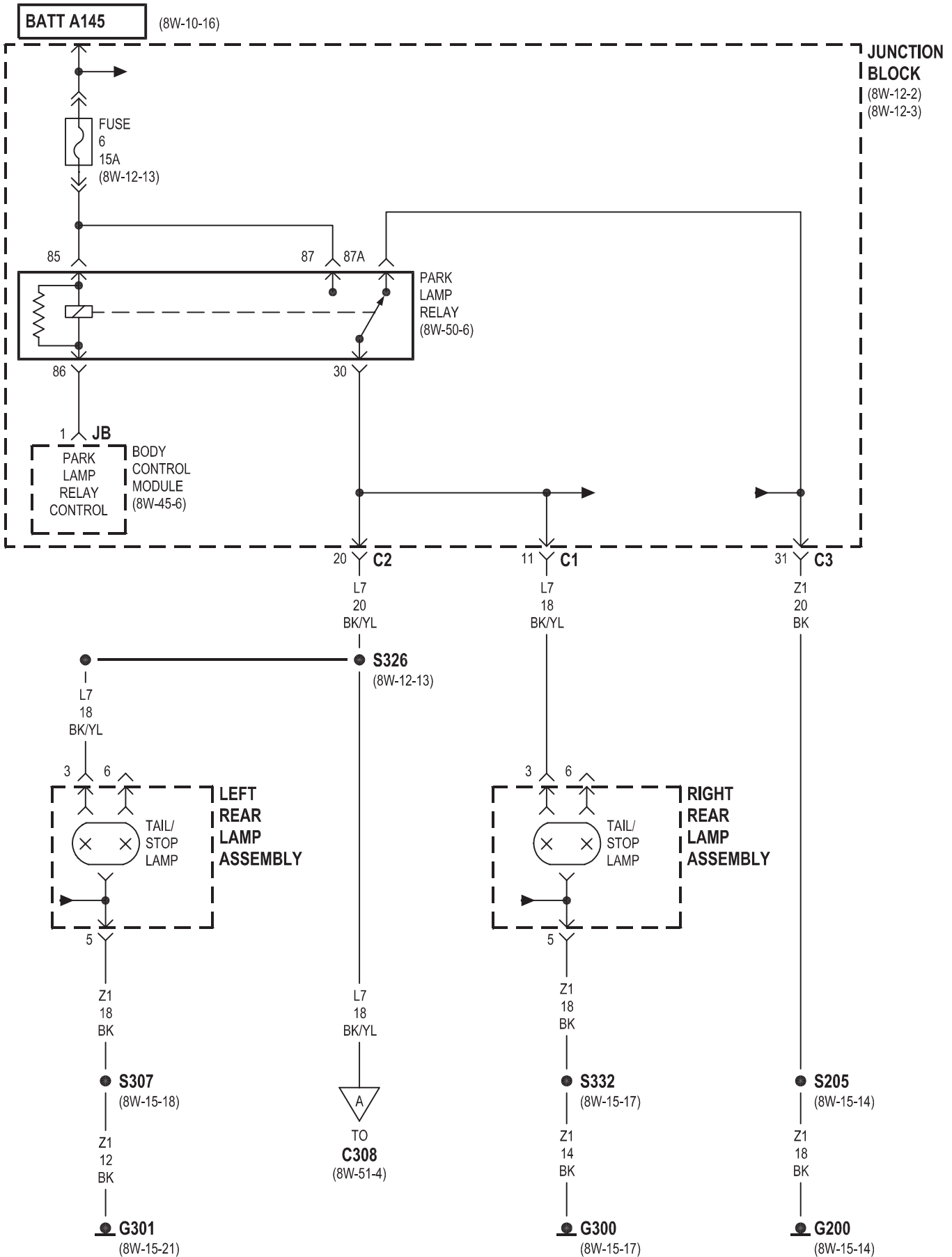
DRL

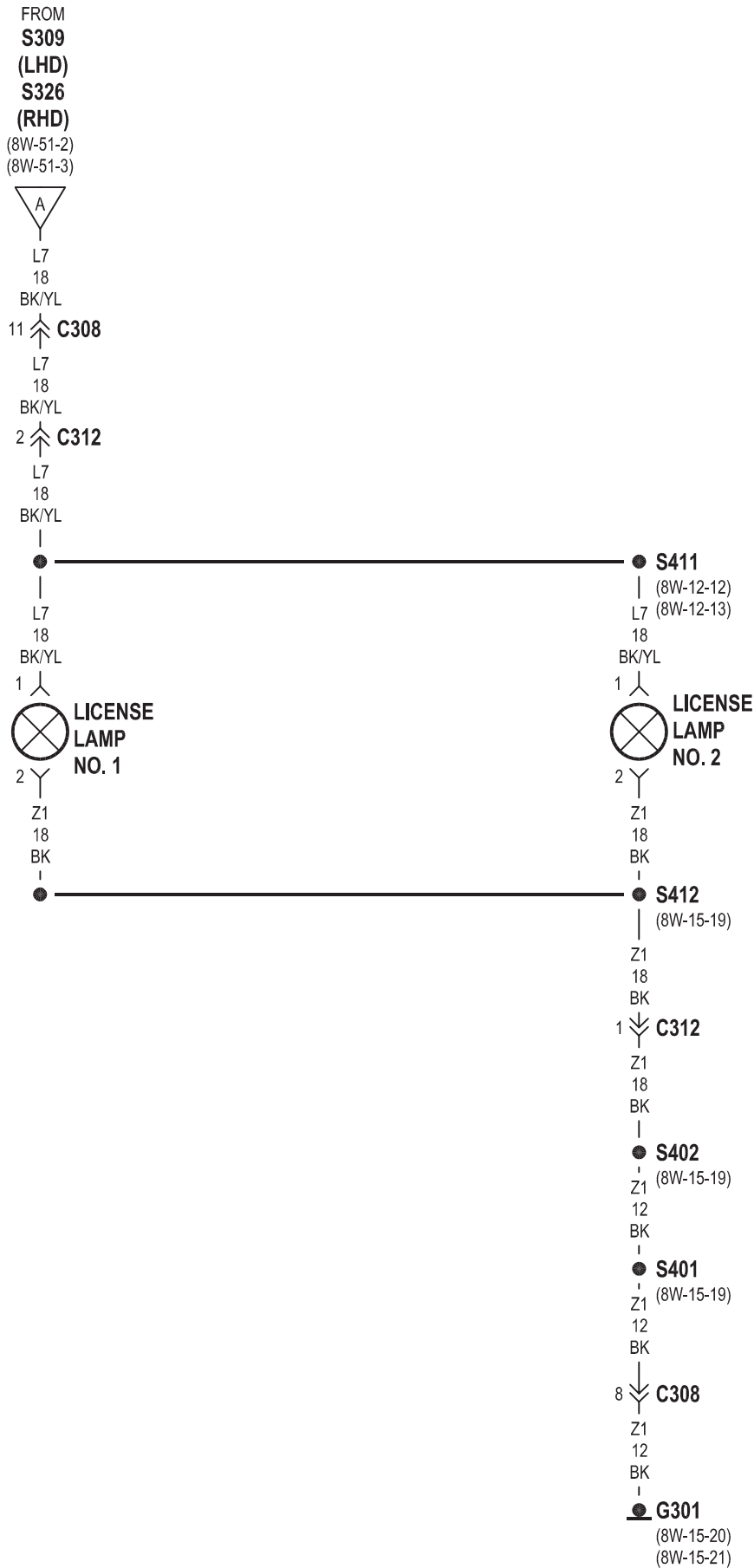


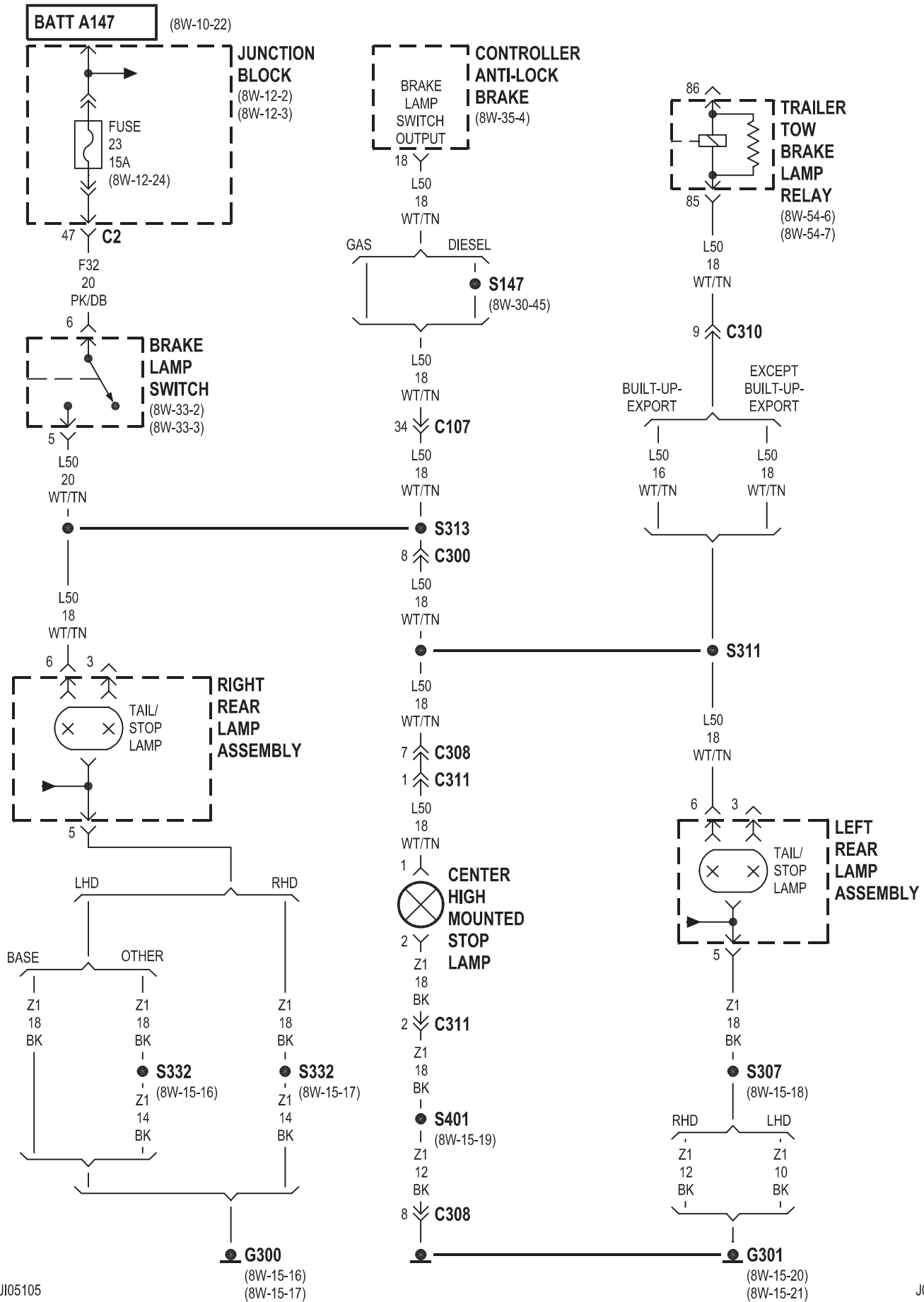
8W-51 REAR LIGHTING

Component	Page	Component	Page
Automatic Day/Night Mirror	8W-51-6, 7	Left Rear Fog Lamp	8W-51-8
Back-Up Lamp	8W-51-6, 7	Left Rear Lamp Assembly	8W-51-2, 3, 5, 6, 7, 8
Body Control Module	8W-51-2, 3, 8	License Lamp No. 1	8W-51-4
Brake Lamp Switch	8W-51-5	License Lamp No. 2	8W-51-4
Center High Mounted Stop Lamp	8W-51-5	Park Lamp Relay	8W-51-2, 3
Controller Anti-Lock Brake	8W-51-5	Park/Neutral Position Switch	8W-51-6, 7
Fuse 6 (JB)	8W-51-2, 3	Rear Fog Lamp Relay	8W-51-8
Fuse 23 (JB)	8W-51-5	Right Rear Fog Lamp	8W-51-8
Fuse 27 (JB)	8W-51-8	Right Rear Lamp Assembly	8W-51-2, 3, 5, 6, 7, 8
G200	8W-51-2, 3	Tail/Stop Lamp	8W-51-2, 3, 5
G300	8W-51-2, 3, 5, 6, 7, 8	Trailer Tow Brake Lamp Relay	8W-51-5
G301	8W-51-2, 3, 4, 5, 6, 7, 8	Trailer Tow Connector	8W-51-6, 7, 8
Junction Block	8W-51-2, 3, 5, 8	Transmission Solenoid/TRS Assembly	8W-51-6, 7

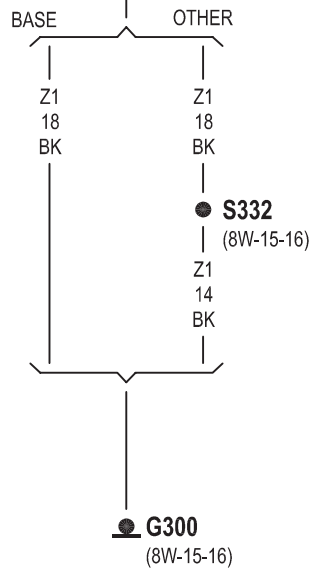
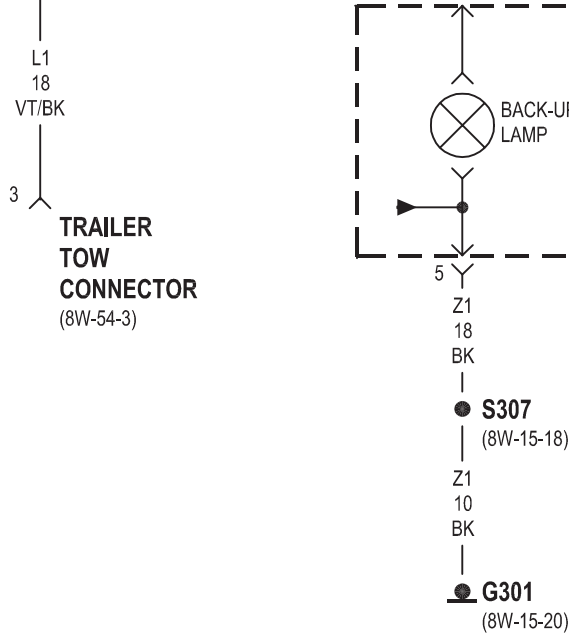
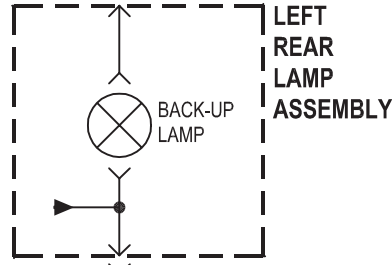
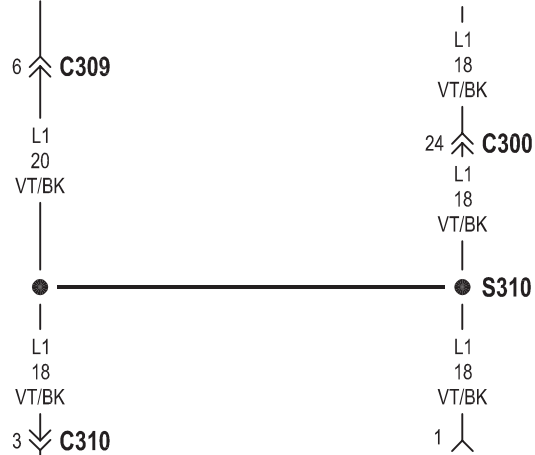
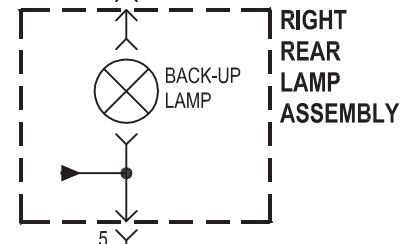
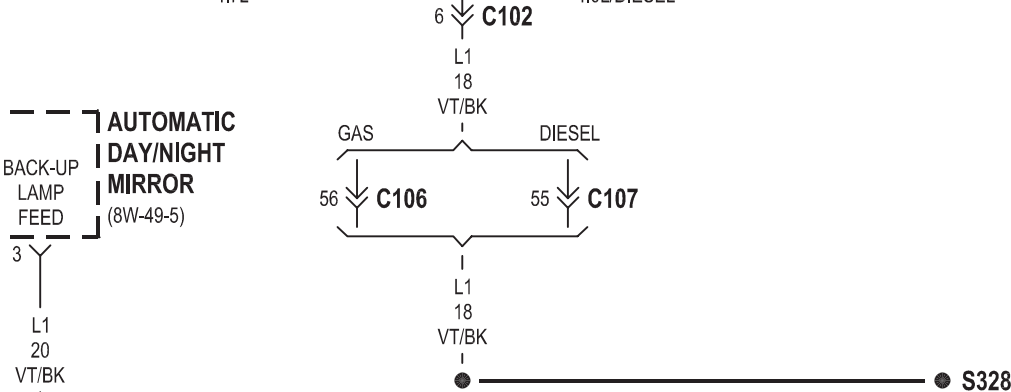
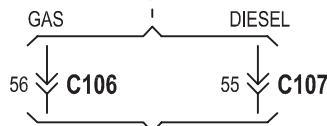
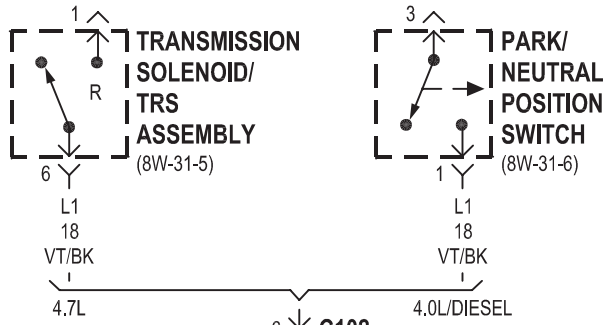




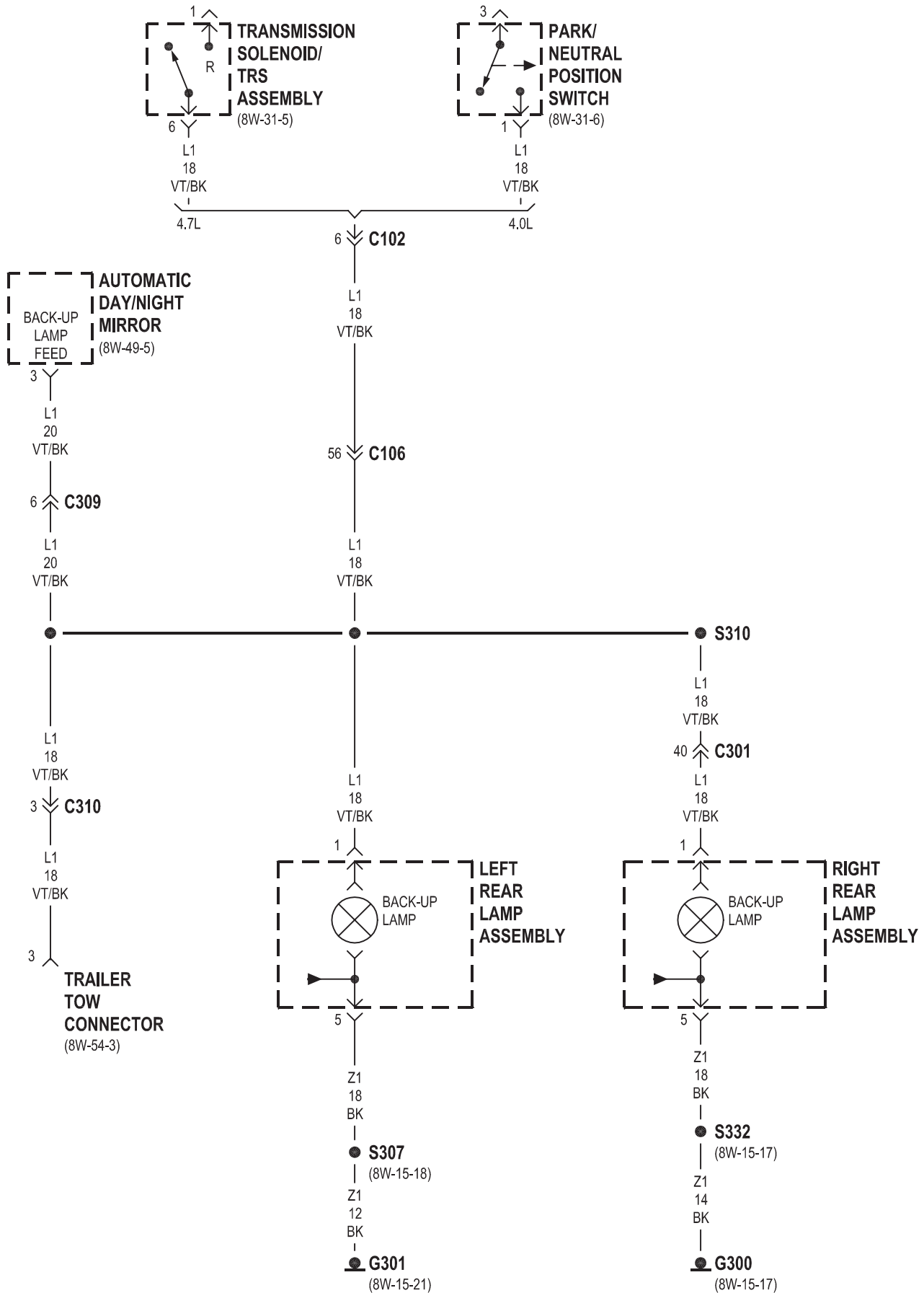


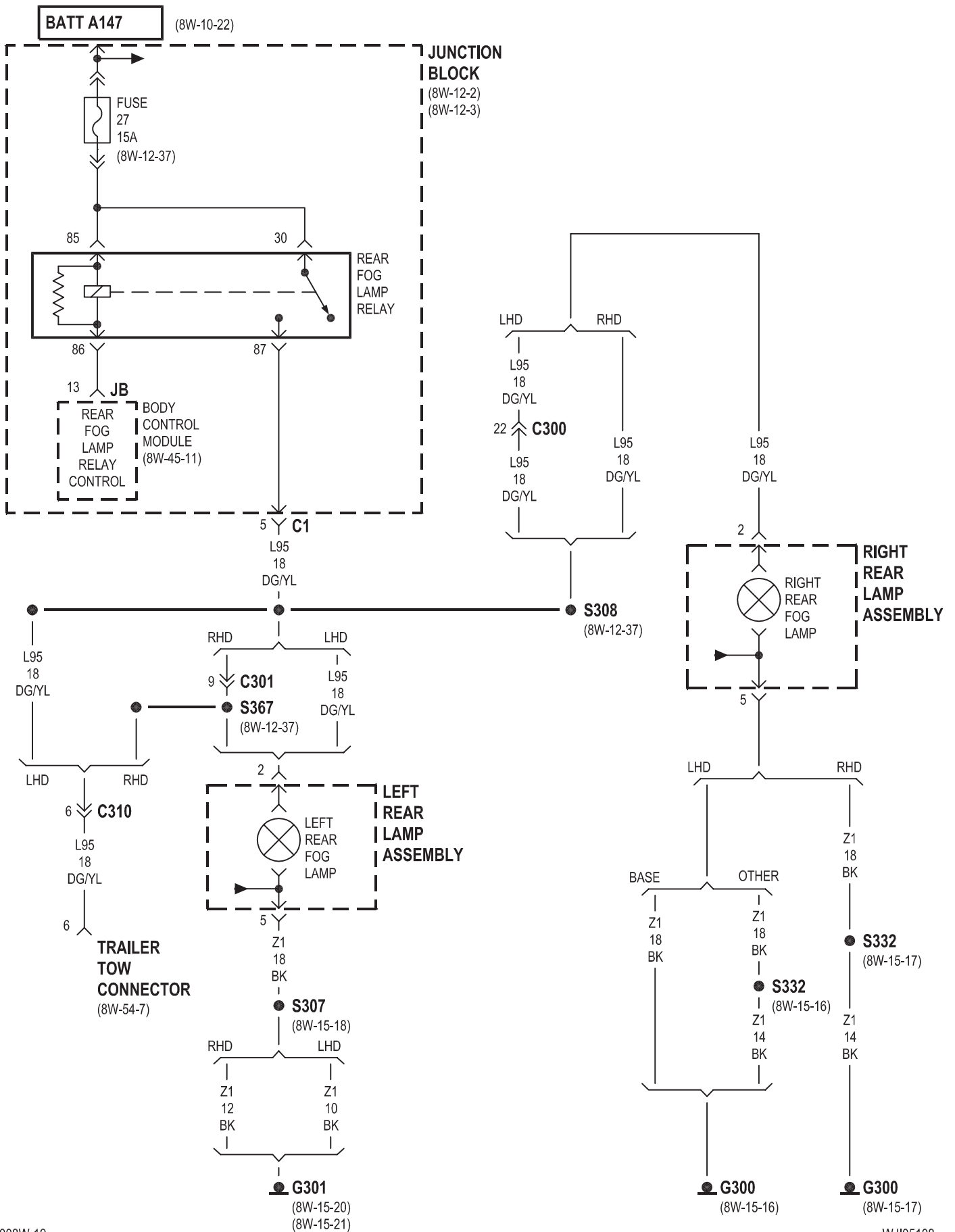


LHD



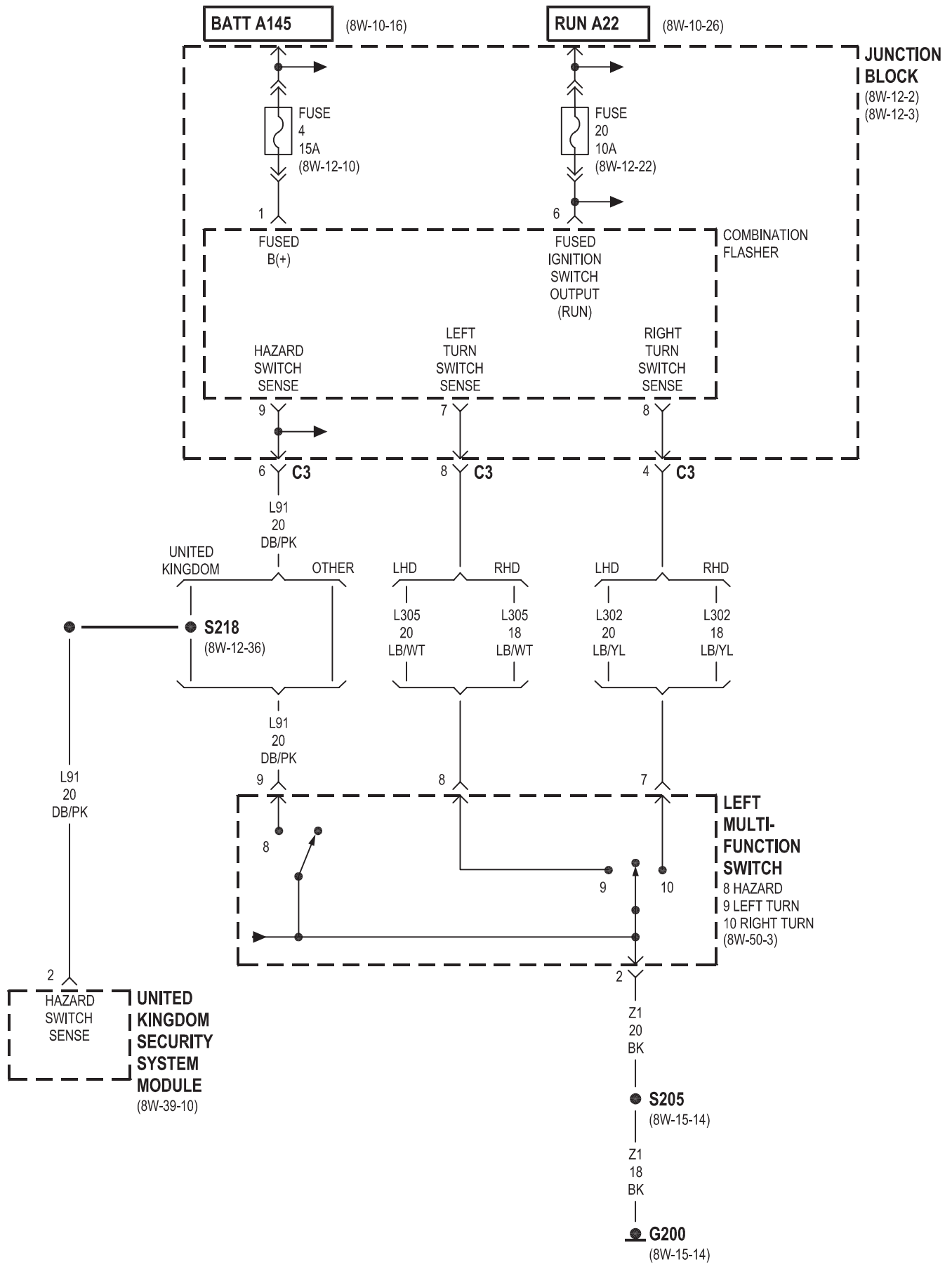
RHD

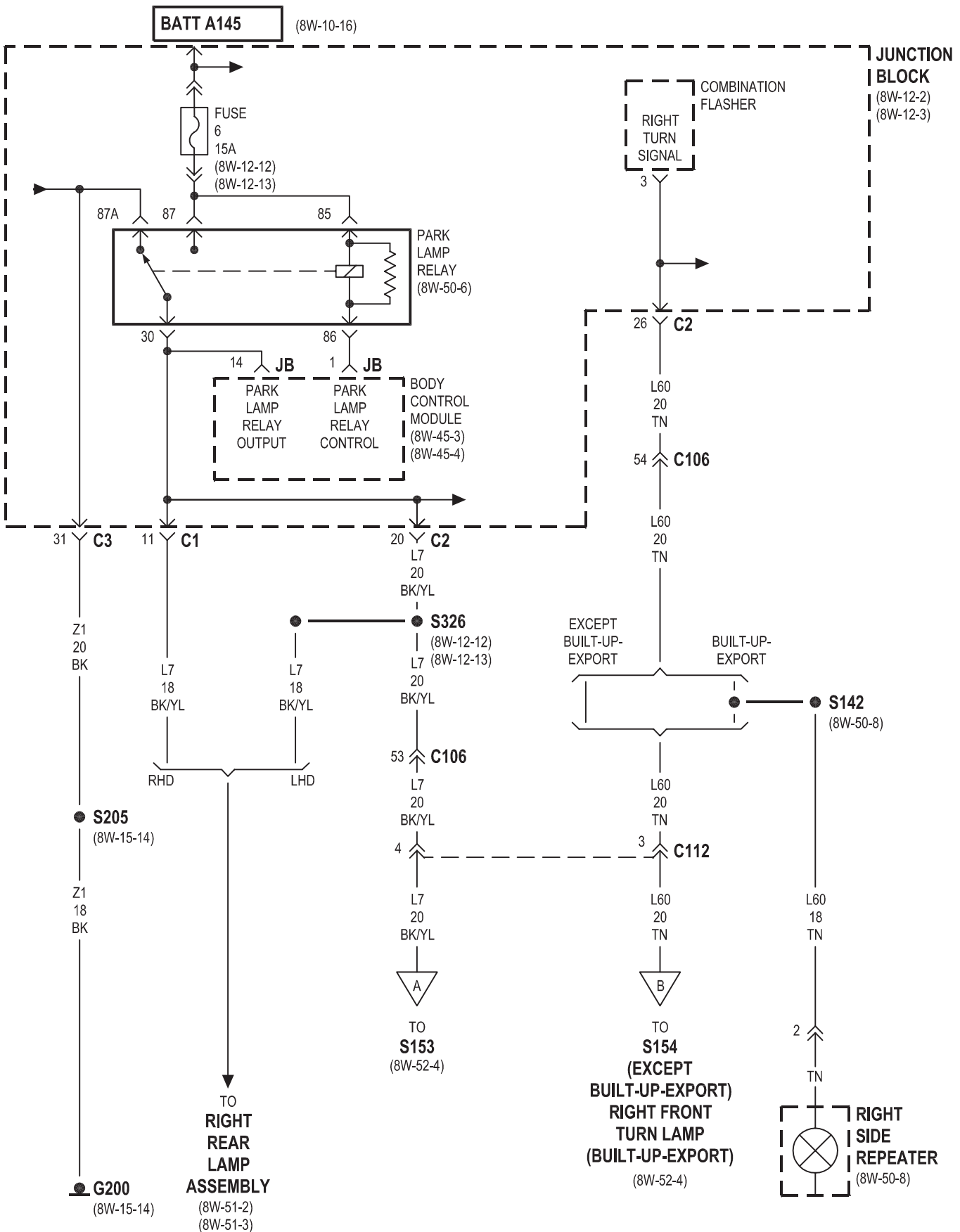


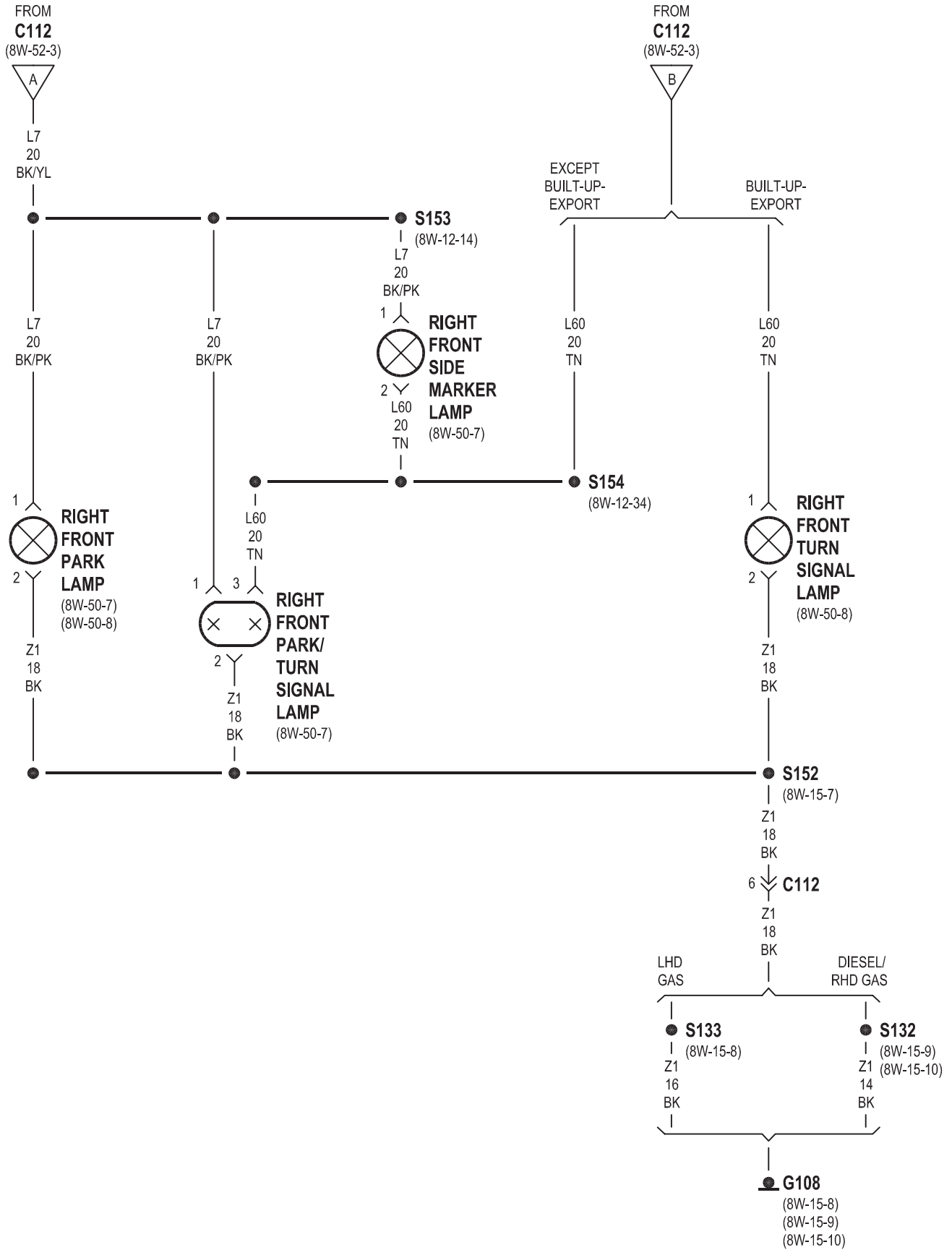


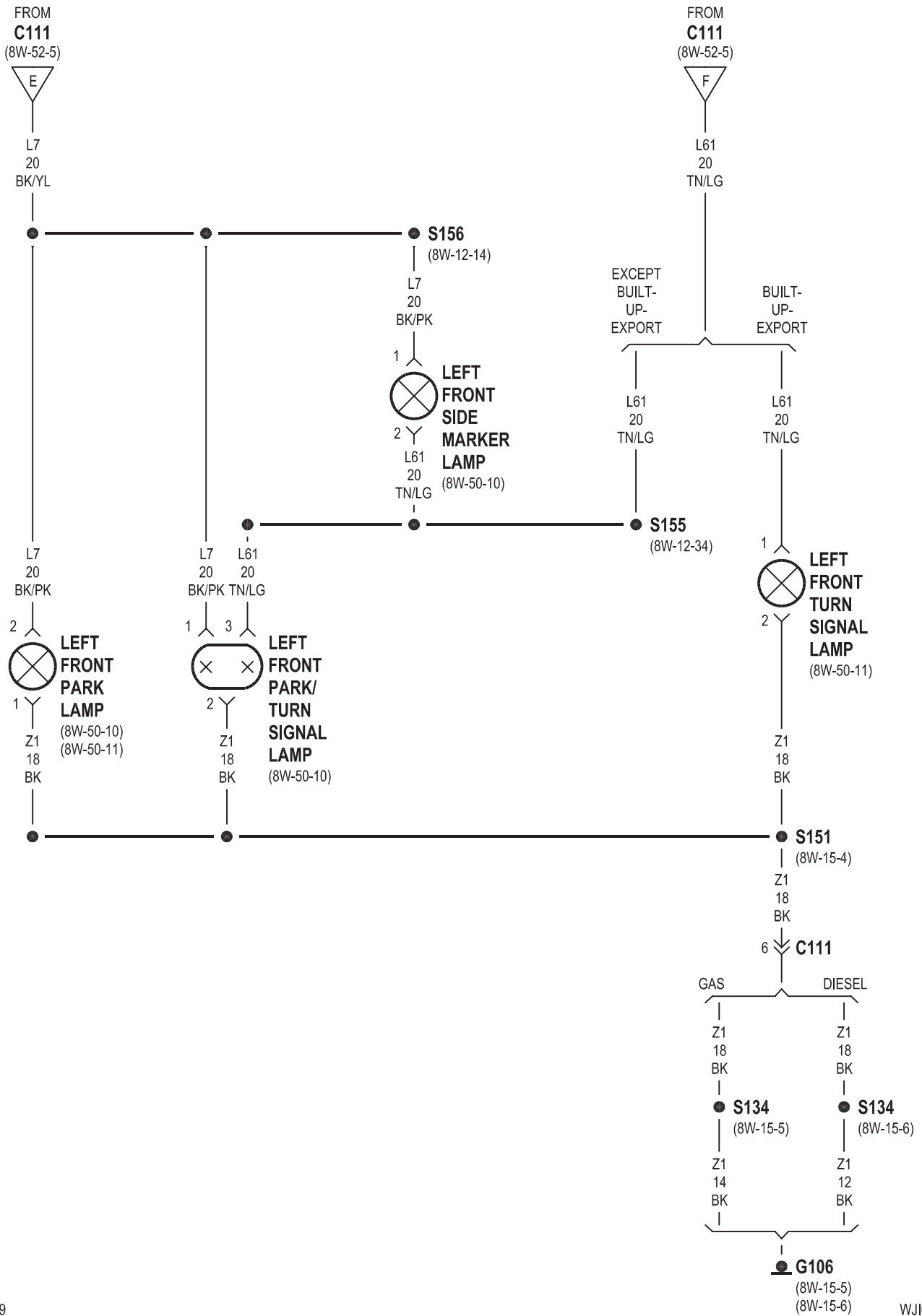
8W-52 TURN SIGNALS

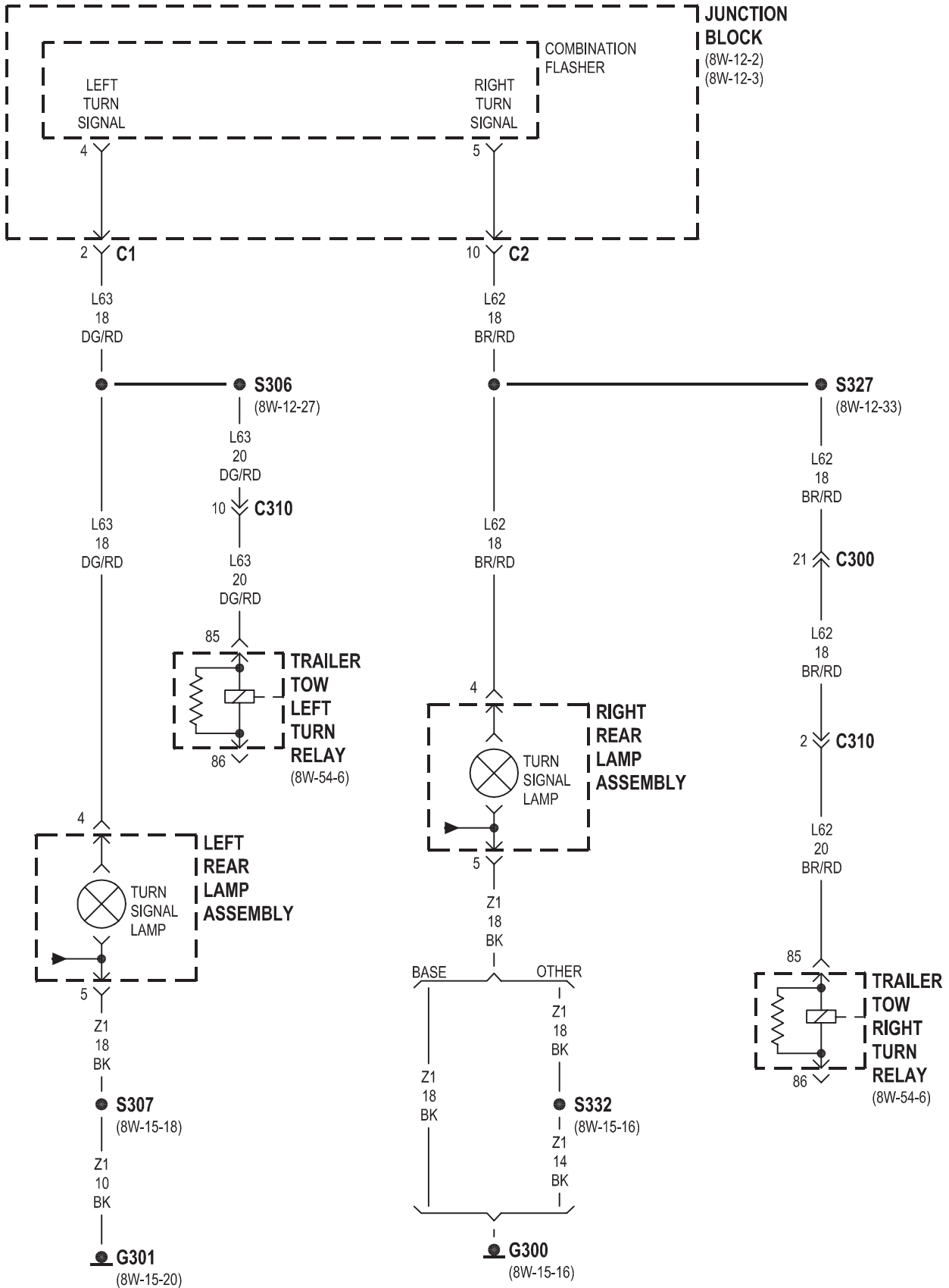
Component	Page	Component	Page
Body Control Module	8W-52-3, 5	Left Multi- Function Switch	8W-52-2
Combination Flasher	8W-52-2, 3, 5, 7, 8	Left Rear Lamp Assembly	8W-52-7, 8
Fuse 4 (JB)	8W-52-2	Left Side Repeater	8W-52-5
Fuse 6 (JB)	8W-52-3, 5	Park Lamp Relay	8W-52-3, 5
Fuse 20 (JB)	8W-52-2	Right Front Park Lamp	8W-52-4
G106	8W-52-6	Right Front Park/Turn Signal Lamp	8W-52-4
G108	8W-52-4	Right Front Side Marker Lamp	8W-52-4
G200	8W-52-2, 3, 5	Right Front Turn Signal Lamp	8W-52-4
G300	8W-52-7, 8	Right Rear Lamp Assembly	8W-52-3, 7, 8
G301	8W-52-7, 8	Right Side Repeater	8W-52-3
Junction Block	8W-52-2, 3, 5, 7, 8	Trailer Tow Left Turn Relay	8W-52-7, 8
Left Front Park Lamp	8W-52-6	Trailer Tow Right Turn Relay	8W-52-7, 8
Left Front Park/Turn Signal Lamp	8W-52-6	Turn Signal Lamp	8W-52-7, 8
Left Front Side Marker Lamp	8W-52-6	United Kingdom Security System Module	8W-52-2
Left Front Turn Signal Lamp	8W-52-6		



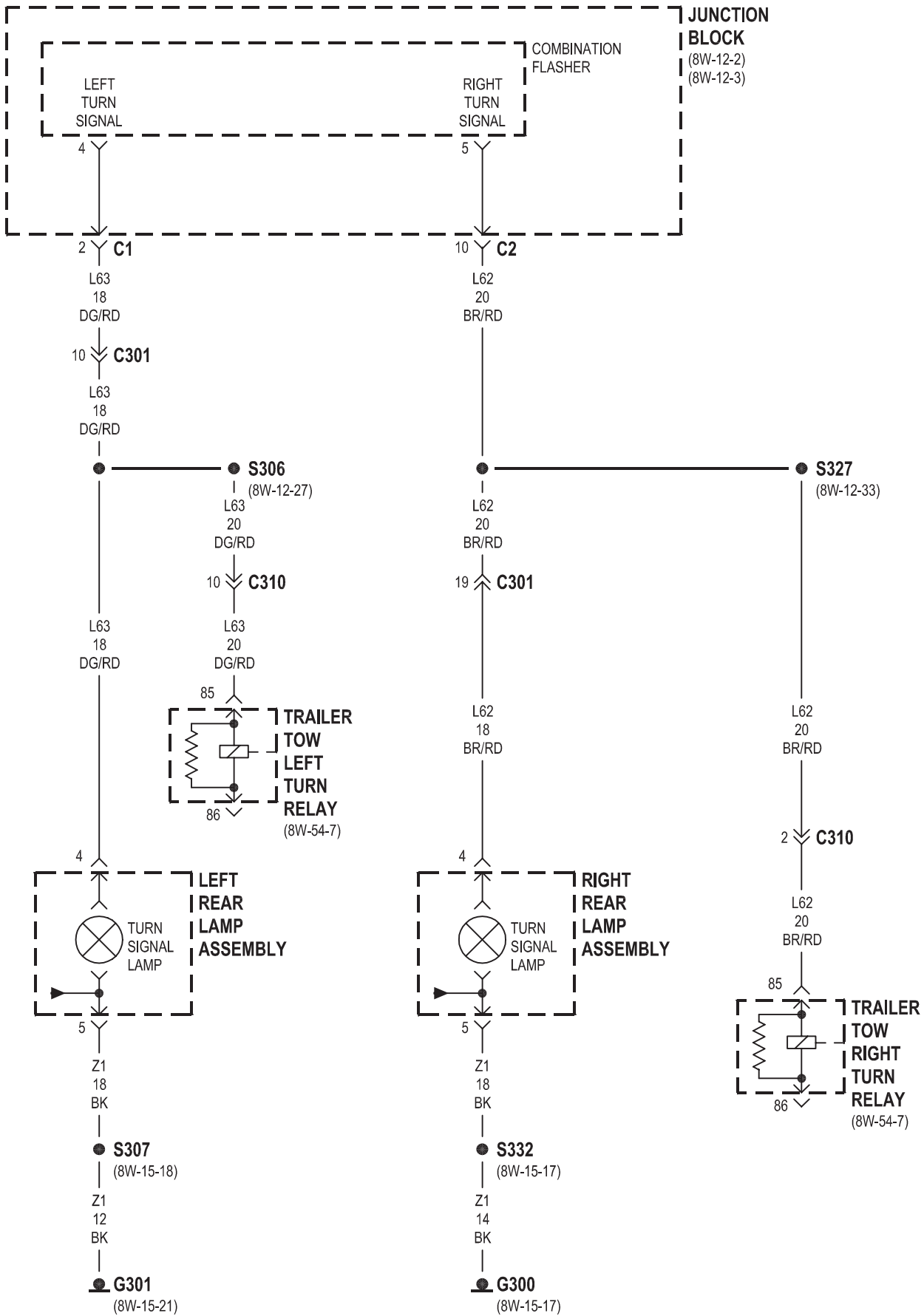






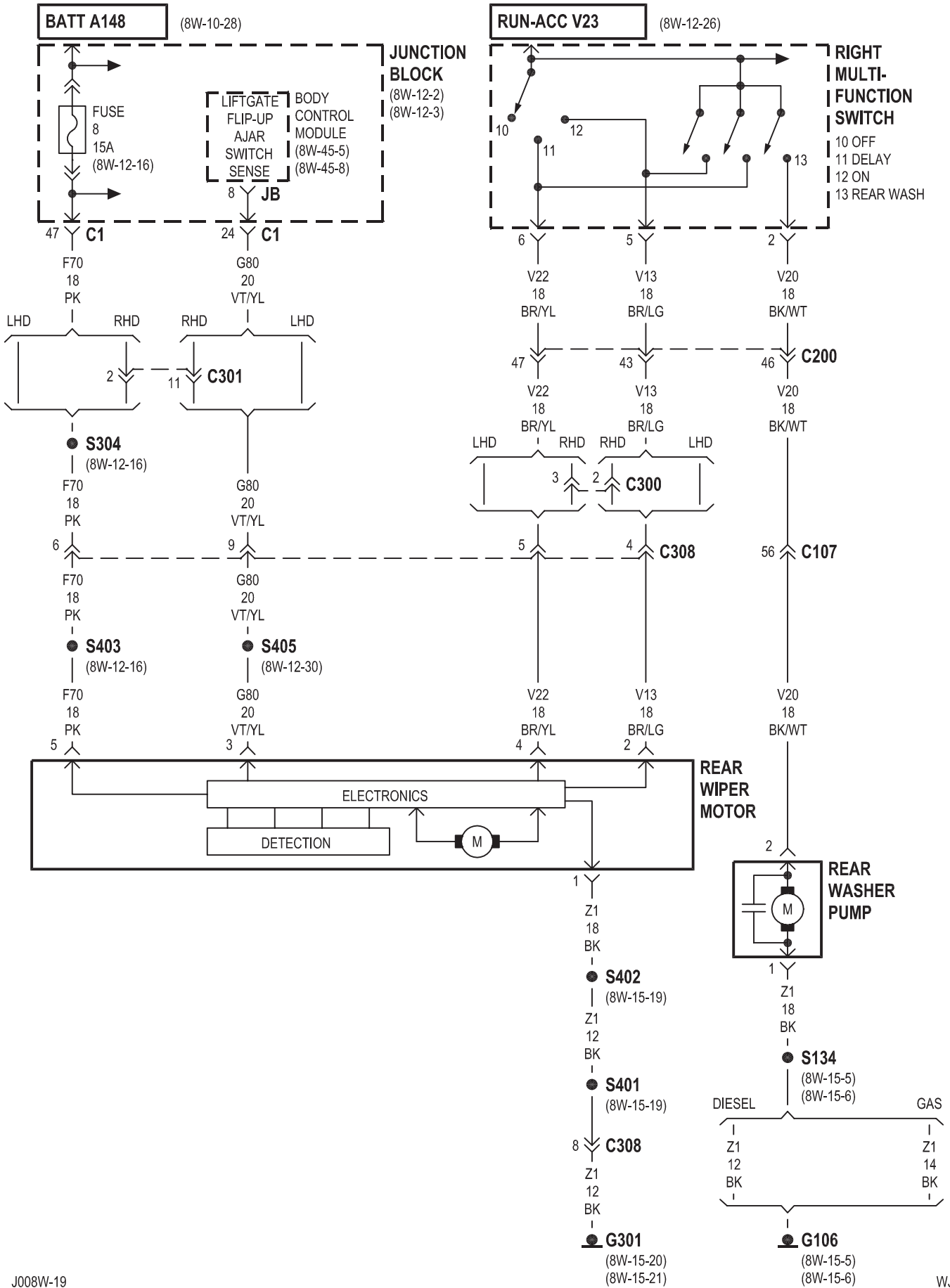


RHD



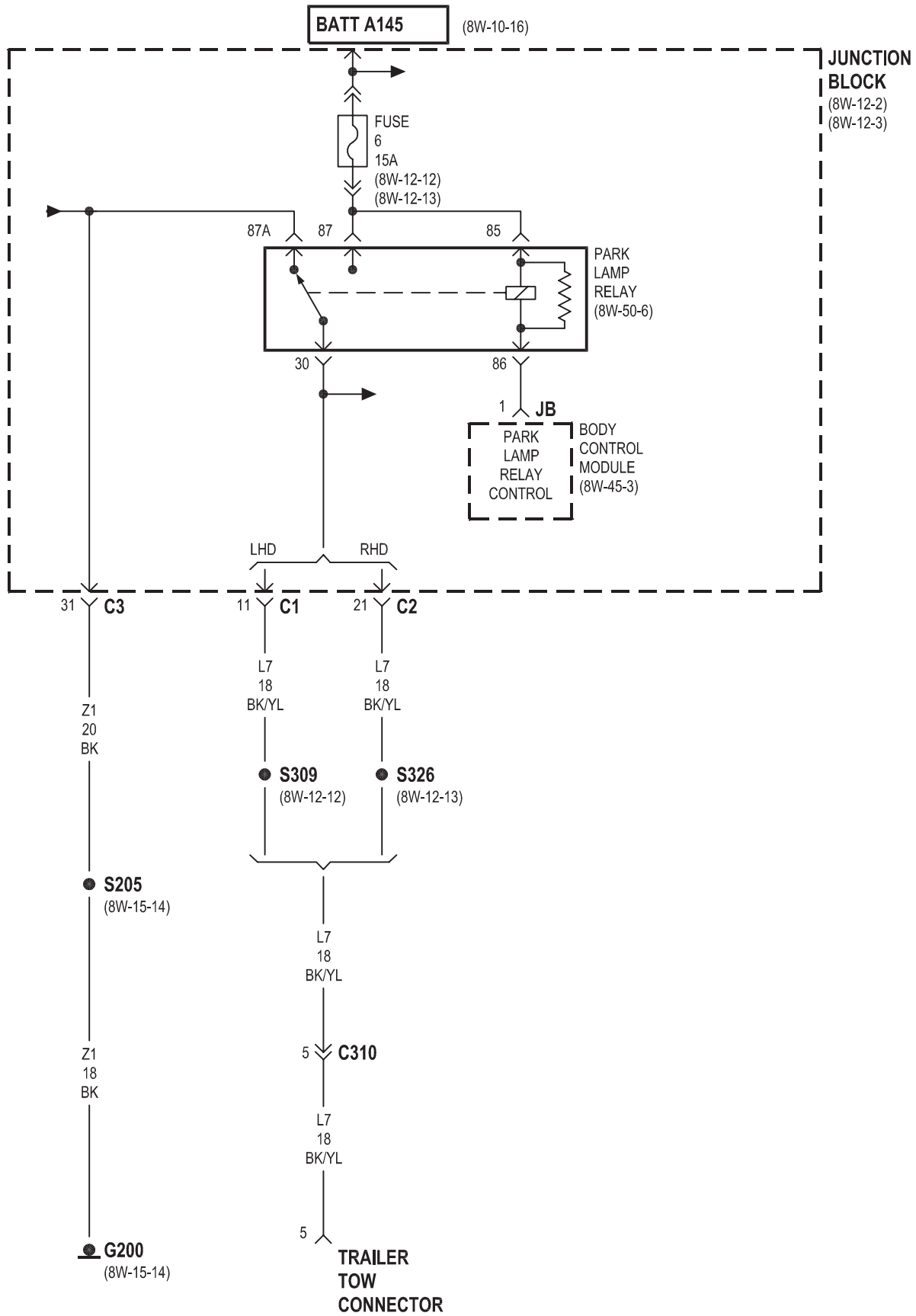
8W-53 WIPERS

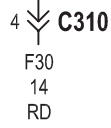
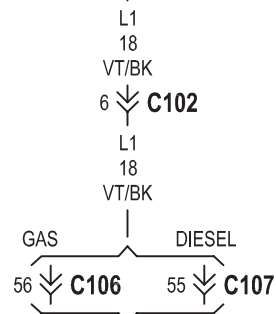
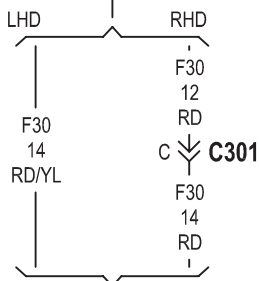
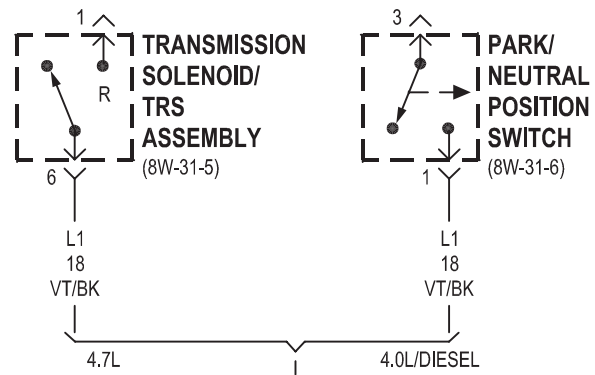
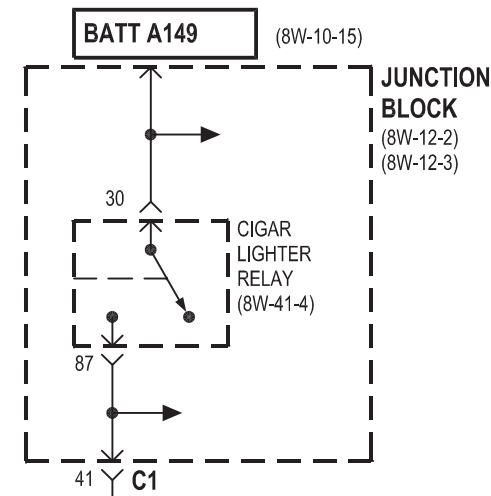
Component	Page	Component	Page
Body Control Module	8W-53-2, 3, 4, 5, 6	Rear Washer Pump	8W-53-6
Circuit Breaker No. 1	8W-53-4, 5	Rear Wiper Motor	8W-53-6
Fuse 8 (JB)	8W-53-6	Right Multi- Function Switch	8W-53-2, 3, 4, 5, 6
Fuse 29 (JB)	8W-53-2, 3	Washer Fluid Level Switch	8W-53-2, 3
G106	8W-53-2, 3, 4, 5, 6	Windshield Washer Pump	8W-53-2, 3
G108	8W-53-4	Windshield Wiper Motor	8W-53-4, 5
G301	8W-53-6	Wiper High/Low Relay	8W-53-2, 3, 4, 5
Junction Block	8W-53-2, 3, 4, 5, 6	Wiper On/Off Relay	8W-53-4, 5



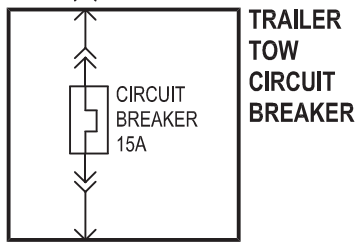
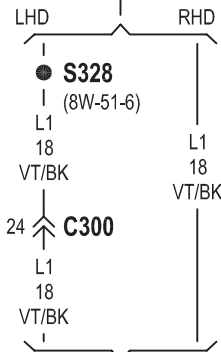
8W-54 TRAILER TOW

Component	Page	Component	Page
Body Control Module	8W-54-2	Park Lamp Relay	8W-54-2
Brake Lamp Switch	8W-54-4, 5	Park/Neutral Position Switch	8W-54-3
Cigar Lighter Relay	8W-54-3	Rear Fog Lamp Relay	8W-54-7
Circuit Breaker	8W-54-3	Trailer Tow Brake Lamp Relay	8W-54-6, 7
Combination Flasher	8W-54-4, 5	Trailer Tow Circuit Breaker	8W-54-3
Fuse 6 (JB)	8W-54-2	Trailer Tow Connector	8W-54-2, 3, 6, 7
Fuse 18 (JB)	8W-54-4, 5	Trailer Tow Electric Brake Provision	8W-54-3
G200	8W-54-2	Trailer Tow Left Turn Relay	8W-54-6, 7
G301	8W-54-4, 5	Trailer Tow Right Turn Relay	8W-54-6, 7
Junction Block	8W-54-2, 3, 4, 5, 7	Transmission Solenoid/TRS Assembly	8W-54-3

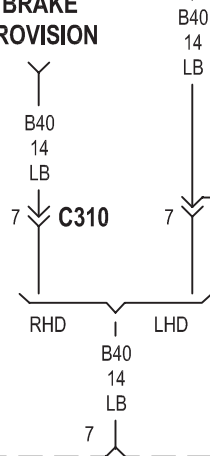




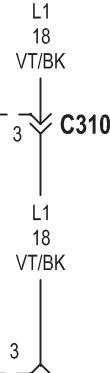
TRAILER TOW ELECTRIC BRAKE PROVISION



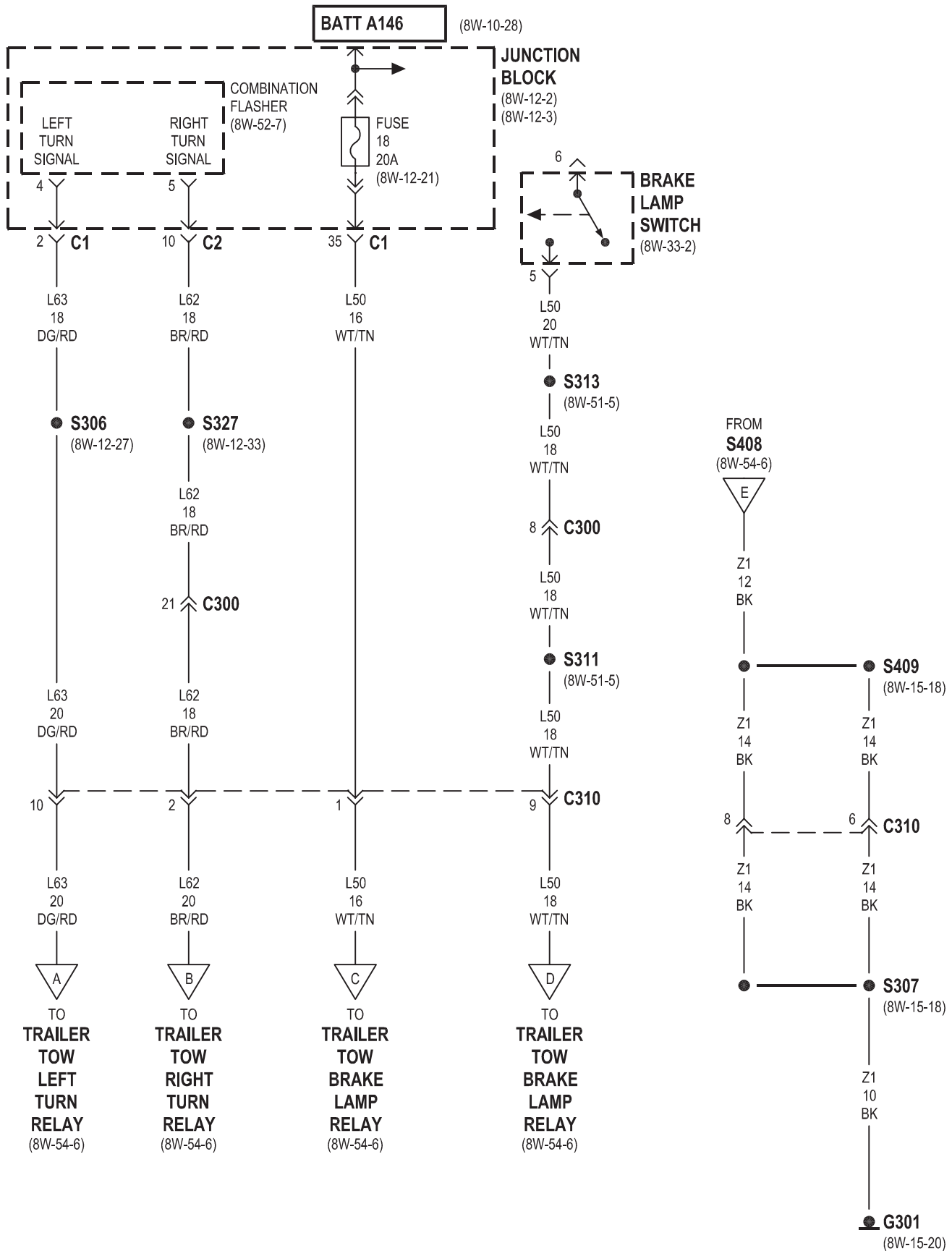
TRAILER TOW ELECTRIC BRAKE PROVISION

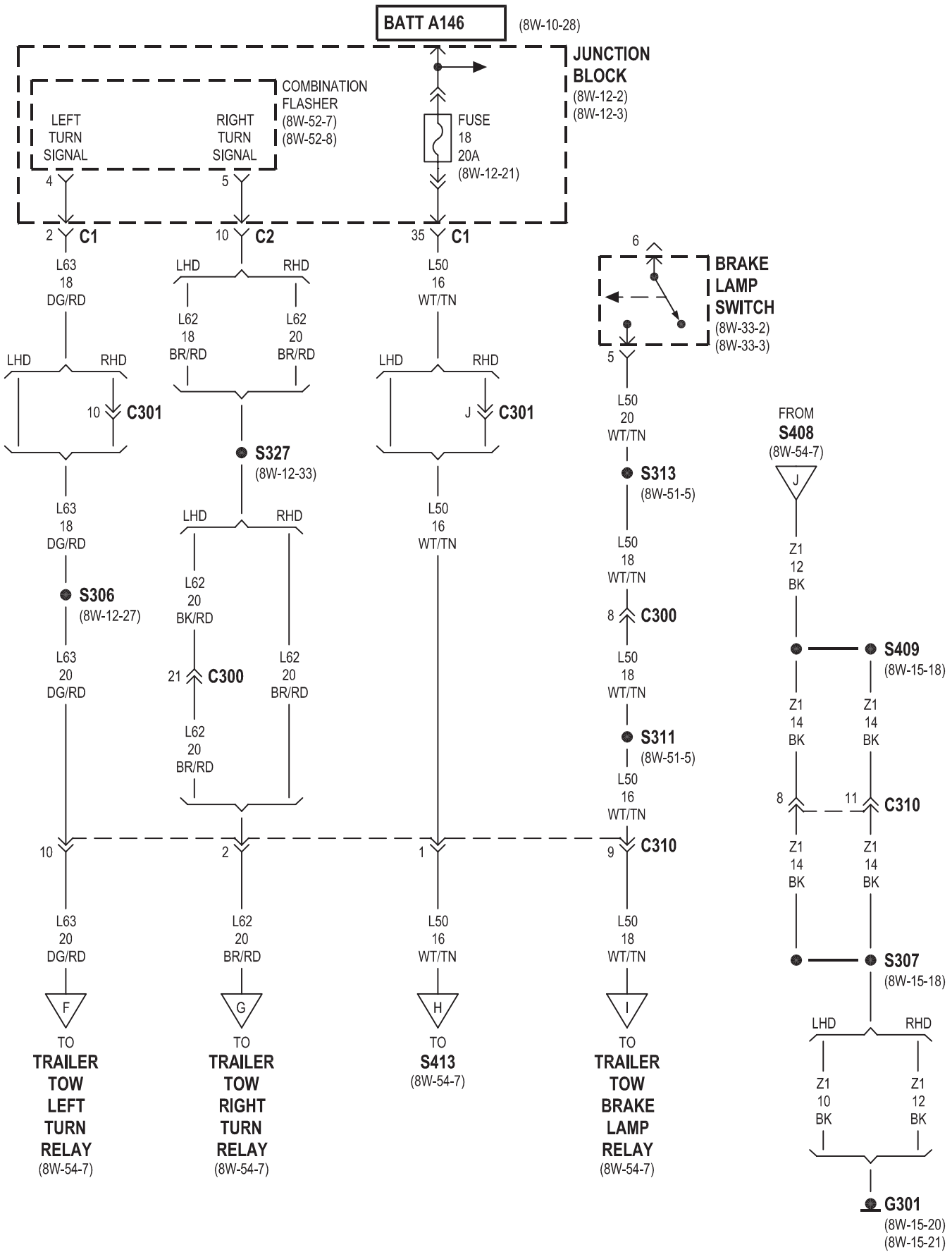


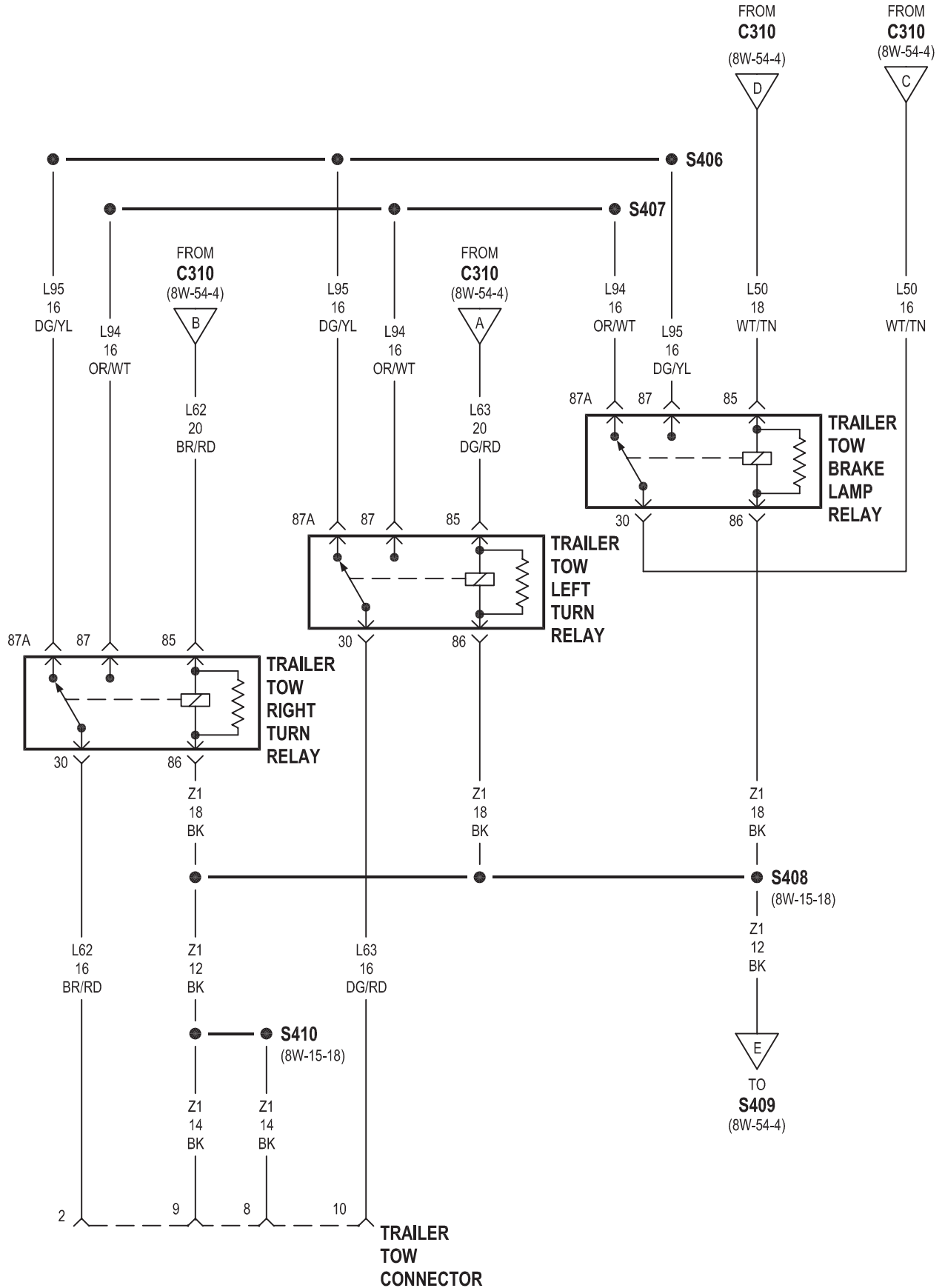
S310 (8W-51-6) (8W-51-7)

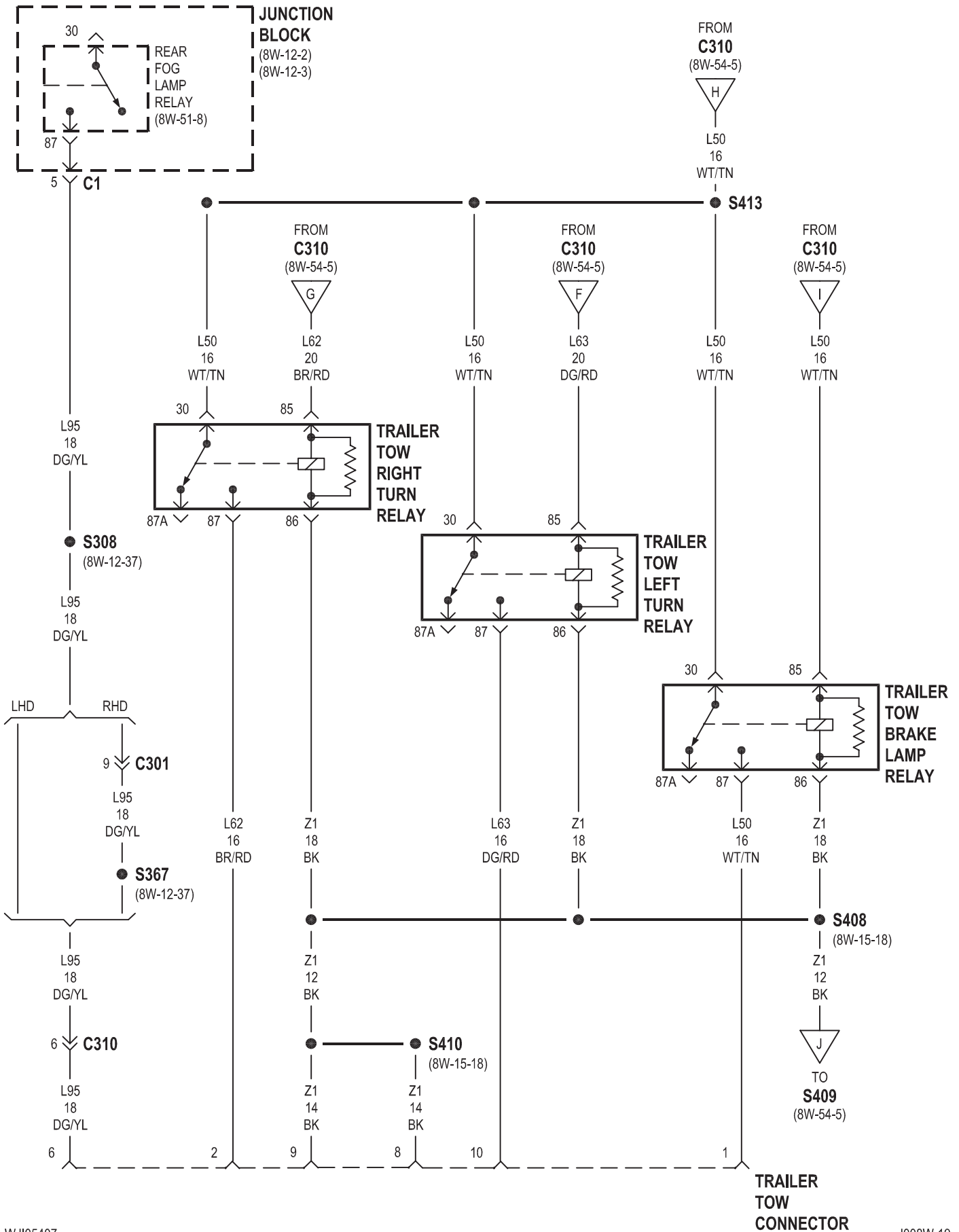


TRAILER TOW CONNECTOR





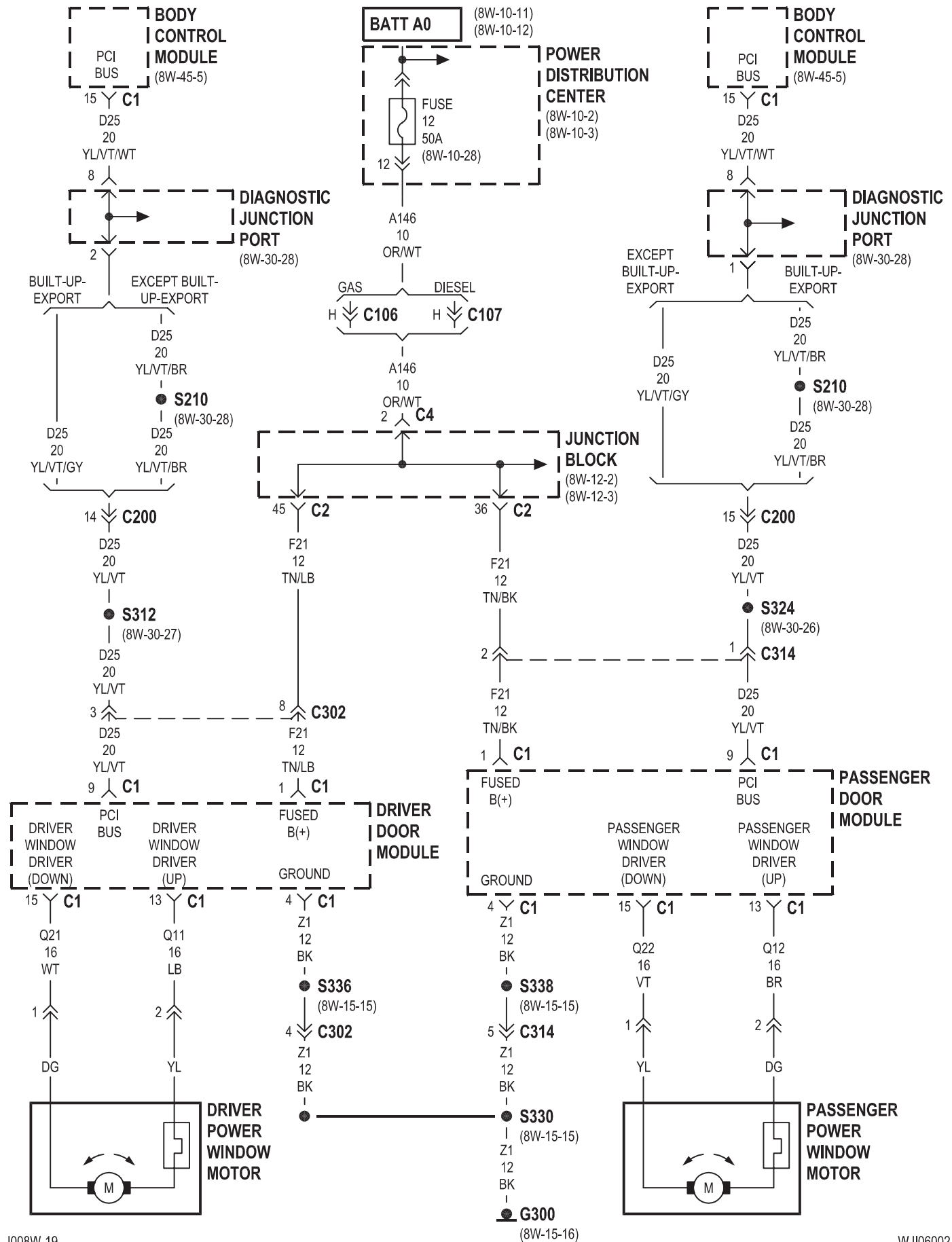




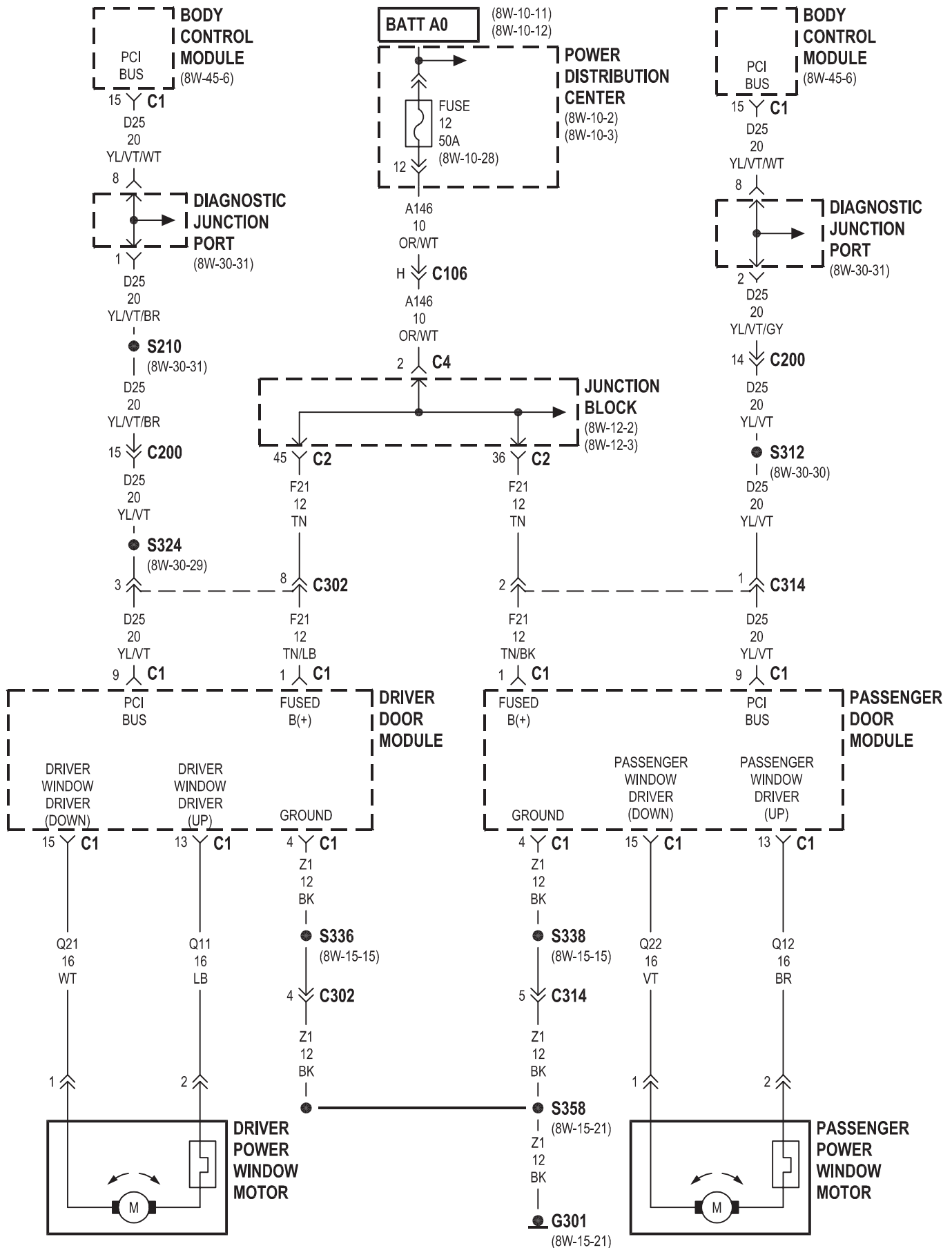
8W-60 POWER WINDOWS

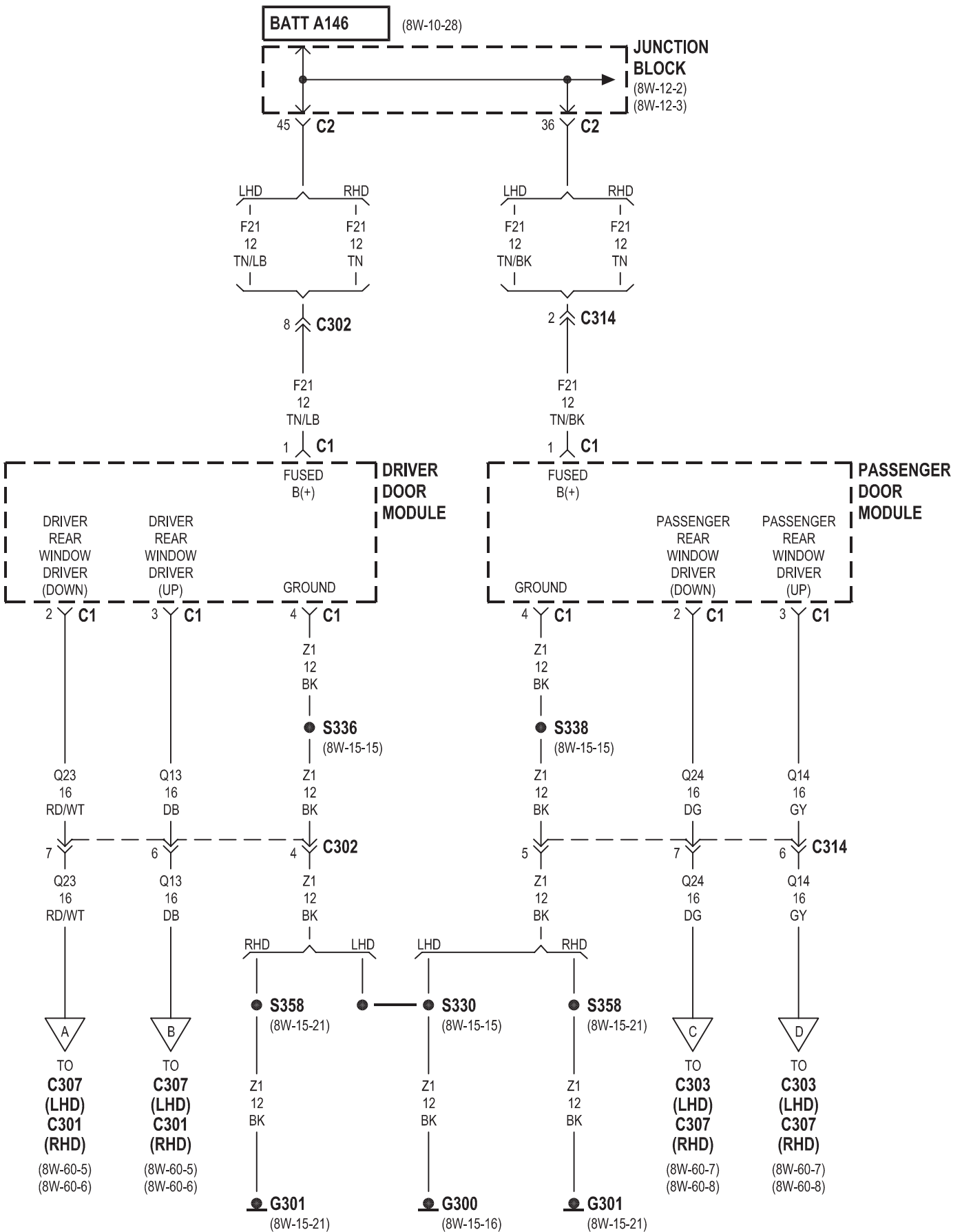
Component	Page	Component	Page
Body Control Module	8W-60-2, 3	Left Rear Power Window Motor	8W-60-5, 8
Diagnostic Junction Port	8W-60-2, 3	Left Rear Power Window Switch	8W-60-5, 8
Driver Door Module	8W-60-2, 3, 4, 5, 6	Passenger Door Module	8W-60-2, 3, 4, 7, 8
Driver Power Window Motor	8W-60-2, 3	Passenger Power Window Motor	8W-60-2, 3
Fuse 12 (PDC)	8W-60-2, 3	Power Distribution Center	8W-60-2, 3
G300	8W-60-2, 4, 6, 7	Right Rear Power Window Motor	8W-60-6, 7
G301	8W-60-3, 4, 5, 8	Right Rear Power Window Switch	8W-60-6, 7
Junction Block	8W-60-2, 3, 4		

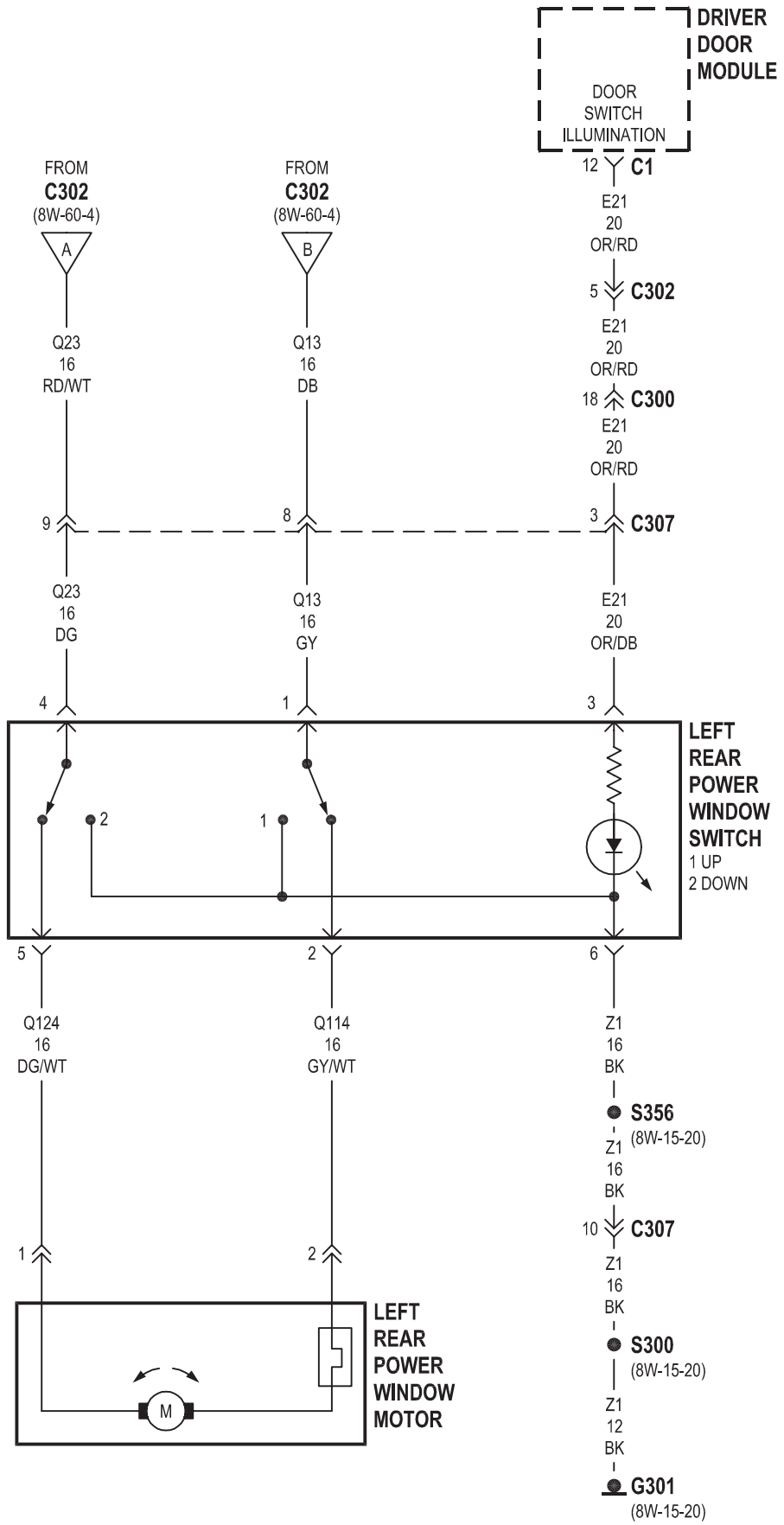
LHD



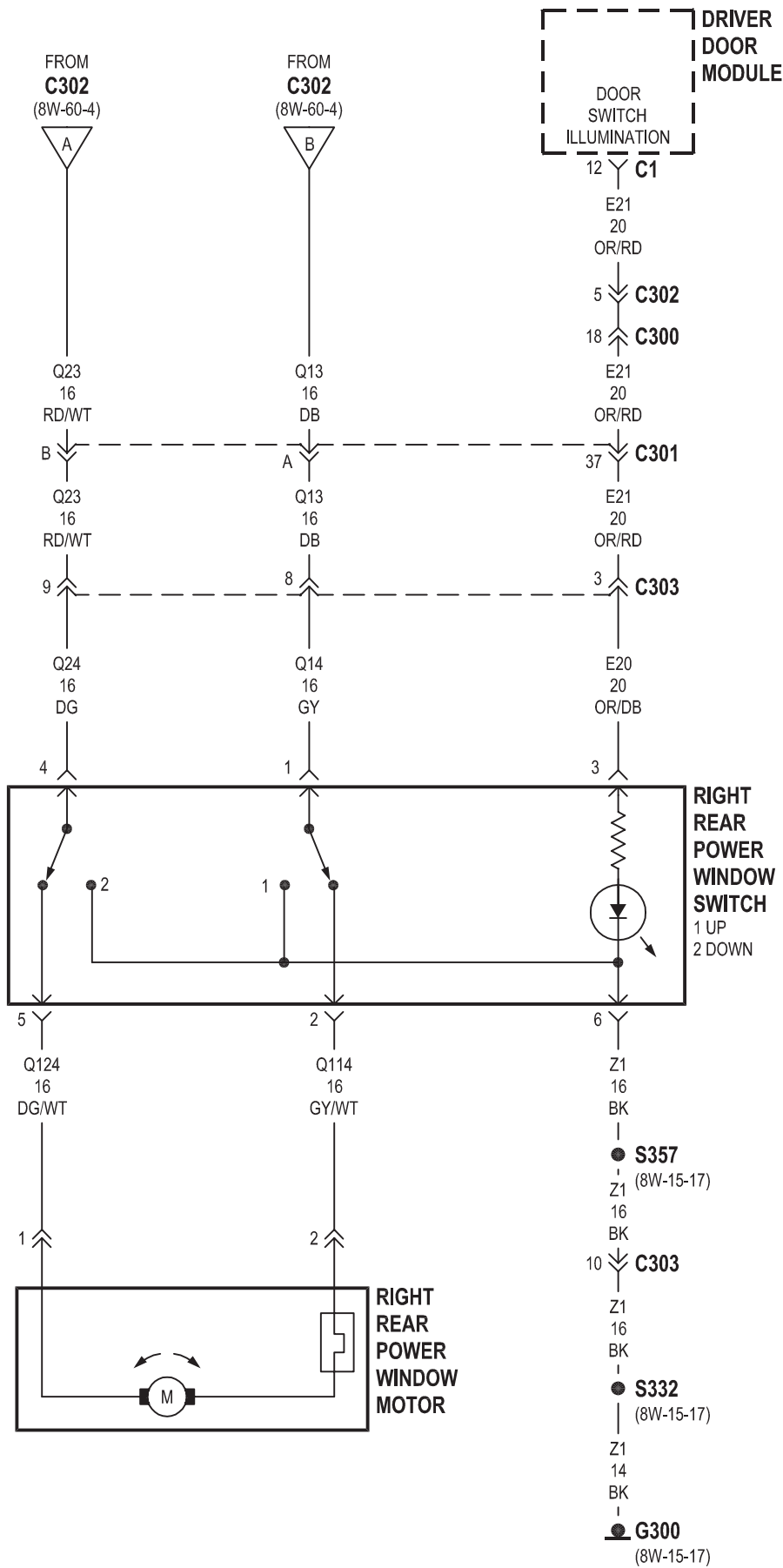
RHD

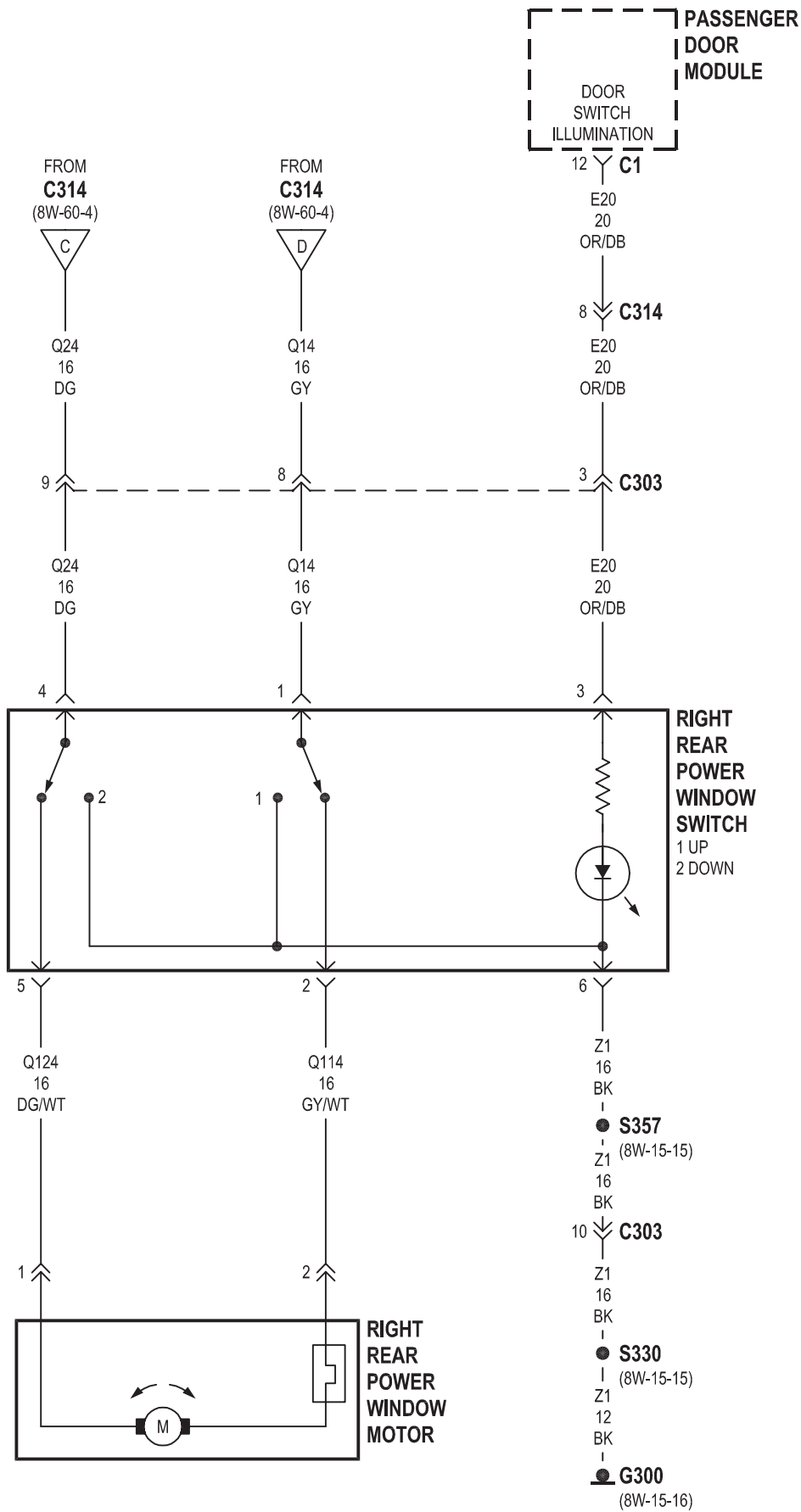




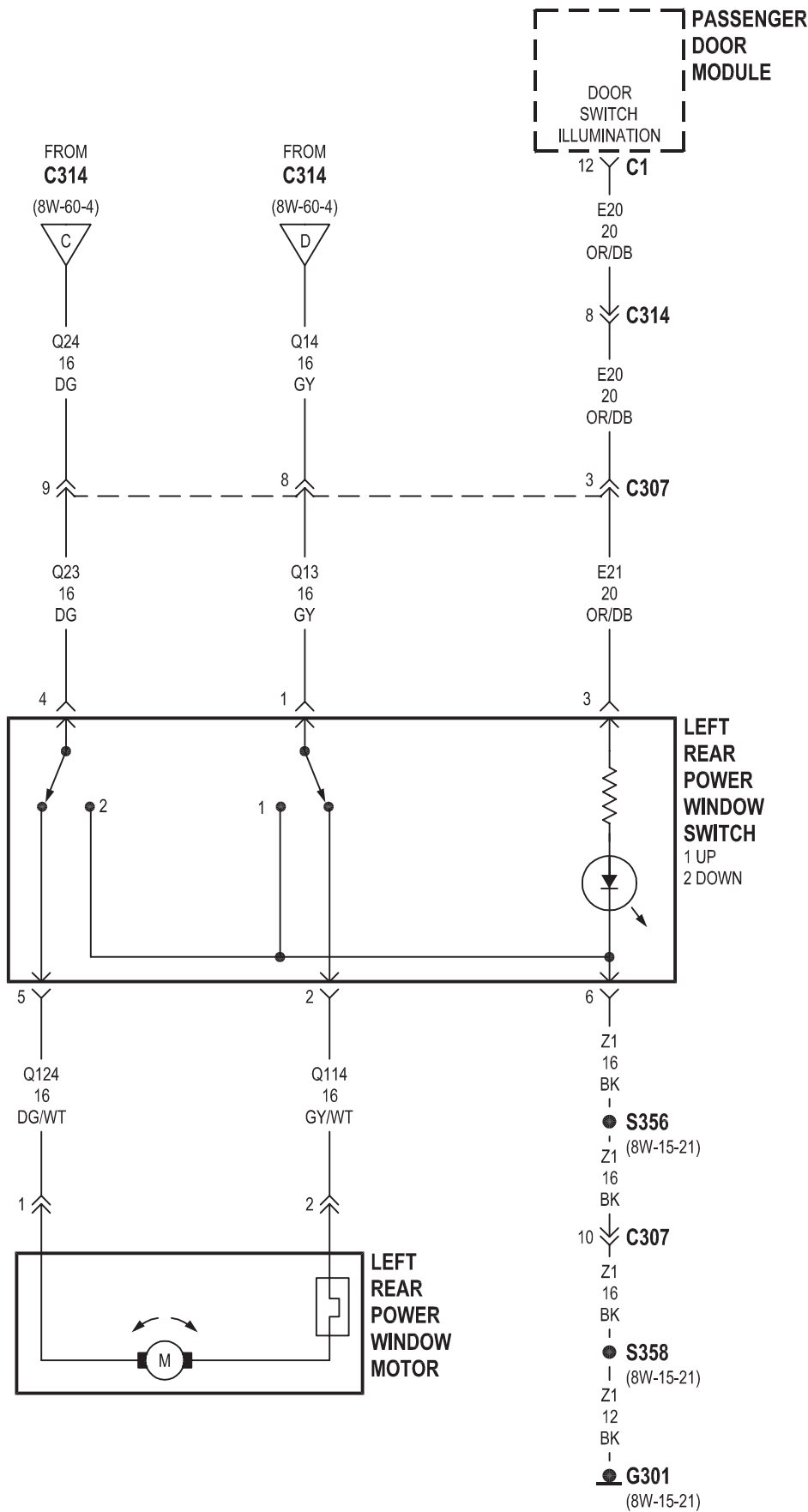


RHD



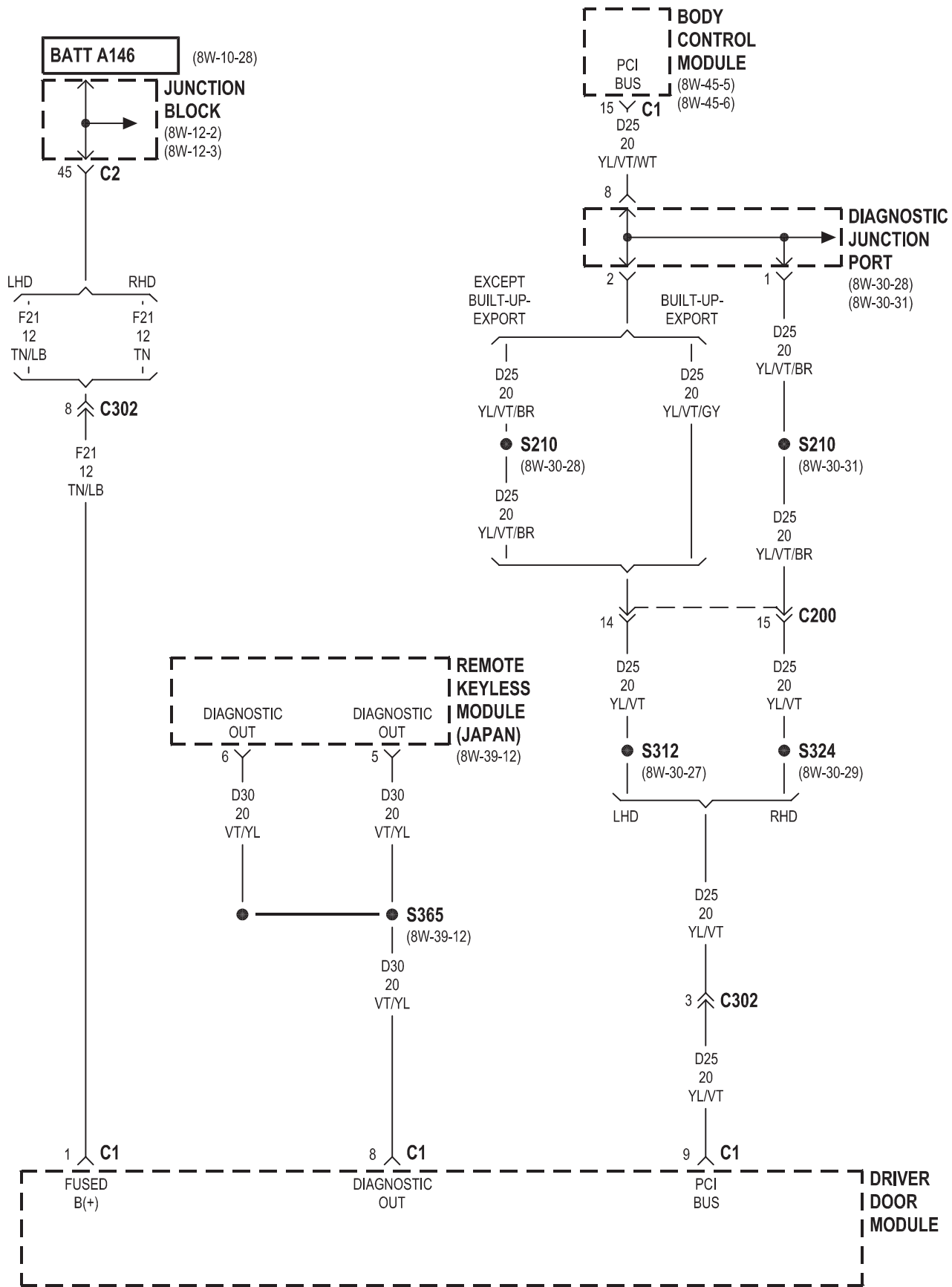


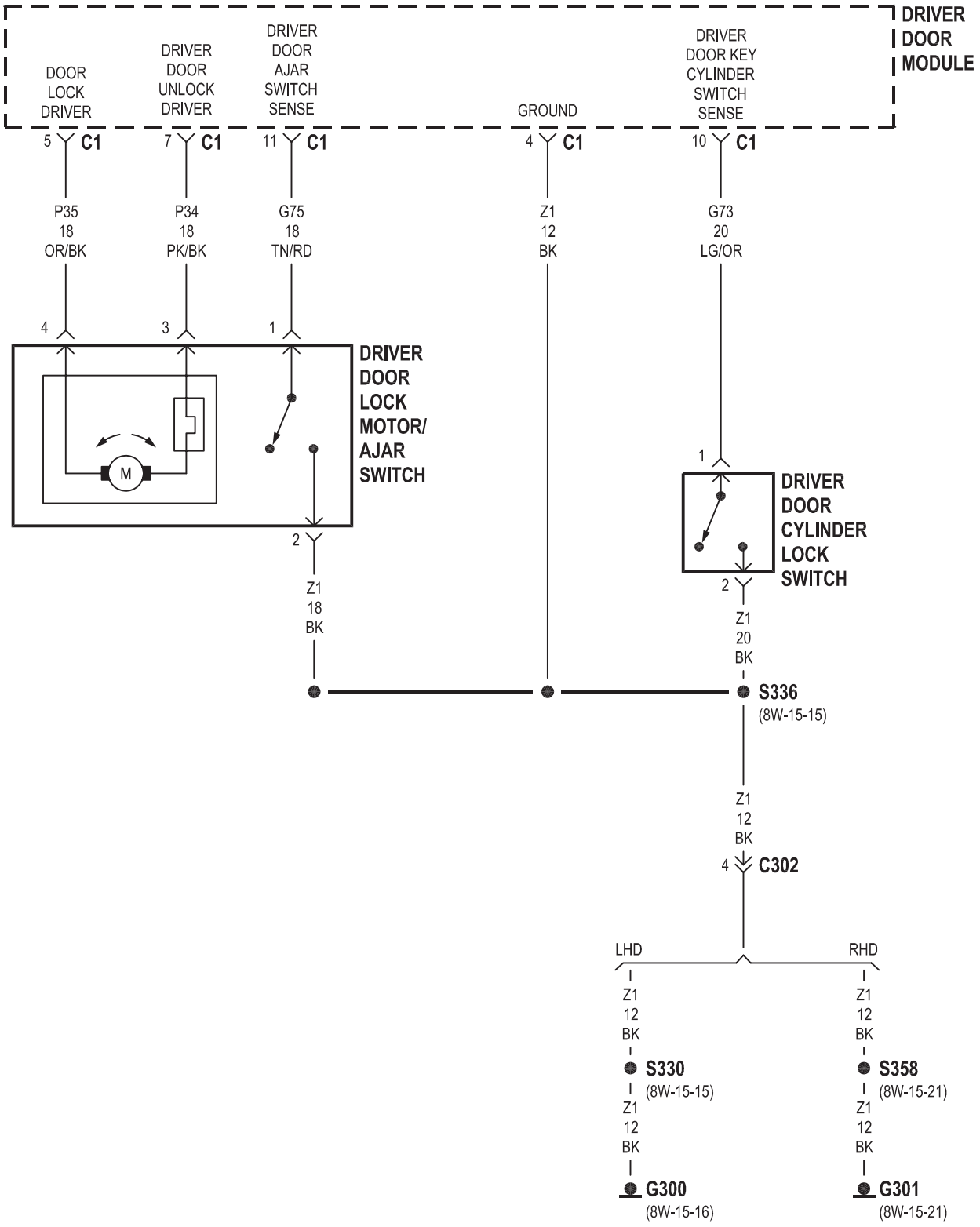
RHD

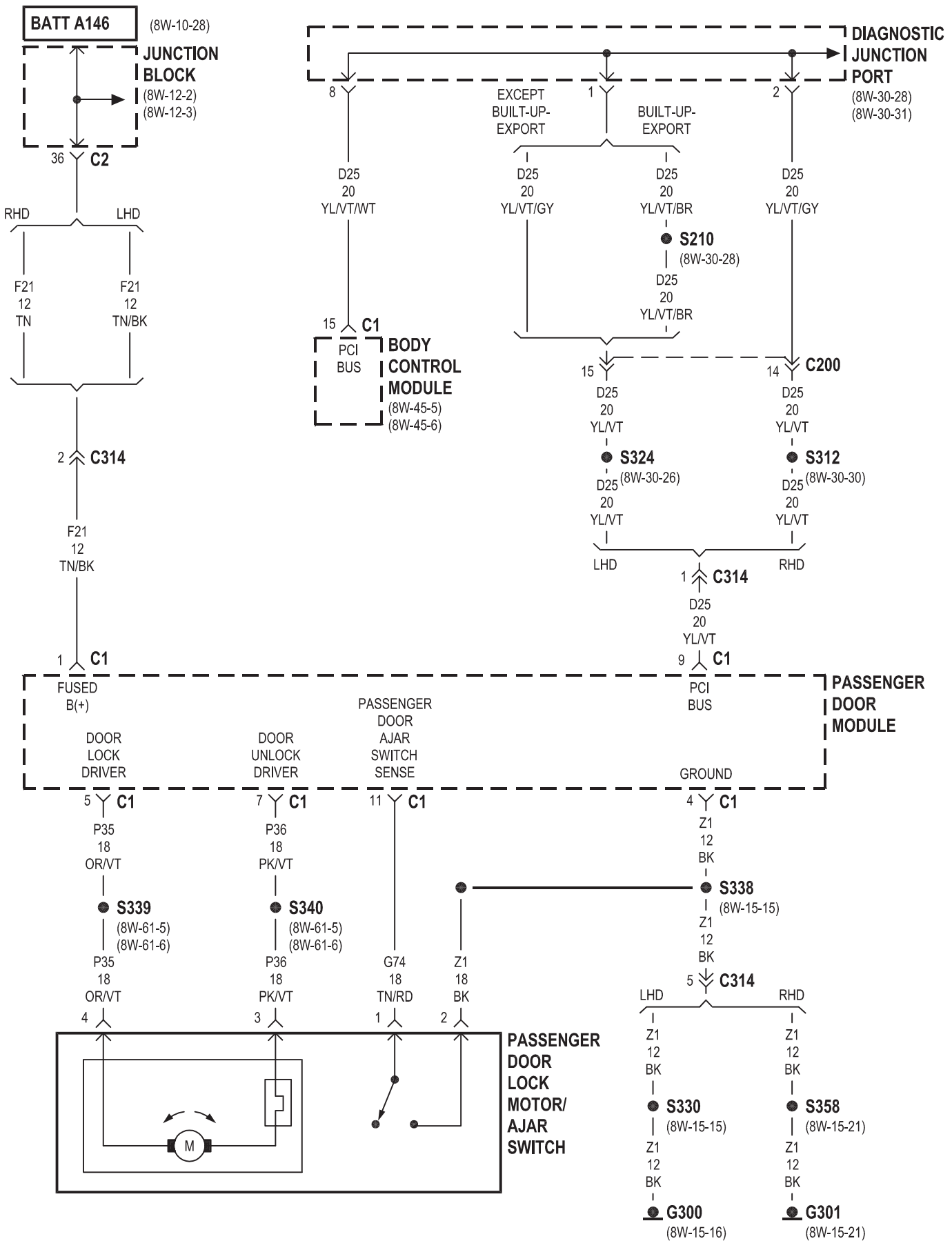


8W-61 POWER DOOR LOCKS

Component	Page	Component	Page
Body Control Module	8W-61-2, 4, 7, 8, 9, 10, 12	Liftgate Flip-Up Ajar Switch	8W-61-12
Diagnostic Junction Port	8W-61-2, 4	Liftgate Flip-Up Push Button Switch	8W-61-11
Driver Door Cylinder Lock Switch	8W-61-3	Liftgate Flip-Up Release Solenoid	8W-61-11
Driver Door Lock Motor/Ajar Switch	8W-61-3	Liftgate Lock Motor	8W-61-5, 6, 11
Driver Door Module	8W-61-2, 3	Passenger Door Lock Motor/Ajar Switch	8W-61-4, 5, 6
Fuse 8 (JB)	8W-61-11	Passenger Door Module	8W-61-4, 5, 6, 7, 8, 9, 10, 11
G300	8W-61-3, 4, 8, 9	Rear Wiper Motor	8W-61-12
G301	8W-61-3, 4, 7, 10, 11, 12	Remote Keyless Module	8W-61-2
Junction Block	8W-61-2, 4, 7, 10, 11, 12	Right Liftgate Ajar Switch	8W-61-12
Left Liftgate Ajar Switch	8W-61-12	Right Rear Door Lock Motor/Ajar Switch	8W-61-5, 6, 8, 9
Left Rear Door Lock Motor/Ajar Switch	8W-61-5, 6, 7, 10		

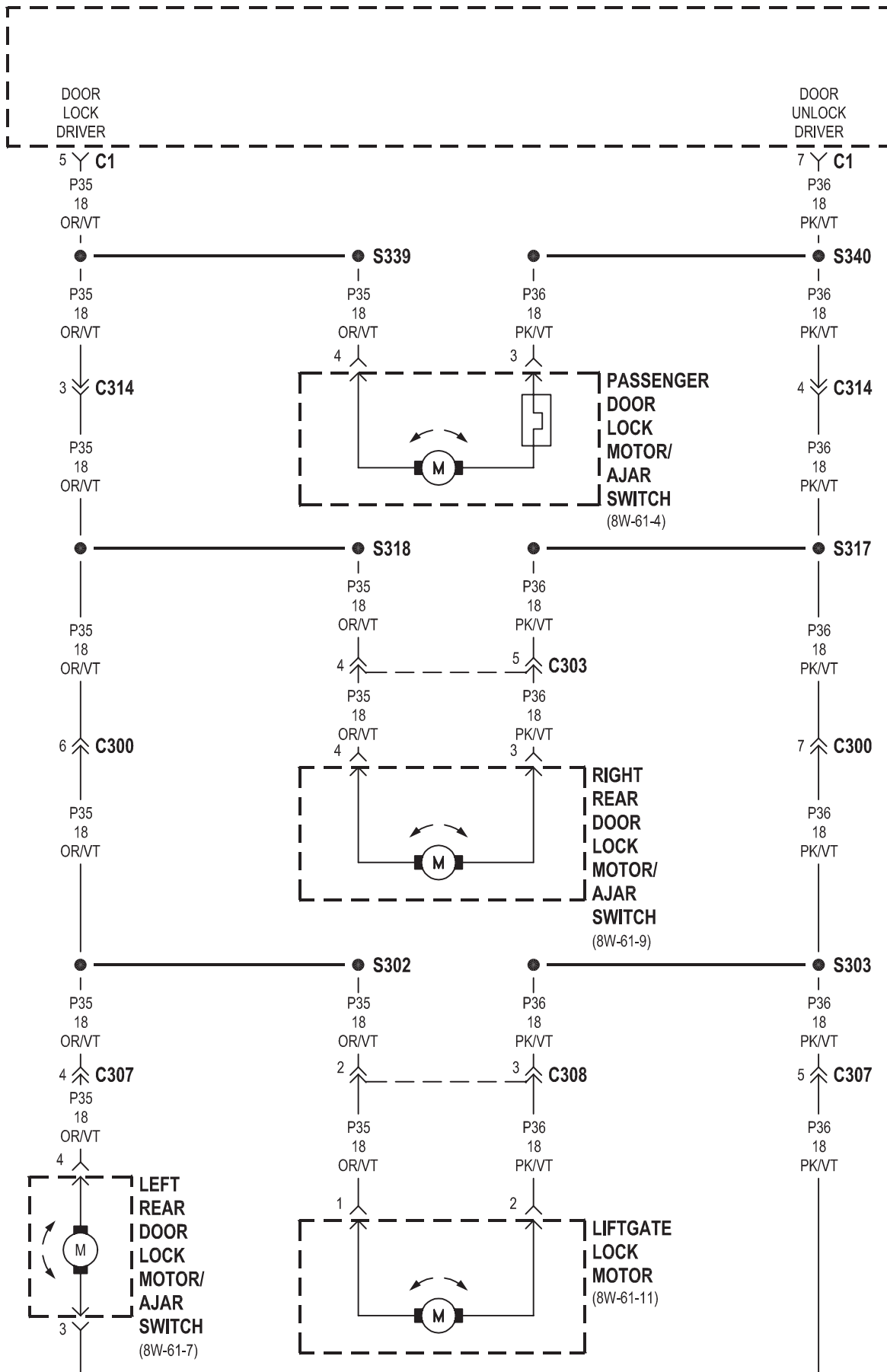




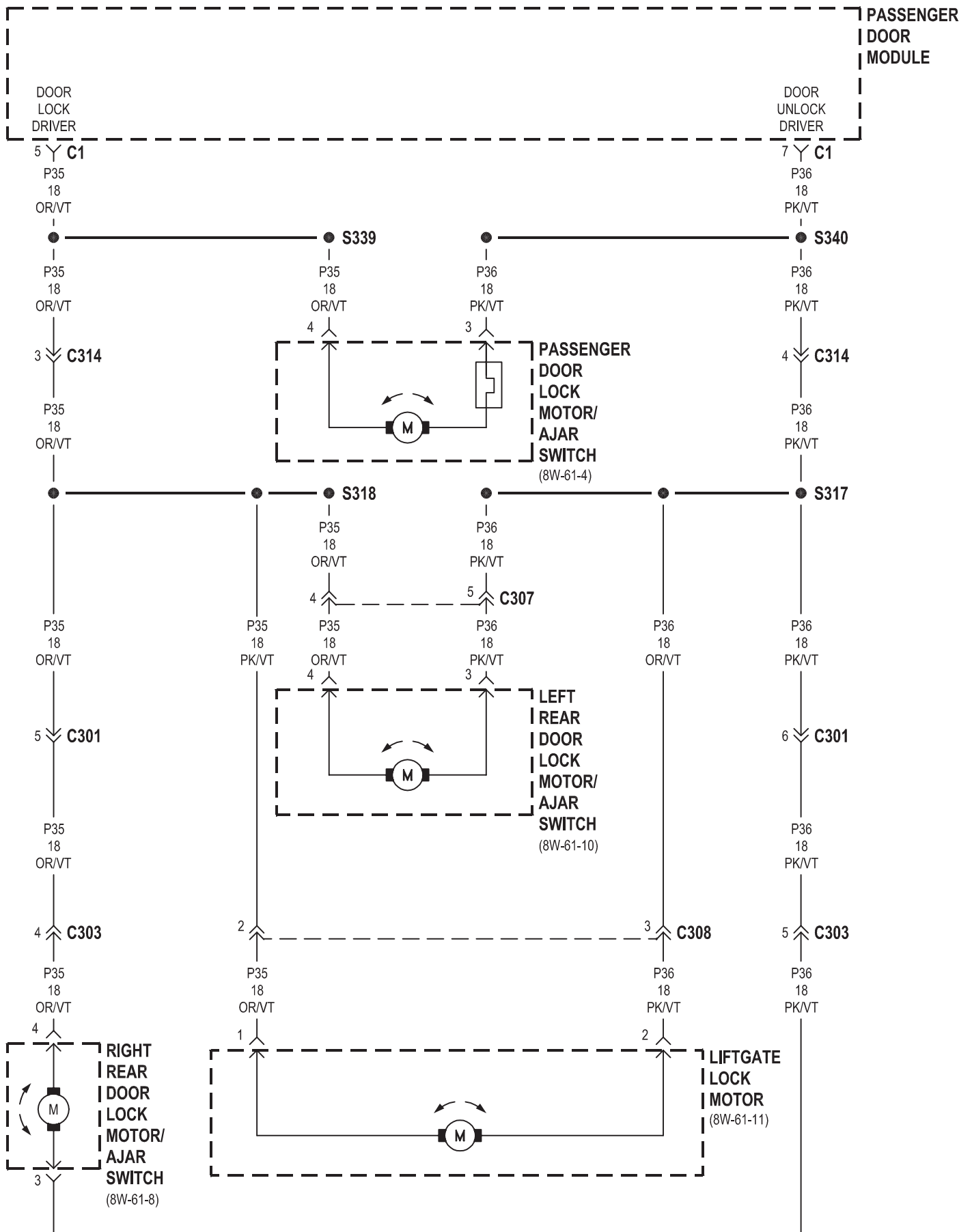


LHD

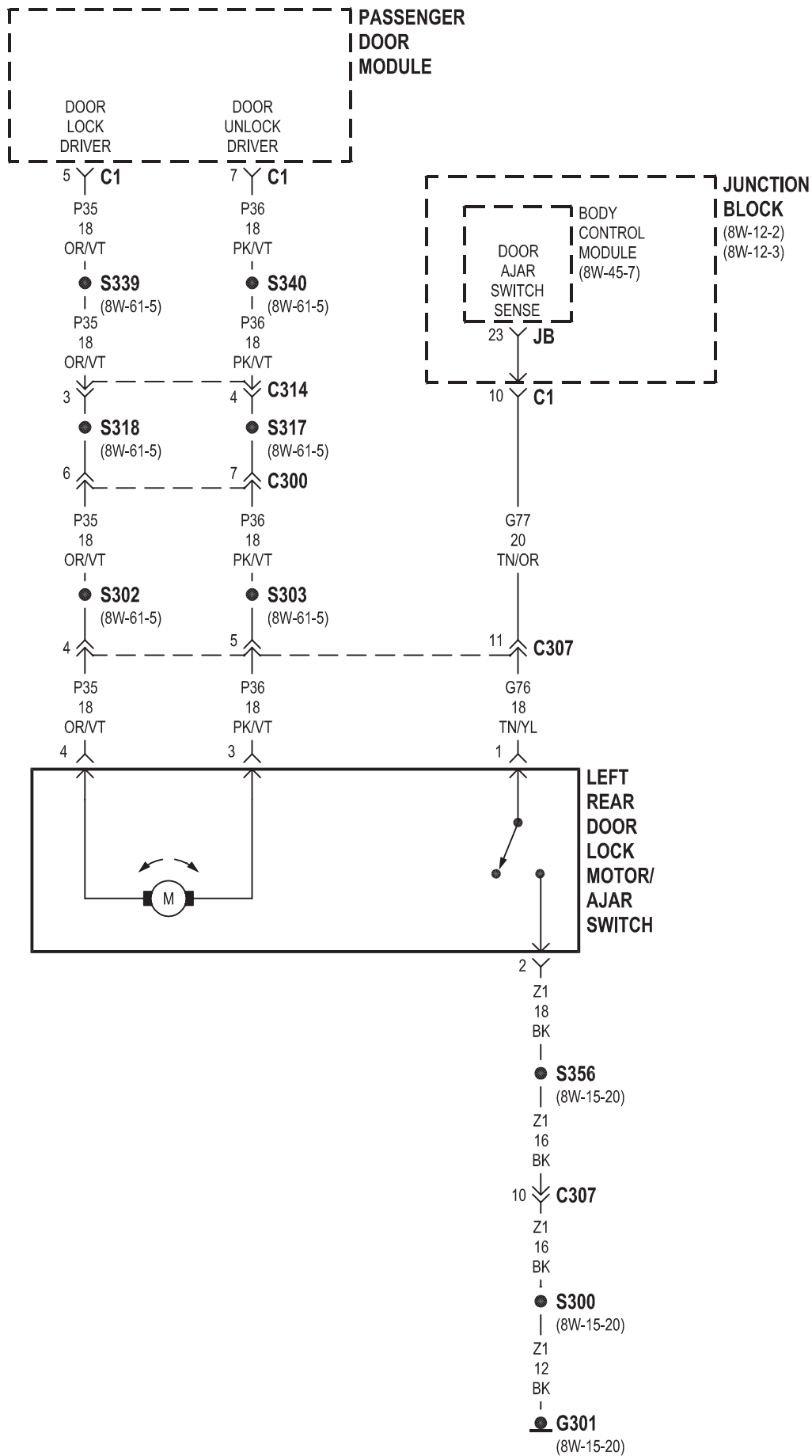
PASSENGER
DOOR
MODULE



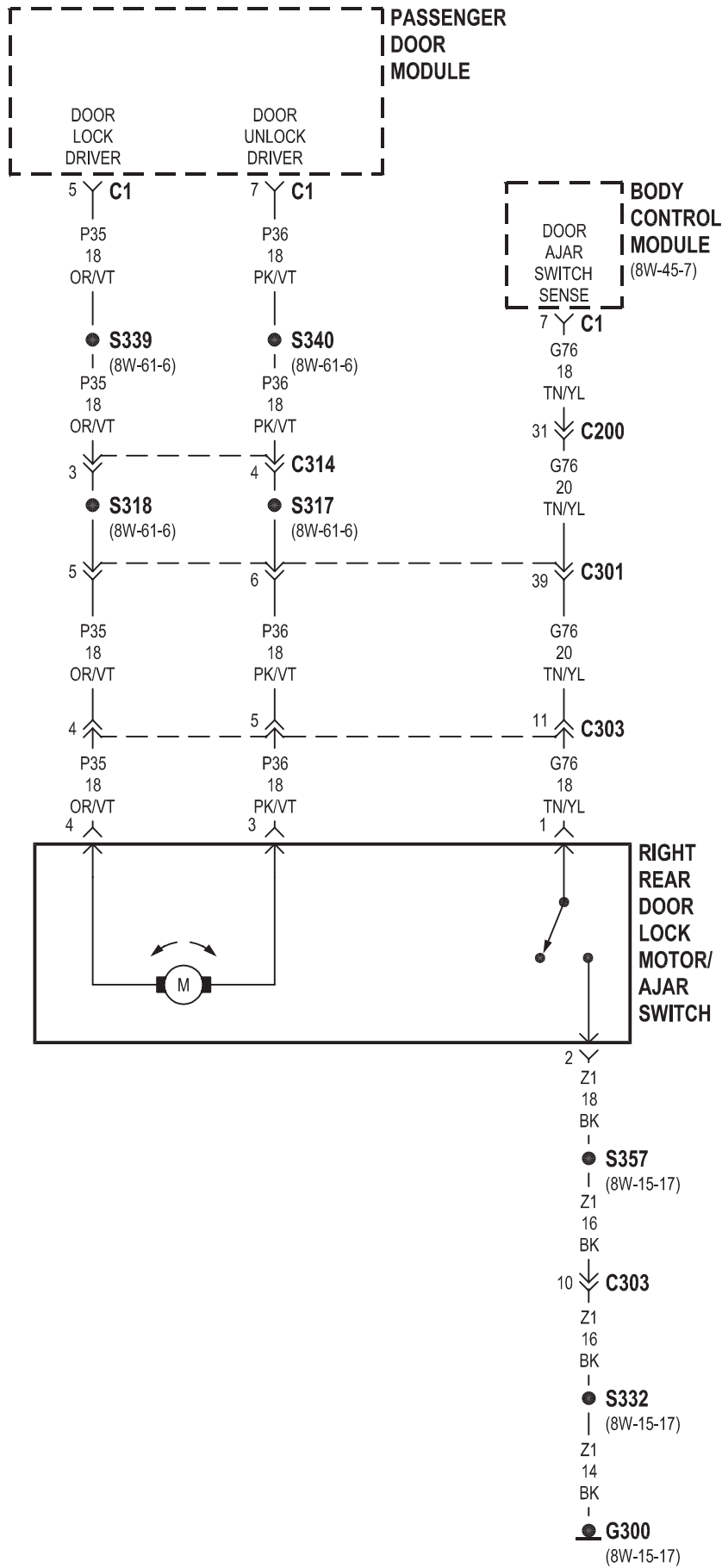
RHD



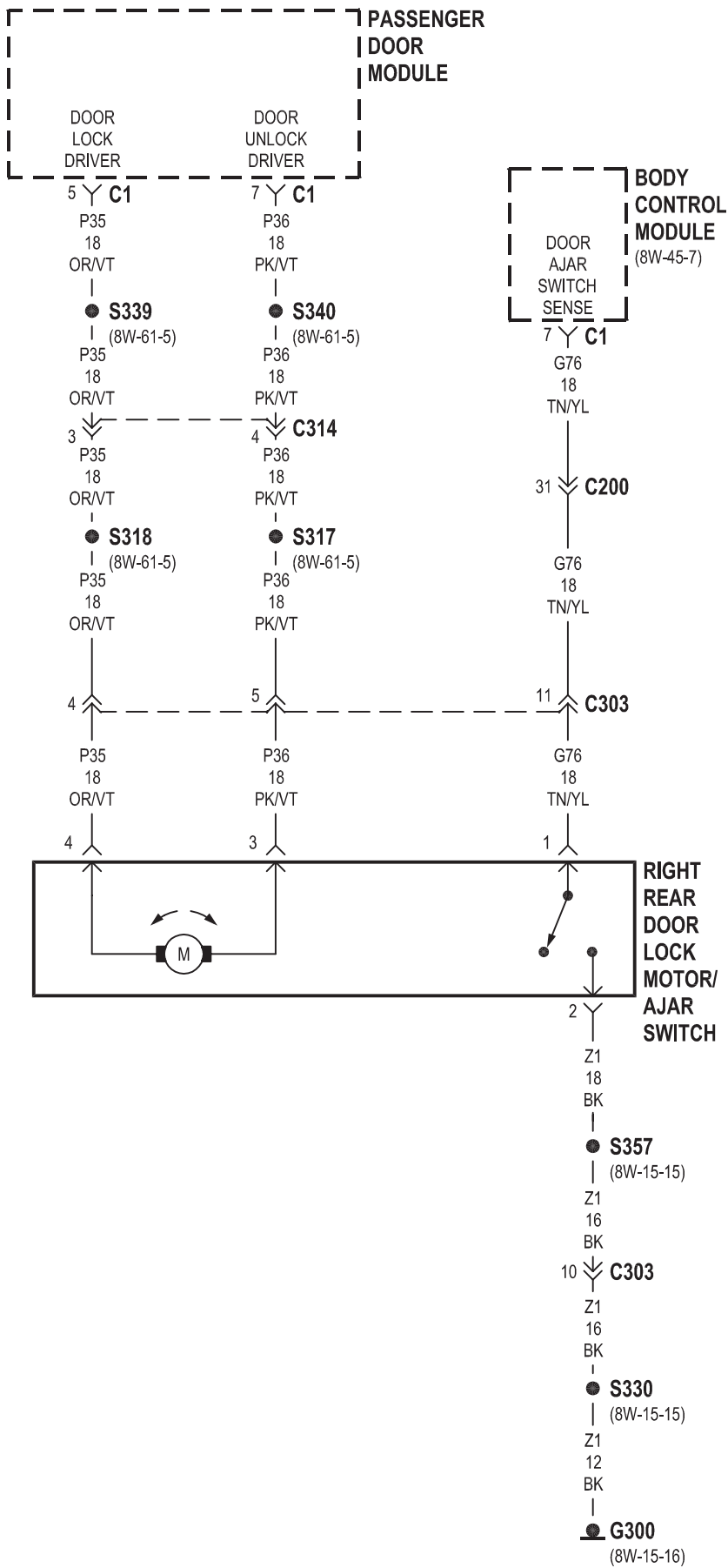
LHD



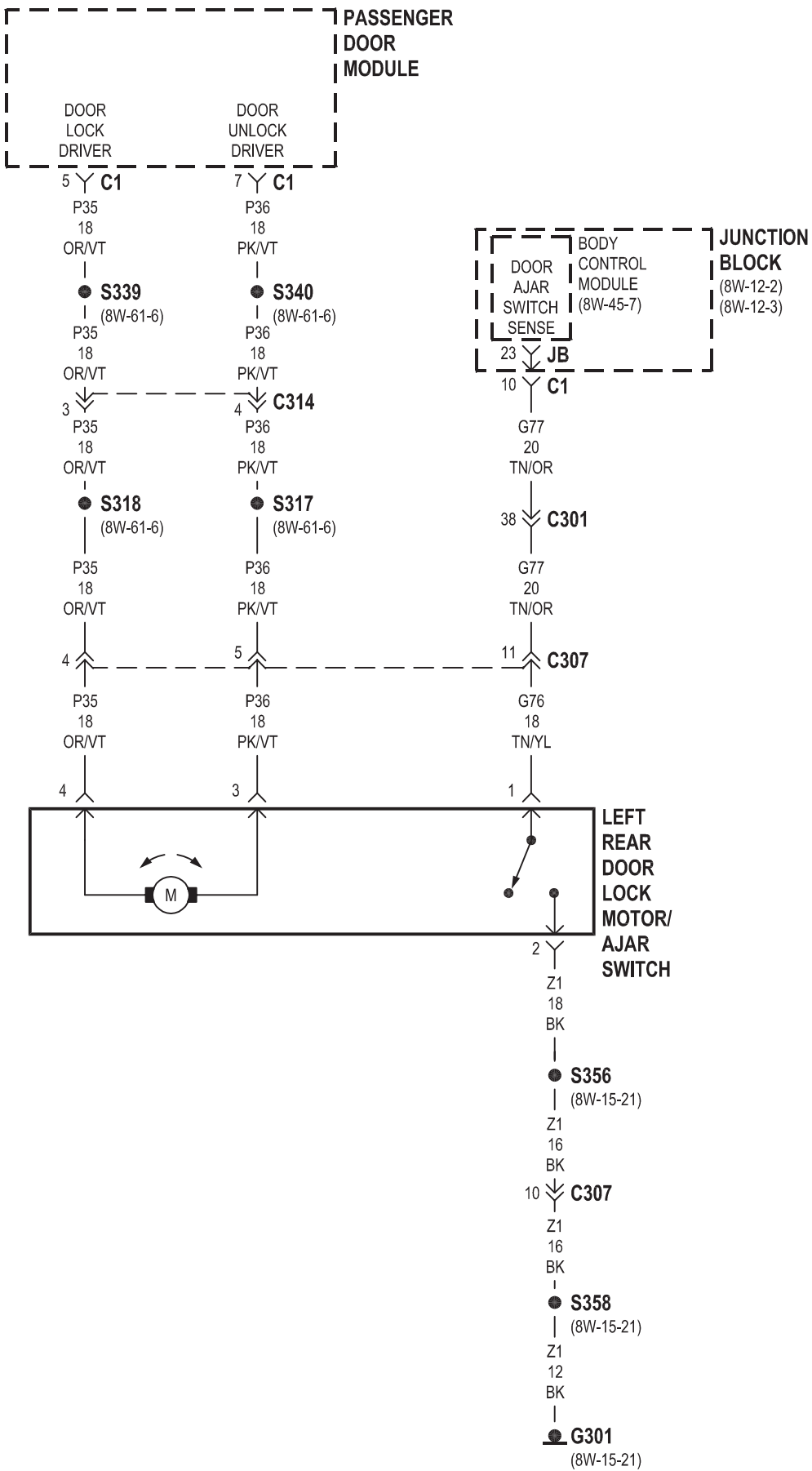
RHD

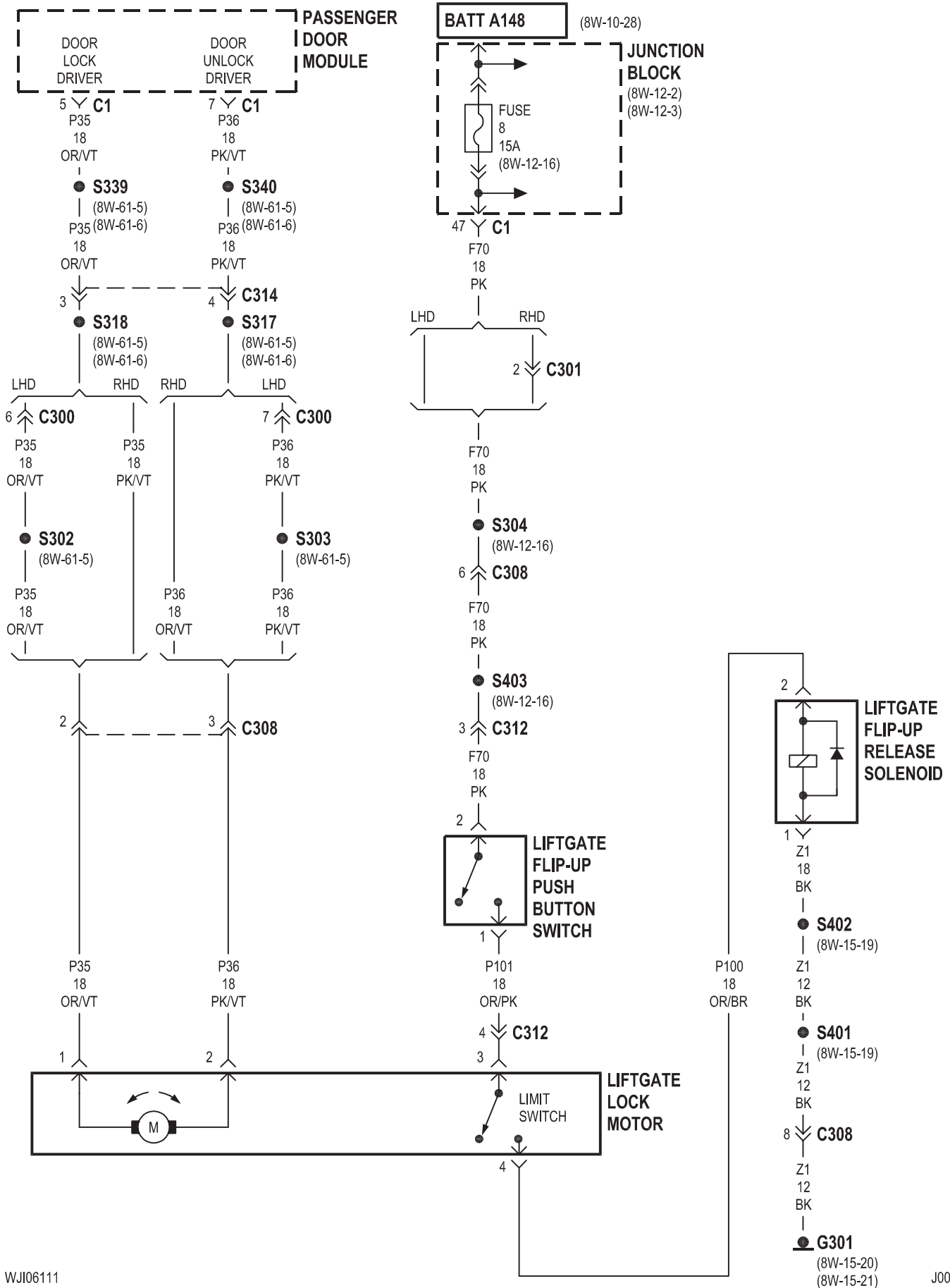


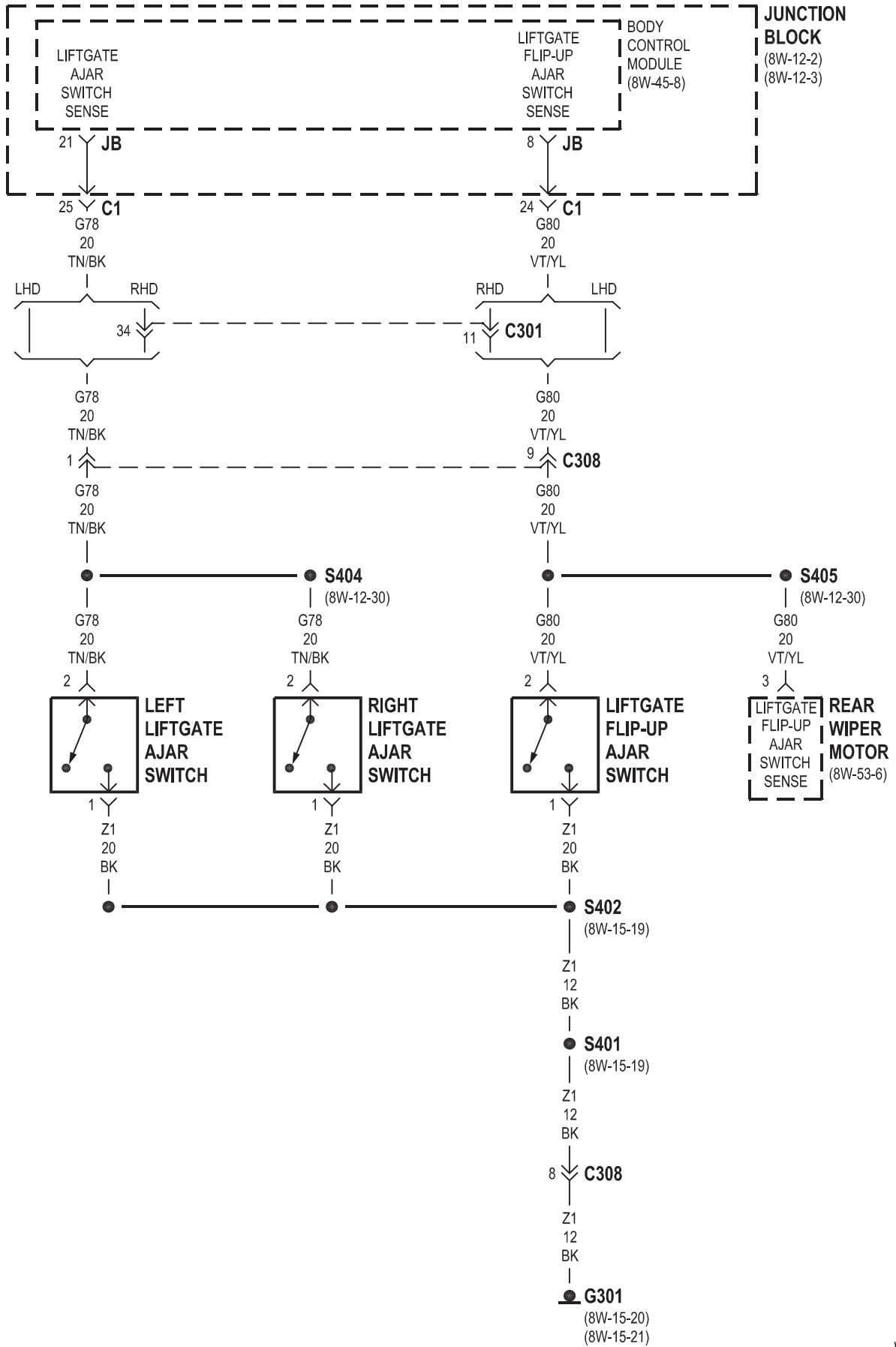
LHD



RHD



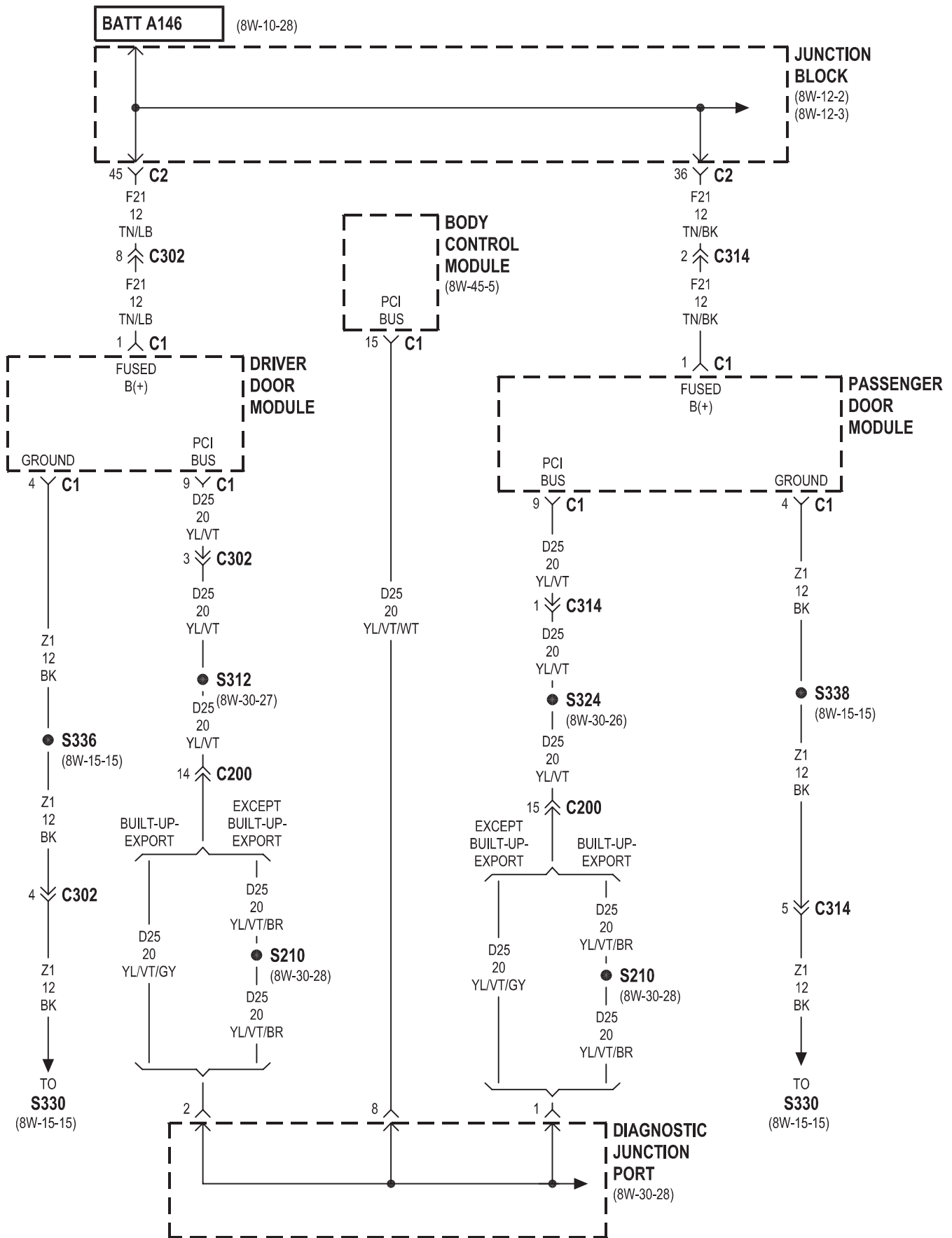




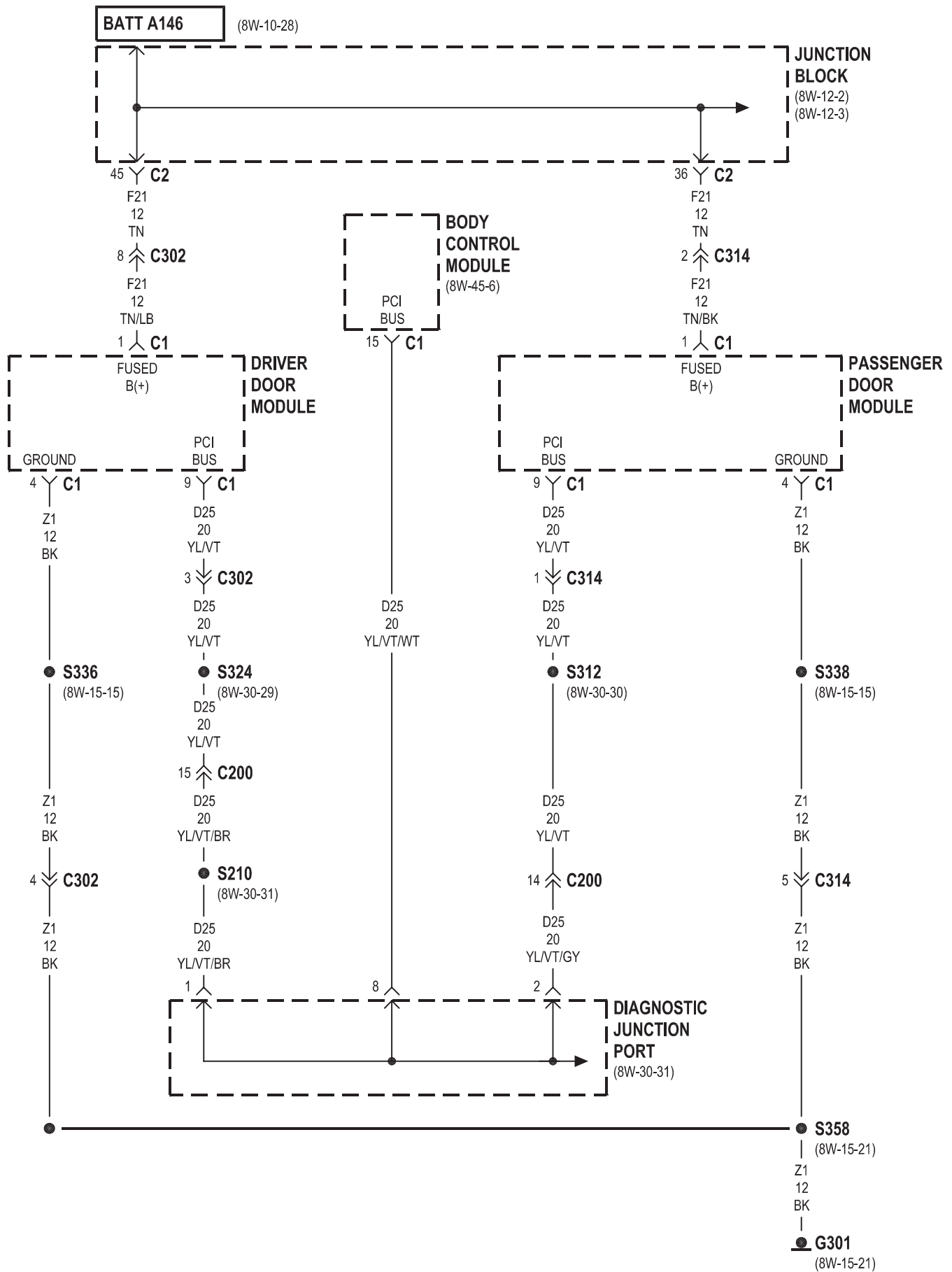
8W-62 POWER MIRRORS

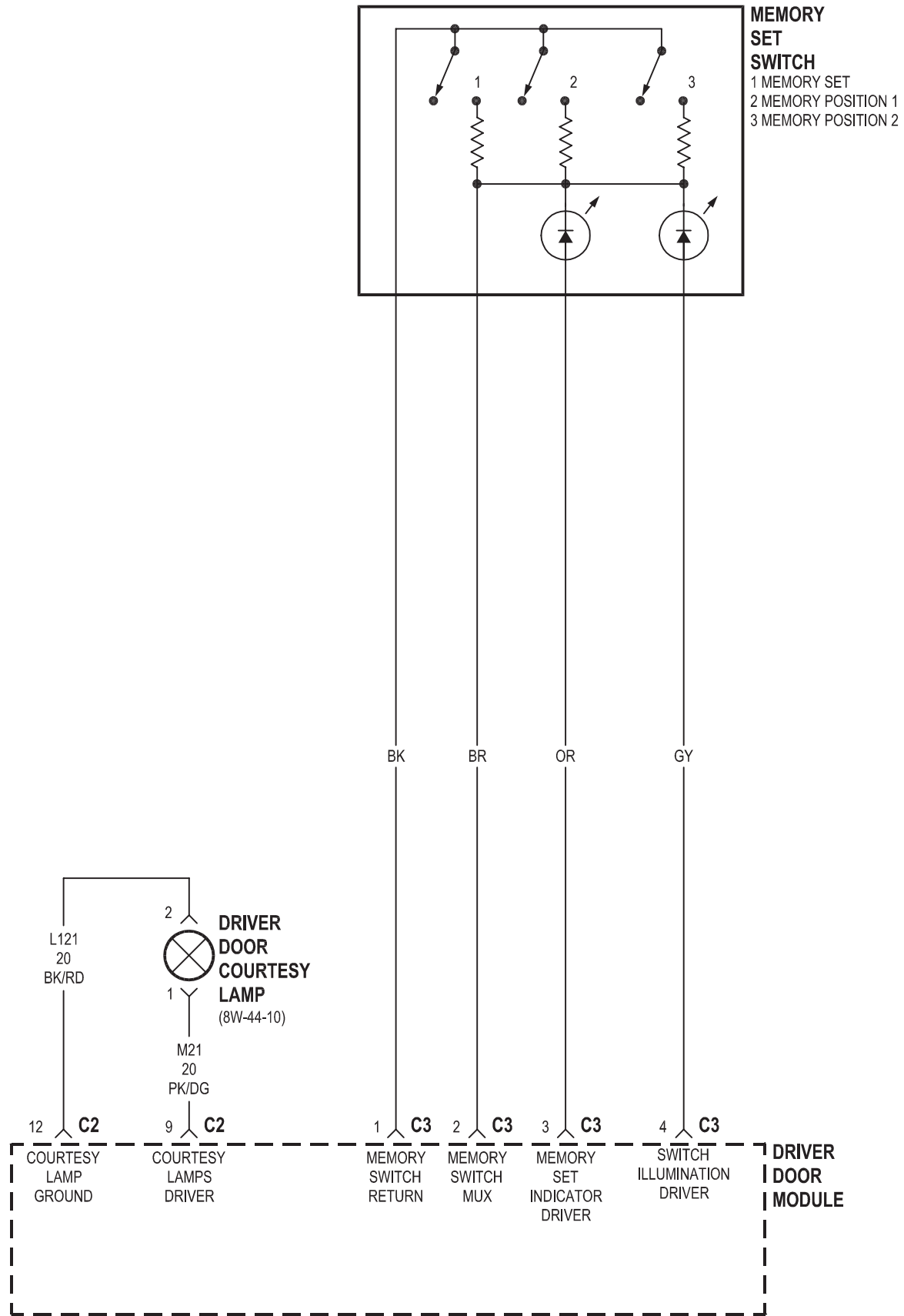
Component	Page	Component	Page
Automatic Day/Night Mirror	8W-62-6	G301	8W-62-3
Body Control Module	8W-62-2, 3	Junction Block	8W-62-2, 3
Diagnostic Junction Port	8W-62-2, 3	Memory Set Switch	8W-62-4
Driver Door Courtesy Lamp	8W-62-4	Passenger Door Courtesy Lamp	8W-62-5
Driver Door Module	8W-62-2, 3, 4, 6	Passenger Door Module	8W-62-2, 3, 5
Driver Power Mirror	8W-62-6	Passenger Power Mirror	8W-62-5
Folding Mirror Motor	8W-62-5, 6		

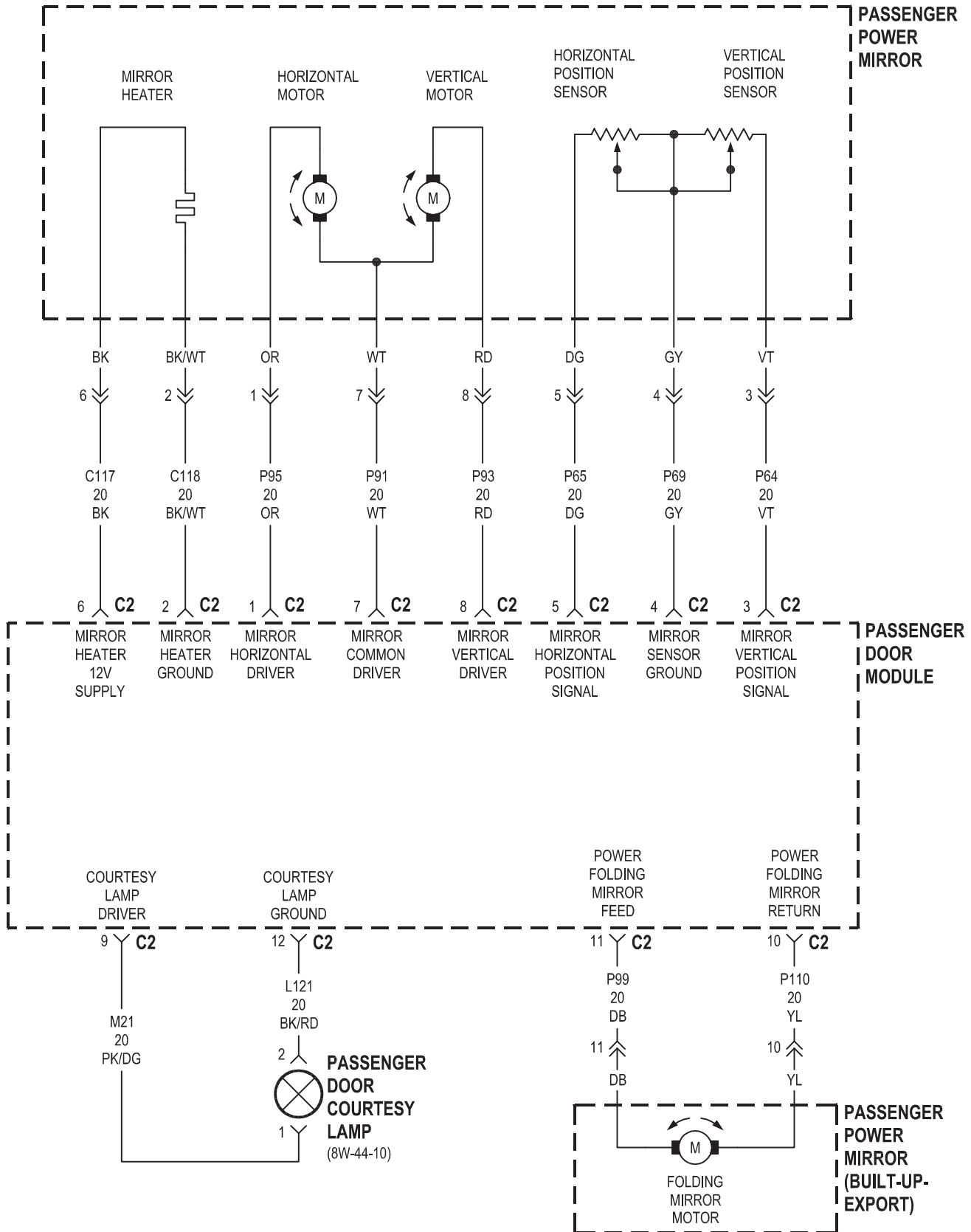
LHD

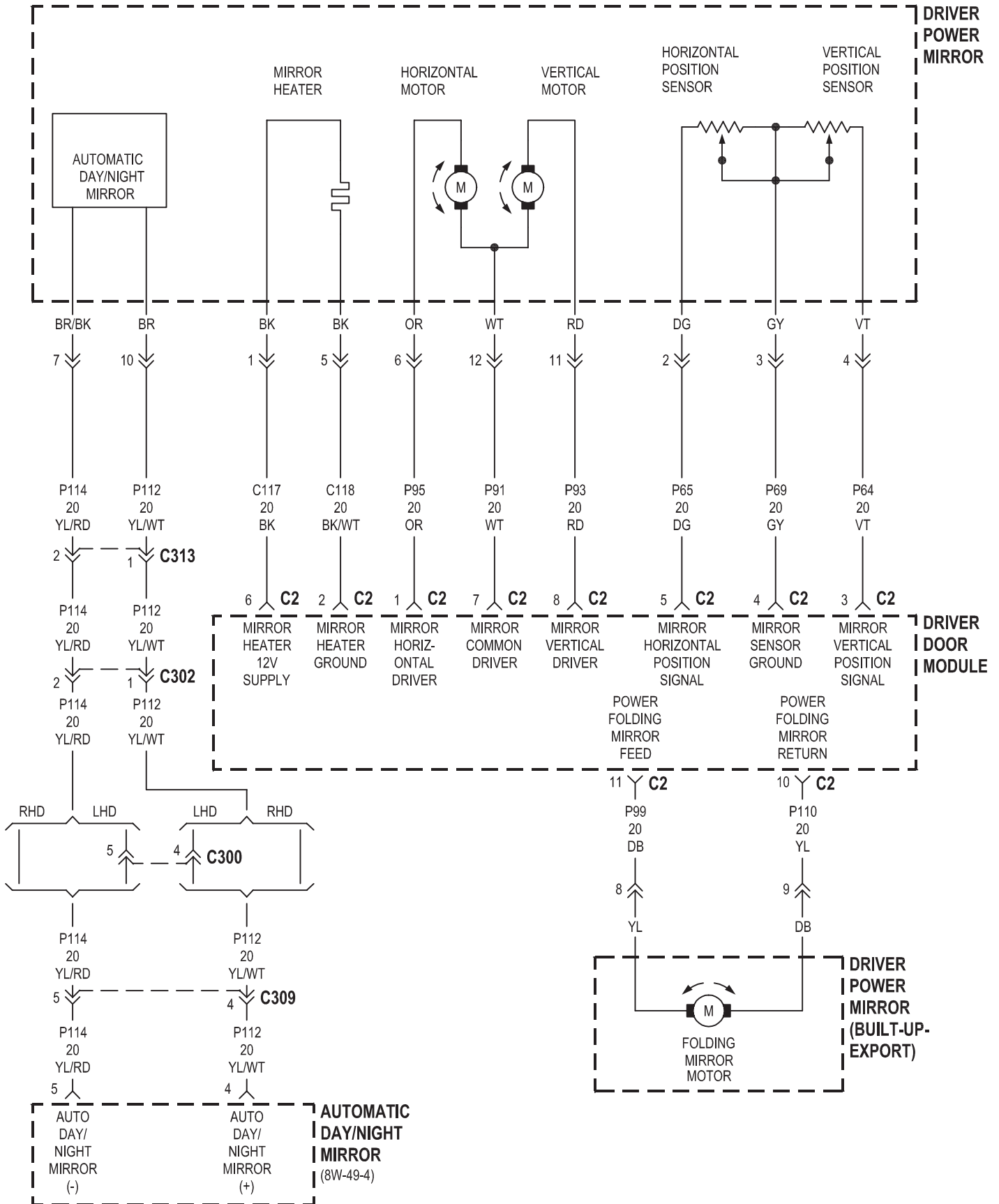


RHD



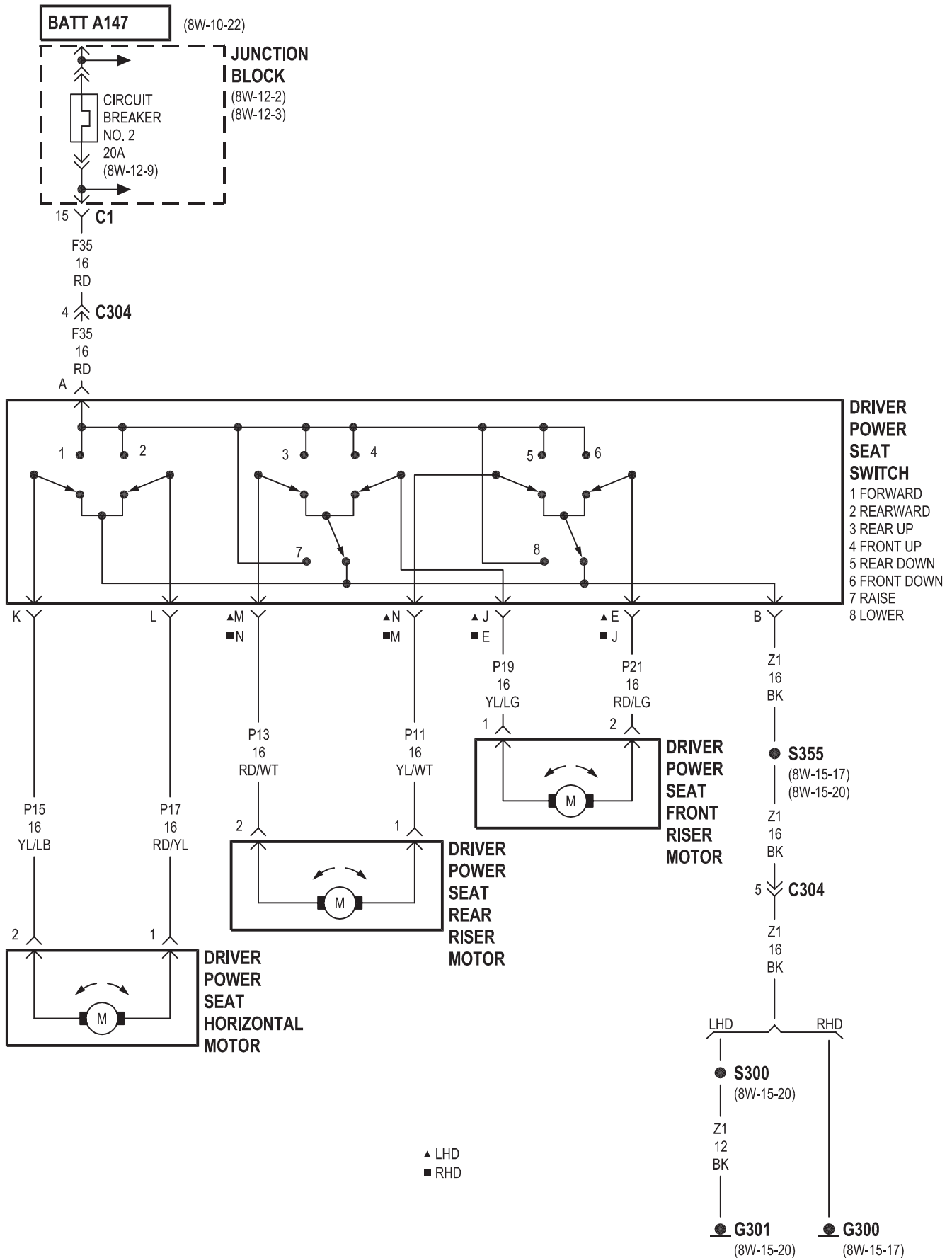


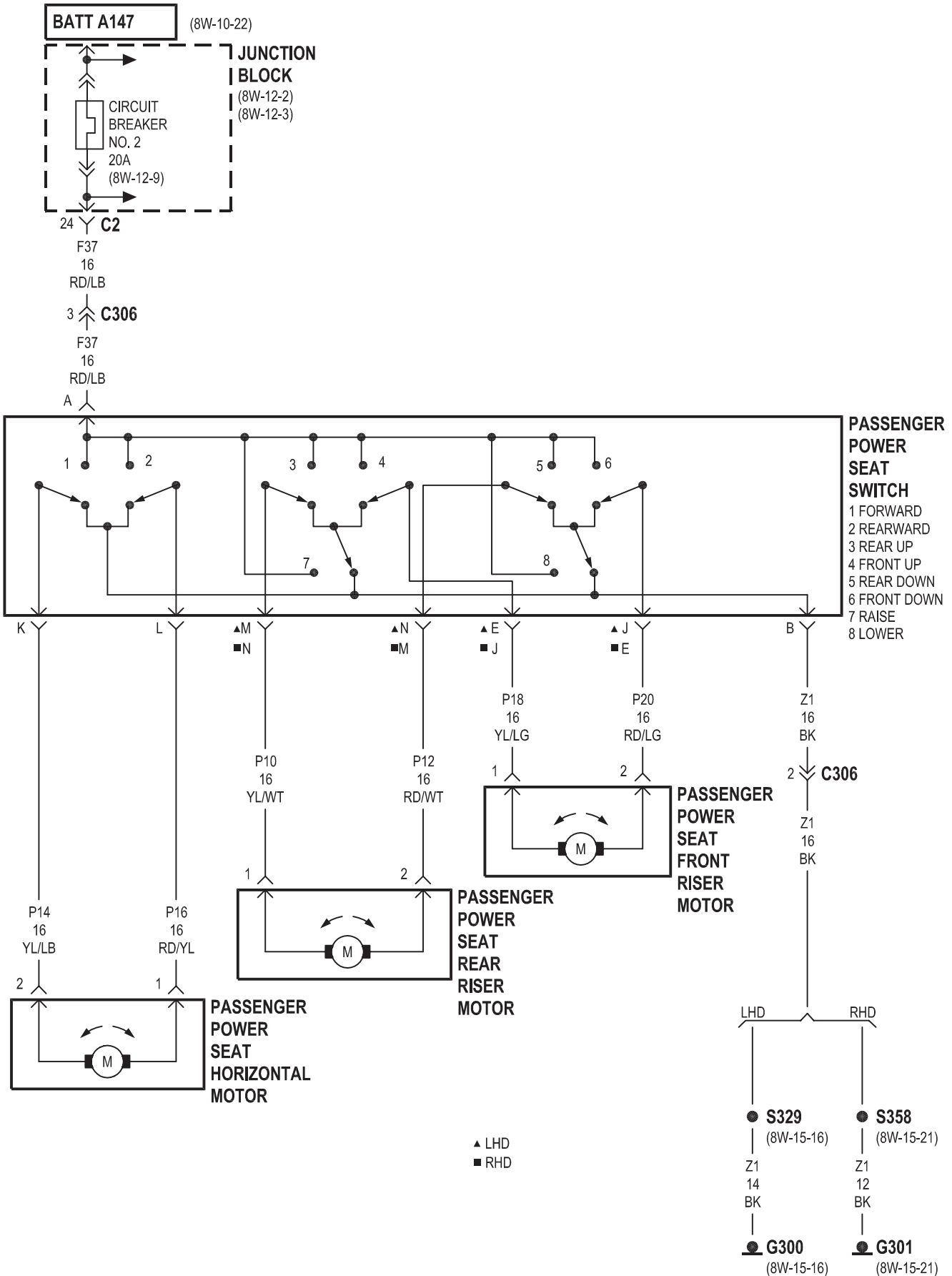


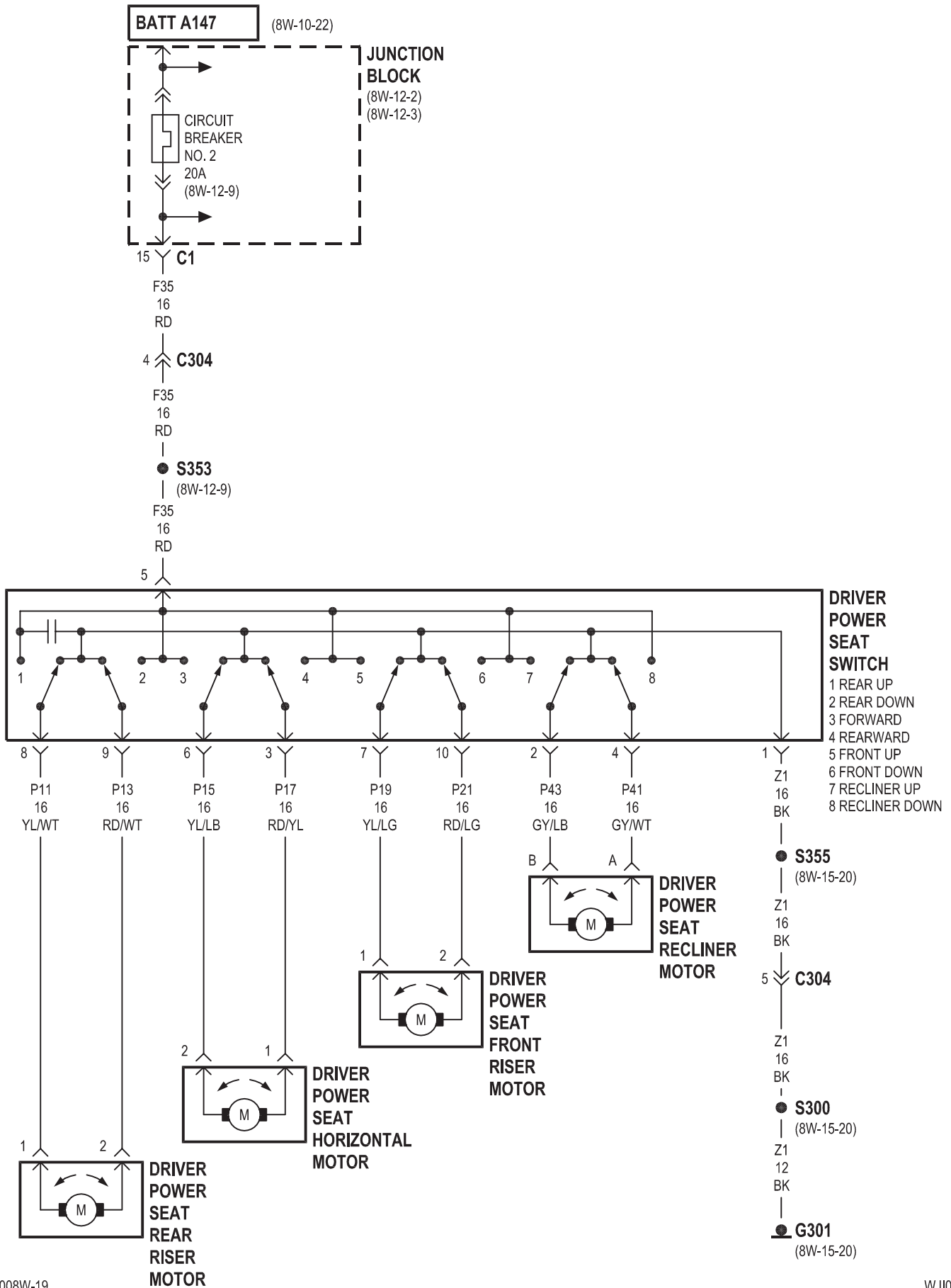


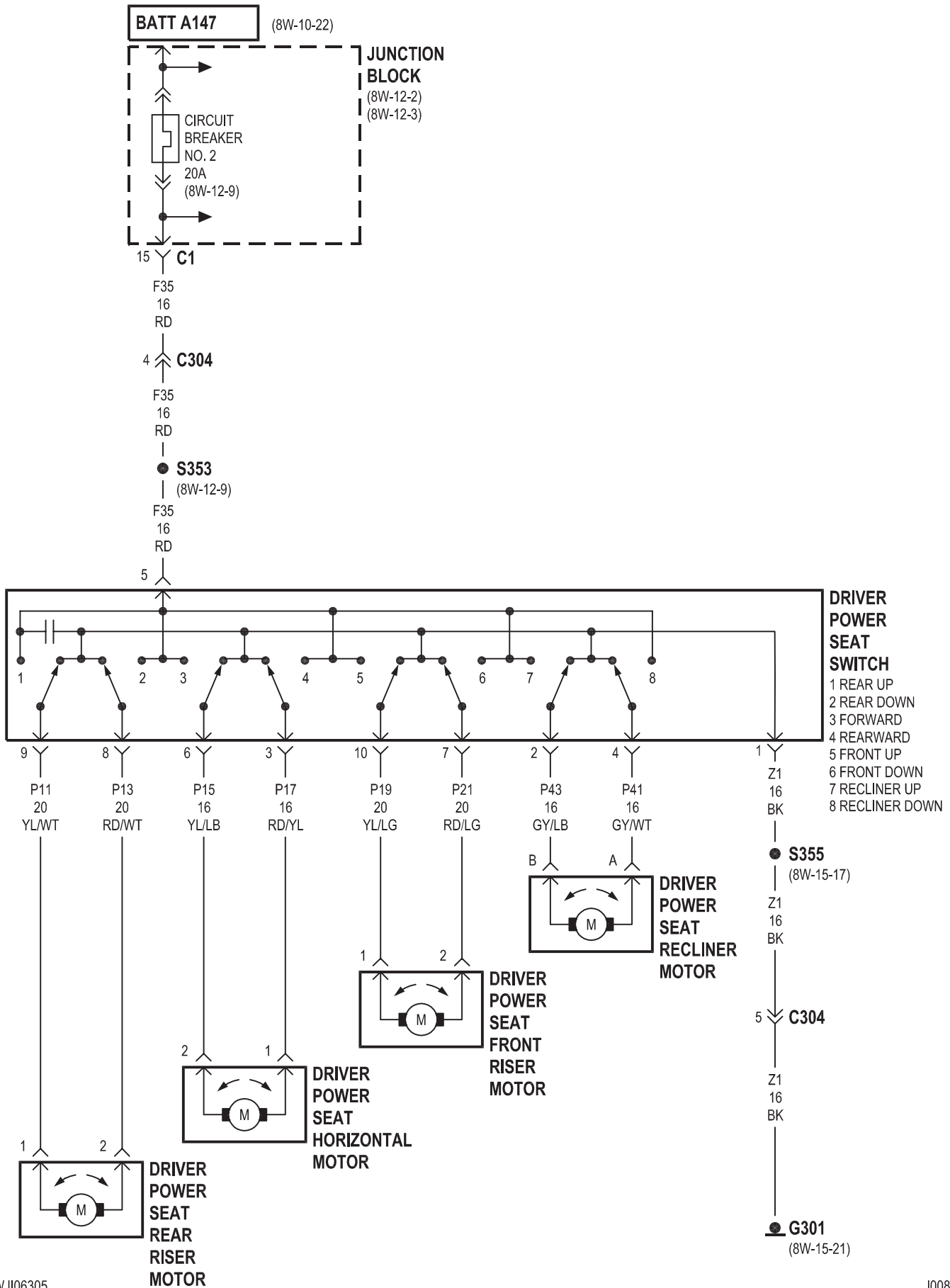
8W-63 POWER SEATS

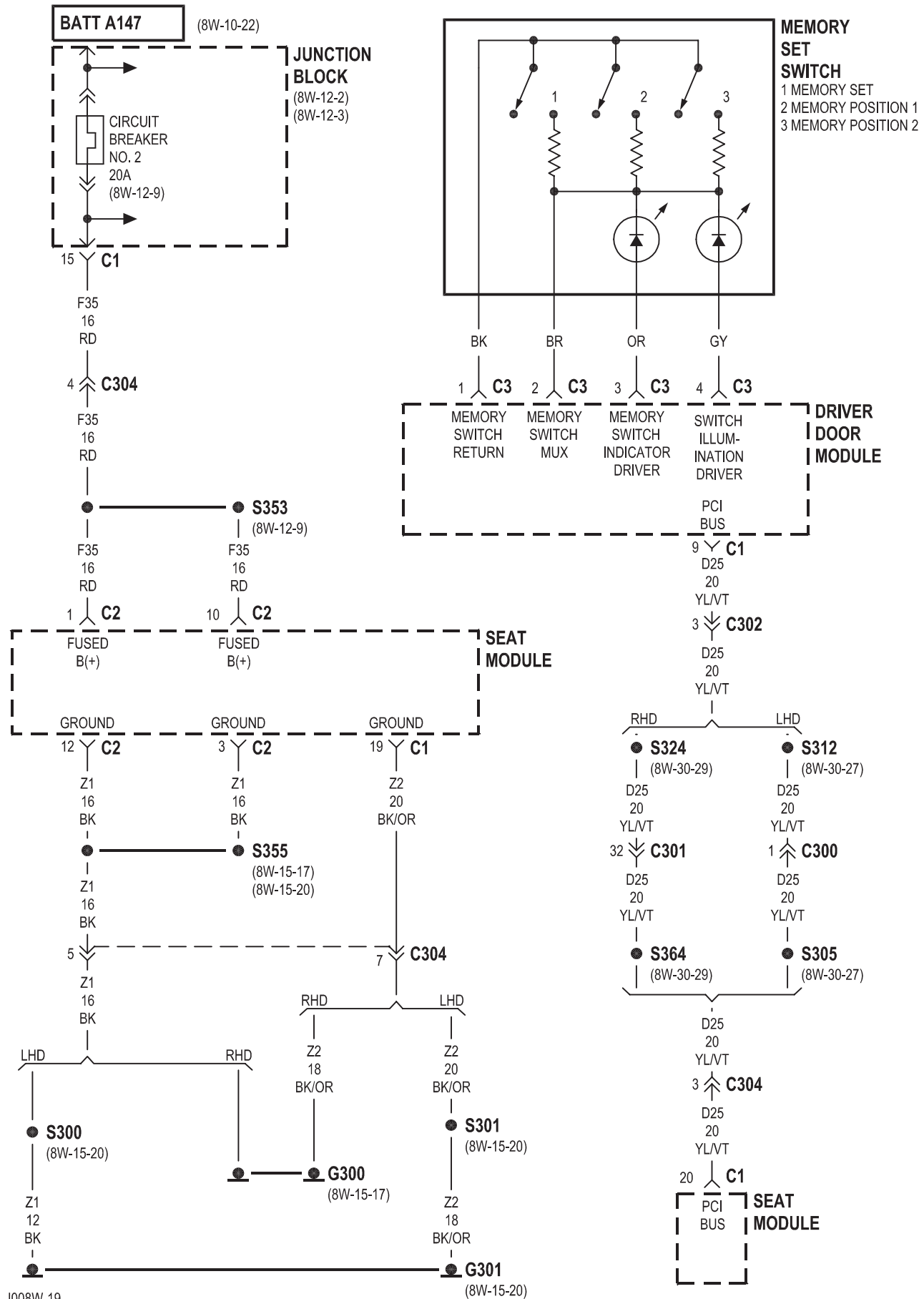
Component	Page	Component	Page
Body Control Module	8W-63-14	Driver Power Seat Recliner	
Circuit Breaker		Motor Sensor	8W-63-10, 11
No. 2 (JB)	8W-63-2, 3, 4, 5, 6, 7, 12, 13	Driver Power Seat Switch	8W-63-2, 4, 5, 8
Driver Door Module	8W-63-6	Fuse 20 (JB)	8W-63-14
Driver Heated Seat Back	8W-63-9	G200	8W-63-14
Driver Heated Seat Cushion	8W-63-9	G300	8W-63-2, 3, 6, 7, 8, 12, 13
Driver Heated Seat Switch	8W-63-14	G301	8W-63-2, 3, 4, 5, 6, 7, 8, 12, 13
Driver Lumbar Motor	8W-63-12, 13	Junction Block	8W-63-2, 3, 4, 5, 6, 7, 12, 13, 14
Driver Lumbar Switch	8W-63-12, 13	Memory Set Switch	8W-63-6
Driver Power Seat Front Riser		Passenger Heated Seat Back	8W-63-9
Motor	8W-63-2, 4, 5, 6	Passenger Heated Seat Cushion	8W-63-9
Driver Power Seat Front Riser		Passenger Heated Seat Switch	8W-63-14
Motor Sensor	8W-63-10	Passenger Lumbar Motor	8W-63-12, 13
Driver Power Seat Horizontal		Passenger Lumbar Switch	8W-63-1, 13
Motor	8W-63-2, 4, 5, 8	Passenger Power Seat Front	
Driver Power Seat Horizontal		Riser Motor	8W-63-3, 7
Motor Sensor	8W-63-10, 11	Passenger Power Seat Horizontal Motor	8W-63-3, 7
Driver Power Seat Rear Riser		Passenger Power Seat Rear Riser Motor	8W-63-3, 7
Motor	8W-63-2, 4, 5, 8	Passenger Power Seat Recliner Motor	8W-63-7
Driver Power Seat Rear Riser		Passenger Power Seat Switch	8W-63-3, 7
Motor Sensor	8W-63-10	Seat Module	8W-63-6, 8, 9, 10, 11
Driver Power Seat Recliner Motor	8W-63-4, 5, 8		

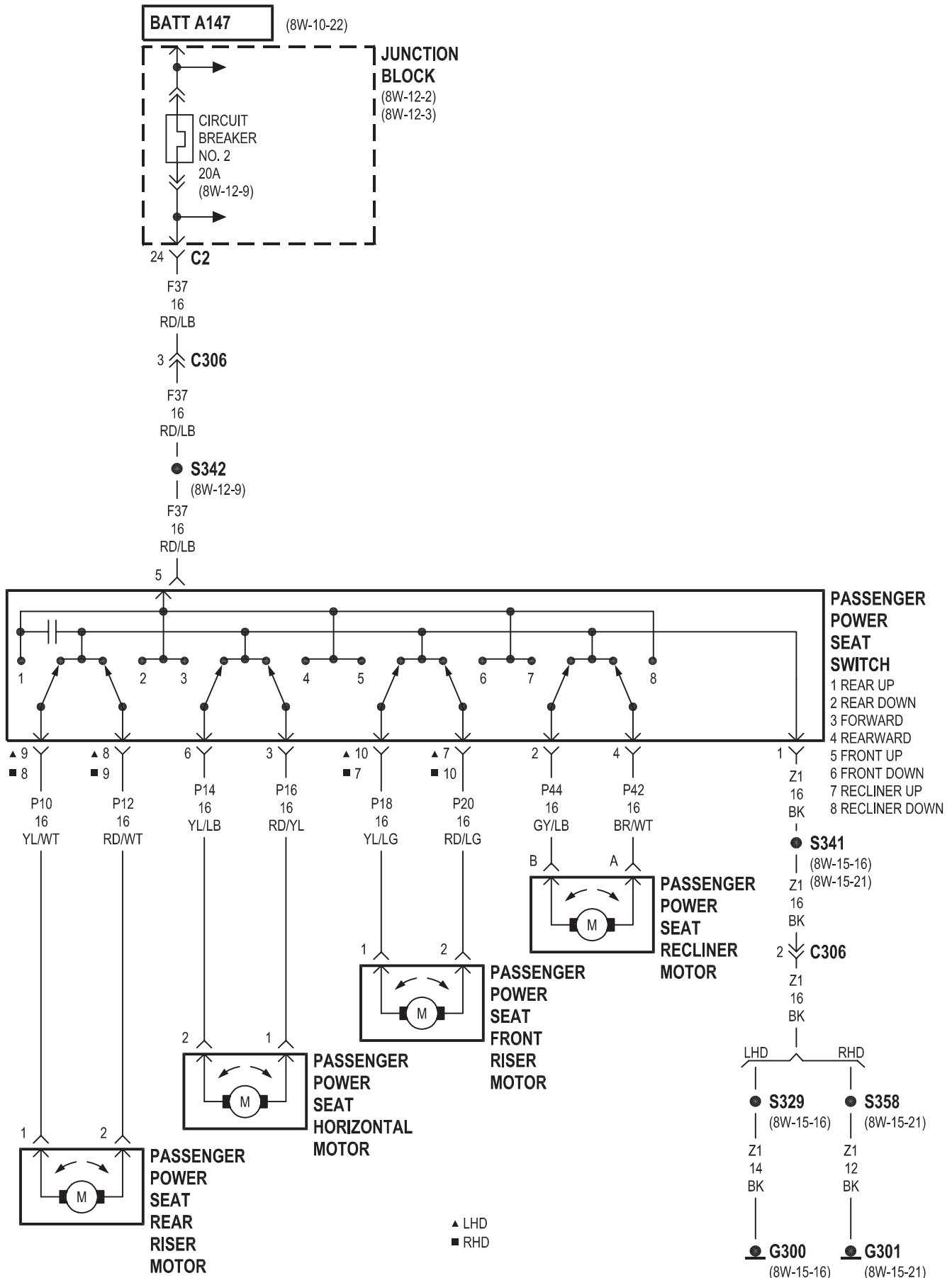


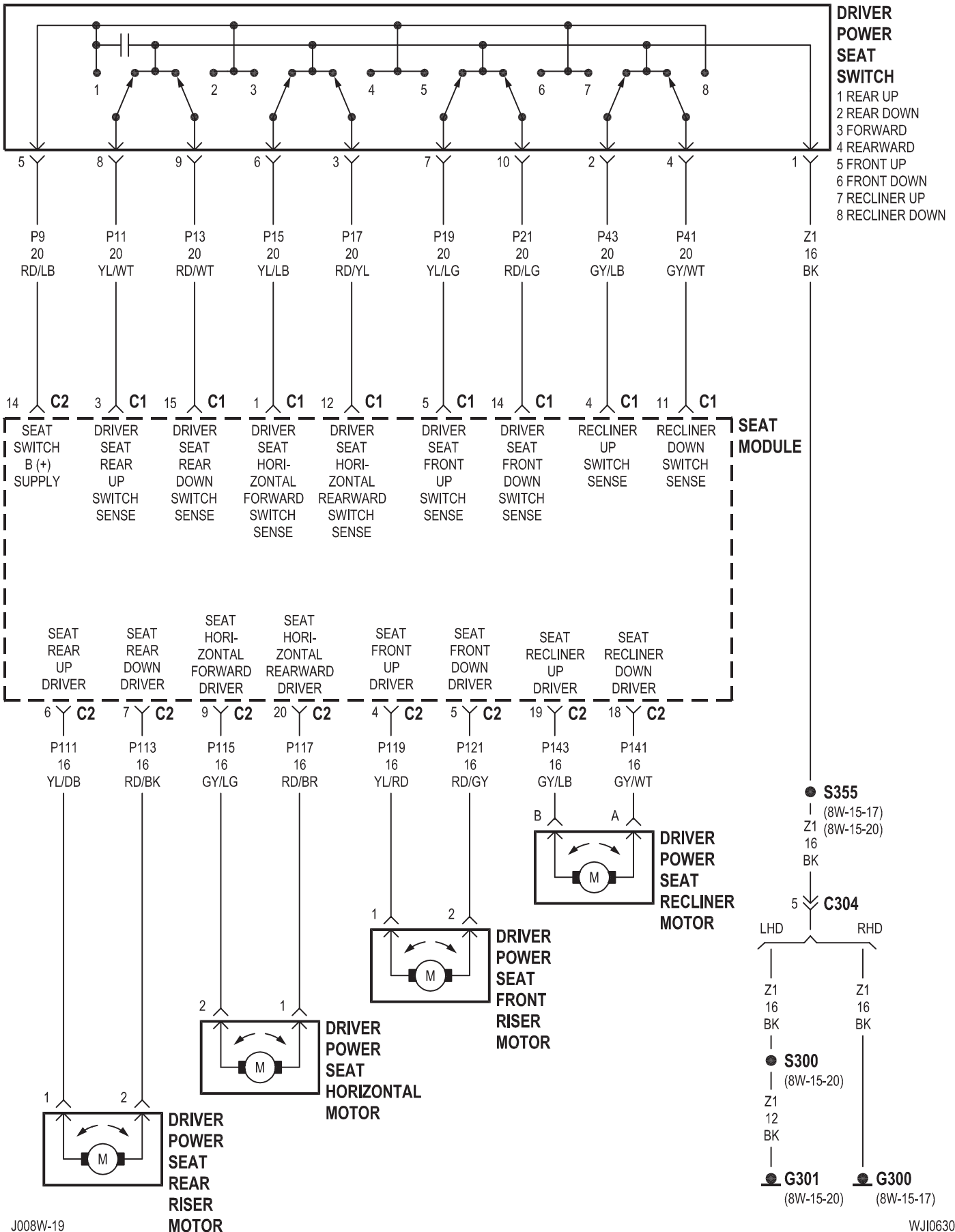


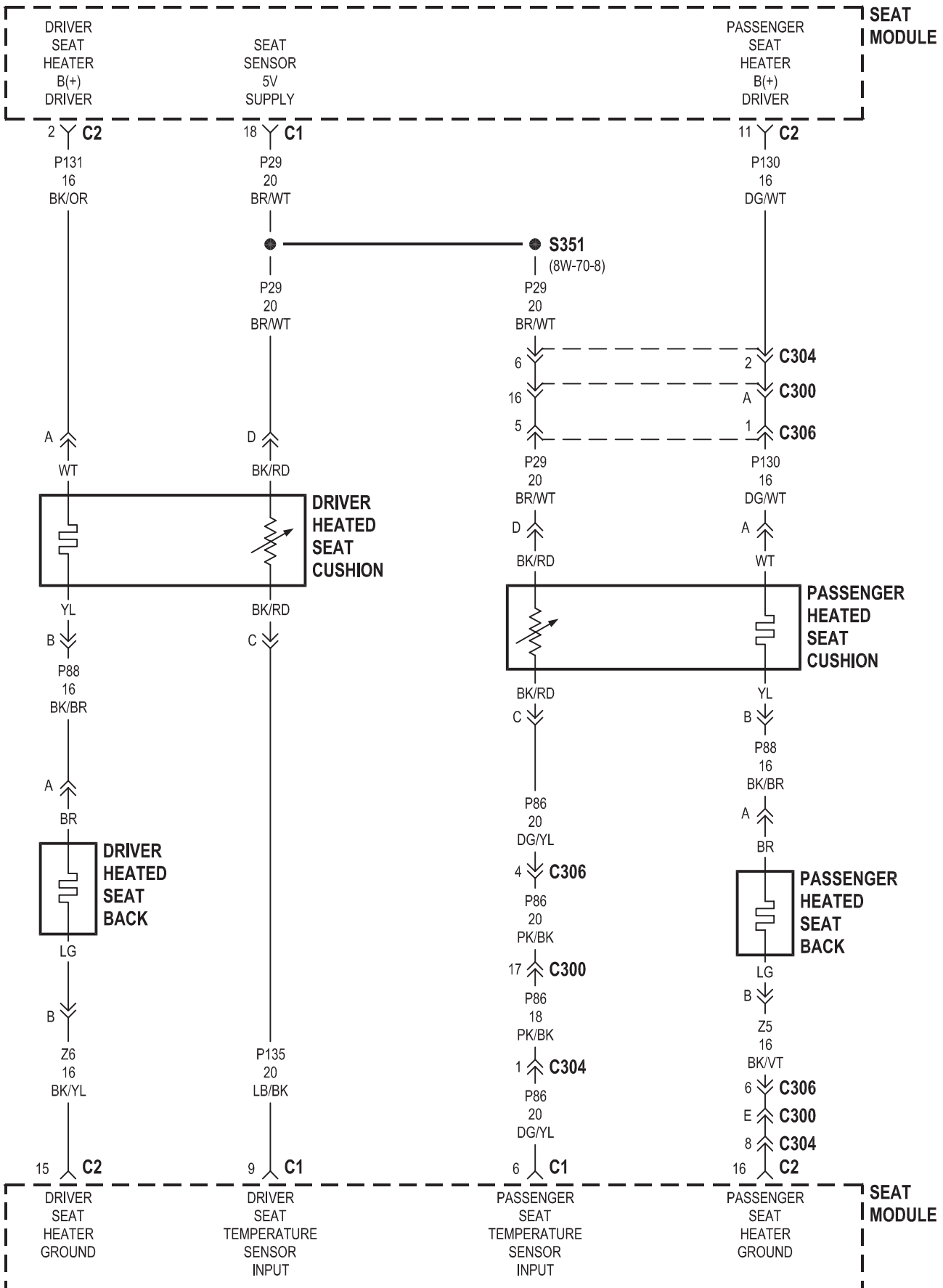


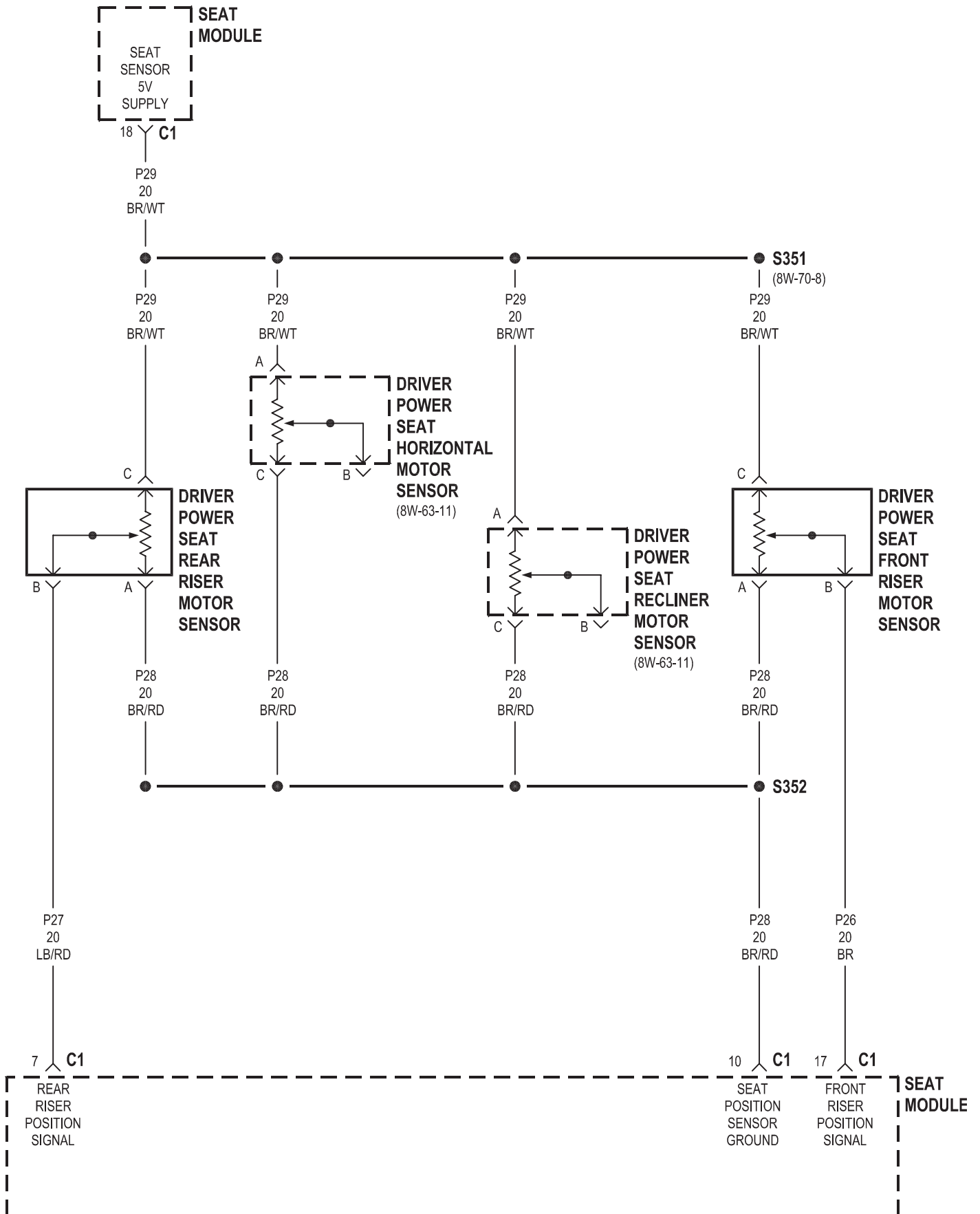


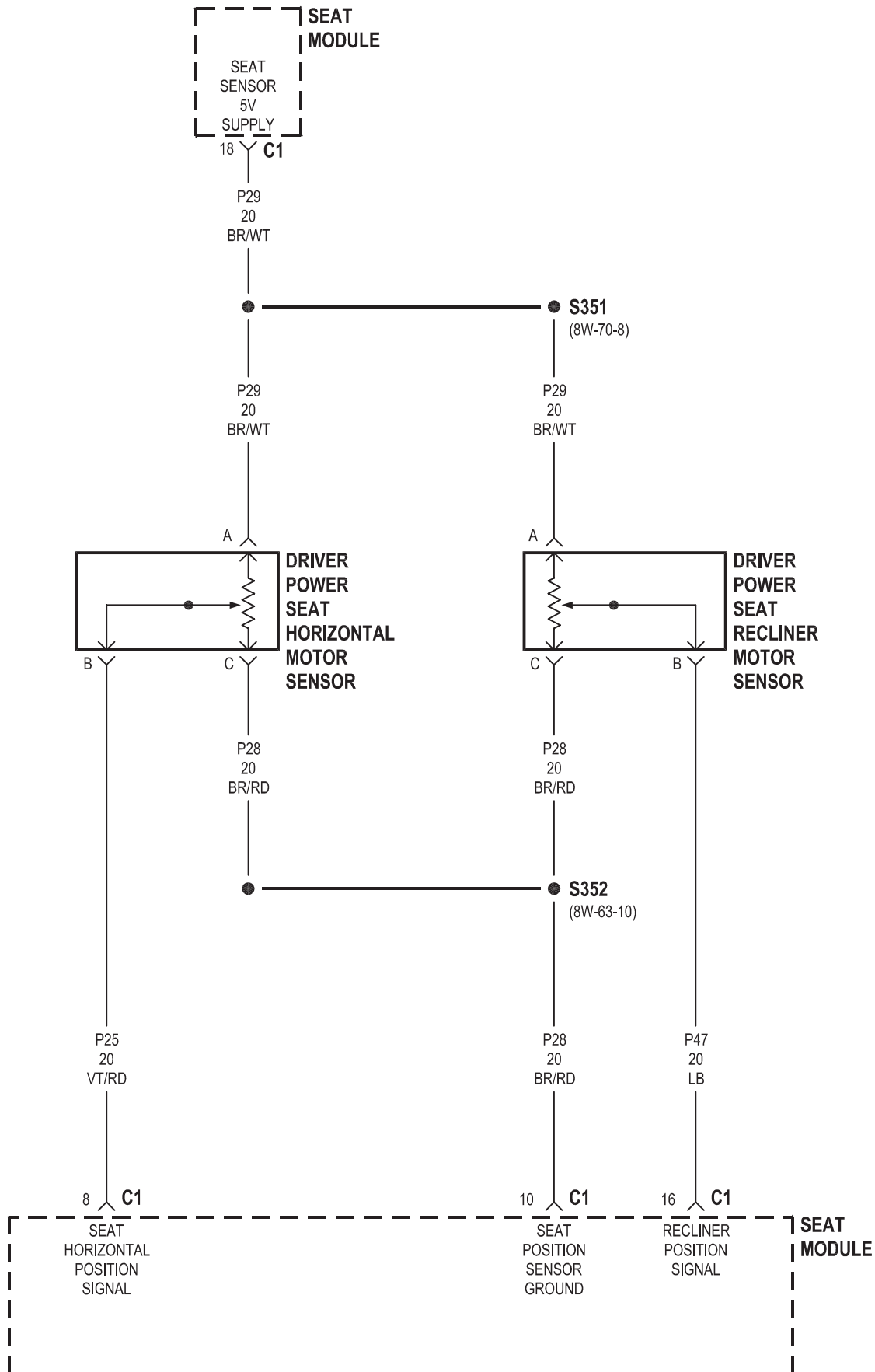


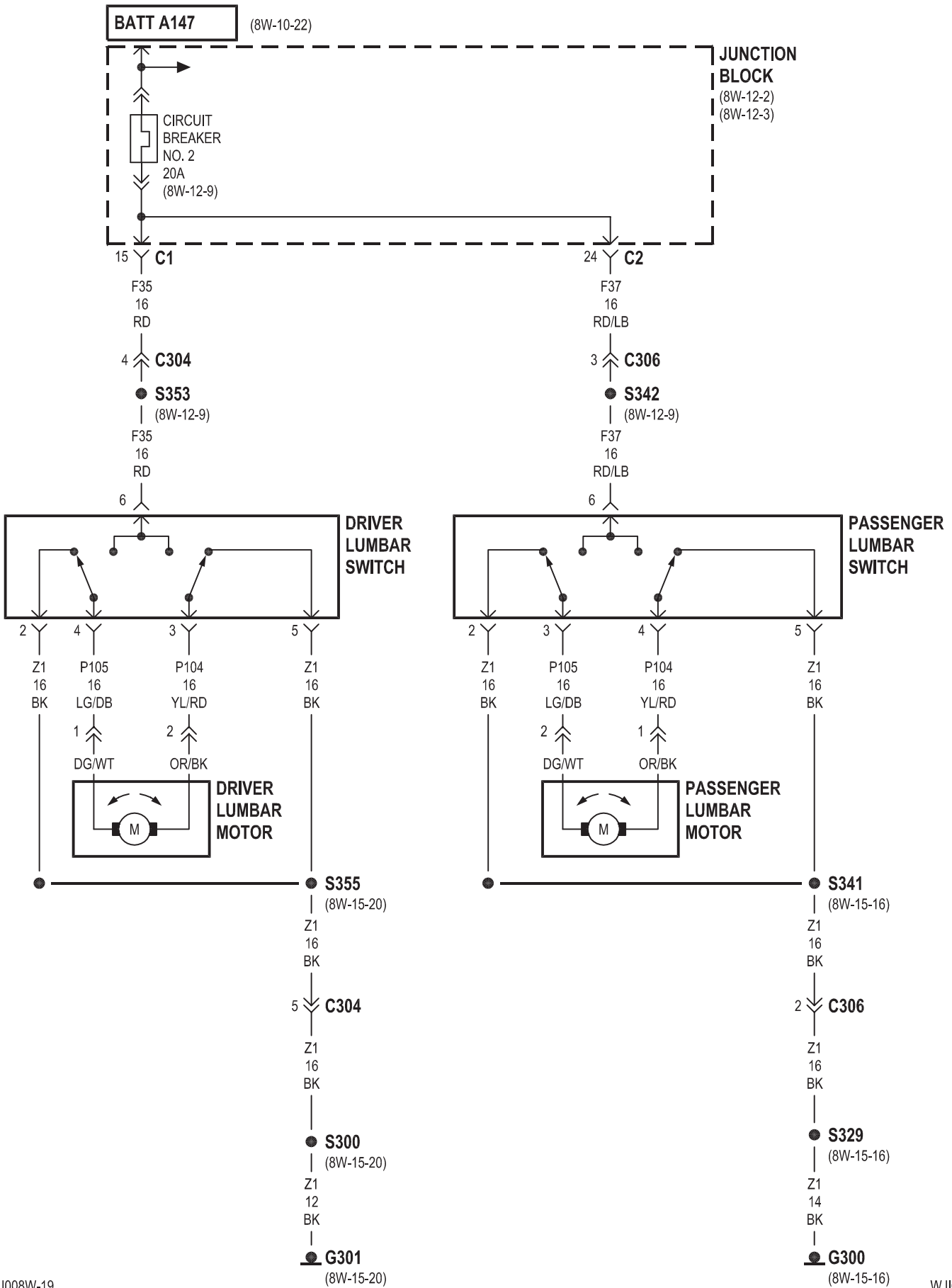


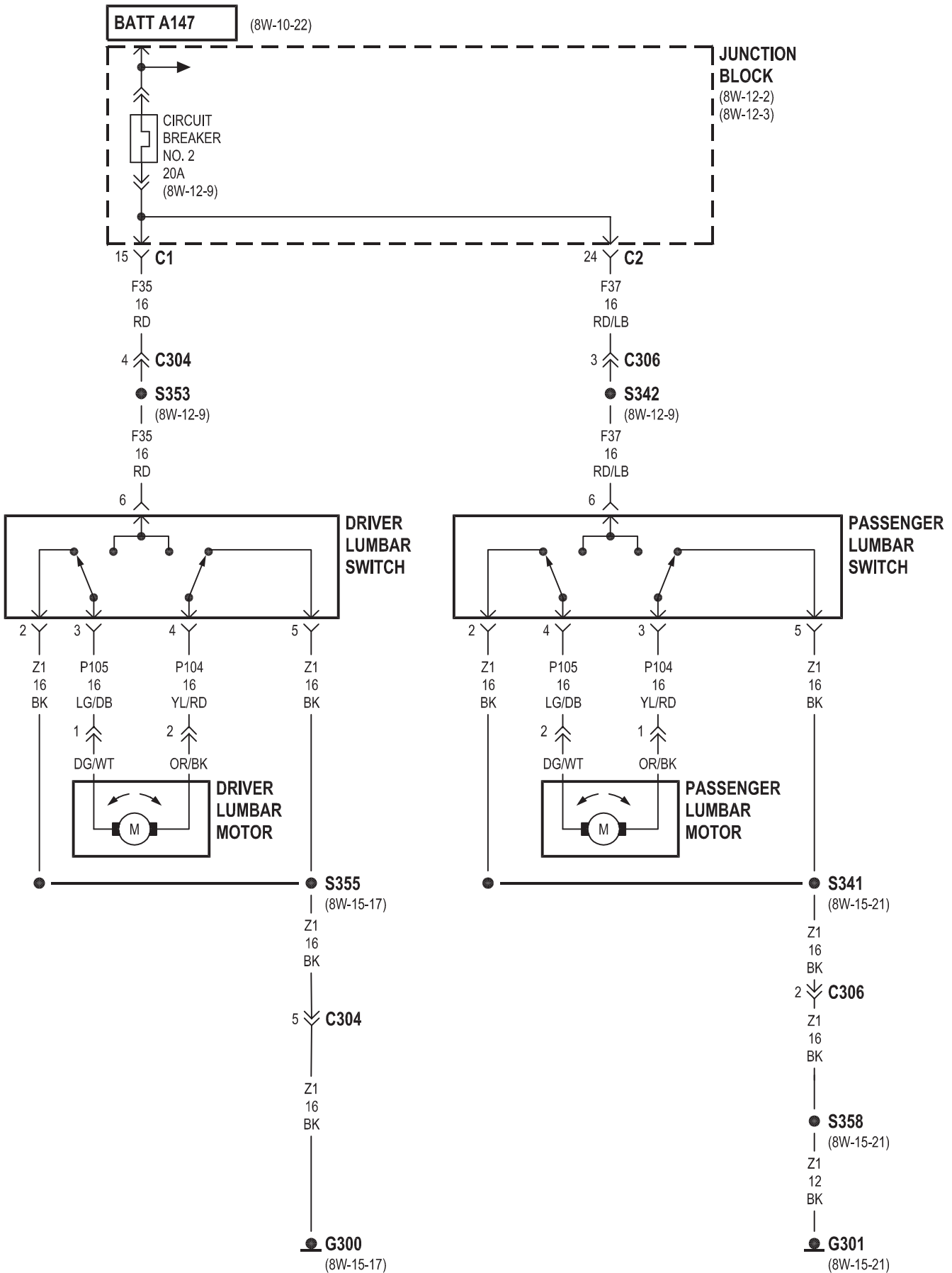


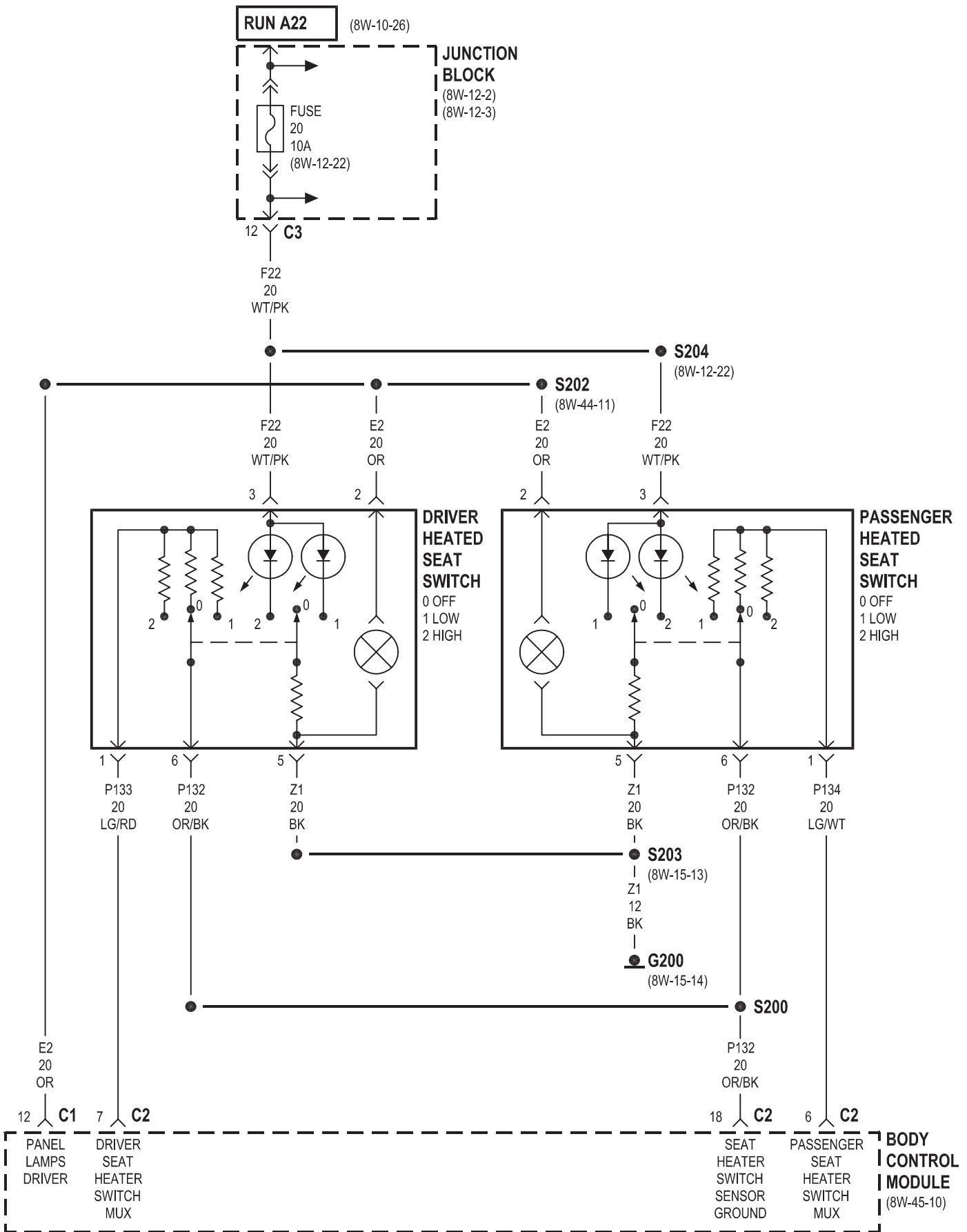






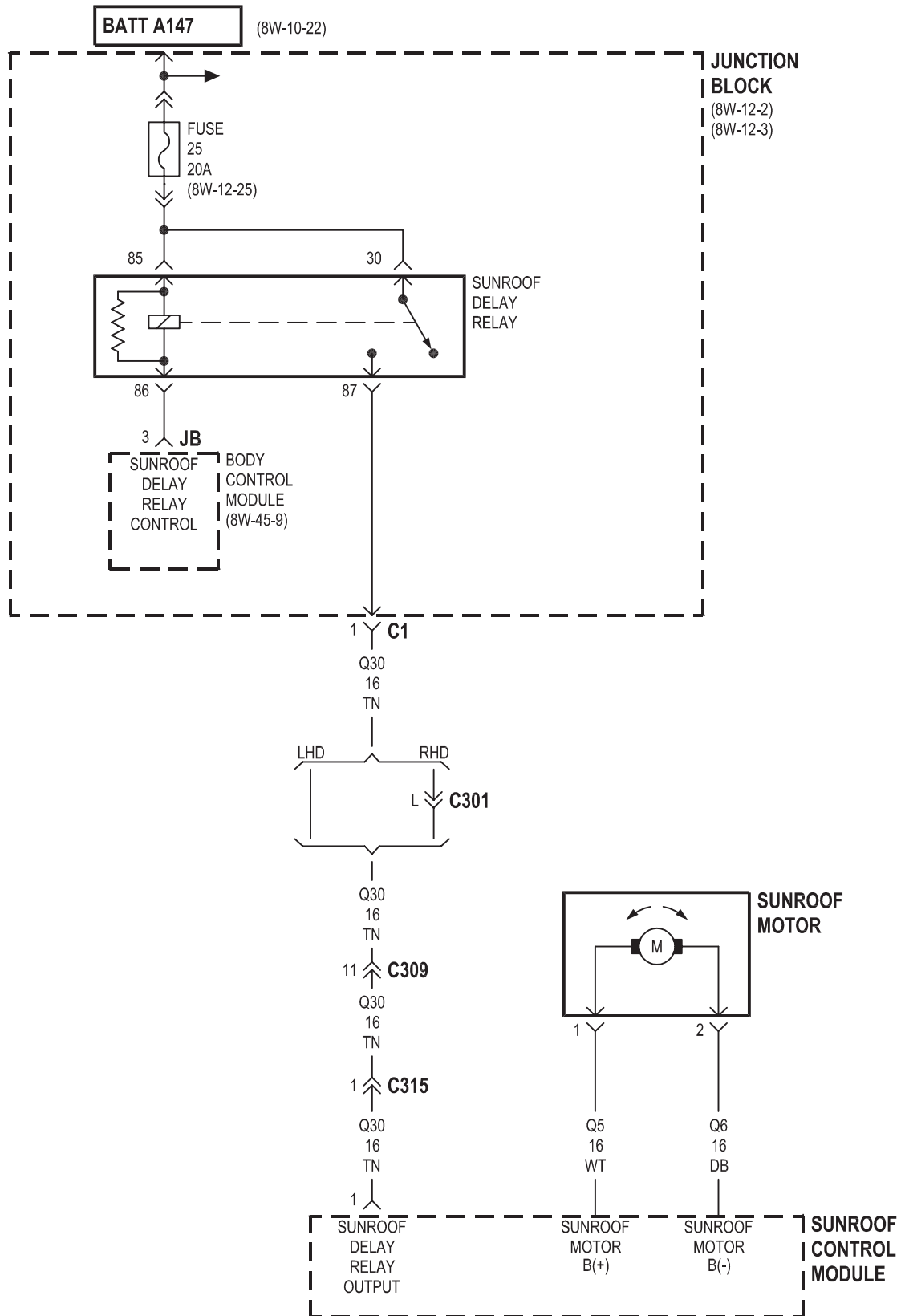


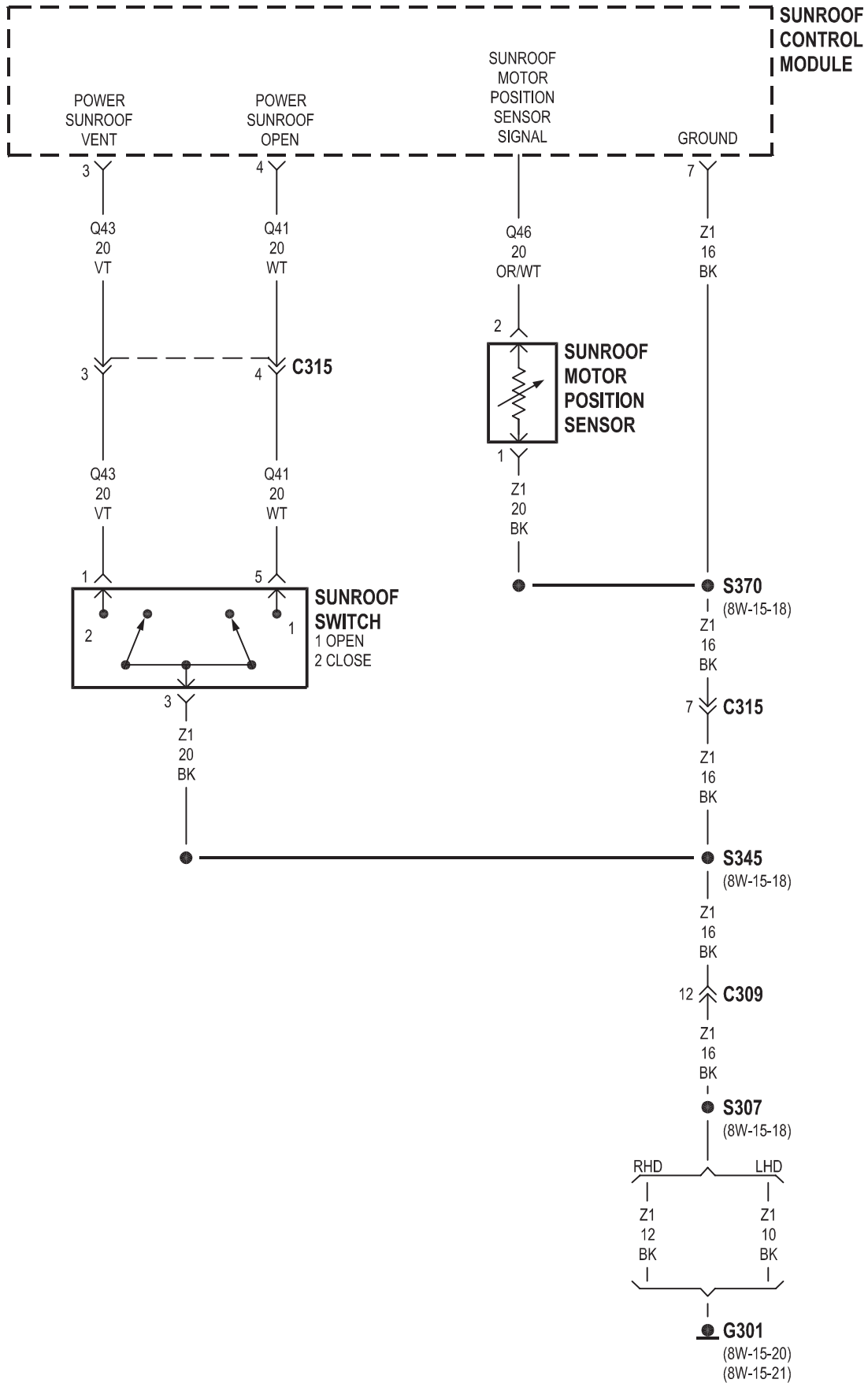




8W-64 POWER SUNROOF

Component	Page	Component	Page
Body Control Module	8W-64-2	Sunroof Delay Relay	8W-64-2
Fuse 25 (JB)	8W-64-2	Sunroof Motor	8W-64-2
G301	8W-64-3	Sunroof Motor Position Sensor	8W-64-3
Junction Block	8W-64-2	Sunroof Switch	8W-64-3
Sunroof Control Module	8W-64-2, 3		

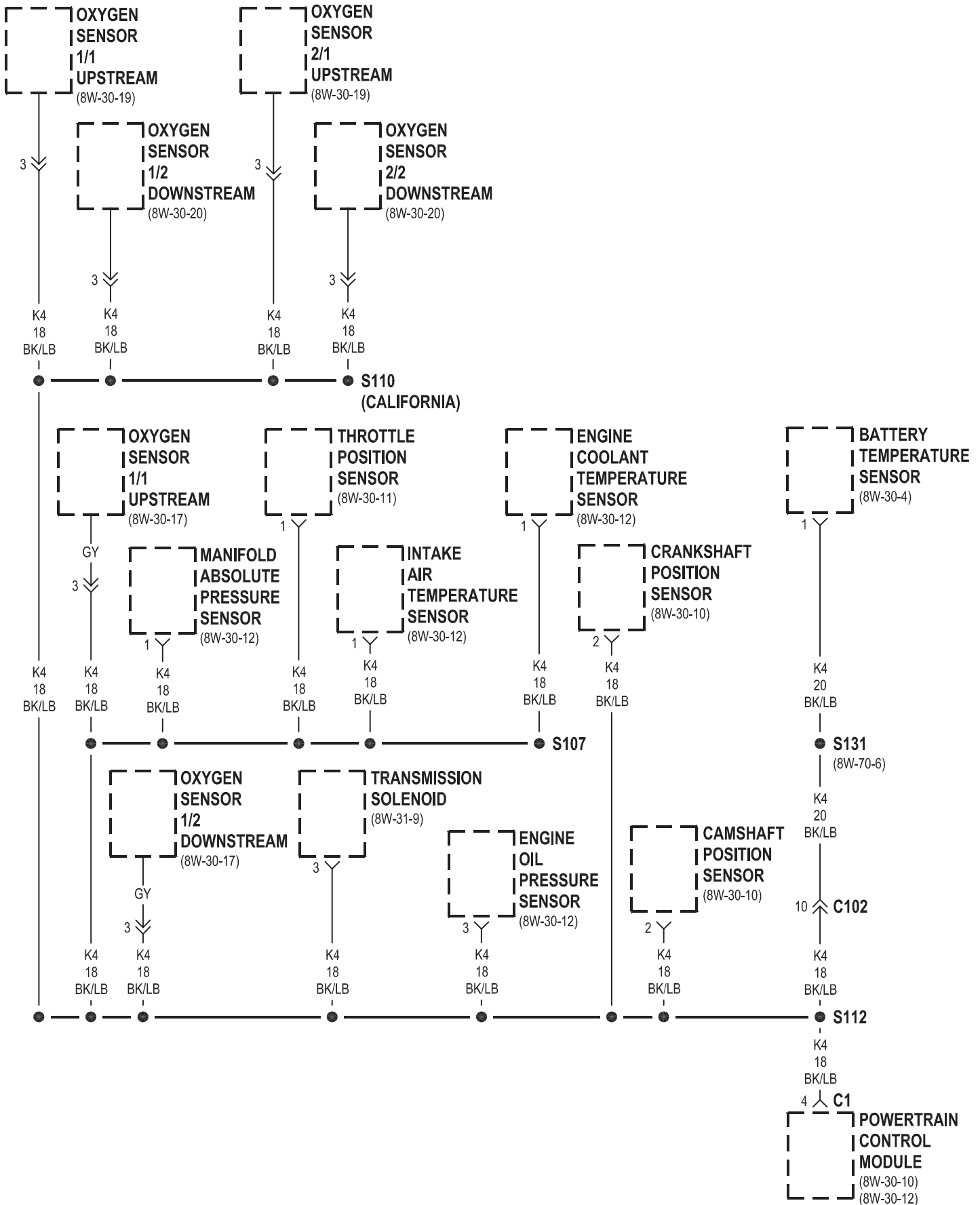




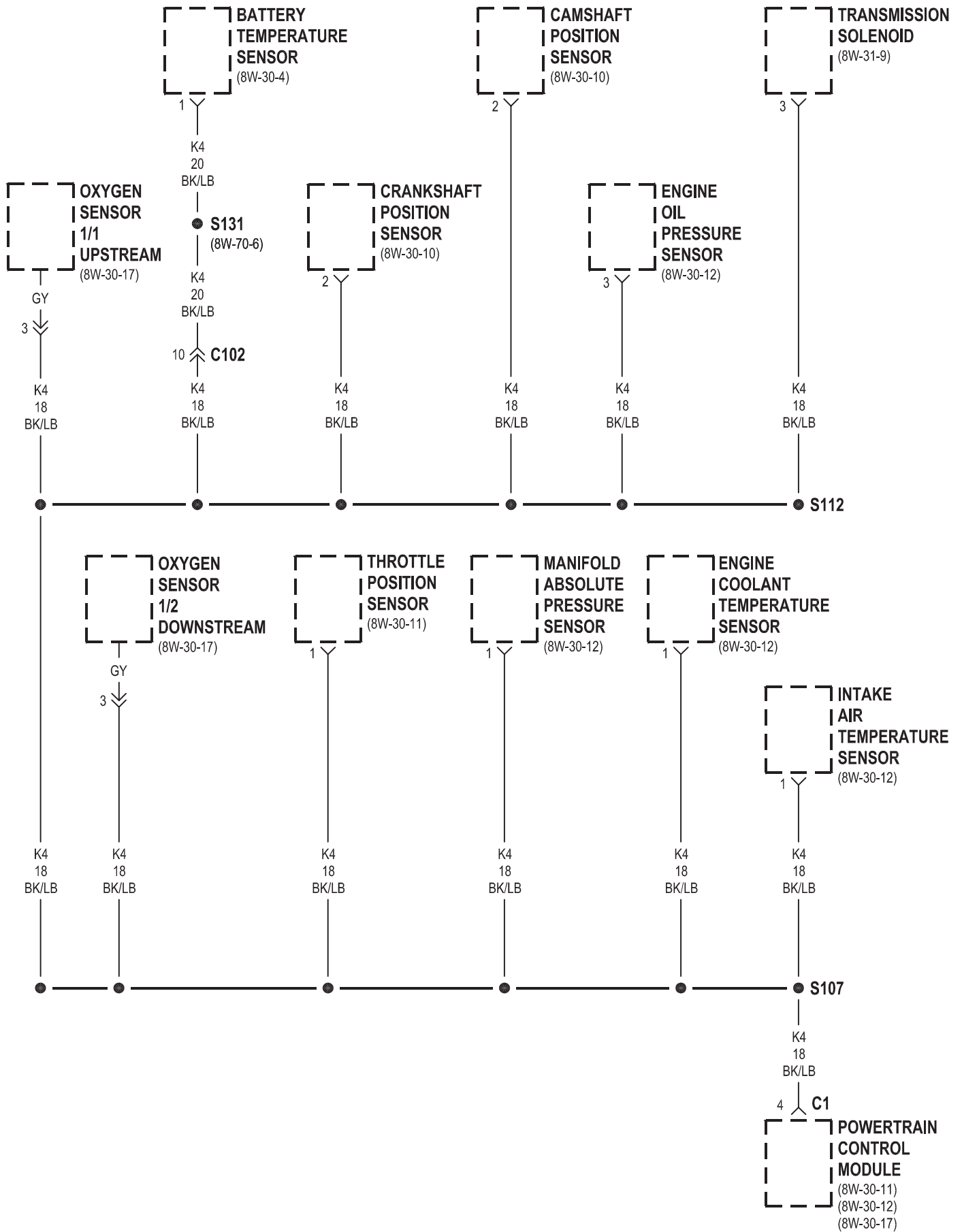
8W-70 SPLICE INFORMATION

Component	Page	Component	Page
S100	8W-10-11, 12	S300	8W-15-20
S102	8W-30-12, 38	S301	8W-15-20
S103	8W-15-3	S302	8W-61-5
S104	8W-15-3	S303	8W-61-5
S105	8W-30-11	S304	8W-12-16
S106	8W-10-19	S305	8W-30-27
S107	8W-70-2, -3, 4	S306	8W-12-27
S108	8W-10-29	S307	8W-15-18
S109	8W-10-20	S308	8W-12-37
S110	8W-70-2	S309	8W-12-12
S112	8W-70-2, -3, -4, 5	S310	8W-51-6, 7
S113	8W-31-14	S311	8W-51-5
S114	8W-15-2	S312	8W-30-27, 30
S115	8W-10-17	S313	8W-51-5
S116	8W-12-18	S314	8W-30-21, 33
S117	8W-12-31, 32	S315	8W-70-6
S118	8W-10-21, 23	S316	8W-12-18
S119	8W-31-7	S317	8W-61-5, 6
S120	8W-30-11	S318	8W-61-5, 6
S121	8W-10-20	S324	8W-30-26, 29
S122	8W-31-5, 6	S325	8W-12-31
S124	8W-10-21	S326	8W-12-12, 13
S125	8W-30-24, 39	S327	8W-12-33
S126	8W-30-15	S328	8W-51-6
S127	8W-10-25	S329	8W-15-16
S128	8W-10-19, 23	S330	8W-15-15
S129	8W-12-18	S331	8W-15-16, 17
S130	8W-30-26, 29	S332	8W-15-16, 17
S131	8W-70-6	S333	8W-30-25
S132	8W-15-8, -9, 10	S334	8W-12-11
S133	8W-15-8, 10	S336	8W-15-15
S134	8W-15-5, 6	S338	8W-15-15
S135	8W-10-18	S339	8W-61-5, 6
S136	8W-10-18	S340	8W-61-5, 6
S137	8W-10-30	S341	8W-15-16, 21
S138	8W-15-2	S342	8W-12-9
S139	8W-15-2	S345	8W-15-18
S140	8W-15-6	S346	8W-12-16
S141	8W-15-5	S347	8W-12-30
S142	8W-50-8	S348	8W-12-19
S143	8W-50-11	S349	8W-12-23
S144	8W-10-23	S351	8W-70-8
S145	8W-70-7	S352	8W-63-10
S146	8W-30-41	S353	8W-12-9
S147	8W-30-45	S355	8W-15-17, 20
S148	8W-30-41	S356	8W-15-20, 21
S149	8W-12-32	S357	8W-15-15, 17
S150	8W-30-33	S358	8W-15-21
S151	8W-15-4	S359	8W-50-9
S152	8W-15-7	S360	8W-47-4
S153	8W-12-14	S361	8W-47-4
S154	8W-12-34	S362	8W-47-4
S155	8W-12-34	S363	8W-47-4
S156	8W-12-14	S364	8W-30-29
S201	8W-15-14	S365	8W-39-12
S202	8W-44-11	S366	8W-12-15
S203	8W-15-13	S367	8W-12-37
S204	8W-12-22	S368	8W-47-3
S205	8W-15-14	S370	8W-15-18
S206	8W-12-22	S400	8W-12-17
S207	8W-12-16	S401	8W-15-19
S208	8W-44-9	S402	8W-15-19
S209	8W-12-11	S403	8W-12-16
S210	8W-30-28, 31	S404	8W-12-30
S211	8W-15-12	S405	8W-12-30
S212	8W-53-2, 3	S406	8W-54-6
S213	8W-33-5	S407	8W-54-6
S214	8W-33-5	S408	8W-15-18
S215	8W-47-13	S409	8W-15-18
S216	8W-47-13	S410	8W-15-18
S217	8W-15-14	S411	8W-12-12, 13
S218	8W-12-36	S412	8W-15-19
S219	8W-12-23	S413	8W-54-7
S220	8W-39-3		

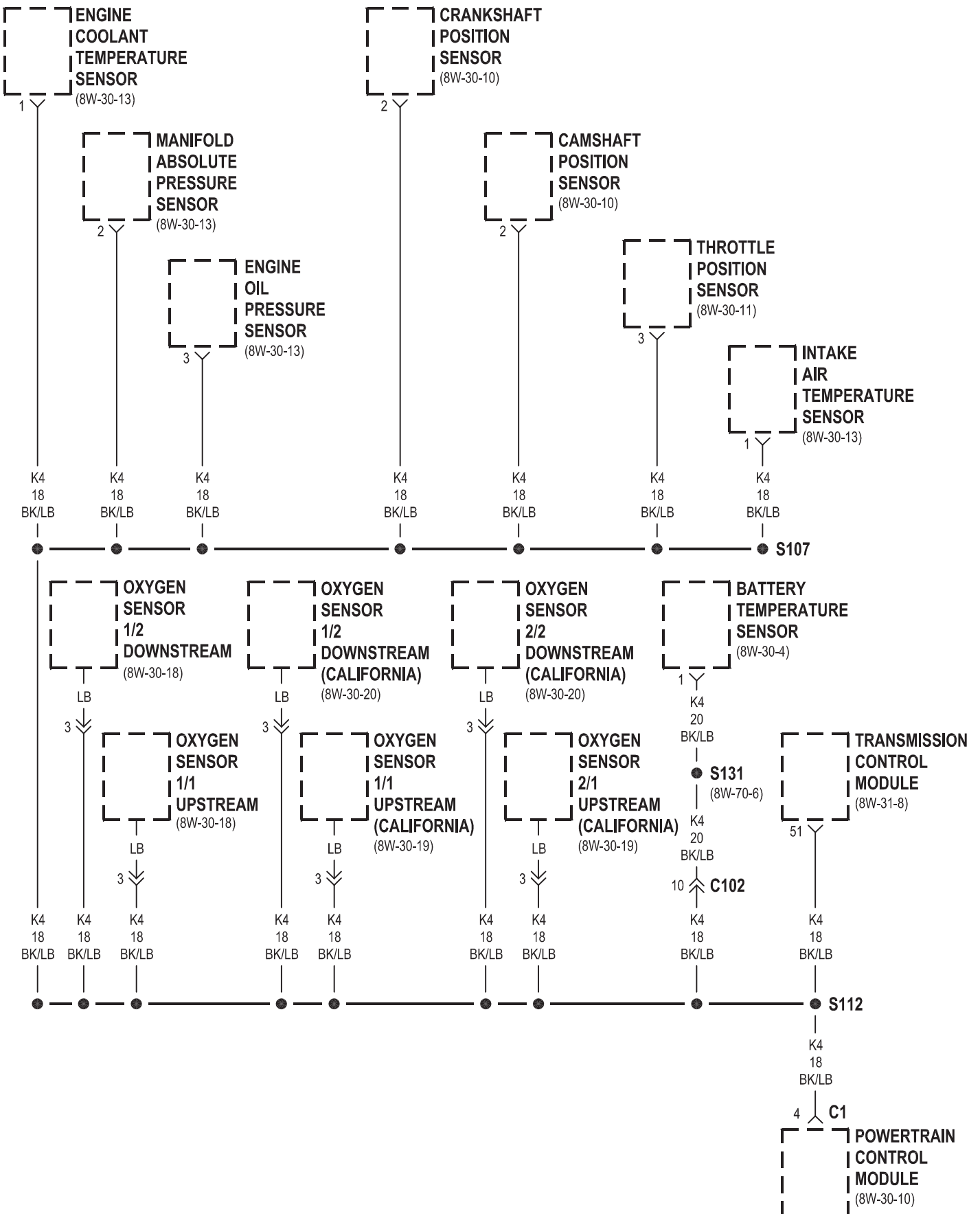
4.0L LHD

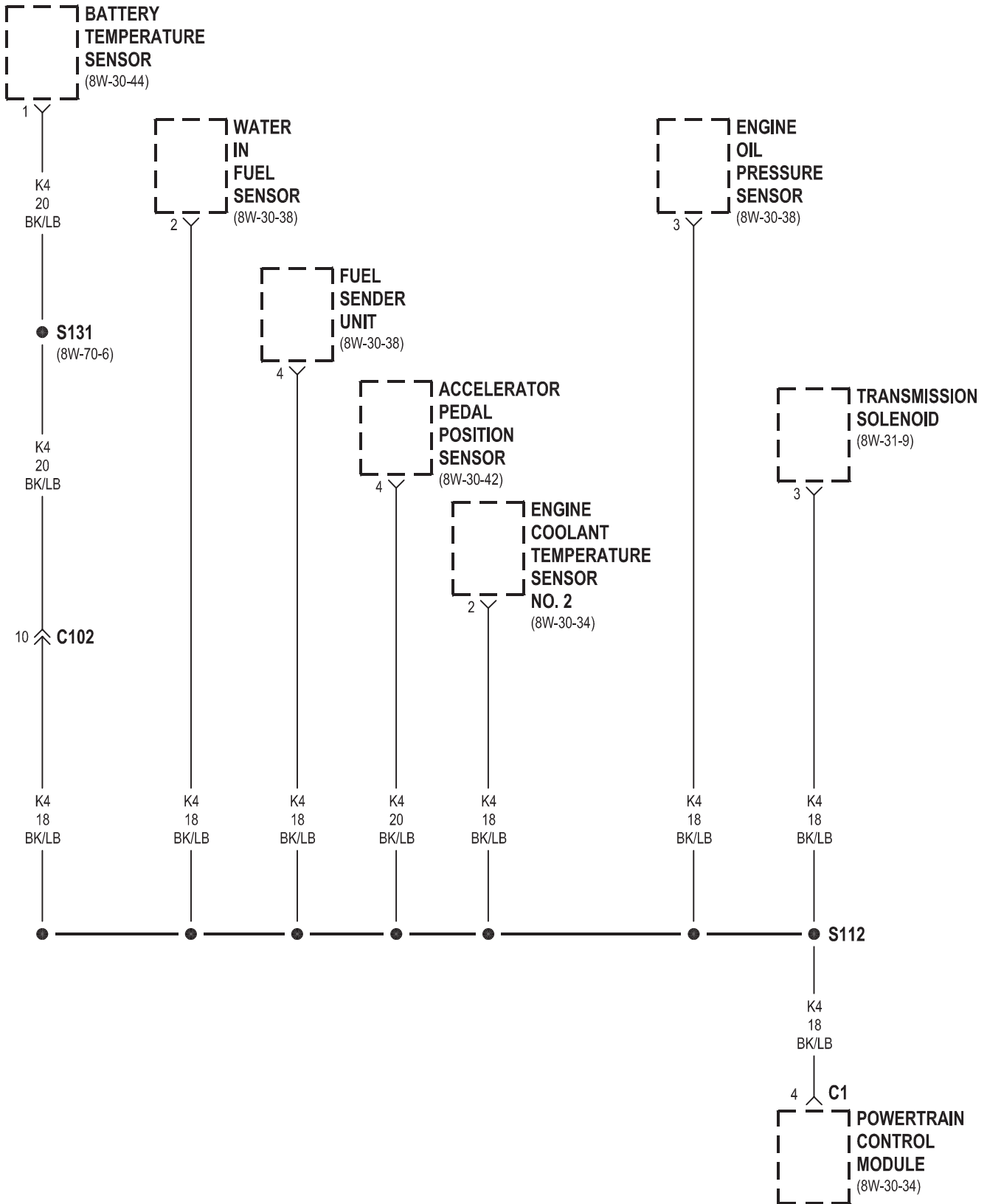


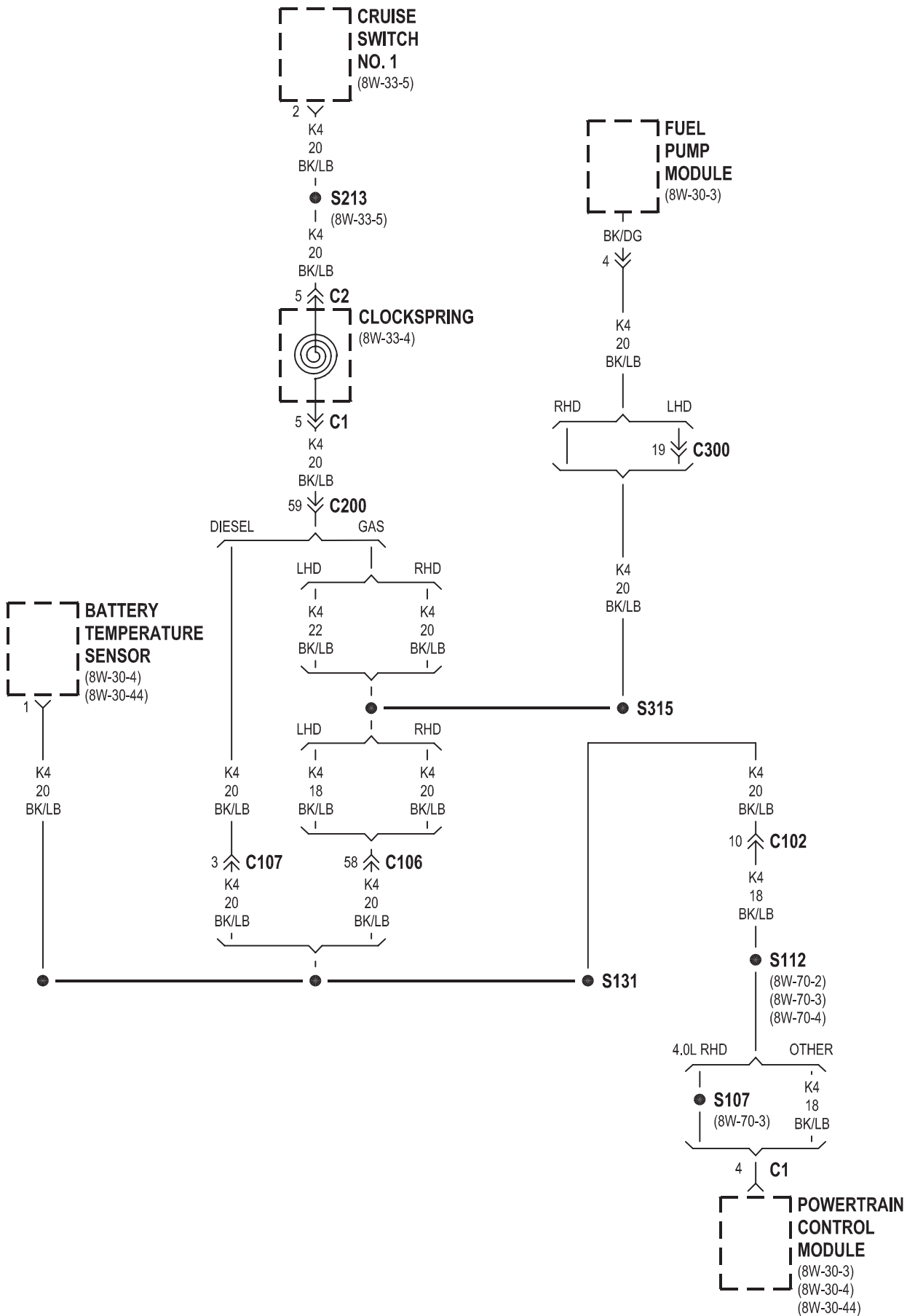
4.0L RHD

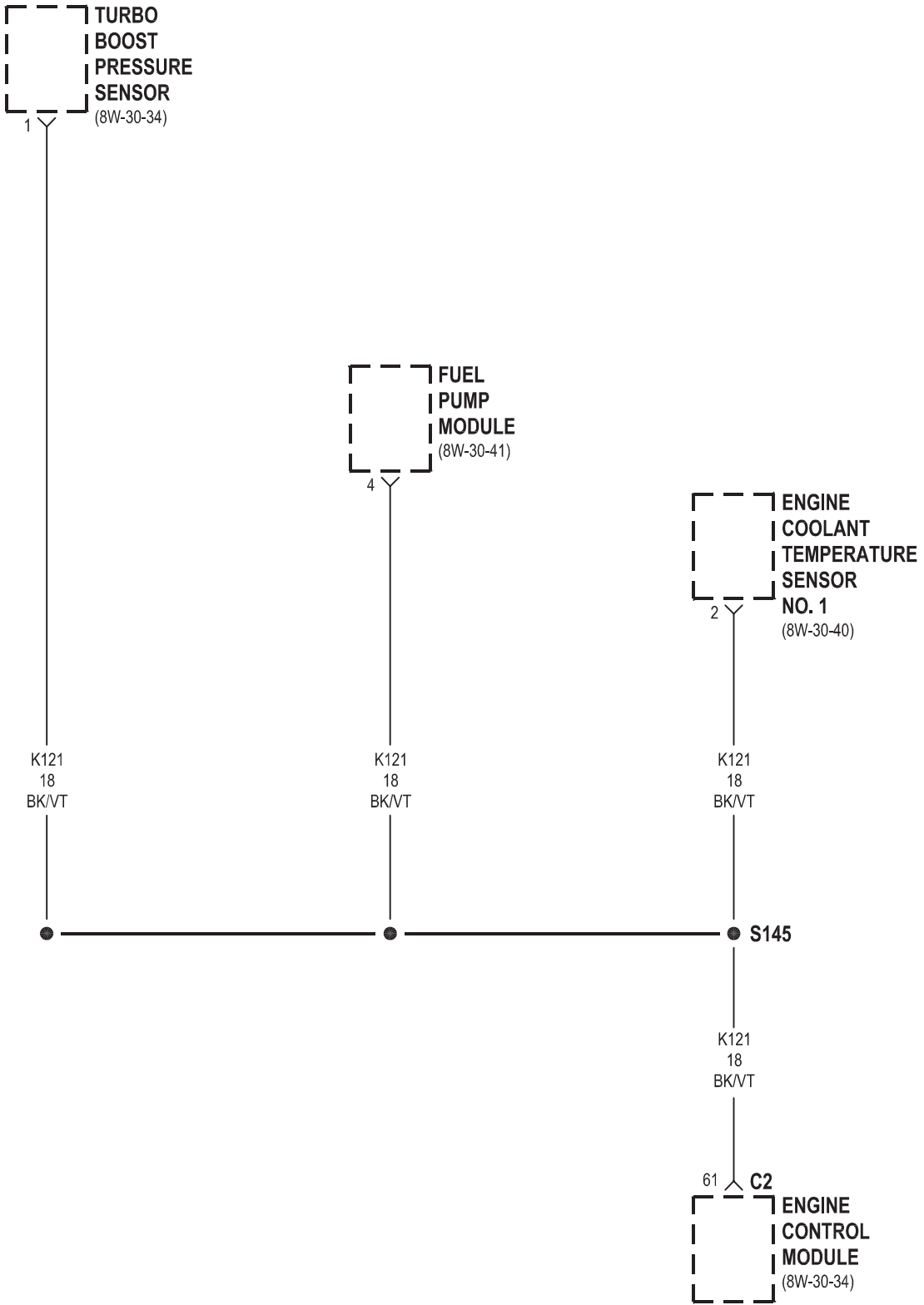


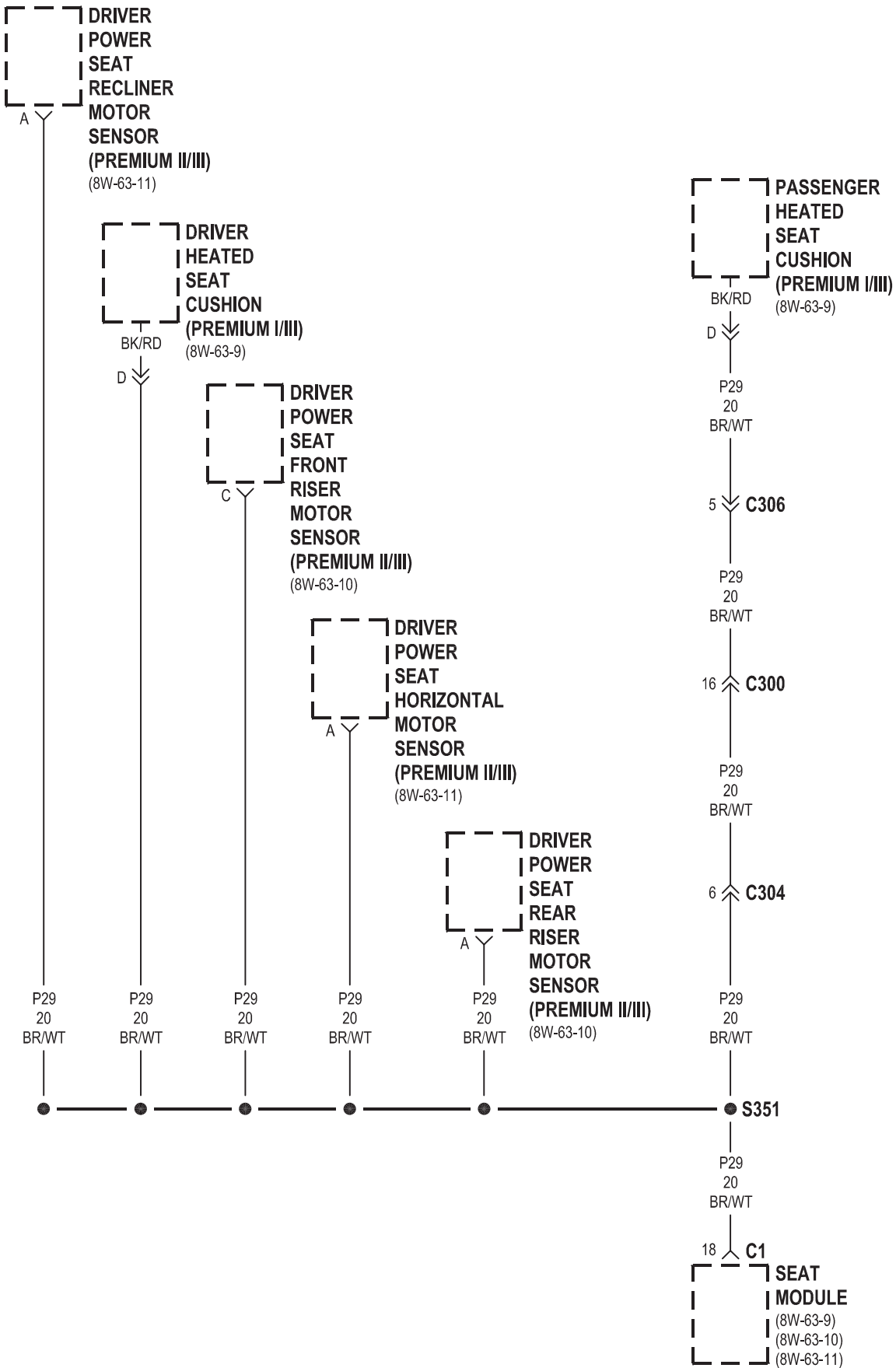
4.7L











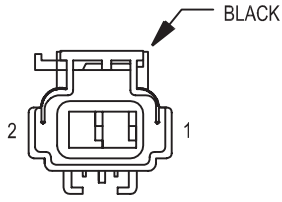
8W-80 CONNECTOR PIN-OUTS

Component	Page	Component	Page
A/C Compressor Clutch	8W-80-4	Capacitor No. 1	8W-80-34
A/C High Pressure Switch	8W-80-4	Capacitor No. 2	8W-80-34
A/C Low Pressure Switch	8W-80-4	Cargo Lamp	8W-80-35
Accelerator Pedal Position Sensor	8W-80-4	Center High Mounted Stop Lamp	8W-80-35
Airbag Control Module	8W-80-5	Chime	8W-80-35
Ambient Temperature Sensor	8W-80-6	Cigar Lighter	8W-80-35
Antenna Module	8W-80-6	Clockspring	8W-80-36
Ash Receiver Lamp	8W-80-6	Coil On Plug No. 1	8W-80-36
Automatic Day/Night Mirror	8W-80-6	Coil On Plug No. 2	8W-80-36
Automatic Headlamp Light		Coil On Plug No. 3	8W-80-37
Sensor/VTSS LED	8W-80-6	Coil On Plug No. 4	8W-80-37
Automatic Zone Control Module	8W-80-7	Coil On Plug No. 5	8W-80-37
Battery Temperature Sensor	8W-80-8	Coil On Plug No. 6	8W-80-37
Blower Motor	8W-80-8	Coil On Plug No. 7	8W-80-37
Blower Motor Controller	8W-80-8	Coil On Plug No. 8	8W-80-38
Blower Motor Resistor Block	8W-80-8	Compact Disc Changer	8W-80-38
Body Control Module	8W-80-9, 10	Controller Anti-Lock Brake	8W-80-38
Brake Lamp Switch	8W-80-10	Coolant Level Sensor	8W-80-39
Brake Shift Interlock Solenoid	8W-80-10	Crankshaft Position Sensor	8W-80-39
Brake Warning Indicator Switch	8W-80-10	Cruise Switch No. 1	8W-80-40
C100	8W-80-11	Cruise Switch No. 2	8W-80-40
C102	8W-80-11	Data Link Connector	8W-80-40
C103	8W-80-12	Diagnostic Junction Port	8W-80-40
C104	8W-80-13	Driver Blend Door Motor/Actuator	8W-80-41
C105	8W-80-13	Driver Door Courtesy Lamp	8W-80-41
C106	8W-80-14, 15, 16, 17	Driver Door Cylinder Lock Switch	8W-80-41
C107	8W-80-18, 19, 20, 21	Driver Door Lock Motor/Ajar Switch	8W-80-41
C108	8W-80-22	Driver Door Module	8W-80-42, 43
C109	8W-80-22	Driver Heated Seat Back	8W-80-43
C110	8W-80-22	Driver Heated Seat Cushion	8W-80-43
C111	8W-80-22	Driver Heated Seat Switch	8W-80-44
C112	8W-80-22	Driver Lumbar Motor	8W-80-44
C200	8W-80-23, 24	Driver Lumbar Switch	8W-80-44
C201	8W-80-24	Driver Power Mirror	8W-80-45
C202	8W-80-25	Driver Power Seat Front Riser Motor	8W-80-45
C203	8W-80-25	Driver Power Seat Front Riser	
C300	8W-80-26, 27	Motor Sensor	8W-80-46
C301	8W-80-28, 29	Driver Power Seat Horizontal Motor	8W-80-46
C302	8W-80-29	Driver Power Seat Horizontal	
C303	8W-80-30	Motor Sensor	8W-80-46
C304	8W-80-30	Driver Power Seat Rear Riser Motor	8W-80-47
C306	8W-80-30	Driver Power Seat Rear Riser	
C307	8W-80-31	Motor Sensor	8W-80-47
C308	8W-80-31	Driver Power Seat Recliner Motor	8W-80-47
C309	8W-80-31	Driver Power Seat Recliner Motor Sensor	8W-80-47
C310	8W-80-32	Driver Power Seat Switch	8W-80-48
C311	8W-80-33	Driver Power Window Motor	8W-80-49
C312	8W-80-33	Duty Cycle Evap/Purge Solenoid	8W-80-49
C313	8W-80-33	EGR Solenoid	8W-80-49
C314	8W-80-33	Engine Control Module	8W-80-50, 51
C315	8W-80-34	Engine Coolant Temperature Sensor	8W-80-51
Camshaft Position Sensor	8W-80-34		

Component	Page	Component	Page
Engine Coolant Temperature Sensor No. 1	8W-80-52	Left Side Repeater	8W-80-70
Engine Coolant Temperature Sensor No. 2	8W-80-52	Left Visor/Vanity Lamp	8W-80-70
Engine Oil Pressure Sensor	8W-80-52	License Lamp No. 1	8W-80-70
Front Power Outlet	8W-80-52	License Lamp No. 2	8W-80-71
Fuel Heater	8W-80-53	Liftgate Flip-Up Ajar Switch	8W-80-71
Fuel Injector No. 1	8W-80-53	Liftgate Flip-Up Push Button Switch	8W-80-71
Fuel Injector No. 2	8W-80-53	Liftgate Flip-Up Release Solenoid	8W-80-71
Fuel Injector No. 3	8W-80-53	Liftgate Lock Motor	8W-80-72
Fuel Injector No. 4	8W-80-53	Line Pressure Sensor	8W-80-72
Fuel Injector No. 5	8W-80-54	Manifold Absolute Pressure Sensor	8W-80-72
Fuel Injector No. 6	8W-80-54	Manual Temperature Control	8W-80-73
Fuel Injector No. 7	8W-80-54	Mode Door Motor/Actuator	8W-80-73
Fuel Injector No. 8	8W-80-54	Needle Movement Sensor	8W-80-74
Fuel Pump Module	8W-80-55	Output Speed Sensor	8W-80-74
Fuel Sender Unit	8W-80-56	Overhead Map/Courtesy Lamp NO. 1	8W-80-74
Generator	8W-80-56	Overhead Map/Courtesy Lamp NO. 1 Switch	8W-80-75
Glove Box Lamp	8W-80-56	Overhead Map/Courtesy Lamp NO. 2	8W-80-75
G-Switch	8W-80-57	Overhead Map/Courtesy Lamp NO. 2 Switch	8W-80-75
Headlamp Leveling Switch	8W-80-57	Oxygen Sensor 1/1 Upstream	8W-80-76
Hood Ajar Switch	8W-80-57	Oxygen Sensor 1/2 Downstream	8W-80-76
Horn No. 1	8W-80-57	Oxygen Sensor 2/1 Upstream	8W-80-77
Horn No. 2	8W-80-58	Oxygen Sensor 2/2 Downstream	8W-80-77
Idle Air Control Motor	8W-80-58	Park/Neutral Position Switch	8W-80-77
Ignition Switch	8W-80-58	Passenger Airbag	8W-80-77
Input Speed Sensor	8W-80-59	Passenger Blend Door Motor/Actuator	8W-80-78
Instrument Cluster	8W-80-59	Passenger Door Courtesy Lamp	8W-80-78
Intake Air Temperature Sensor	8W-80-59	Passenger Door Lock Motor/Ajar Switch	8W-80-78
Junction Block	8W-80-60, 61, 62, 63, 64	Passenger Door Module	8W-80-78, 79
Junction Block Body Control Module	8W-80-64	Passenger Heated Seat Back	8W-80-79
Leak Detection Pump	8W-80-65	Passenger Heated Seat Cushion	8W-80-79
Left Courtesy Lamp	8W-80-65	Passenger Heated Seat Switch	8W-80-80
Left Fog Lamp	8W-80-65	Passenger Lumbar Motor	8W-80-80
Left Front Door Speaker	8W-80-65	Passenger Lumbar Switch	8W-80-80
Left Front Park Lamp	8W-80-65	Passenger Power Mirror	8W-80-80
Left Front Park/Turn Signal Lamp	8W-80-66	Passenger Power Seat Front Riser Motor	8W-80-80
Left Front Side Marker Lamp	8W-80-66	Passenger Power Seat Horizontal Motor	8W-80-81
Left Front Turn Signal Lamp	8W-80-66	Passenger Power Seat Rear Riser Motor	8W-80-81
Left Front Wheel Speed Sensor	8W-80-66	Passenger Power Seat Recliner Motor	8W-80-81
Left Handle Courtesy Lamp Switch	8W-80-66	Passenger Power Seat Switch	8W-80-81, 82
Left Headlamp Leveling Motor	8W-80-67	Passenger Power Window Motor	8W-80-82
Left High Beam Headlamp	8W-80-67	Power Amplifier	8W-80-82, 83
Left Instrument Panel Speaker	8W-80-67	Power Connector	8W-80-83
Left Liftgate Ajar Switch	8W-80-67	Powertrain Control Module	8W-80-84, 85, 86, 87, 88, 89
Left Low Beam Headlamp	8W-80-67	Radiator Fan Motor	8W-80-90
Left Multi-Function Switch	8W-80-68	Radiator Fan Relay	8W-80-90
Left Rear Door Lock Motor/Ajar Switch	8W-80-68	Radio	8W-80-90, 91
Left Rear Door Speaker	8W-80-68	Rail Coil	8W-80-91
Left Rear Lamp Assembly	8W-80-69	Rear Power Outlet	8W-80-91
Left Rear Power Window Motor	8W-80-69	Rear Washer Pump	8W-80-91
Left Rear Power Window Switch	8W-80-69	Rear Wiper Motor	8W-80-92
Left Rear Wheel Speed Sensor	8W-80-70	Recirculation Door Motor/Actuator	8W-80-92
Left Remote Radio Switch	8W-80-70		

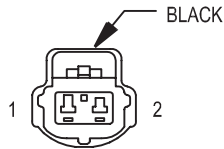
Component	Page
Remote Keyless Module	8W-80-92
Right Courtesy Lamp	8W-80-93
Right Fog Lamp	8W-80-93
Right Front Door Speaker	8W-80-93
Right Front Park Lamp	8W-80-94
Right Front Park/Turn Signal Lamp	8W-80-94
Right Front Side Marker Lamp	8W-80-94
Right Front Turn Signal Lamp	8W-80-94
Right Front Wheel Speed Sensor	8W-80-95
Right Handle Courtesy Lamp Switch	8W-80-95
Right Headlamp Leveling Motor	8W-80-96
Right High Beam Headlamp	8W-80-96
Right Instrument Panel Speaker	8W-80-96
Right Liftgate Ajar Switch	8W-80-96
Right Low Beam Headlamp	8W-80-97
Right Multi-Function	8W-80-97
Right Rear Door Lock Motor/Ajar Switch	8W-80-97
Right Rear Door Speaker	8W-80-97
Right Rear Lamp Assembly	8W-80-98
Right Rear Power Window Motor	8W-80-98
Right Rear Power Window Switch	8W-80-98
Right Rear Wheel Speed Sensor	8W-80-99
Right Remote Radio Switch	8W-80-99
Right Side Repeater	8W-80-99
Right Visor/Vanity Lamp	8W-80-99
Seat Belt Switch	8W-80-99
Seat Module	8W-80-100

Component	Page
Sentry Key Immobilizer Module	8W-80-101
Sunroof Control Module	8W-80-101
Sunroof Motor	8W-80-101
Sunroof Motor Position Sensor	8W-80-101
Sunroof Switch	8W-80-101
Temperature Valve Actuator	8W-80-102
Throttle Position Sensor	8W-80-102
Trailer Tow Brake Lamp Relay	8W-80-103
Trailer Tow Circuit Breaker	8W-80-103
Trailer Tow Connector	8W-80-103, 104
Trailer Tow Left Turn Relay	8W-80-104
Trailer Tow Right Turn Relay	8W-80-105
Transfer Case Switch	8W-80-105
Transmission Control Module	8W-80-106, 107
Transmission Solenoid	8W-80-107
Transmission Solenoid/TRS Assembly	8W-80-108
Turbo Boost Pressure Sensor	8W-80-108
Underhood Lamp	8W-80-108
United Kingdom Security System Module	8W-80-109
Vehicle Information Center	8W-80-109
Vehicle Speed Control Servo	8W-80-109
Washer Fluid Level Switch	8W-80-109
Water In Fuel Sensor	8W-80-110
Windshield Washer Pump	8W-80-110
Windshield Wiper Motor	8W-80-110



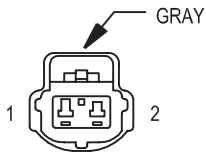
**A/C
COMPRESSOR
CLUTCH**

CAV	CIRCUIT	FUNCTION
1	C2 18DB/YL	A/C COMPRESSOR CLUTCH RELAY OUTPUT
2	Z1 18BK	GROUND



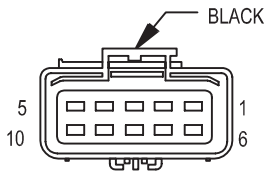
**A/C HIGH
PRESSURE
SWITCH**

CAV	CIRCUIT	FUNCTION
1	C18 18DB ■	A/C PRESSURE SIGNAL
	C18 20DB ■■	A/C PRESSURE SIGNAL
2	C21 20DB/YL	A/C SWITCH SENSE



**A/C LOW
PRESSURE
SWITCH**

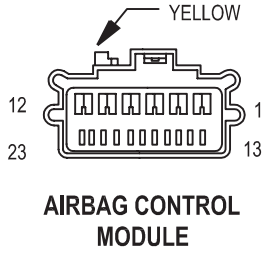
CAV	CIRCUIT	FUNCTION
1	C21 20DB/YL	A/C SWITCH SENSE
2	Z1 20BK	GROUND



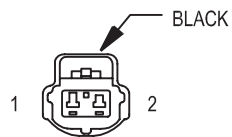
**ACCELERATOR
PEDAL
POSITION
SENSOR
(DIESEL)**

CAV	CIRCUIT	FUNCTION
1	-	-
2	K7 18OR	5V SUPPLY
3	K101 18WT	THROTTLE POSITION SENSOR OUTPUT
4	K4 20BK/LB	SENSOR GROUND
5	K151 18WT/RD	LOW IDLE POSITION SWITCH
6	-	-
7	K167 18BR	SENSOR RETURN
8	K255 18WT/DB	PEDAL POSITION SENSOR
9	-	-
10	K440 18VT/WT	5V SUPPLY

- EXCEPT RHD DIESEL
- RHD DIESEL

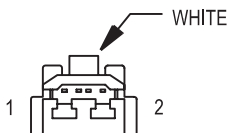


CAV	CIRCUIT	FUNCTION
1	-	-
2	-	-
3	-	-
4	Z2 18BK/OR	GROUND
5	R45 18DG/LB	DRIVER AIRBAG LINE 1
6	R43 18BK/LB	DRIVER AIRBAG LINE 2
7	R42 18BK/YL	PASSENGER AIRBAG LINE 2
8	R44 18DG/YL	PASSENGER AIRBAG LINE 1
9	-	-
10	-	-
11	-	-
12	-	-
13	-	-
14	F14 18LG/YL	FUSED IGNITION SWITCH OUTPUT (ST-RUN)
15	F23 18DB/YL	FUSED IGNITION SWITCH OUTPUT (RUN)
16	-	-
17	-	-
18	-	-
19	-	-
20	-	-
21	D25 18YL/VT/OR	PCI BUS
22	-	-
23	-	-



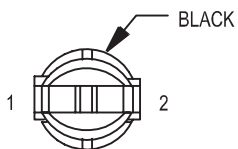
AMBIENT TEMPERATURE SENSOR

CAV	CIRCUIT	FUNCTION
1	G39 20DB/OR	AMBIENT TEMPERATURE SENSOR RETURN
2	C8 20DG/RD	AMBIENT TEMPERATURE SENSOR SIGNAL



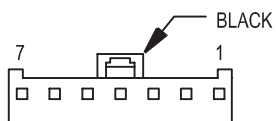
ANTENNA MODULE

CAV	CIRCUIT	FUNCTION
1	X64 18BK/WT	ENABLE SIGNAL TO AMPLIFIER
2	-	-



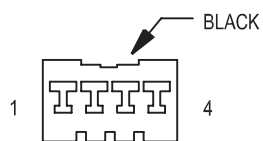
ASH RECEIVER LAMP

CAV	CIRCUIT	FUNCTION
1	Z1 20BK	GROUND
2	E2 20OR	PANEL LAMPS DRIVER



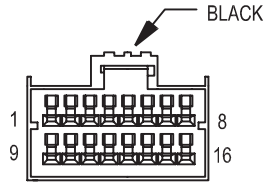
AUTOMATIC DAY/NIGHT MIRROR

CAV	CIRCUIT	FUNCTION
1	G5 20DB/WT	FUSED IGNITION SWITCH OUTPUT (ST-RUN)
2	Z1 20BK	GROUND
3	L1 20VT/BK	BACK-UP LAMP FEED
4	P112 20YL/WT	AUTO DAY NIGHT MIRROR (+)
5	P114 20YL/RD	AUTO DAY NIGHT MIRROR (-)
6	-	-
7	-	-



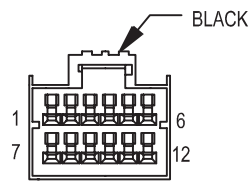
AUTOMATIC HEADLAMP LIGHT SENSOR/VTSS LED

CAV	CIRCUIT	FUNCTION
1	L109 20WT	ULTRALIGHT SENSOR SIGNAL
2	L110 20BK/YL	ULTRALIGHT SENSOR RETURN
3	G69 20BK/OR	VTSS INDICATOR DRIVER
4	M1 20PK	FUSED B(+)



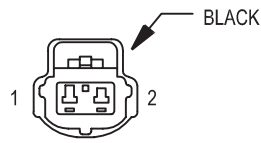
**AUTOMATIC
ZONE CONTROL
MODULE - C1**

CAV	CIRCUIT	FUNCTION
1	C102 20TN/BK	MODE DOOR DRIVER (B)
2	-	-
3	C32 20GY/DB	RECIRCULATION DOOR DRIVER (A)
4	C100 20YL/DB	RECIRCULATION DOOR DRIVER (B)
5	-	-
6	C15 20BK/WT	FUSED REAR WINDOW DEFOGGER RELAY OUTPUT
7	-	-
8	Z1 20BK	GROUND
9	C35 20DG/YL	MODE DOOR DRIVER (A)
10	C33 20DB/RD	DRIVER BLEND DOOR DRIVER (A)
11	-	-
12	-	-
13	-	-
14	C15 20BK/WT	REAR WINDOW DEFOGGER SWITCH SENSE
15	-	-
16	-	-



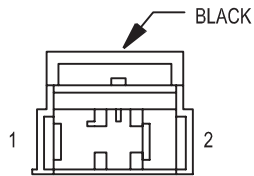
**AUTOMATIC
ZONE CONTROL
MODULE - C2**

CAV	CIRCUIT	FUNCTION
1	-	-
2	C94 20WT/DG	PASSENGER BLEND DOOR DRIVER (A)
3	C95 20WT/BK	DRIVER BLEND DOOR DRIVER (B)
4	C96 20WT/DB	PASSENGER BLEND DOOR DRIVER (B)
5	-	-
6	E2 20OR	PANEL LAMPS DRIVER
7	C56 20RD/LG	BLOWER MOTOR CONTROL
8	D25 20YL/VT/DG	PCI BUS
9	C103 20DG	A/C SWITCH SIGNAL
10	-	-
11	F22 20WT/PK	FUSED IGNITION SWITCH OUTPUT (RUN)
12	M1 20PK	FUSED B(+)



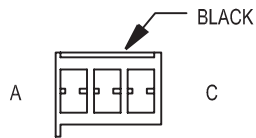
**BATTERY
TEMPERATURE
SENSOR**

CAV	CIRCUIT	FUNCTION
1	K4 20BK/LB	SENSOR GROUND
2	K25 18VT/LG	BATTERY TEMPERATURE SENSOR SIGNAL



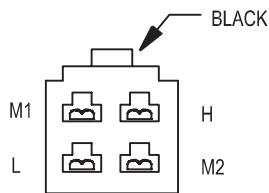
**BLOWER
MOTOR**

CAV	CIRCUIT	FUNCTION
1	C1 12RD	BLOWER MOTOR SUPPLY
2	C7 12BK	BLOWER MOTOR HIGH DRIVER



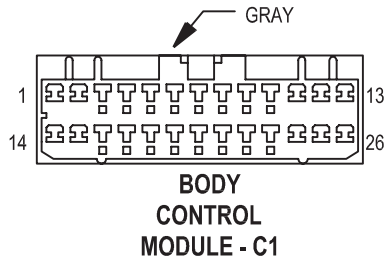
**BLOWER MOTOR
CONTROLLER
(AZC)**

CAV	CIRCUIT	FUNCTION
A	Z1 12BK	GROUND
B	C56 20BR/LG	BLOWER MOTOR CONTROL
C	C1 12RD	BLOWER MOTOR SUPPLY

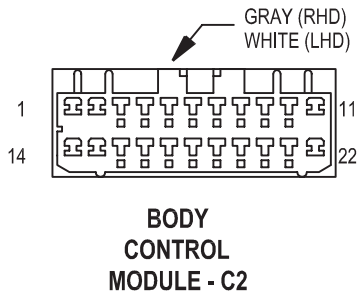


**BLOWER
MOTOR
RESISTOR
BLOCK
(MTC)**

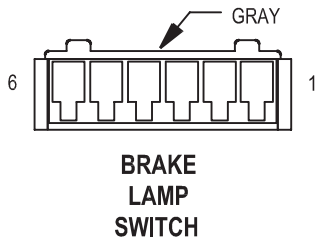
CAV	CIRCUIT	FUNCTION
L	C4 16TN	BLOWER MOTOR LOW DRIVER
M1	C5 16LG	BLOWER MOTOR M1 DRIVER
M2	C6 14LB	BLOWER MOTOR M2 DRIVER
H	C7 12BK/TN	BLOWER MOTOR HIGH DRIVER



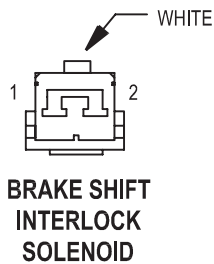
CAV	CIRCUIT	FUNCTION
1	Z2 20BK/OR	GROUND
2	G52 20YL	HEADLAMP SWITCH MUX
3	E19 20RD	PANEL LAMPS DIMMER SIGNAL
4	-	-
5	G70 20BR/TN	HOOD AJAR SWITCH SENSE
6	G26 20LB	KEY-IN IGNITION SWITCH SENSE
7	G76 18TN/YL	DOOR AJAR SWITCH SENSE
8	E2 20OR	PANEL LAMPS DRIVER
9	E2 20OR	PANEL LAMPS DRIVER
10	E2 20OR	PANEL LAMPS DRIVER
11	-	-
12	E2 20OR	PANEL LAMPS DRIVER
13	E2 20OR	PANEL LAMPS DRIVER
14	Z2 20BK/OR	GROUND
15	D25 20YL/VT/WT	PCI BUS
16	L80 20WT/DG	HEADLAMP SWITCH RETURN
17	D19 20VT/OR	BODY CONTROL MODULE FLASH ENABLE
18	-	-
19	-	-
20	G69 20BK/OR	VTSS INDICATOR DRIVER
21	L7 18BK/YL	PARK LAMP RELAY OUTPUT
22	V14 22RD/VT	WIPER ON/OFF RELAY CONTROL
23	M20 20BR/OR	COURTESY LAMP LOAD SHED
24	M2 20YL	COURTESY LAMP DRIVER
25	Z1 20BK	GROUND
26	-	-



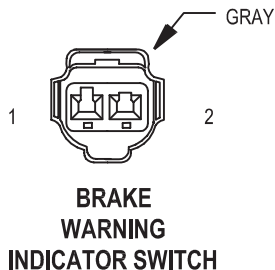
CAV	CIRCUIT	FUNCTION
1	C103 20DG	A/C SWITCH SIGNAL
2	V10 20BR	WASHER PUMP SWITCH SENSE
3	-	-
4	L40 22BR	HIGH BEAM SWITCH SENSE
5	V11 20BK/TN	WASHER FLUID SWITCH SENSE
6	P134 20LG/WT	PASSENGER SEAT HEATER SWITCH MUX
7	P133 20LG/RD	DRIVER SEAT HEATER SWITCH MUX
8	X20 20RD/YL	RADIO CONTROL MUX
9	C8 20DG/RD	AMBIENT TEMPERATURE SENSOR SIGNAL
10	L109 20WT	ULTRALIGHT SENSOR SIGNAL
11	V52 22DG/RD	WINDSHIELD WIPER SWITCH MUX
12	C15 20BK/WT	REAR WINDOW DEFOGGER SWITCH SENSE
13	-	-
14	-	-
15	L27 22WT/TN	FOG LAMP SWITCH SENSE
16	-	-
17	G18 20PK/BK	COOLANT LEVEL SWITCH SENSE
18	P132 20OR/BK	SEAT HEATER SWITCH SENSOR GROUND
19	X10 20RD/BK	RADIO CONTROL MUX RETURN
20	G39 20DB/OR	AMBIENT TEMPERATURE SENSOR RETURN
21	L110 20BK/YL	ULTRALIGHT SENSOR RETURN
22	V59 22DB/YL	WINDSHIELD WIPER SWITCH RETURN



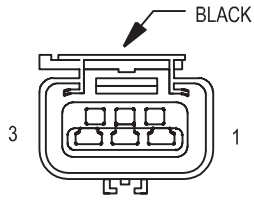
CAV	CIRCUIT	FUNCTION
1	K29 18WT/PK	BRAKE SWITCH SENSE
2	Z1 18BK	GROUND
3	V32 22OR/DG	SPEED CONTROL POWER SUPPLY
4	V30 22DB/RD	SPEED CONTROL BRAKE SWITCH OUTPUT
5	L50 20WT/TN	BRAKE LAMP SWITCH OUTPUT
6	F32 20PK/DB	FUSED B(+)



CAV	CIRCUIT	FUNCTION
1	K29 18WT/PK	BRAKE SWITCH SENSE
2	F99 20OR	FUSED IGNITION SWITCH OUTPUT (ST-RUN)

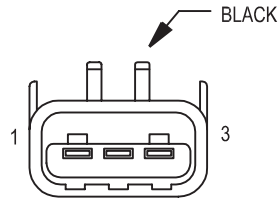


CAV	CIRCUIT	FUNCTION
1	Z1 18BK	GROUND
2	G9 18GY/BK	RED BRAKE WARNING INDICATOR DRIVER



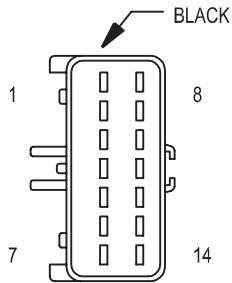
C100

CAV	CIRCUIT
1	T40 12LG
2	K21 18LB/RD
3	K20 18DG



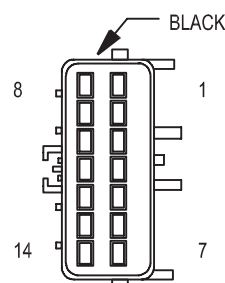
C100

CAV	CIRCUIT
1	T40 12LG
2	K21 18LB/RD
3	K20 18DG



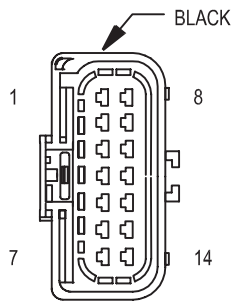
**C102
(GAS)**

CAV	CIRCUIT
1	A30 14RD/WT
2	F991 20OR/DB
3	C24 20DB/PK
4	F42 18DG/LG
5	A7 14RD/BK
6	L1 18VT/BK
7	Z21 20BK/LG
8	T24 20BR/YL
9	K210 18BK/YL
10	K4 20BK/LB
11	K21 18LB/RD
12	C2 18DB/YL
13	T107 20BK/RD ■ ●
14	A142 14DG/OR



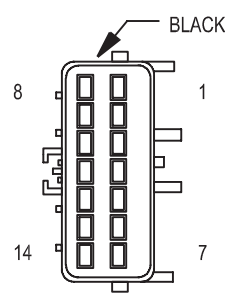
**C102
(GAS)**

CAV	CIRCUIT
1	A30 14RD/WT ▲
2	F991 18OR/DB
3	C24 18DB/PK
4	F42 18DG/LG
5	A7 14RD/BK
6	L1 18VT/BK
7	Z21 20BK/LG
8	T24 18BR/YL
9	Z1 18BK ▲
9	K210 18BK/YL ■
10	K4 18BK/LB
11	K210 18BK/YL ■
12	C2 18DB/YL
13	T107 18BK/RD ■ ●
14	A142 16DG/OR ■
14	A142 14DG/OR ▲



**C102
(DIESEL)**

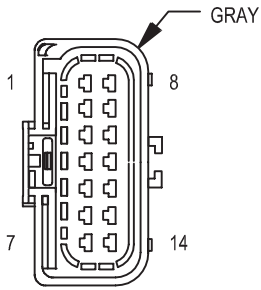
CAV	CIRCUIT
1	F42 18DG/LG
2	F99 20OR
3	C24 20DB/PK
4	A142 14DG/OR
5	A14 16RD/WT
6	L1 18VT/BK
7	K30 20PK/YL
8	T24 20BR/YL
9	K152 20WT
10	K4 20BK/LB
11	L50 18WT/TN
12	C2 18DB/YL
13	K35 18GY/YL
14	-



**C102
(DIESEL)**

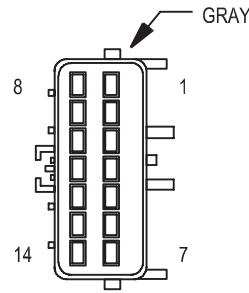
CAV	CIRCUIT
1	F42 18DG/LG
2	F99 18OR
3	C24 18DB/PK
4	A142 14DG/OR
5	A14 16RD/WT
6	L1 18VT/BK
7	K30 18PK/YL
8	T24 18BR/YL
9	K152 18WT
10	K4 18BK/LB
11	L50 18WT/TN
12	C2 18DB/YL
13	K35 18GY/YL
14	-

- ▲ 4.7L
- 4.0L
- EXCEPT BUILT-UP-EXPORT



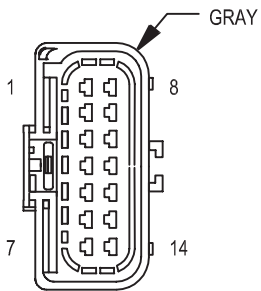
**C103
(GAS)**

CAV	CIRCUIT
1	F22 20WT/TN
2	T9 18OR/BK
3	D20 20LG
4	D21 20PK
5	G7 20WT/OR
6	K20 18DG
7	K30 20PK/YL
8	T99 18OR/YL
9	T16 14RD
10	D25 20YL/VT
11	Z2 20BK/OR
12	F45 20YL/RD
13	T60 18BR
14	F142 18OR/DG



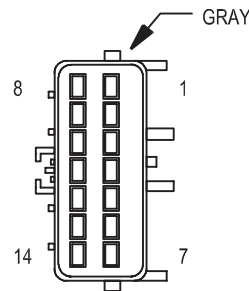
**C103
(GAS)**

CAV	CIRCUIT
1	F22 18WT/TN
2	T6 18VT/WT ▲
2	T9 18OR/BK ●
3	D20 20LG ▲
4	D21 20PK ▲
5	G7 18WT/OR
6	K20 18DG
7	K30 18PK/YL
8	T9 18OR/BK ●
8	T10 18YL/DG ▲
9	T16 14RD ▲
10	D25 18YL/VT ▲
11	Z2 20BK/OR
12	F45 18YL/RD ▲
13	T60 18BR ●
14	F142 18OR/DG



**C103
(DIESEL)**

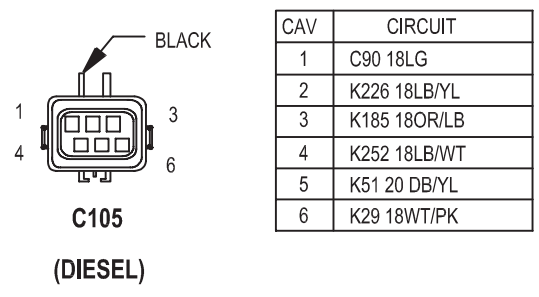
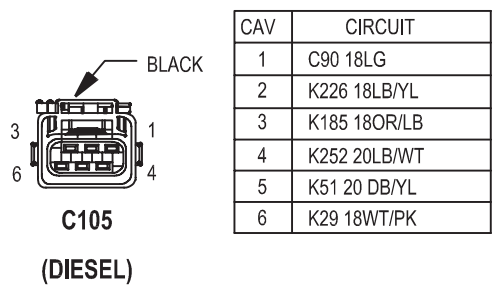
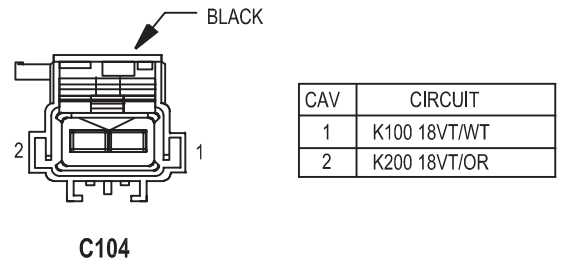
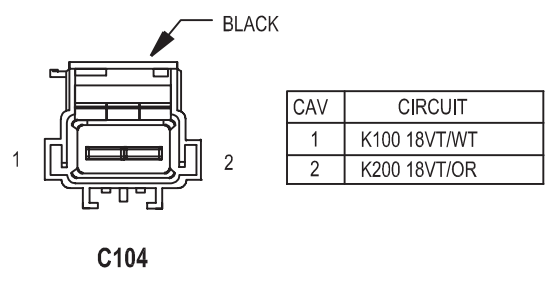
CAV	CIRCUIT
1	F22 20WT/TN
2	C13 18DB/OR
3	T40 12LG
4	D21 18PK
5	G7 18WT/OR
6	A93 14RD/BK
7	C18 20DB ■
7	C18 18DB ■■
8	G3 18BK/PK
9	T60 18BR
10	G55 18OR/LG
11	Z21 20BK/LG
12	Z2 20BK/OR
13	-
14	K125 18WT/DB

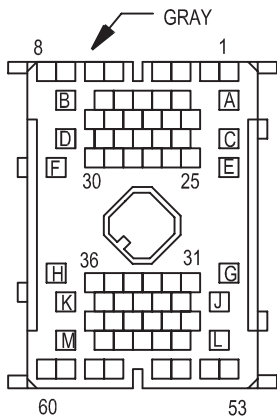


**C103
(DIESEL)**

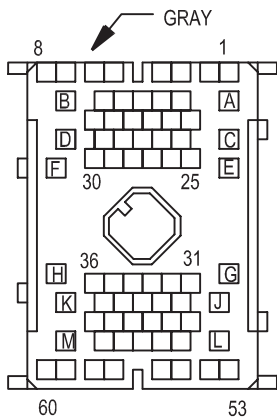
CAV	CIRCUIT
1	F22 18WT/TN
2	C13 18DB/OR
3	T40 12LG
4	D21 18PK
5	G7 18WT/OR
6	A93 16RD/BK
7	C18 18DB
8	G3 18BK/PK
9	T60 18BR
10	G55 18OR/BK
11	Z21 20BK/OR
12	Z2 20BK/OR
13	-
14	K125 18WT/DB

- RHD
- LHD
- ▲ 4.7L
- 4.0L



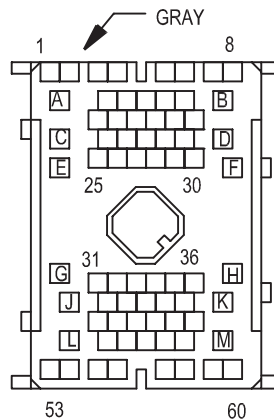


**C106
(LHD GAS)**

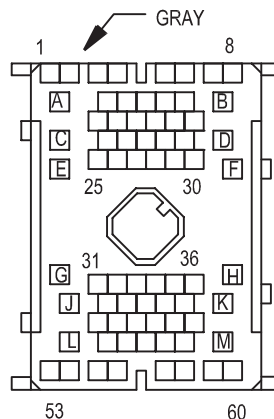


**C106
(RHD GAS)**

CAV	CIRCUIT
1	A141 16DG/BK
2	F42 18 DG/LG ▲
	G18 20PK/BK ●
3	V3 16BR/WT
4	V4 16RD/YL
5	V55 16TN/RD
6	V6 16DB
7	F22 20WT/PK ●
	F22 18WT/TN ▲
8	F99 20OR
9	K52 20PK/BK ●
10	Z1 18BK ▲
	K29 20WT/PK ●
11	K226 20LB/YL ●
	K251 18LB ▲
12	K107 20OR/YL ■■
	K106 20WT/DG ■■
	K151 18GY ▲
14	C13 20DB/OR ▲
15	V35 20LG/RD ▲
16	V36 20TN/RD ▲
17	G9 18GY/BK ▲
18	K25 18VT/LG ▲
19	K51 20DB/YL ▲
20	F142 18OR/DG ■■
21	K21 18LB/RD ▲
22	K31 20BR ▲
23	T99 18OR/YL ▲
24	-
25	B7 18WT
26	B6 18WT/DB
27	X4 22GY/OR
28	G39 20DB/OR
29	-
30	C8 20DG/RD
31	-
32	V32 22OR/DG ●
33	V30 22DB/RD
34	V16 22VT
35	V14 22RD/VT
36	G7 20WT/OR ▲
	G7 18WT/OR ●
37	F45 20YL/RD



**C106
(LHD GAS)**



**C106
(RHD GAS)**

CAV	CIRCUIT
1	A141 16DG/BK
2	F42 18DG/LG ▲
	G18 20PK/BK ●
3	V3 16BR/WT
4	V4 16RD/YL
5	V55 16TN/RD
6	V6 16DB
7	F22 20WT/TN
8	F99 20OR
9	K52 18PK/BK ●
10	Z1 18BK ▲
	K29 18WT/PK ●
11	K226 18LB/YL ●
12	K107 18OR/PK ■■
13	K106 18WT/DG ■■
14	C13 20DB/OR ▲
15	V35 18LG/RD ▲
16	V36 18TN/RD ▲
17	G9 18GY/BK ▲
18	K25 18VT/LG ▲
19	K51 20DB/YL ▲
20	K21 18LB/RD ■■
21	K21 18LB/RD ▲
22	K31 20BR ▲
23	T99 18OR/YL ▲
24	-
25	B7 18WT
26	B6 18WT/DB
27	X4 20GY/OR
28	G39 20DB/OR
29	-
30	C8 20DG/RD
31	-
32	V32 18OR/DG ●
33	V30 20DB/RD
34	V16 20VT
35	V14 20RD/VT
36	G7 20WT/OR
37	F45 20YL/RD

(CONTINUED ON NEXT PAGE)

- LHD
- ▲ RHD
- EXCEPT BUILT-UP-EXPORT

(CONTINUED)

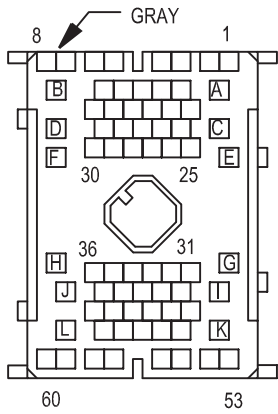
C106
(GAS)

38	L114 18VT/DB	■
39	T107 20BK/RD	■
40	Z21 20BK/LG	
41	Z2 20BK/OR	
42	-	
43	-	
44	F991 20OR/DB	
45	-	
46	-	
47	-	
48	D25 18YL/VT	
49	D21 20PK	
50	D20 20LG	
51	D32 20LG/DG	●
52	T9 20OR/BK	▲
	T9 18OR/BK	●
53	L7 20BK/YL	
54	L60 20TN	
55	V37 22RD/LG	●
	G18 20PK/BK	▲
56	L1 18VT/BK	
57	L39 20LB	
58	K4 18BK/LB	●
	K4 20BK/LB	▲
59	L44 18VT/RD	
60	L34 18RD/OR	
A	-	
B	-	
C	C1 12DG	
D	A149 12RD/TN	
E	A10 12RD/DG	●
	A10 10RD/DG	▲
F	A1 12RD	
G	A145 10WT/RD	
H	A146 10OR/WT	
J	A147 10RD/GY	
K	A148 10PK/WT	
L	A2 12PK/BK	
M	A20 14RD/DB	

C106
(GAS)

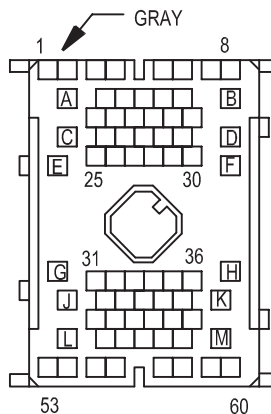
38	L114 18VT/DB	■
39	T107 20BK/RD	
40	Z21 20BK/LG	
41	Z2 20BK/OR	
42	-	
43	-	
44	F991 20OR/DB	
45	-	
46	-	
47	-	
48	D25 20YL/VT	
49	D21 20PK	
50	D20 20LG	
51	D32 18LG/DG	●
52	T9 18OR/BK	
53	L7 20BK/YL	
54	L60 20TN	
55	V37 18RD/LG	●
	G18 20PK/BK	▲
56	L1 18VT/BK	
57	L39 20LB	
58	K4 20BK/LB	
59	L44 18VT/RD	
60	L34 18RD/OR	
A	-	
B	-	
C	C1 12DG	
D	A149 12RD/TN	
E	A10 12RD/DG	
F	A1 12RD	
G	A145 10WT/RD	
H	A146 10OR/WT	
J	A147 10RD/GY	
K	A148 10PK/WT	
L	A2 12PK/BK	
M	A20 12RD/DB	

- LHD
- ▲ RHD
- BUILT-UP-EXPORT
- EXCEPT BUILT-UP-EXPORT



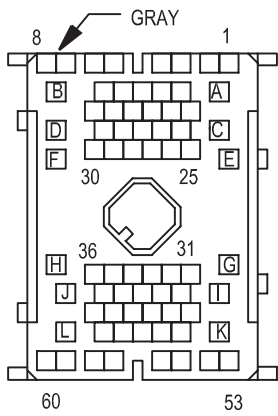
**C106
(RHD)
(DIESEL)**

CAV	CIRCUIT
1	F15 20DB/WT
2	-
3	C8 20DG/RD
4	G39 20DB/OR
5	G18 20PK/BK
6	-
7	-
8	-
9	C21 20DB/OR
10	Z1 18BK
11	-
12	-
13	-
14	-
15	K35 18GY/YL
16	-
17	G9 18GY/BK
18	X2 18DG/RD
19	-
20	-
21	-
22	-
23	-
24	-
25	B7 18WT
26	B6 18WT/DB
27	-
28	-
29	-
30	-
31	-
32	-
33	-
34	-
35	-
36	-
37	-

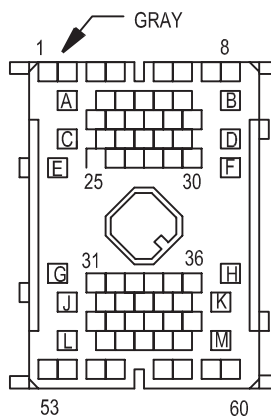


**C106
(RHD)
(DIESEL)**

CAV	CIRCUIT
1	F15 18DB/WT
2	-
3	C8 20DG/RD
4	G39 20DB/OR
5	G18 20PK/BK
6	-
7	-
8	-
9	C21 20DB/YL •
10	Z1 18BK •
11	-
12	-
13	-
14	-
15	K35 18GY/YL
16	-
17	G9 18GY/BK •
18	X2 18DG/RD
19	-
20	-
21	-
22	-
23	-
24	-
25	B7 18WT
26	B6 18WT/DB
27	-
28	-
29	-
30	-
31	-
32	-
33	-
34	-
35	-
36	-
37	-



**C106
(LHD)
(DIESEL)**



**C106
(LHD)
(DIESEL)**

(CONTINUED ON NEXT PAGE)

• RHD

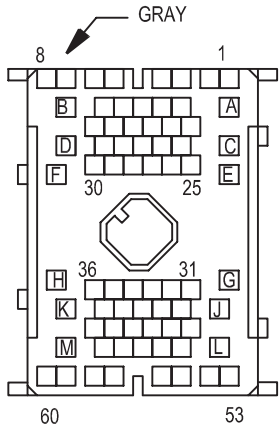
(CONTINUED)

**C106
(DIESEL)**

38	L114 18VT/DB
39	-
40	-
41	-
42	-
43	-
44	-
45	-
46	-
47	-
48	-
49	-
50	-
51	-
52	-
53	L7 20BK/YL
54	L60 20TN
55	-
56	-
57	L39 20LB
58	
59	L44 18VT/RD
60	L34 18RD/OR
A	-
B	-
C	-
D	-
E	-
F	-
G	-
H	-
J	-
K	-
L	-
M	-

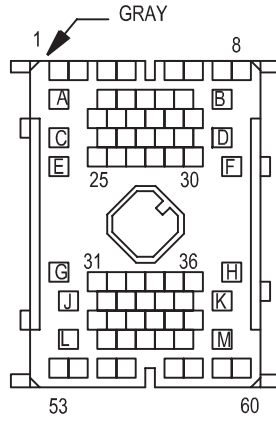
**C106
(DIESEL)**

38	L114 18VT/DB
39	-
40	-
41	-
42	-
43	-
44	-
45	-
46	-
47	-
48	-
49	-
50	-
51	-
52	-
53	L7 20BK/YL
54	L60 20TN
55	-
56	-
57	L39 20LB
58	
59	L44 18VT/RD
60	L34 18RD/OR
A	-
B	-
C	-
D	-
E	-
F	-
G	-
H	-
J	-
K	-
L	-
M	-



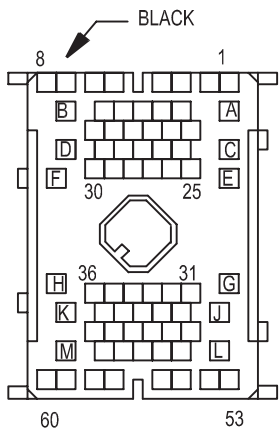
**C107
(RHD)
(GAS)**

CAV	CIRCUIT	
1	V37 20RD/LG	▲
2	V11 20BK/TN	
3	V3 16BR/WT	
4	V4 16RD/YL	
5	V55 16TN/RD	
6	V6 16DB	
7	V10 20BR	▲
	V10 22BR	▲▲
8	F99 20OR	
9	K226 20LB/YL	▲
	K52 20PK/BK	▲▲
10	L114 18VT/DB	●●
11	-	
	K251 18LB	▲
12	K107 20OR/YL	
13	K106 20WT/DG	■
	K151 18GY	▲
14	T99 18OR/YL	▲
15	G70 20BR/TN	●
16	G9 18GY/BK	▲
17	Z1 18BK	▲
18	-	
19	D32 20LG/DG	▲
20	Y10 18VT/WT	▲
	F142 18OR/DG	■
21	-	
22	-	
23	Y11 18VT/OR	▲
24	F42 18DG/LG	▲
25	B7 18WT	
26	B6 18WT/DB	
27	B4 18LG	
28	B3 18LG/DB	
29	B2 18YL	
30	B1 18YL/DB	
31	Y12 18VT/TN	▲
32	M1 20PK/RD	
33	F20 18DB/PK	
34	L50 18WT/TN	
35	Y13 18VT/PK	▲
36	G7 18WT/OR	
37	K51 20DB/YL	▲
38	K25 18VT/LG	▲
39	K31 20BR	▲
40	K29 18WT/PK	▲

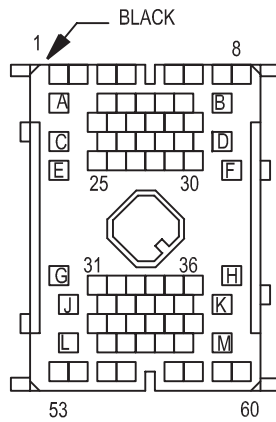


**C107
(RHD)
(GAS)**

CAV	CIRCUIT	
1	V37 18RD/LG	▲
2	V11 20BK/TN	
3	V3 16BR/WT	
4	V4 16RD/YL	
5	V55 16TN/RD	
6	V6 16DB	
7	V10 20BR	
8	F99 20OR	
9	K226 18LB/YL	▲
	K52 20PK/BK	▲▲
10	L114 18VT/DB	●●
11	-	
12	K107 20OR/PK	
13	K106 20WT/DG	■
14	T99 18OR/YL	▲
15	G70 20BR/TN	●
16	G9 18GY/BK	▲
17	Z1 18BK	▲
18	-	
19	D32 18LG/DG	▲
20	Y10 18VT/WT	▲
	F142 18OR/DG	■
21	-	
22	-	
23	Y11 18VT/OR	▲
24	F42 18LG/DG	▲
25	B7 18WT	
26	B6 18WT/DB	
27	B4 18LG	
28	B3 18LG/DB	
29	B2 18YL	
30	B1 18YL/DB	
31	Y12 18VT/TN	▲
32	M1 20PK/RD	
33	F20 18DB/PK	
34	L50 18WT/TN	
35	Y13 18VT/PK	▲
36	G7 18WT/OR	
37	K51 18DB/YL	▲
38	K25 18VT/LG	▲
39	K31 18BR	▲
40	K29 18WT/PK	▲



**C107
(LHD)
(GAS)**



**C107
(LHD)
(GAS)**

(CONTINUED ON NEXT PAGE)

- ▲ RHD
- ▲▲ LHD
- BUILT-UP-EXPORT
- LHD BUILT-UP-EXPORT
- EXCEPT BUILT-UP-EXPORT

(CONTINUED)

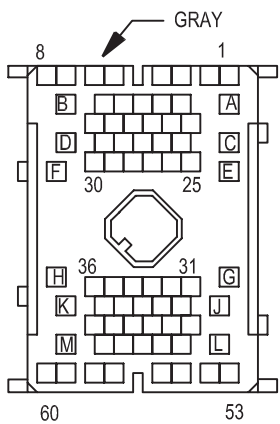
**C107
(GAS)**

41	K21 18LB/RD ▲
42	V32 22OR/DG ▲
43	-
44	V35 20LG/RD ▲
45	V36 20TN/RD ▲
46	C13 20DB/OR ▲
47	L114 18VT/DB ▲
48	D25 18YL/VT
49	D21 20PK ▲
50	B41 18YL/PK
51	B42 18TN/WT
52	B43 18PK/OR
53	L7 20BK/YL
54	L61 20TN/LG
55	-
56	V20 20BK/WT ▲
	V20 18BK/WT ▲▲
57	L39 20LB
58	-
59	L43 18VT
60	L33 18RD
A	-
B	-
C	-
D	-
E	A10 10RD/DG ▲
	A10 12RD/DG ▲▲
F	-
G	-
H	-
J	-
K	-
L	-
M	A20 14RD/DB

**C107
(GAS)**

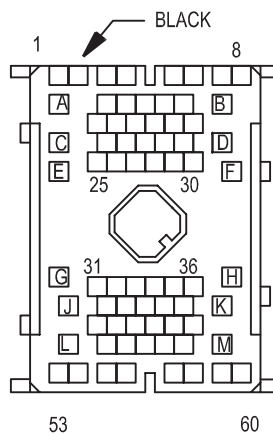
41	K21 18LB/RD ▲
42	V32 18OR/DG ▲
43	-
44	V35 18LG/RD ▲
45	V36 18TN/RD ▲
46	C13 18DB/OR ▲
47	L114 18VT/DB ▲
48	D25 18YL/VT
49	D21 18PK ▲
50	B41 18YL/PK
51	B42 18TN/WT
52	B43 18PK/OR
53	L7 20BK/YL
54	L61 20TN/LG
55	-
56	V20 18BK/WT
57	L39 20LB
58	-
59	L43 18VT
60	L33 18RD
A	-
B	-
C	-
D	-
E	A10 12RD/DG
F	-
G	-
H	-
J	-
K	-
L	-
M	A20 12RD/DB

▲▲ LHD
▲ RHD



**C107
(DIESEL)**

CAV	CIRCUIT
1	X2 18DG/RD
2	V11 20BK/TN
3	K4 20BK/LB
4	V37 22RD/LG
5	V55 16TN/RD
6	V6 16DB
7	V10 22BR ■■
7	V10 20BR ■
8	F99 20OR
9	-
10	X4 22GY/OR
11	F15 20DB/WT
12	F45 20YL/RD
13	-
14	T9 18OR/BK ■■
14	T9 20OR/BK ■
15	G70 20BR/TN
16	G9 18GY/BK
17	Z1 18BK
18	-
19	D32 20LG/DG
20	K35 18GY/YL
21	Y11 18VT/OR
22	-
23	-
24	Y10 18VT/WT ■
25	B7 18WT
26	B6 18WT/DB
27	B4 18LG
28	B3 18LG/DB
29	B2 18YL
30	B1 18YL/DB
31	C21 20DB/OR
32	M1 20PK/RD
33	F20 18DB/PK
34	L50 18WT/TN
35	Y12 18VT/TN ■
36	G7 20WT/OR
37	Z21 20BK/LG
38	Z2 20BK/OR
39	V10 22BR
40	K29 18WT/PK



**C107
(DIESEL)**

CAV	CIRCUIT
1	X2 18DG/RD
2	V11 20BK/TN
3	K4 20BK/LB
4	V37 18RD/LG
5	V55 16TN/RD
6	V6 16DB
7	V10 20BR
8	F99 20OR
9	-
10	X4 20GY/OR
11	F15 20DB/WT
12	F45 20YL/RD
13	-
14	T9 18OR/BK
15	G70 20BR/TN
16	G9 18GY/BK ■
17	Z1 18BK ■
18	-
19	D32 18LG/DG
20	K35 18GY/YL
21	Y11 18VT/OR ■
22	-
23	-
24	Y10 18VT/WT ■
25	B7 18WT
26	B6 18WT/DB
27	B4 18LG
28	B3 18LG/DB
29	B2 18YL
30	B1 18YL/DB
31	C21 20DB/YL ■
32	M1 20PK/RD
33	F20 18DB/PK
34	L50 18WT/TN
35	Y12 18VT/TN ■
36	G7 18WT/OR
37	Z21 20BK/LG
38	Z2 20BK/OR
39	-
40	K29 18WT/PK

(CONTINUED ON NEXT PAGE)

■■ LHD
■ RHD

**C107
(DIESEL)**

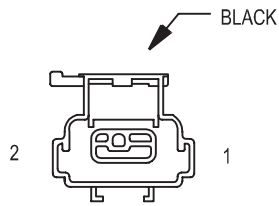
41	-
42	V32 22OR/DG
43	Y13 18VT/PK
44	V30 22DB/RD
45	V16 22VT
46	V14 22RD/VT
47	L114 18VT/DB
48	D25 18YL/VT
49	D21 20PK
50	B41 18YL/PK
51	B42 18TN/WT
52	B43 18PK/OR
53	L7 20BK/YL
54	L61 20TN/LG
55	L1 18VT/BK
56	V20 18BK/WT
57	L39 20LB
58	F22 20WT/PK •
58	F22 18WT/TN ••
59	L43 18VT
60	L33 18RD
A	-
B	-
C	C1 12DG
D	A149 12RD/TN
E	-
F	A1 12RD
G	A145 10WT/RD
H	A146 10OR/WT
J	A147 10RD/GY
K	A148 10PK/WT
L	A2 12PK/BK
M	-

(CONTINUED)

**C107
(DIESEL)**

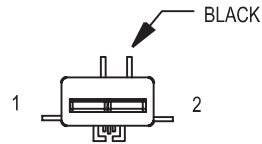
41	-
42	V32 18OR/DG
43	Y13 18VT/PK
44	V30 20DB/RD
45	V16 20VT
46	V14 20RD/VT
47	L114 18VT/DB
48	D25 18YL/VT
49	D21 18PK
50	B41 18YL/PK
51	B42 18TN/WT
52	B43 18PK/OR
53	L7 20BK/YL
54	L61 20TN/LG
55	L1 18VT/BK
56	V20 18BK/WT
57	L39 20LB
58	F22 20WT/TN
59	L43 18VT
60	L33 18RD
A	-
B	-
C	C1 12DG
D	A149 12RD/TN
E	-
F	A1 12RD
G	A145 10WT/RD
H	A146 10OR/WT
J	A147 10RD/GY
K	A148 10PK/WT
L	A2 12PK/BK
M	-

• LHD
•• RHD



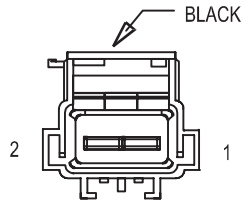
CAV	CIRCUIT
1	M1 20PK/RD
2	Z1 20BK

C108



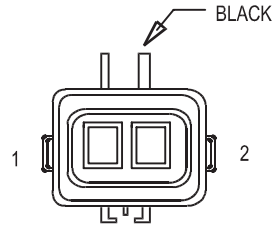
CAV	CIRCUIT
1	M1 20PK/RD
2	Z1 20BK

C108



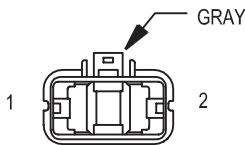
CAV	CIRCUIT
1	Z1 18BK
2	T107 18BK/RD

C109



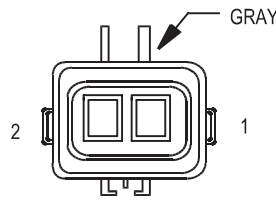
CAV	CIRCUIT
1	Z1 18BK
2	T107 18BK

C109



CAV	CIRCUIT
1	K154 10GY
2	K254 10GY/YL

**C110
(DIESEL)**



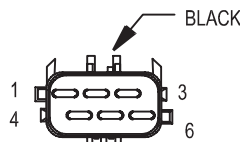
CAV	CIRCUIT
1	K154 10BK
2	K254 10GY/BK

**C110
(DIESEL)**



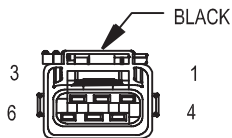
CAV	CIRCUIT
1	L33 18RD
2	L43 18VT
3	L61 20TN/LG
4	L7 20BK/YL
5	L114 18VT/DB ■
6	Z1 18BK

C111



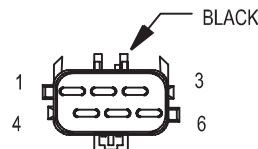
CAV	CIRCUIT
1	L33 18RD
2	L43 18VT
3	L61 20TN/LG
4	L7 20BK/YL
5	L114 18VT/DB ■
6	Z1 18BK

C111



CAV	CIRCUIT
1	L34 18RD/OR
2	L44 18VT/RD
3	L60 20TN
4	L7 20BK/YL
5	L114 18VT/DB ■
6	Z1 18BK

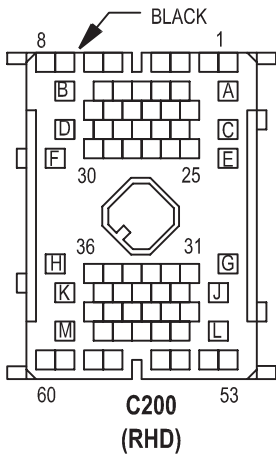
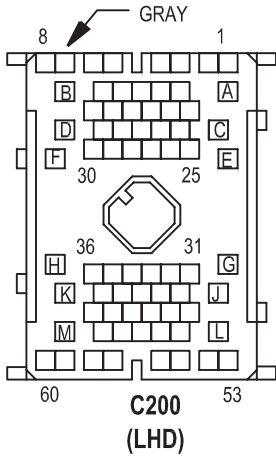
C112



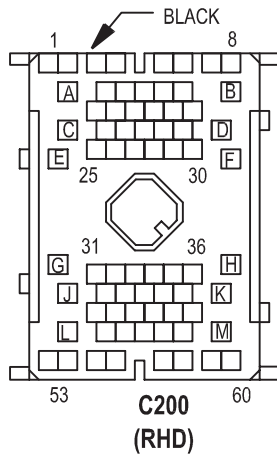
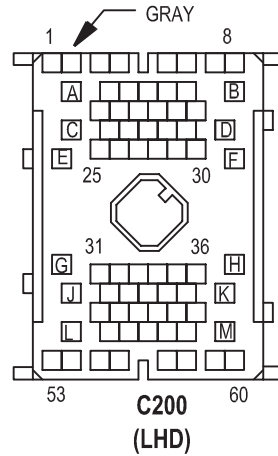
CAV	CIRCUIT
1	L34 18RD/OR
2	L44 18VT/RD
3	L60 20TN
4	L7 20BK/YL
5	L114 18VT/DB ■
6	Z1 18BK

C112

■ BUILT-UP-EXPORT



CAV	CIRCUIT
1	X84 18OR/GY ▼▼
1	X56 18DB/PK ▼
2	X86 18OR/RD ▼▼
2	X54 18VT ▼
3	X81 18YL/BK ▼▼
3	X55 18BR/RD ▼
4	X83 18YL/RD ▼▼
4	X53 18DG/OR ▼
5	X53 18DG/OR
6	X55 18BR/RD
7	X54 18VT
8	X56 18DB/PK
9	-
10	D20 20LG ■■
11	-
12	-
13	X40 20WT/RD ▼▼
14	D25 20YL/VT
15	D25 20YL/VT
16	D32 20LG/DG
17	T107 20BK/RD *
18	Z4 20WT/BK ▼▼
19	X41 20WT/DG ▼▼
20	T9 18OR/BK ●●
20	T9 20OR/BK ▲
21	D21 20PK
22	K29 18WT/PK
23	X160 20YL ▼▼
24	X112 20RD ▼▼
25	G10 20LG/RD ●●
26	-
27	G70 20BR/TN ■
28	-
29	Z17 20BK ▼▼
30	-
31	G76 18TN/YL ●●
31	G76 20TN/YL ▲
32	Y10 18VT/WT ▲
33	Y11 18VT/OR ▲
34	Y12 18VT/TN ▲
35	X51 18WT/DG
36	X57 18DG/WT
37	L7 18BK/YL ■
38	L114 18VT/DB ■
39	V10 22BR ●●
39	V10 20BR ▲



CAV	CIRCUIT
1	X84 18OR/GY ▼▼
2	X86 18OR/RD ▼▼
3	X81 18YL/BK ▼▼
4	X83 18YL/RD ▼▼
5	X53 18DG/OR
6	X55 18BR/RD
7	X54 18VT
8	X56 18DB/RD ▲
8	X56 18DB/PK ●●
9	-
10	D20 20LG
11	-
12	-
13	X40 22WT/RD
14	D25 20YL/VT/GY ■
14	D25 20YL/VT/BR ▲▲
15	D25 20YL/T/BR ■
15	D25 20YL/T/GY ▲▲
16	D32 20LG/DG
17	T107 20BK/RD
18	Z4 22WT/BK
19	X41 22WT/DG
20	T9 18OR/BK
21	D21 20PK
22	K29 18WT/PK
23	X160 22YL
24	X112 22RD
25	G10 20LG/RD ▲▲
26	-
27	G70 20BR/TN ■
28	-
29	Z17 22BK
30	-
31	G76 18TN/YL
32	Y10 20VT/WT ▲
33	Y11 20VT/OR ▲
34	Y12 20VT/TN ▲
35	X51 18BR/YL ▲
35	X51 18WT/DG ●●
36	X57 18BR/LB ▲
36	X57 18DG/WT ●●
37	L7 18BK/YL ■
38	L114 20VT/YL ▲
38	L114 20VT/DB ●
39	V10 20BR

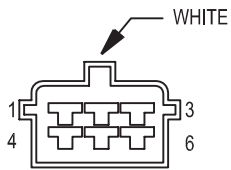
- * EXCEPT RHD DIESEL
- ▼▼ PREMIUM AUDIO
- ▲ RHD
- LHD BUILT-UP-EXPORT
- BUILT-UP-EXPORT
- LHD
- ▼ BASE
- GAS
- ▲▲ EXCEPT BUILT-UP-EXPORT

**C200
(CONTINUED)**

40	X52 18DB/WT
41	X58 18DB/OR
42	Y13 18VT/PK ▲
43	V13 18BR/LG
44	V14 22RD/VT
45	V16 22VT
46	V20 20BK/WT ▲
46	V20 18BK/WT ●●
47	V22 18BR/YL
48	-
49	X64 18BR/WT
50	Z2 20BK/OR
51	Z21 20BK/LG
52	-
53	G39 20DB/OR
54	C8 20DG/RD
55	Z1 16BK
56	V11 20BK/TN
57	G18 20PK/BK
58	V37 22RD/LG ●●
58	V37 20RD/LG ▲
59	K4 22BK/LB ■■
59	K4 20BK/LB ■
60	-
A	-
B	-
C	A1 12RD
D	-
E	-
F	-
G	A2 12PK/BK
H	C1 12DG
J	-
K	-
L	-
M	-

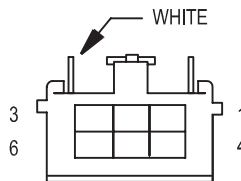
**C200
(CONTINUED)**

40	X52 18DB/WT
41	X58 18DB/OR
42	Y13 20VT/PK ▲
43	V13 18BR/LG
44	V14 22RD/VT
45	V16 22VT ●●
45	V16 22YL ▲
46	V20 18BK/WT
47	V22 18BR/YL
48	-
49	X64 18BR/WT
50	Z2 20BK/OR
51	Z21 20BK/LG
52	-
53	G39 20DB/OR
54	C8 20DG/RD
55	Z1 16BK
56	V11 20BK/TN
57	G18 20PK/BK
58	V37 20RD/LG
59	K4 20BK/LB
60	-
A	-
B	-
C	A1 12RD
D	-
E	-
F	-
G	A2 12PK/BK
H	C1 12DG
J	-
K	-
L	-
M	-



C201

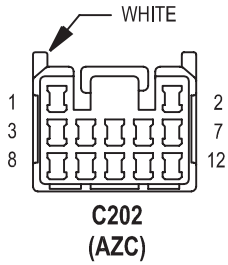
CAV	CIRCUIT
1	E2 20OR
2	Z1 20BK
3	T9 18OR/BK
4	Z1 18BK
5	-
6	-



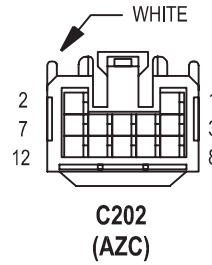
C201

CAV	CIRCUIT
1	E2 20LB
2	Z1 20BK
3	T9 18OR/WT
4	Z1 18BK
5	-
6	-

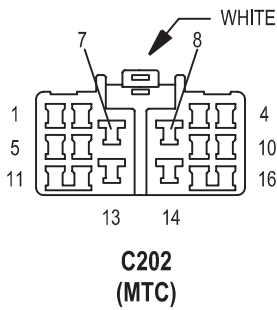
- ▲ RHD
- LHD
- DIESEL/ GAS RHD
- GAS LHD



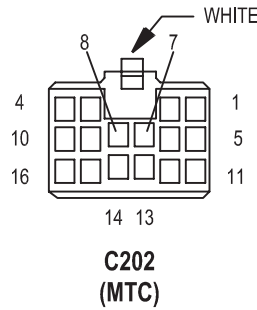
CAV	CIRCUIT
1	C32 20GY/DB
2	C100 20YL/DB
3	C33 20DB/RD
4	C95 20WT/BK
5	C94 20WT/DG
6	C96 20WT/DB
7	C102 20TN/BK
8	C35 20DG/YL
9	C56 20RD/LG
10	-
11	-
12	-



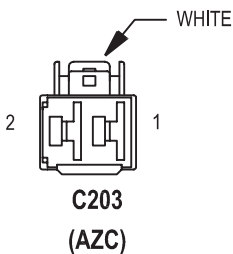
CAV	CIRCUIT
1	C32 20VT/OR
2	C100 20LB/DG
3	C33 20PK/DG
4	C95 20VT/WT
5	C94 20DB/RD
6	C96 20DB/WT
7	C102 20YL
8	C35 20TN/BK
9	C56 20BR/LG
10	-
11	-
12	-



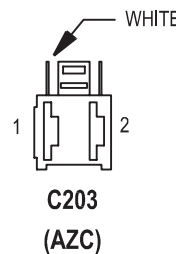
CAV	CIRCUIT
1	-
2	-
3	-
4	-
5	C67 20RD/LB
6	-
7	-
8	-
9	-
10	C6 14LB
11	Z2 20BK/OR
12	F22 20WT/PK
13	C7 12BK/TN
14	C1 12DG
15	C4 16TN
16	C5 16LG



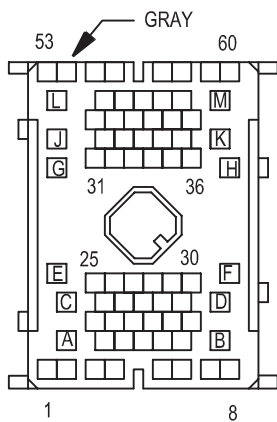
CAV	CIRCUIT
1	-
2	-
3	-
4	-
5	C67 20DB/RD
6	WT/YL
7	-
8	-
9	-
10	C6 14LB
11	Z2 20VT/WT
12	F22 20PK/DG
13	C7 12BK/TN
14	C1 12RD
15	C4 16TN
16	C5 16LG



CAV	CIRCUIT
1	C1 12DG
2	Z1 12BK

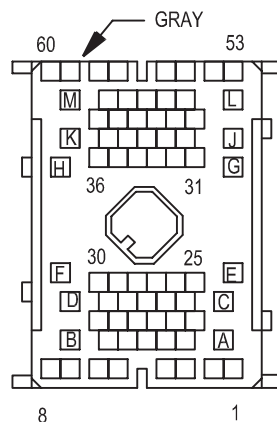


CAV	CIRCUIT
1	C1 12RD
2	Z1 12BK



**C300
(LHD)**

CAV	CIRCUIT
1	D25 20YL/VT
2	V13 18BR/LG
3	V22 18BR/YL
4	P112 20YL/WT
5	P114 20YL/RD
6	P35 18OR/VT
7	P36 18PK/VT
8	L50 18WT/TN
9	B1 18YL/DB
10	B2 18YL
11	B3 18LG/DB
12	B4 18LG
13	B41 18YL/PK
14	B42 18TN/WT
15	B43 18PK/OR
16	P29 20BR/WT ■
17	P86 20PK/BK ■
18	E21 20OR/RD
19	K4 20BK/LB
20	K226 20LB/YL
21	L62 18BR/RD
22	L95 18DG/YL ●●
23	G10 20LG/RD ▲▲
24	L1 18VT/BK
25	-
26	-
27	-
28	-
29	-
30	-
31	-
32	-
33	-
34	-
35	-
36	-
37	-
38	-
39	-
40	-
41	-
42	-
43	-
44	-
45	-
46	-
47	-
48	-
49	-
50	-
51	-
52	-
53	X57 18DG/WT ■■
53	X91 18WT/DG ▼



**C300
(LHD)**

CAV	CIRCUIT
1	D25 20YL/VT
2	V13 18BR/LG
3	V22 18BR/YL
4	P112 20YL/WT
5	P114 20YL/RD
6	P35 18OR/VT
7	P36 18PK/VT
8	L50 18WT/TN
9	B1 18YL/DB
10	B2 18YL
11	B3 18LG/DB
12	B4 18LG
13	B41 18YL/PK
14	B42 18TN/WT
15	B43 18PK/OR
16	P29 20BR/WT ■
17	P86 18PK/BK ■
18	E21 20OR/RD
19	K4 20BK/LB ▲
20	K226 20LB/YL ▲
21	L62 18BR/RD
22	L95 18DG/YL ●●
23	G10 20LG/RD ▲▲
24	L1 18VT/BK
25	-
26	-
27	-
28	-
29	-
30	-
31	-
32	-
33	-
34	-
35	-
36	-
37	-
38	-
39	-
40	-
41	-
42	-
43	-
44	-
45	-
46	-
47	-
48	-
49	-
50	-
51	-
52	-
53	X57 18WT/DG

- ▲▲ EXCEPT BUILT-UP-EXPORT
- ▲ GAS
- HEATED SEATS
- BUILT-UP-EXPORT
- BASE
- ▼ EXCEPT BASE

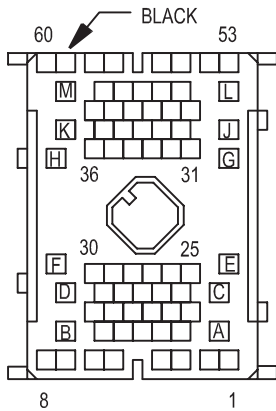
C300
(CONTINUED)

54	X51 18WT/DG ■■
54	X93 18DG/WT ▼
55	-
56	-
57	-
58	-
59	-
60	-
A	P130 16DG/WT ■
B	Q13 16DB
C	B40 12LB
D	-
E	Z5 16BK/VT ■
F	-
G	-
H	-
J	-
K	-
L	Q23 16RD/WT
M	A141 16DG/BK ●

C300
(CONTINUED)

54	X51 18DG/WT
55	-
56	-
57	-
58	-
59	-
60	-
A	P130 16DG/WT ■
B	Q13 16DB
C	B40 14LB
D	-
E	Z5 16BK/VT ■
F	-
G	-
H	-
J	-
K	-
L	Q23 16RD/WT
M	A141 16DG/BK ●

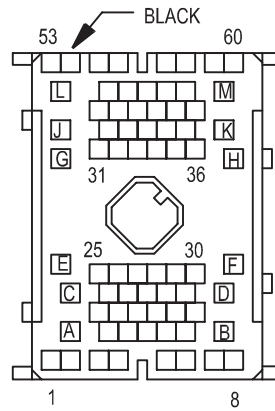
- GAS
- ▼ EXCEPT BASE
- HEATED SEATS
- BASE



C301 (RHD)

• PREMIUM RADIO

CAV	CIRCUIT
1	L50 18WT/TN
2	F70 18PK
3	M2 18YL
4	M20 18YL/BK
5	P35 18OR/VT
6	P36 18PK/VT
7	-
8	-
9	L95 18DG/YL
10	L63 18DG/RD
11	G80 20VT/YL
12	X80 18LB/BK
13	X82 18LB/RD
14	X85 18LG/DG
15	X87 18LG/RD
16	X93 18DG/WT
17	X91 18WT/DG
18	X84 18OR/GY
19	L62 20BR/RD
20	X86 18OR/RD
21	X81 18YL/BK
22	X83 18YL/RD
23	X56 18DB/PK
24	X51 18WT/DG
25	X57 18DG/WT
26	X52 18DB/WT
27	X58 18DB/OR
28	X54 18VT
29	X55 18BR/RD
30	X53 18DG/OR
31	X64 18BR/WT
32	D25 20YL/VT
33	-
34	G78 20TN/BK
35	-
36	-
37	E21 20OR/RD
38	G77 20TN/OR
39	G76 20TN/YL
40	L1 18VT/BK
41	G5 20DB/WT
42	P86 20PK/BK
43	P29 20BR/WT
44	G73 20LG/OR
45	C235 20WT/LB •
46	X160 20YL •
47	X40 20WT/RD •
48	-
49	X112 20RD •
50	X41 20WT/DG •
51	Z4 20WT/BK •
52	Z17 20BK •
53	-



C301 (RHD)

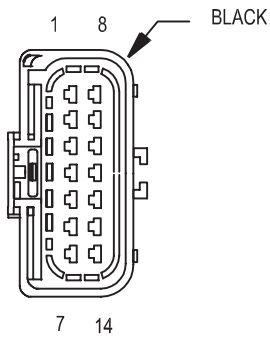
CAV	CIRCUIT
1	L50 18WT/TN
2	F70 18PK
3	M2 18YL
4	M20 18YL/BK
5	P35 18OR/VT
6	P36 18PK/VT
7	-
8	-
9	L95 18DG/YL
10	L63 18DG/RD
11	G80 20VT/YL
12	X80 18LB/BK
13	X82 18LB/RD
14	X85 18LG/DG
15	X87 18LG/RD
16	X93 18DG/WT
17	X91 18WT/DG
18	X84 18OR/GY
19	L62 18BR/RD
20	X86 18OR/RD
21	X81 18YL/BK
22	X83 18YL/RD
23	X56 18DB/PK
24	X51 18WT/DG
25	X57 18DG/WT
26	X52 18DB/WT
27	X58 18DB/OR
28	X54 18VT
29	X55 18BR/RD
30	X53 18DG/OR
31	X64 18BR/WT
32	D25 20YL/VT
33	-
34	G78 20TN/BK
35	-
36	-
37	E21 20OR/RD
38	G77 20TN/OR
39	G76 20TN/YL
40	L1 18VT/BK
41	G5 20DB/WT
42	P86 20PK/BK
43	P29 20BR/WT
44	G73 20LG/OR
45	C235 20WT/LB
46	X160 20YL
47	X40 20WT/RD
48	-
49	X112 20RD
50	X41 20WT/DG
51	Z4 20WT/BK
52	Z17 20BK
53	-

**C301
(RHD)
(CONTINUED)**

54	-
55	-
56	-
57	-
58	-
59	-
60	-
A	Q13 16DB
B	Q23 16RD/WT
C	F30 14RD
D	F60 16RD/WT
E	Z1 16BK
F	Z5 16BK/VT
G	C15 12BK/WT
H	A148 16VT
J	L50 16WT/TN
K	-
L	Q30 16TN
M	P130 16DG/WT

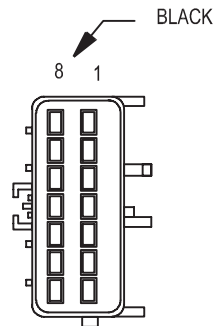
**C301
(RHD)
(CONTINUED)**

54	-
55	-
56	-
57	-
58	-
59	-
60	-
A	Q13 16DB
B	Q23 16RD/WT
C	F30 12RD
D	F60 16RD/WT
E	Z1 16BK
F	Z5 16BK/VT
G	C15 12BK/WT
H	A148 16VT
J	L50 16WT/TN
K	-
L	Q30 16TN
M	P130 16DG/WT



C302

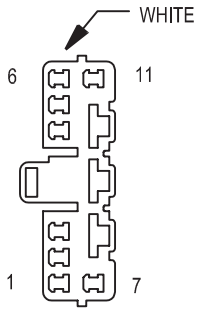
CAV	CIRCUIT
1	P112 20YL/WT
2	P114 20YL/RD
3	D25 20YL/VT
4	Z1 12BK
5	E21 20OR/RD
6	Q13 16DB
7	Q23 16RD/WT
8	F21 12TN ■
8	F21 12TN/LB ■■
9	X85 18LG/DG ▲▲
9	X55 18BR/RD ▲
9	X80 18LB/BK ●●
10	X87 18LG/RD ▲▲
10	X53 18DG/OR ▲
10	X82 18LB/RD ●●
11	M1 18PK/RD ●
12	-
13	-
14	-



C302

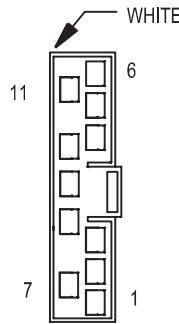
CAV	CIRCUIT
1	P112 20YL/WT
2	P114 20YL/RD
3	D25 20YL/VT
4	Z1 12BK
5	E21 20OR/RD
6	Q13 16DB
7	Q23 16RD/WT
8	F21 12TN/LB
9	X85 18LG/DG
10	X87 18LG/RD
11	M1 18PK ●
12	-
13	-
14	-

- JAPAN
- RHD
- LHD
- RHD PREMIUM
- ▲ BASE
- ▲▲ LHD PREMIUM



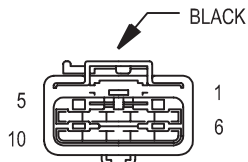
C303

CAV	CIRCUIT
1	X92 18TN/DG
2	X90 18WT/VT
3	E21 20OR/RD ▲
3	E20 20OR/DB ▲▲
4	P35 18OR/VT
5	P36 18PK/VT
6	-
7	-
8	Q14 16GY ▲▲
8	Q13 16DB ▲
9	Q24 16DG ▲▲
9	Q23 16RD/WT ▲
10	Z1 16BK
11	G76 20TN/YL ▲
	G76 18TN/YL ▲▲



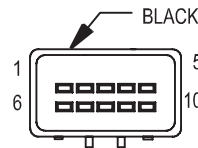
C303

CAV	CIRCUIT
1	X92 18TN/DG ■
1	X58 18DB/OR ●
2	X52 18DB/WT ●
2	X90 18WT/VT ■
3	E20 20OR/DB
4	P35 18OR/VT
5	P36 18PK/VT
6	-
7	-
8	Q14 16GY
9	Q24 16DG
10	Z1 16BK
11	G76 18TN/YL



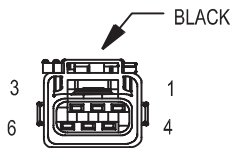
C304

CAV	CIRCUIT
1	P86 18PK/BK
2	P130 16DG/WT
3	D25 20YL/VT
4	F35 16RD
5	Z1 16BK
6	P29 20BR/WT
7	Z2 18BK/OR ▲
7	Z2 20BK/OR ▲▲
8	Z5 16BK/VT
9	G10 20LG/RD ◇
10	-



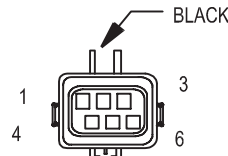
C304

CAV	CIRCUIT
1	P86 20DG/YL ■■
2	P130 16DG/WT ■■
3	D25 20VT/YL
4	F35 16RD
5	Z1 16BK
6	P29 20BR/WT ■■
7	Z2 20BK/OR ●●
8	Z5 16BK/VT ■■
9	G10 20LG/RD
10	-



C306

CAV	CIRCUIT
1	P130 16DG/WT
2	Z1 16BK
3	F37 16RD/LB
4	P86 20PK/BK
5	P29 20BR/WT
6	Z5 16BK/VT

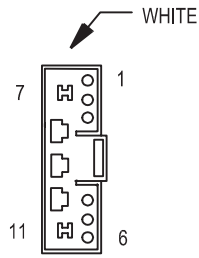


C306

CAV	CIRCUIT
1	P130 16DG/WT ■■
2	Z1 16BK
3	F37 16RD/LB
4	P86 20DG/YL ■■
5	P29 20BR/WT ■■
6	Z5 16BK/VT ■■

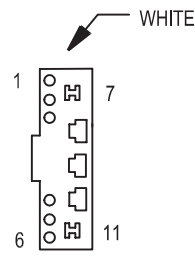
- ▲▲ LHD
- ▲ RHD
- PREMIUM AUDIO
- BASE AUDIO
- PREMIUM POWER SEATS

- HEATED SEATS
- ◇ BUILT-UP-EXPORT



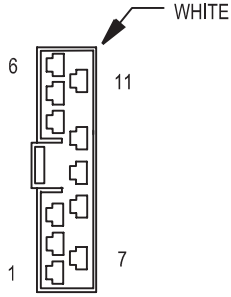
C307

CAV	CIRCUIT
1	X93 18WT/VT ▲
1	X91 18TN/DG ▼▼
2	X91 18TN/DG ▲
2	X93 18WT/VT ▼▼
3	E20 20OR/DB ▲
3	E21 20OR/RD ▼▼
4	P35 18OR/VT
5	P36 18PK/VT
6	-
7	-
8	Q13 16DB ▼▼
8	Q14 16GY ▲
9	Q23 16RD/WT ▼▼
9	Q24 16DG ▲
10	Z1 16BK
11	G77 20TN/OR



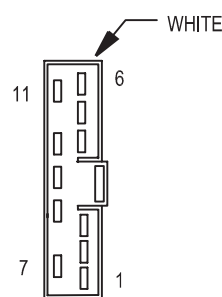
C307

CAV	CIRCUIT
1	X93 18DG/WT ▲
1	X57 18WT/DG ▼▼
2	X91 18WT/DG ▲
2	X51 18DG/WT ▼▼
3	E21 20OR/DB
4	P35 18OR/VT
5	P36 18PK/VT
6	-
7	-
8	Q13 16GY
9	Q23 16DG
10	Z1 16BK
11	G76 18TN/YL



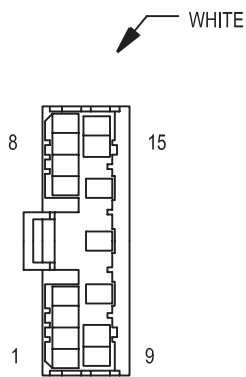
C308

CAV	CIRCUIT
1	G78 20TN/BK
2	P35 18PK/VT ▲
2	P35 18OR/VT ▼▼
3	P36 18OR/VT ▲
3	P36 18PK/VT ▼▼
4	V13 18BR/LG
5	V22 18BR/YL
6	F70 18PK
7	L50 18WT/TN
8	Z1 12BK
9	G80 20VT/YL
10	C15 12BK/WT
11	L7 18BK/YL



C308

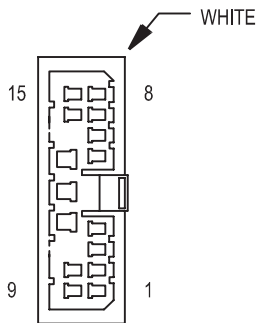
CAV	CIRCUIT
1	G78 20TN/BK
2	P35 18OR/VT
3	P36 18PK/VT
4	V13 18BR/LG
5	V22 18BR/YL
6	F70 18PK
7	L50 18WT/TN
8	Z1 12BK
9	G80 20VT/YL
10	C15 12BK/WT
11	L7 18BK/YL



C309

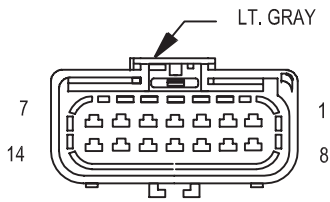
CAV	CIRCUIT
1	D25 20VT/YL
2	M20 20YL/BK
3	M2 20YL/DG
4	P112 20BK/WT
5	P114 20YL/RD
6	L1 20VT/BK
7	G5 20DB/WT
8	-
9	-
10	F70 20PK
11	Q30 16TN
12	Z1 20BK ▼
12	Z1 16BK ▲▲
13	-
14	Z2 20BK/OR
15	G73 20LG/OR

- ▲▲ SUNROOF
- ▼ EXCEPT SUNROOF
- PREMIUM POWER SEATS
- EXCEPT PREMIUM POWER SEATS
- ▲ RHD
- ▼▼ LHD



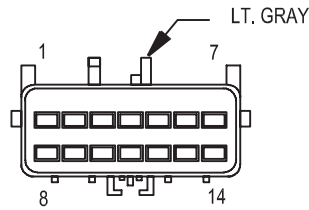
C309

CAV	CIRCUIT
1	D25 20YL/VT
2	M20 20YL/BK ▼▼
2	M20 18YL/BK ▲
3	M2 20YL/DG ▼▼
3	M2 18YL ▲
4	P112 20YL/WT
5	P114 20YL/RD
6	L1 20VT/BK
7	G5 20DB/WT
8	-
9	-
10	F70 20PK ▼▼
10	F70 18PK ▲
11	Q30 16TN
12	Z1 16BK
13	-
14	Z2 20BK/OR ▼▼●
14	Z2 18BK/OR ▲●●
15	G73 20LG/OR



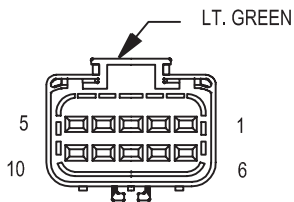
C310
(BUILT-UP-EXPORT)

CAV	CIRCUIT
1	L50 16WT/TN
2	L62 20BR/RD
3	L1 18VT/BK
4	F30 14RD
5	L7 18BK/YL
6	L95 18DG/YL
7	B40 14LB
8	Z1 14BK
9	L50 18WT/TN
10	L63 20DG/RD
11	Z1 14BK
12	-
13	-
14	-



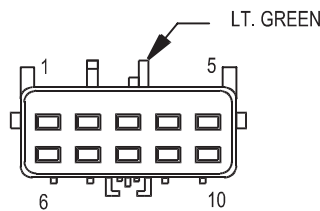
C310
(BUILT-UP-EXPORT)

CAV	CIRCUIT
1	L50 16WT/TN
2	L62 18BR/RD ■■
2	L62 20BR/RD ■
3	L1 18VT/BK
4	F30 14RD ■
4	F30 14RD/YL ■■
5	L7 18BK/YL
6	L95 18DG/YL
7	B40 14LB
8	Z1 14BK
9	L50 16WT/TN
10	L63 20DG/RD
11	Z1 14BK
12	-
13	-
14	-



C310
(EXCEPT BUILT-UP-EXPORT)

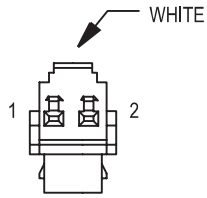
CAV	CIRCUIT
1	L50 16WT/TN
2	L62 20BR/RD
3	L1 18VT/BK
4	F30 14RD
5	L7 18BK/YL
6	Z1 14BK
7	B40 14LB
8	Z1 14BK
9	L50 18WT/TN
10	L63 20DG/RD



C310
(EXCEPT BUILT-UP-EXPORT)

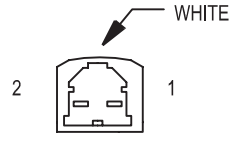
CAV	CIRCUIT
1	L50 16WT/TN
2	L62 18BR/RD
3	L1 18VT/BK
4	F30 14RD/YL
5	L7 18BK/YL
6	Z1 14BK
7	B40 14LB
8	Z1 14BK
9	L50 18WT/TN
10	L63 20DG/RD

■ RHD
■■ LHD



C311

CAV	CIRCUIT
1	L50 18WT/TN
2	Z1 18BK



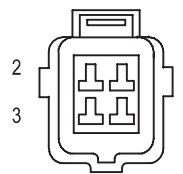
C311

CAV	CIRCUIT
1	L50 18WT/TN
2	Z1 18BK



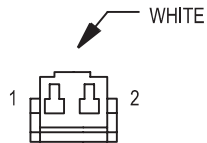
C312

CAV	CIRCUIT
1	Z1 18BK
2	L7 18BK/YL
3	F70 18PK
4	P101 18OR/PK



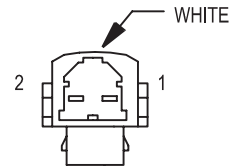
C312

CAV	CIRCUIT
1	Z1 18BK
2	L7 18BK/YL
3	F70 18PK
4	P101 18OR/PK



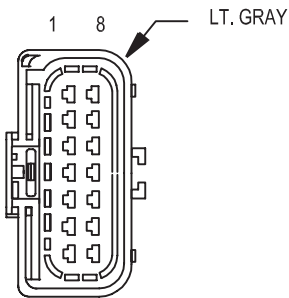
C313

CAV	CIRCUIT
1	P112 20YL/WT
2	P114 20YL/RD



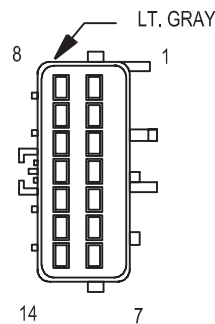
C313

CAV	CIRCUIT
1	P112 20YL/WT
2	P114 20YL/RD



C314

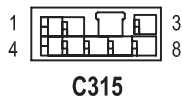
CAV	CIRCUIT
1	D25 20YL/VT
2	F21 12TN ■
2	F21 12TN/BK ■■
3	P35 18OR/VT
4	P36 18PK/VT
5	Z1 12BK
6	Q14 16GY
7	Q24 16DG
8	E20 20OR/DB
9	X80 18LB/BK ▲▲
9	X56 18DB/PK ▲
9	X85 18LG/DG ■
10	X82 18LB/RD ▲▲
10	X54 18VT ▲
10	X87 18LG/RD ■
11	-
12	-
13	-
14	-



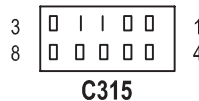
C314

CAV	CIRCUIT
1	D25 20YL/VT
2	F21 12TN/BK
3	P35 18OR/VT
4	P36 18PK/VT
5	Z1 12BK
6	Q14 16GY
7	Q24 16DG
8	E20 20OR/DB
9	X80 18LB/BK
10	X82 18LB/RD
11	-
12	-
13	-
14	-

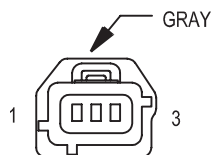
- ■ LHD
- RHD
- ▲ ▲ PREMIUM
- ▲ BASE



CAV	CIRCUIT
1	Q30 16TN
2	-
3	Q43 20VT
4	Q41 20WT
5	-
6	-
7	Z1 16BK
8	-

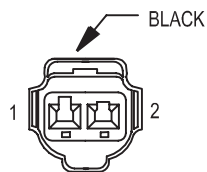


CAV	CIRCUIT
1	Q30 16TN
2	-
3	Q43 20VT
4	Q41 20WT
5	-
6	-
7	Z1 16BK
8	-



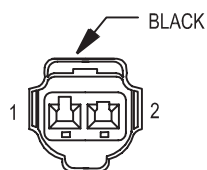
CAMSHAFT POSITION SENSOR

CAV	CIRCUIT	FUNCTION
1	K44 18TN/YL	CAMSHAFT POSITION SENSOR SIGNAL
2	K4 18BK/LB	SENSOR GROUND
3	K7 20OR	5V SUPPLY



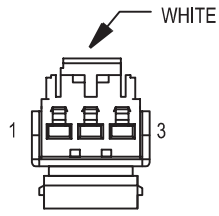
CAPACITOR NO. 1

CAV	CIRCUIT	FUNCTION
1	A142 14DG/OR	AUTOMATIC SHUT DOWN RELAY OUTPUT
2	-	-



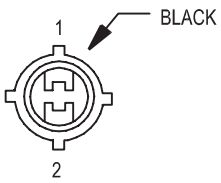
CAPACITOR NO. 2

CAV	CIRCUIT	FUNCTION
1	A142 14DG/OR	AUTOMATIC SHUT DOWN RELAY OUTPUT
2	-	-



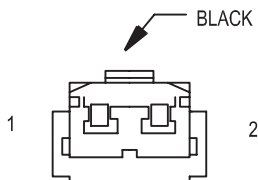
CARGO LAMP

CAV	CIRCUIT	FUNCTION
1	F70 20PK	FUSED B(+)
2	G73 20LG/OR	LIFTGATE COURTESY DISABLE
3	M2 20YL/DG	COURTESY LAMPS DRIVER



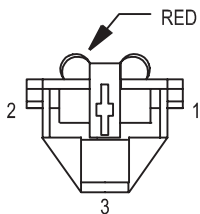
CENTER HIGH MOUNTED STOP LAMP

CAV	CIRCUIT	FUNCTION
1	L50 18WT/TN	BRAKE LAMP SWITCH OUTPUT
2	Z1 18BK	GROUND



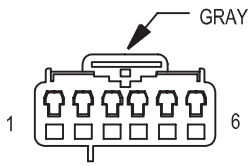
CHIME

CAV	CIRCUIT	FUNCTION
1	Z1 20BK	GROUND
2	G10 20LG/RD	TONE REQUEST SIGNAL



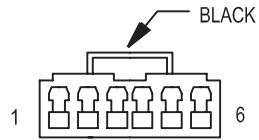
CIGAR LIGHTER

CAV	CIRCUIT	FUNCTION
1	F30 18RD	FUSED CIGAR LIGHTER RELAY OUTPUT
2	-	-
3	Z1 18BK	GROUND



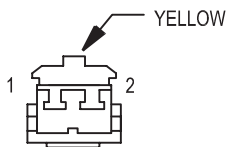
CLOCKSPRING - C1

CAV	CIRCUIT	FUNCTION
1	-	-
2	X4 22GY/OR ●●	HORN RELAY CONTROL
2	X4 20GY/OR ●	HORN RELAY CONTROL
3	X20 20RD/YL	RADIO CONTROL MUX
4	X10 20RD/BK	RADIO CONTROL MUX RETURN
5	K4 20BK/LB	SENSOR GROUND
6	V37 20RD/LG	SPEED CONTROL SWITCH SIGNAL



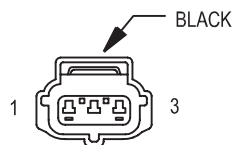
CLOCKSPRING - C2

CAV	CIRCUIT	FUNCTION
1	-	-
2	X4 20GY/OR	HORN RELAY CONTROL
3	X20 20RD/YL	RADIO CONTROL MUX
4	X10 20RD/BK	RADIO CONTROL MUX RETURN
5	K4 20BK/LB	SENSOR GROUND
6	V37 20RD/LG	SPEED CONTROL SWITCH SIGNAL



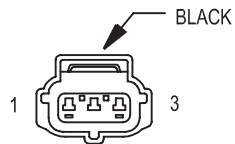
CLOCKSPRING - C3

CAV	CIRCUIT	FUNCTION
1	R45 18DG/LB	DRIVER AIRBAG LINE 1
2	R43 18BK/LB	DRIVER AIRBAG LINE 2



**COIL ON
PLUG NO. 1
(4.7L)**

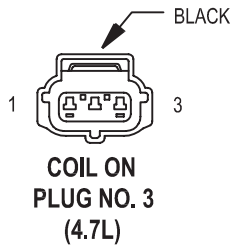
CAV	CIRCUIT	FUNCTION
1	K91 14TN/RD	COIL DRIVER NO. 1
2	A142 14DG/OR	AUTOMATIC SHUT DOWN RELAY OUTPUT
3	-	-



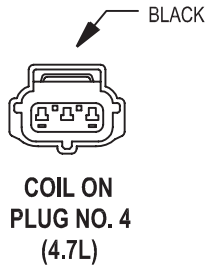
**COIL ON
PLUG NO. 2
(4.7L)**

CAV	CIRCUIT	FUNCTION
1	K92 14TN/PK	COIL DRIVER NO. 2
2	A142 14DG/OR	AUTOMATIC SHUT DOWN RELAY OUTPUT
3	-	-

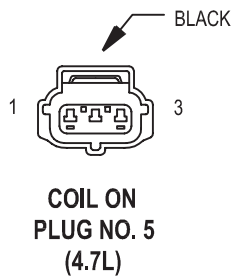
- RHD
- LHD



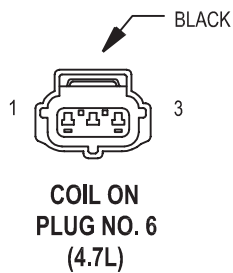
CAV	CIRCUIT	FUNCTION
1	K93 14TN/OR	COIL DRIVER NO. 3
2	A142 14DG/OR	AUTOMATIC SHUT DOWN RELAY OUTPUT
3	-	-



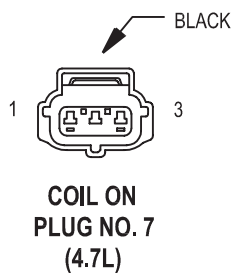
CAV	CIRCUIT	FUNCTION
1	K94 14TN/LG	COIL DRIVER NO. 4
2	A142 14DG/OR	AUTOMATIC SHUT DOWN RELAY OUTPUT
3	-	-



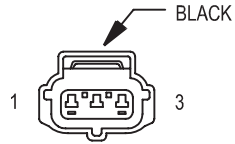
CAV	CIRCUIT	FUNCTION
1	K95 14TN/DG	COIL DRIVER NO. 5
2	A142 14DG/OR	AUTOMATIC SHUT DOWN RELAY OUTPUT
3	-	-



CAV	CIRCUIT	FUNCTION
1	K96 14TN/LB	COIL DRIVER NO. 6
2	A142 14DG/OR	AUTOMATIC SHUT DOWN RELAY OUTPUT
3	-	-

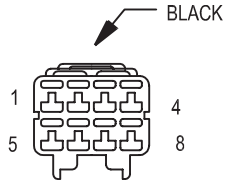


CAV	CIRCUIT	FUNCTION
1	K97 14BR	COIL DRIVER NO. 7
2	A142 14DG/OR	AUTOMATIC SHUT DOWN RELAY OUTPUT
3	-	-



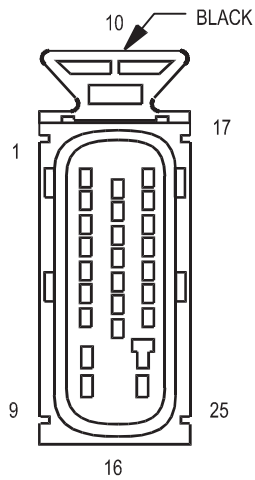
**COIL ON
PLUG NO. 8
(4.7L)**

CAV	CIRCUIT	FUNCTION
1	K98 14LB/RD	COIL DRIVER NO. 8
2	A142 14DG/OR	AUTOMATIC SHUT DOWN RELAY OUTPUT
3	-	-



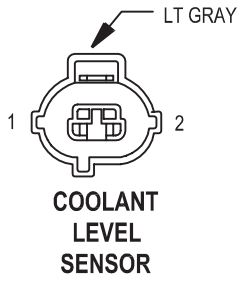
**COMPACT
DISC
CHANGER**

CAV	CIRCUIT	FUNCTION
1	X40 20WT/RD	AUDIO OUT RIGHT
2	C235 20WT/LB	SHIELD
3	D25 20YL/VT	PCI BUS
4	X112 20RD	IGNITION SWITCH OUTPUT
5	X41 20WT/DG	AUDIO OUT LEFT
6	Z4 20WT/BK	GROUND
7	Z17 20BK	GROUND
8	X160 20YL	B(+)

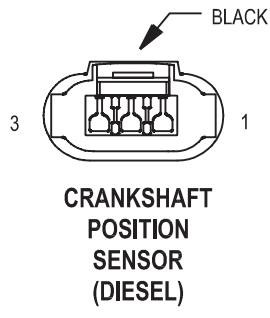


**CONTROLLER
ANTI-LOCK
BRAKE**

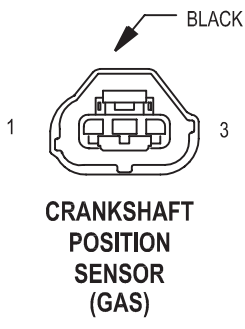
CAV	CIRCUIT	FUNCTION
1	B9 18RD	LEFT FRONT WHEEL SPEED SENSOR SIGNAL
2	B8 18RD/DB	LEFT FRONT WHEEL SPEED SENSOR 12V SUPPLY
3	G7 18WT/OR	VEHICLE SPEED SENSOR SIGNAL
4	F20 18DB/PK	FUSED IGNITION SWITCH OUTPUT (RUN)
5	B4 18LG	LEFT REAR WHEEL SPEED SENSOR SIGNAL
6	B3 18LG/DB	LEFT REAR WHEEL SPEED SENSOR 12V SUPPLY
7	-	-
8	Z3 12BK/OR	GROUND
9	A20 12RD/DB	FUSED B(+)
10	D25 18YL/VT	PCI BUS
11	-	-
12	Z1 18BK	GROUND
13	B43 18PK/OR	G SWITCH TEST SIGNAL
14	B41 18YL/PK	G SWITCH NO. 1 SENSE
15	-	-
16	-	-
17	B42 18TN/WT	G SWITCH NO. 2 SENSE
18	L50 18WT/TN	BRAKE LAMP SWITCH OUTPUT
19	B7 18WT	RIGHT FRONT WHEEL SPEED SENSOR SIGNAL
20	B6 18WT/DB	RIGHT FRONT WHEEL SPEED SENSOR 12V SUPPLY
21	G9 18GY/BK	RED BRAKE WARNING INDICATOR DRIVER
22	B1 18YL/DB	RIGHT REAR WHEEL SPEED SENSOR 12V SUPPLY
23	B2 18YL	RIGHT REAR WHEEL SPEED SENSOR SIGNAL
24	Z3 12BK/OR	GROUND
25	A10 12RD/DG	FUSED B(+)



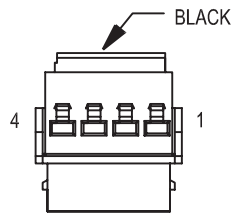
CAV	CIRCUIT	FUNCTION
1	G18 20PK/BK	COOLANT LEVEL SWITCH SENSE
2	Z1 20BK	GROUND



CAV	CIRCUIT	FUNCTION
1	Z3 18BK/OR	GROUND
2	-	-
3	K24 18GY/BK	CRANKSHAFT POSITION SENSOR SIGNAL

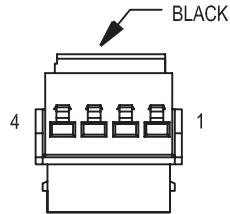


CAV	CIRCUIT	FUNCTION
1	K24 18GY/BK	CRANKSHAFT POSITION SENSOR SIGNAL
2	K4 18BK/LB	SENSOR GROUND
3	K7 20OR	5V SUPPLY



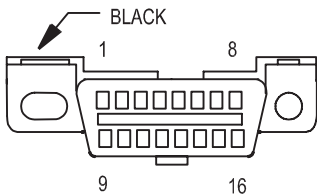
CRUISE SWITCH NO. 1

CAV	CIRCUIT	FUNCTION
1	-	-
2	K4 20BK/LB	SENSOR GROUND
3	V37 20RD/LG	SPEED CONTROL SWITCH SIGNAL
4	-	-



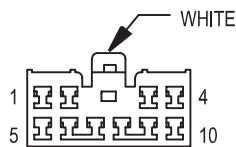
CRUISE SWITCH NO. 2

CAV	CIRCUIT	FUNCTION
1	-	-
2	K4 20BK/LB	SENSOR GROUND
3	V37 20RD/LG	SPEED CONTROL SWITCH SIGNAL
4	-	-



DATA LINK CONNECTOR

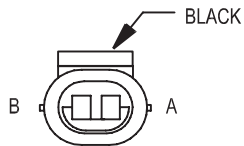
CAV	CIRCUIT	FUNCTION
1	-	-
2	D25 20YL/VT	PCI BUS
3	-	-
4	Z2 20BK/OR	GROUND
5	Z21 20BK/LG	GROUND
6	D32 20LG/DG	SCI RECEIVE
7	D21 20PK	SCI TRANSMIT
8	-	-
9	D19 20VT/OR	BODY CONTROL MODULE FLASH ENABLE
10	-	-
11	-	-
12	-	-
13	-	-
14	D20 20LG	SCI RECEIVE
15	-	-
16	F33 20PK/RD	FUSED B(+)



DIAGNOSTIC JUNCTION PORT

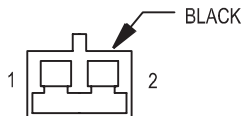
CAV	CIRCUIT	FUNCTION
1	D25 20YL/VT/BR ●	PCI BUS (PCM TCM PDM)
1	D25 20YL/VT/BR ●●	PCI BUS (PCM TCM PDM)
2	D25 20YL/VT/GY ●	PCI BUS (DDM)
2	D25 20YL/VT/GY ●●	PCI BUS (DDM)
3	D25 20YL/VT/DG ▲	PCI BUS (AZC)
4	D25 18YL/VT/DB	PCI BUS (RADIO)
5	D25 18YL/VT/OR	PCI BUS (ACM)
6	D25 20YL/VT/RD	PCI BUS (IC)
7	-	-
8	D25 20YL/VT/WT	PCI BUS (BCM)
9	D25 20YL/VT	PCI BUS (DLC)
10	-	-

- ▲ AZC
- EXCEPT BUILT-UP-EXPORT
- BUILT-UP-EXPORT



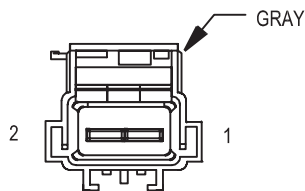
DRIVER BLEND DOOR MOTOR/ACTUATOR (AZC)

CAV	CIRCUIT	FUNCTION
A	C95 20VT/WT	DRIVER BLEND DOOR DRIVER (B)
B	C33 20PK/DG	DRIVER BLEND DOOR DRIVER (A)



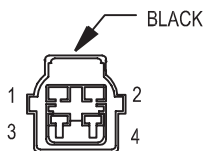
DRIVER DOOR COURTESY LAMP

CAV	CIRCUIT	FUNCTION
1	M21 20PK/DG	COURTESY LAMP DRIVER
2	L121 20BK/RD	COURTESY LAMP GROUND



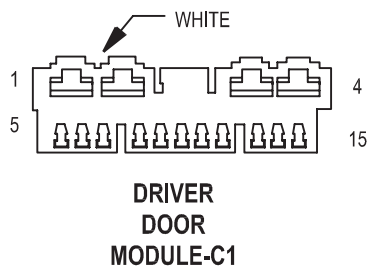
DRIVER DOOR CYLINDER LOCK SWITCH

CAV	CIRCUIT	FUNCTION
1	G73 20LG/OR	DRIVER DOOR KEY CYLINDER SWITCH SENSE
2	Z1 20BK	GROUND

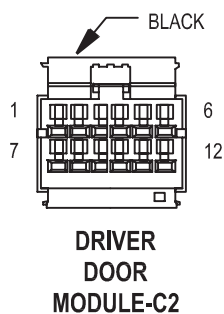


DRIVER DOOR LOCK MOTOR/AJAR SWITCH

CAV	CIRCUIT	FUNCTION
1	G75 18TN/RD	DRIVER DOOR AJAR SWITCH SENSE
2	Z1 18BK	GROUND
3	P34 18PK/BK	DRIVER DOOR UNLOCK DRIVER
4	P35 18OR/BK	DOOR LOCK DRIVER

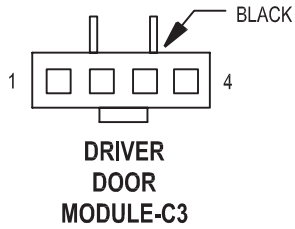


CAV	CIRCUIT	FUNCTION
1	F21 12TN/LB	FUSED B(+)
2	Q23 16RD/WT	DRIVER REAR WINDOW DRIVER (DOWN)
3	Q13 16DB	DRIVER REAR WINDOW DRIVER (UP)
4	Z1 12BK	GROUND
5	P35 18OR/BK	DOOR LOCK DRIVER
6	-	-
7	P34 18PK/BK	DRIVER DOOR UNLOCK DRIVER
8	D30 20VT/YL	DIAGNOSTIC OUT
9	D25 20YL/VT	PCI BUS
10	G73 20LG/OR	DRIVER DOOR KEY CYLINDER SWITCH SENSE
11	G75 18TN/RD	DRIVER DOOR AJAR SWITCH SENSE
12	E21 20OR/RD	DOOR SWITCH ILLUMINATION
13	Q11 16LB	DRIVER WINDOW DRIVER (UP)
14	-	-
15	Q21 16WT	DRIVER WINDOW DRIVER (DOWN)

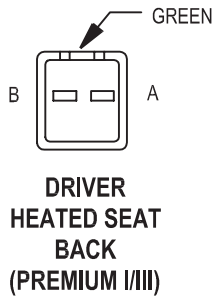


CAV	CIRCUIT	FUNCTION
1	P95 20OR	MIRROR HORIZONTAL DRIVER
2	C118 20BK/WT	MIRROR HEATER GROUND
3	P64 20VT	MIRROR VERTICAL POSITION SIGNAL
4	P69 20GY	MIRROR SENSOR GROUND
5	P65 20DG	MIRROR HORIZONTAL POSITION SIGNAL
6	C117 20BK	MIRROR HEATER 12V SUPPLY
7	P91 20WT	MIRROR COMMON DRIVER
8	P93 20RD	MIRROR VERTICAL DRIVER
9	M21 20PK/DG	COURTESY LAMP DRIVER
10	P110 20YL ●	POWER FOLDING MIRROR RETURN
11	P99 20DB ●	POWER FOLDING MIRROR FEED
12	L121 20BK/RD	COURTESY LAMP GROUND

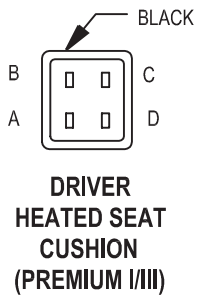
● BUILT-UP-EXPORT



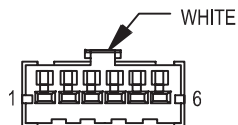
CAV	CIRCUIT	FUNCTION
1	BK	MEMORY SWITCH RETURN
2	BR	MEMORY SWITCH MUX
3	OR	MEMORY SET INDICATOR DRIVER
4	GY	SWITCH ILLUMINATION DRIVER



CAV	CIRCUIT	FUNCTION
A	P88 16BK/BR	HEATED SEAT DRIVER
B	Z6 16BK/YL	DRIVER SEAT HEATER GROUND

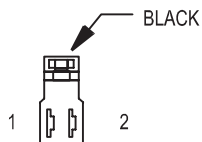


CAV	CIRCUIT	FUNCTION
A	P131 16BK/OR	DRIVER SEAT HEATER B(+) DRIVER
B	P88 16BK/BR	HEATED SEAT DRIVER
C	P135 20LB/BK	DRIVER SEAT TEMPERATURE SENSOR INPUT
D	P29 20BR/WT	SEAT SENSOR 5V SUPPLY



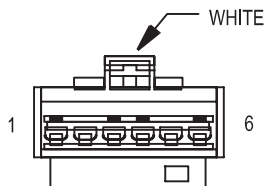
**DRIVER
HEATED SEAT
SWITCH**

CAV	CIRCUIT	FUNCTION
1	P133 20LG/RD	DRIVER SEAT HEATER SWITCH MUX
2	E2 20OR	PANEL LAMPS DRIVER
3	F22 20WT/PK	FUSED IGNITION SWITCH OUTPUT (RUN)
4	-	-
5	Z1 20BK	GROUND
6	P132 20OR/BK	SEAT HEATER SWITCH SENSOR GROUND



**DRIVER
LUMBAR
MOTOR
(MIDLINE/PREMIUM)**

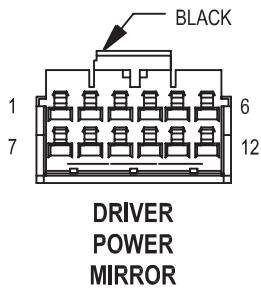
CAV	CIRCUIT	FUNCTION
1	P105 16LG/DB	LUMBAR FORWARD SWITCH SENSE
2	P104 16YL/RD	LUMBAR REARWARD SWITCH SENSE



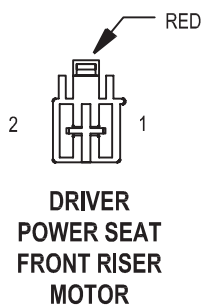
**DRIVER
LUMBAR
SWITCH
(MIDLINE/PREMIUM)**

CAV	CIRCUIT	FUNCTION
1	-	-
2	Z1 16BK	GROUND
3	P104 16YL/RD ●●	LUMBAR REARWARD SWITCH SENSE
3	P105 16LG/DB ●	LUMBAR FORWARD SWITCH SENSE
4	P105 16LG/DB ●●	LUMBAR FORWARD SWITCH SENSE
4	P104 16YL/RD ●	LUMBAR REARWARD SWITCH SENSE
5	Z1 16BK	GROUND
6	F35 16RD	FUSED B(+)

- RHD
- LHD

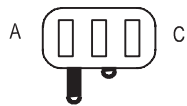


CAV	CIRCUIT	FUNCTION
1	C117 20BK	MIRROR HEATER 12V SUPPLY
2	P65 20DG	MIRROR HORIZONTAL POSITION SIGNAL
3	P69 20GY	MIRROR SENSOR GROUND
4	P64 20VT	MIRROR VERTICAL POSITION SIGNAL
5	C118 20BK/WT	MIRROR HEATER GROUND
6	P95 20OR	MIRROR HORIZONTAL DRIVER
7	P114 20YL/RD	AUTO DAY NIGHT MIRROR (-)
8	P99 20DB ▲	POWER FOLDING MIRROR FEED
9	P110 20YL ▲	POWER FOLDING MIRROR RETURN
10	P112 20YL/WT	AUTO DAY NIGHT MIRROR (+)
11	P93 20RD	MIRROR VERTICAL DRIVER
12	P91 20WT	MIRROR COMMON DRIVER



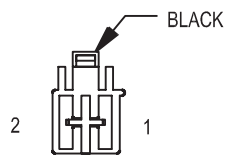
CAV	CIRCUIT	FUNCTION
1	P19 16YL/LG ●	DRIVER SEAT FRONT UP DRIVER
1	P119 16YL/RD ●●	SEAT FRONT UP DRIVER
2	P21 16RD/LG ●	DRIVER SEAT FRONT DOWN DRIVER
2	P121 16RD/GY ●●	SEAT FRONT DOWN DRIVER

- ▲ BUILT-UP-EXPORT
- EXCEPT PREMIUM II/III
- PREMIUM II/III



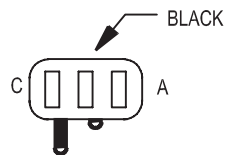
**DRIVER
POWER SEAT
FRONT RISER
MOTOR SENSOR
(PREMIUM II/III)**

CAV	CIRCUIT	FUNCTION
A	P28 20BR/RD	SEAT POSITION SENSOR GROUND
B	P26 20BR	FRONT RISER POSITION SIGNAL
C	P29 20BR/WT	SEAT SENSOR 5V SUPPLY



**DRIVER
POWER SEAT
HORIZONTAL
MOTOR**

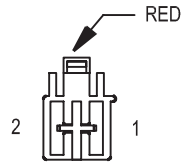
CAV	CIRCUIT	FUNCTION
1	P117 16RD/BR ●●	SEAT HORIZONTAL REARWARD DRIVER
1	P17 16RD/YL ●	DRIVER SEAT HORIZONTAL REARWARD DRIVER
2	P115 16GY/LG ●●	SEAT HORIZONTAL FORWARD DRIVER
2	P15 16YL/LB ●	DRIVER SEAT HORIZONTAL FORWARD DRIVER



**DRIVER
POWER SEAT
HORIZONTAL
MOTOR SENSOR
(PREMIUM II/III)**

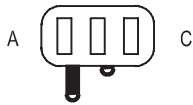
CAV	CIRCUIT	FUNCTION
A	P29 20BR/WT	SEAT SENSOR 5V SUPPLY
B	P25 20VT/RD	SEAT HORIZONTAL POSITION SIGNAL
C	P28 20BR/RD	SEAT POSITION SENSOR GROUND

- EXCEPT PREMIUM II/III
- PREMIUM II/III



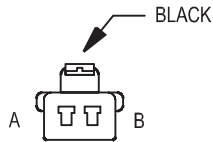
**DRIVER
POWER SEAT
REAR RISER
MOTOR**

CAV	CIRCUIT	FUNCTION
1	P111 16YL/DB ●	SEAT REAR UP DRIVER
1	P11 16YL/WT ●●	DRIVER SEAT REAR UP DRIVER
2	P113 16RD/BK ●	SEAT REAR DOWN DRIVER
2	P13 16RD/WT ●●	DRIVER SEAT REAR DOWN DRIVER



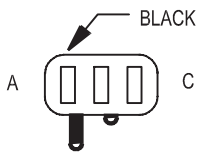
**DRIVER
POWER SEAT
REAR RISER
MOTOR SENSOR
(PREMIUM II/III)**

CAV	CIRCUIT	FUNCTION
A	P28 20BR/RD	SEAT POSITION SENSOR GROUND
B	P27 20LB/RD	REAR RISER POSITION SIGNAL
C	P29 20BR/WT	SEAT SENSOR 5V SUPPLY



**DRIVER
POWER SEAT
RECLINER MOTOR**

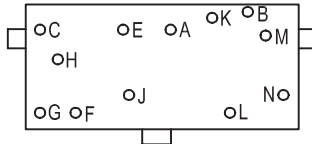
CAV	CIRCUIT	FUNCTION
A	P141 16GY/WT ●	SEAT RECLINER DOWN DRIVER
A	P41 16GY/WT ●●	RECLINER DOWN SWITCH SENSE
B	P143 16GY/LB ●	SEAT RECLINER UP DRIVER
B	P43 16GY/LB ●●	RECLINER UP SWITCH SENSE



**DRIVER POWER
SEAT RECLINER
MOTOR SENSOR
(PREMIUM II/III)**

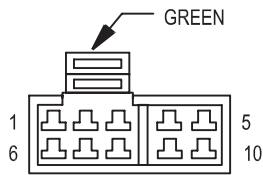
CAV	CIRCUIT	FUNCTION
A	P29 20BR/WT	SEAT SENSOR 5V SUPPLY
B	P47 20LB	RECLINER POSITION SIGNAL
C	P28 20BR/RD	SEAT POSITION SENSOR GROUND

- EXCEPT PREMIUM II/III
- PREMIUM II/III



**DRIVER
POWER SEAT
SWITCH
(BASE)**

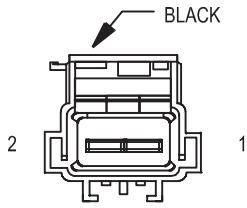
CAV	CIRCUIT	FUNCTION
A	F35 16RD	FUSED B(+)
B	Z1 16BK	GROUND
C	-	-
D	-	-
E	P19 16YL/LG ●	DRIVER SEAT FRONT UP DRIVER
E	P21 16RD/LG ●●	DRIVER SEAT FRONT DOWN DRIVER
F	-	-
G	-	-
H	-	-
I	-	-
J	P21 16RD/LG ●	DRIVER SEAT FRONT UP DRIVER
J	P19 16YL/LG ●●	DRIVER SEAT FRONT UP DRIVER
K	P15 16YL/LB	DRIVER SEAT HORIZONTAL FORWARD DRIVER
L	P17 16RD/YL	DRIVER SEAT HORIZONTAL REARWARD DRIVER
M	P11 16YL/WT ●	DRIVER SEAT REAR UP DRIVER
M	P13 16RD/WT ●●	DRIVER SEAT REAR DOWN DRIVER
N	P13 16RD/WT ●	DRIVER SEAT REAR DOWN DRIVER
N	P11 16YL/WT ●●	DRIVER SEAT REAR UP DRIVER



**DRIVER
POWER SEAT
SWITCH
(MIDLINE/
PREMIUM)**

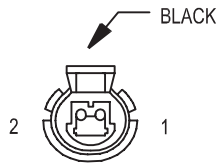
CAV	CIRCUIT	FUNCTION
1	Z1 16BK	GROUND
2	P43 16GY/LB ■	RECLINER UP SWITCH SENSE
2	P43 20GY/LB ▲	RECLINER UP SWITCH SENSE
3	P17 16RD/YL ■	DRIVER SEAT HORIZONTAL REARWARD DRIVER
3	P17 20RD/YL ▲	DRIVER SEAT HORIZONTAL REARWARD DRIVER
4	P41 16GY/WT ■	RECLINER DOWN SWITCH SENSE
4	P41 20GY/WT ▲	RECLINER DOWN SWITCH SENSE
5	F35 16RD	FUSED B(+)
5	P9 20RD/LB ▲	SEAT SWITCH B(+) SUPPLY
6	P15 20YL/LB ▲	DRIVER SEAT HORIZONTAL FORWARD DRIVER
6	P15 16YL/LB ■	DRIVER SEAT HORIZONTAL FORWARD DRIVER
7	P19 20YL/LG ▲	DRIVER SEAT FRONT UP DRIVER
7	P19 16YL/LG ■●●	DRIVER SEAT FRONT UP DRIVER
7	P21 20RD/LG ■●	DRIVER SEAT FRONT DOWN DRIVER
8	P11 20YL/WT ▲	DRIVER SEAT REAR UP DRIVER
8	P11 16YL/WT ■●●	DRIVER SEAT REAR UP DRIVER
8	P13 20RD/WT ■●	DRIVER SEAT REAR DOWN DRIVER
9	P13 20RD/WT ▲	DRIVER SEAT REAR DOWN DRIVER
9	P13 16RD/WT ■●●	DRIVER SEAT REAR DOWN DRIVER
9	P11 20YL/WT ■●	DRIVER SEAT REAR UP DRIVER
10	P21 20RD/LG ▲	DRIVER SEAT FRONT DOWN DRIVER
10	P21 16RD/LG ■●●	DRIVER SEAT FRONT DOWN DRIVER
10	P19 20YL/LG ■●	DRIVER SEAT FRONT UP DRIVER

- LHD
- RHD
- ▲ PREMIUM II/III
- MIDLINE/PREMIUM I



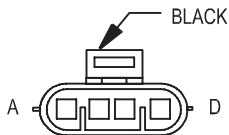
DRIVER POWER WINDOW MOTOR

CAV	CIRCUIT	FUNCTION
1	Q21 16WT	DRIVER WINDOW DRIVER (DOWN)
2	Q11 16LB	DRIVER WINDOW DRIVER (UP)



DUTY CYCLE EVAP/PURGE SOLENOID (GAS)

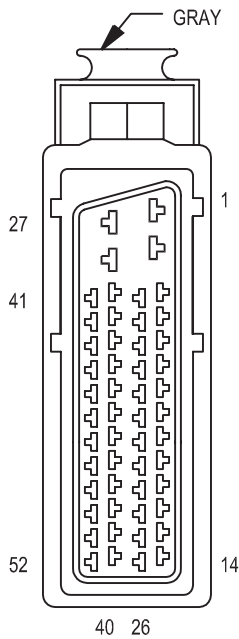
CAV	CIRCUIT	FUNCTION
1	F99 20OR	FUSED IGNITION SWITCH OUTPUT (ST-RUN)
2	K52 20PK/BK ▲▲	DUTY CYCLE EVAP/PURGE SOLENOID CONTROL
2	K52 18PK/BK ▲	DUTY CYCLE EVAP/PURGE SOLENOID CONTROL



EGR SOLENOID (DIESEL)

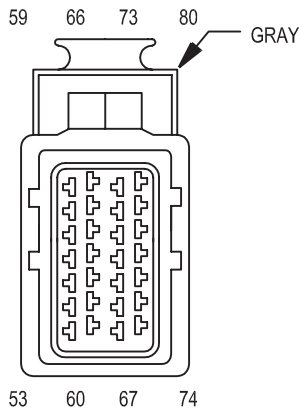
CAV	CIRCUIT	FUNCTION
A	F15 18DB/WT	FUSED AUTOMATIC SHUT DOWN RELAY OUTPUT
B	K35 18GY/YL	EGR SOLENOID CONTROL
C	-	-
D	Z1 18BK	GROUND

▲▲ LHD
▲ RHD



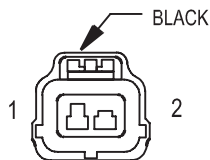
ENGINE CONTROL MODULE-C1 (DIESEL)

CAV	CIRCUIT	FUNCTION
1	Z12 14BK/TN	GROUND
2	A142 14DG/OR	AUTOMATIC SHUT DOWN RELAY OUTPUT
3	-	-
4	-	-
5	C13 18DB/OR	A/C COMPRESSOR CLUTCH RELAY CONTROL
6	K159 18GY	ENGINE SPEED SENSOR SIGNAL
7	-	-
8	C90 18LG	A/C SWITCH SENSE
9	K29 18WT/PK	BRAKE SWITCH SENSE
10	C18 18DB	A/C PRESSURE SIGNAL
11	K440 18VT/WT	5V SUPPLY
12	K151 18WT/RD	LOW IDLE POSITION SWITCH
13	K21 18BK/RD	INTAKE AIR TEMPERATURE SENSOR SIGNAL
14	-	-
15	-	-
16	-	-
17	-	-
18	G8 18LB/BK	FUEL MONITOR OUTPUT SIGNAL
19	-	-
20	L50 18WT/TN	BRAKE LAMP SWITCH OUTPUT
21	-	-
22	-	-
23	K255 18WT/DB	PEDAL POSITION SENSOR
24	K167 18BR	SENSOR RETURN
25	-	-
26	-	-
27	Z12 14BK/TN	GROUND
28	A142 14DG/OR	AUTOMATIC SHUT DOWN RELAY OUTPUT
29	K35 18GY/YL	EGR SOLENOID CONTROL
30	-	-
31	-	-
32	K185 18OR/LB	WAIT TO START INDICATOR
33	K51 18DB/YL	AUTOMATIC SHUT DOWN RELAY CONTROL
34	G3 18BK/PK	CHECK ENGINE INDICATOR DRIVER
35	-	-
36	-	-
37	-	-
38	G55 18OR/BK	ENGINE DISABLE SIGNAL
39	K70 18OR/WT	5V SUPPLY
40	K22 18OR/DB	BOOST PRESSURE SENSOR SIGNAL
41	-	-
42	K252 18LB/WT	GLOW PLUG RELAY NO. 2 CONTROL
43	K152 18WT	GLOW PLUG RELAY NO. 1 CONTROL
44	-	-
45	D21 18PK	SCI TRANSMIT
46	T24 18BR/YL	ENGINE STARTER MOTOR RELAY CONTROL
47	F99 18OR	FUSED IGNITION SWITCH OUTPUT (ST-RUN)
48	-	-
49	-	-
50	-	-
51	G7 18WT/OR	VEHICLE SPEED SENSOR SIGNAL
52	-	-



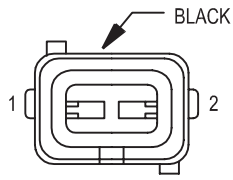
ENGINE CONTROL MODULE-C2 (DIESEL)

CAV	CIRCUIT	FUNCTION
53	K156 18GY	FUEL TEMPERATURE SENSOR SIGNAL
54	K2 18TN/BK	ENGINE COOLANT TEMPERATURE SENSOR SIGNAL
55	K68 18LG/YL	NEEDLE MOVEMENT SENSOR (+)
56	K134 18LB/BK	SLEEVE POSITION SENSOR (-)
57	K57 18LG/OR	CONTROL SLEEVE POSITION SENSOR
58	K135 18WT/BK	SLEEVE POSITION SENSOR (+)
59	K140 18TN/WT	FUEL QUANTITY ACTUATOR CONTROL
60	-	-
61	K121 18BK/VT	SENSOR GROUND
62	K67 18BR/BK	NEEDLE MOVEMENT SENSOR (-)
63	-	-
64	-	-
65	-	-
66	K140 18TN/WT	FUEL QUANTITY ACTUATOR CONTROL
67	K24 18GY/BK	CRANKSHAFT POSITION SENSOR SIGNAL
68	-	-
69	Z3 18BK/OR	GROUND
70	-	-
71	-	-
72	-	-
73	-	-
74	-	-
75	-	-
76	-	-
77	K153 18OR	FUEL SHUT DOWN SOLENOID CONTROL
78	-	-
79	K238 18VT	FUEL TIMING SOLENOID CONTROL
80	K140 18TN/WT	FUEL QUANTITY ACTUATOR CONTROL



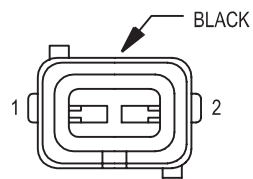
ENGINE COOLANT TEMPERATURE SENSOR (GAS)

CAV	CIRCUIT	FUNCTION
1	K4 18BK/LB	SENSOR GROUND
2	K2 18TN/BK	ENGINE COOLANT TEMPERATURE SENSOR SIGNAL



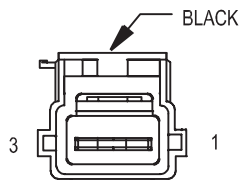
**ENGINE
COOLANT
TEMPERATURE
SENSOR NO. 1
(DIESEL)**

CAV	CIRCUIT	FUNCTION
1	K121 18BK/VT	SENSOR GROUND
2	K2 18TN/BK	ENGINE COOLANT TEMPERATURE SENSOR SIGNAL



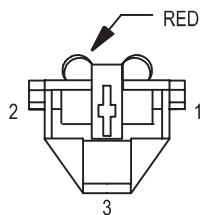
**ENGINE
COOLANT
TEMPERATURE
SENSOR NO. 2
(DIESEL)**

CAV	CIRCUIT	FUNCTION
1	K4 18BK/LB	SENSOR GROUND
2	K222 18TN/RD	SECONDARY ENGINE COOLANT TEMPERATURE SENSOR SIGNAL



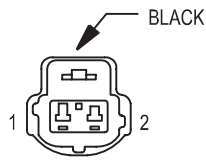
**ENGINE
OIL PRESSURE
SENSOR**

CAV	CIRCUIT	FUNCTION
1	K6 18VT/WT	5V SUPPLY
2	G60 18GY/YL	ENGINE OIL PRESSURE SENSOR SIGNAL
3	K4 18BK/LB	SENSOR GROUND



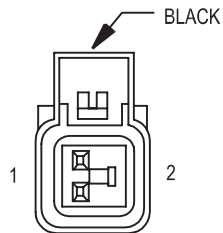
**FRONT
POWER
OUTLET**

CAV	CIRCUIT	FUNCTION
1	A148 16VT	FUSED B(+)
2	-	-
3	Z1 16BK	GROUND



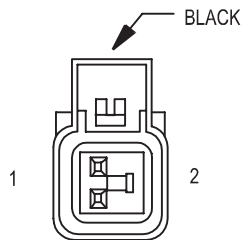
FUEL HEATER (DIESEL)

CAV	CIRCUIT	FUNCTION
1	Z1 16BK	GROUND
2	A93 16RD/BK	FUEL HEATER RELAY OUTPUT



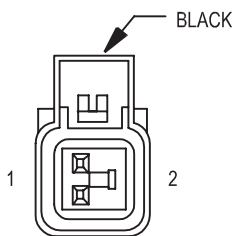
FUEL INJECTOR NO. 1

CAV	CIRCUIT	FUNCTION
1	K11 18WT/DB	FUEL INJECTOR NO. 1 DRIVER
2	F42 18DG/LG	FUSED AUTOMATIC SHUT DOWN RELAY OUTPUT



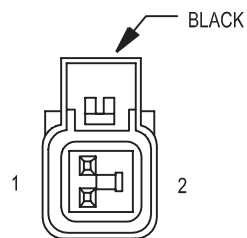
FUEL INJECTOR NO. 2

CAV	CIRCUIT	FUNCTION
1	K12 18TN	FUEL INJECTOR NO. 2 DRIVER
2	F42 18DG/LG	FUSED AUTOMATIC SHUT DOWN RELAY OUTPUT



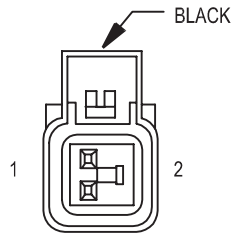
FUEL INJECTOR NO. 3

CAV	CIRCUIT	FUNCTION
1	K13 18YL/WT	FUEL INJECTOR NO. 3 DRIVER
2	F42 18DG/LG	FUSED AUTOMATIC SHUT DOWN RELAY OUTPUT



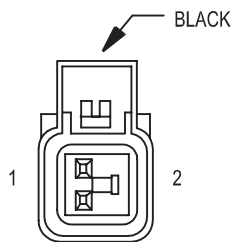
FUEL INJECTOR NO. 4

CAV	CIRCUIT	FUNCTION
1	K14 18LB/BR	FUEL INJECTOR NO. 4 DRIVER
2	F42 18DG/LG	FUSED AUTOMATIC SHUT DOWN RELAY OUTPUT



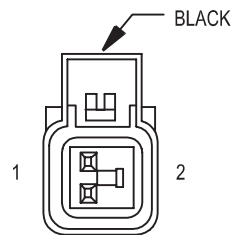
FUEL INJECTOR NO. 5

CAV	CIRCUIT	FUNCTION
1	K38 18GY	FUEL INJECTOR NO. 5 DRIVER
2	F42 18DG/LG	FUSED AUTOMATIC SHUT DOWN RELAY OUTPUT



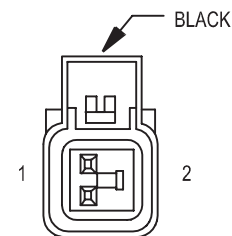
FUEL INJECTOR NO. 6

CAV	CIRCUIT	FUNCTION
1	K58 18BR/DB	FUEL INJECTOR NO. 6 DRIVER
2	F42 18DG/LG	FUSED AUTOMATIC SHUT DOWN RELAY OUTPUT



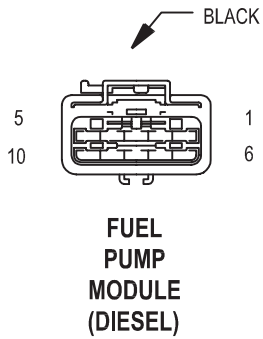
FUEL INJECTOR NO. 7 (4.7L)

CAV	CIRCUIT	FUNCTION
1	K17 18DB/TN	FUEL INJECTOR NO. 7 DRIVER
2	F42 18DG/LG	FUSED AUTOMATIC SHUT DOWN RELAY OUTPUT

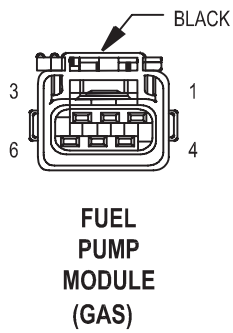


FUEL INJECTOR NO. 8 (4.7L)

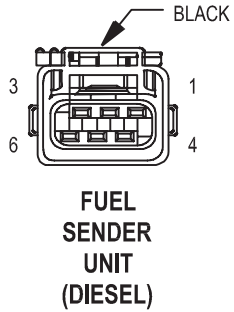
CAV	CIRCUIT	FUNCTION
1	K18 18DB/GY	FUEL INJECTOR NO. 8 DRIVER
2	F42 18DG/LG	FUSED AUTOMATIC SHUT DOWN RELAY OUTPUT



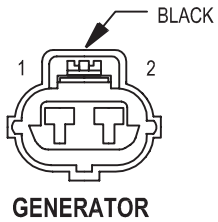
CAV	CIRCUIT	FUNCTION
1	K134 18LB/BK	SLEEVE POSITION SENSOR (-)
2	K57 18LG/OR	CONTROL SLEEVE POSITION SENSOR
3	K135 18WT/BK	SLEEVE POSITION SENSOR (+)
4	K121 18BK/VT	SENSOR GROUND
5	K238 16VT	FUEL TIMING SOLENOID CONTROL
6	K153 18OR	FUEL SHUT DOWN SOLENOID CONTROL
7	K156 18GY	FUEL TEMPERATURE SENSOR SIGNAL
8	K140 14TN/WT	FUEL QUANTITY ACTUATOR CONTROL
9	F42 18DG/LG	FUSED AUTOMATIC SHUT DOWN RELAY OUTPUT
10	F42 18DG/LG	FUSED AUTOMATIC SHUT DOWN RELAY OUTPUT



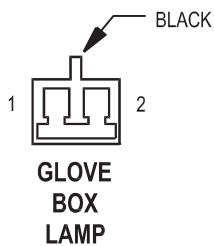
CAV	CIRCUIT	FUNCTION
1	A141 16DG/BK	FUEL PUMP RELAY OUTPUT
2	-	-
3	K226 20LB/YL	FUEL LEVEL SENSOR SIGNAL
4	K4 20BK/LB	SENSOR GROUND
5	-	-
6	Z1 16BK	GROUND



CAV	CIRCUIT	FUNCTION
1	-	-
2	-	-
3	K226 18LB/YL	FUEL LEVEL SENSOR SIGNAL
4	K4 18BK/LB	SENSOR GROUND
5	-	-
6	-	-

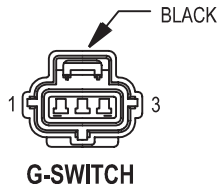


CAV	CIRCUIT	FUNCTION
1	K125 18WT/DB ●●	GENERATOR SOURCE
1	K21 18LB/RD ●	GENERATOR SOURCE
2	K20 18DG	GENERATOR FIELD DRIVER

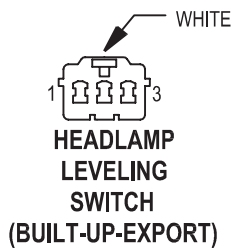


CAV	CIRCUIT	FUNCTION
1	F70 20PK/BK	FUSED B(+)
2	M20 20BR/OR	COURTESY LAMPS DRIVER

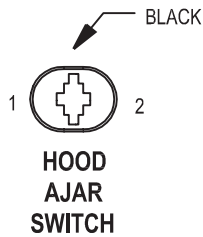
- GAS
- DIESEL



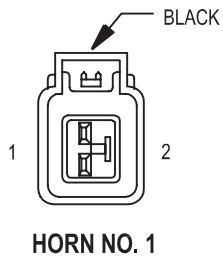
CAV	CIRCUIT	FUNCTION
1	B41 18YL/PK	G SWITCH NO. 1 SENSE
2	B43 18PK/OR	G SWITCH TEST SIGNAL
3	B42 18TN/WT	G SWITCH NO. 2 SENSE



CAV	CIRCUIT	FUNCTION
1	Z1 20BK	GROUND
2	L7 18BK/YL	PARK LAMP RELAY OUTPUT
3	L114 20VT/DB ■	HEADLAMP ADJUST SIGNAL
3	L114 20VT/YL ▲	HEADLAMP ADJUST SIGNAL

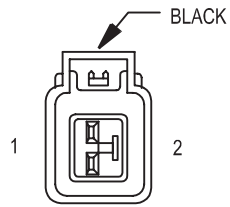


CAV	CIRCUIT	FUNCTION
1	G70 20BR/TN	HOOD AJAR SWITCH SENSE
2	Z1 20BK	GROUND



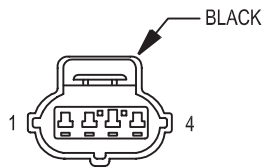
CAV	CIRCUIT	FUNCTION
1	Z1 18BK	GROUND
2	X2 18DG/RD	HORN RELAY OUTPUT

▲ RHD
■ LHD



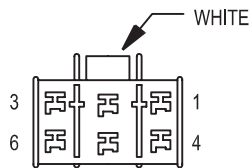
HORN NO. 2

CAV	CIRCUIT	FUNCTION
1	Z1 18BK	GROUND
2	X2 18DG/RD	HORN RELAY OUTPUT



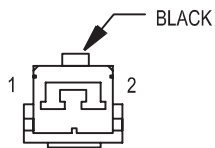
IDLE AIR CONTROL MOTOR

CAV	CIRCUIT	FUNCTION
1	K59 18VT/BK	IDLE AIR CONTROL NO. 4 DRIVER
2	K40 18BR/WT	IDLE AIR CONTROL NO. 3 DRIVER
3	K60 18YL/BK	IDLE AIR CONTROL NO. 2 DRIVER
4	K39 18GY/BK ●●	IDLE AIR CONTROL NO. 1 DRIVER
4	K39 18GY/RD ●	IDLE AIR CONTROL NO. 1 DRIVER



IGNITION SWITCH - C1

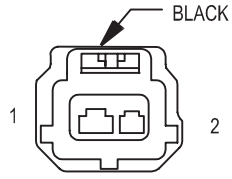
CAV	CIRCUIT	FUNCTION
1	A41 12YL	IGNITION SWITCH OUTPUT (START)
2	A2 12PK/BK	FUSED B(+)
3	A22 12BK/OR	IGNITION SWITCH OUTPUT (RUN)
4	A1 12RD	FUSED B(+)
5	A31 12RD/BK	IGNITION SWITCH OUTPUT (RUN-ACC)
6	A21 12DB	IGNITION SWITCH OUTPUT (ST-RUN)



IGNITION SWITCH - C2

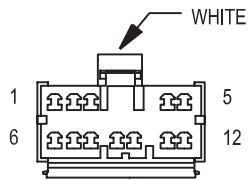
CAV	CIRCUIT	FUNCTION
1	G26 20LB	KEY-IN IGNITION SWITCH SENSE
2	Z1 20BK	GROUND

- 4.0L
- 4.7L



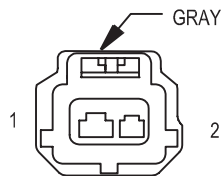
**INPUT
SPEED
SENSOR
(4.7L)**

CAV	CIRCUIT	FUNCTION
1	T52 18RD/BK	INPUT SPEED SENSOR SIGNAL
2	T13 18DB/BK	SPEED SENSOR GROUND



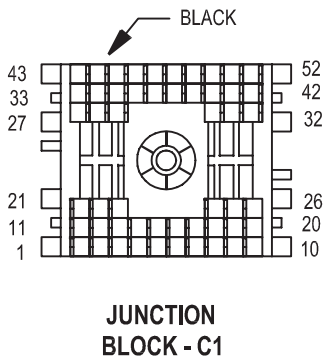
**INSTRUMENT
CLUSTER**

CAV	CIRCUIT	FUNCTION
1	L61 20LG	LEFT TURN SIGNAL
2	L60 20TN	RIGHT TURN SIGNAL
3	-	-
4	G7 20WT/OR	VEHICLE SPEED SENSOR SIGNAL
5	G9 20GY/BK	RED BRAKE WARNING INDICATOR DRIVER
6	F33 20PK/RD	FUSED B(+)
7	G5 20DB/WT	FUSED IGNITION SWITCH OUTPUT (ST-RUN)
8	-	-
9	Z1 20BK	GROUND
10	D25 20YL/VT/RD	PCI BUS
11	Z2 20BK/OR	GROUND
12	T107 20BK/RD	PART TIME 4 WHEEL DRIVE INDICATOR DRIVER



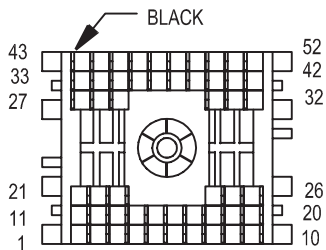
**INTAKE AIR
TEMPERATURE
SENSOR
(GAS)**

CAV	CIRCUIT	FUNCTION
1	K4 18BK/LB	SENSOR GROUND
2	K21 18BK/RD	INTAKE AIR TEMPERATURE SENSOR SIGNAL



- ▲ LHD
- BUILT-UP-EXPORT
- RHD

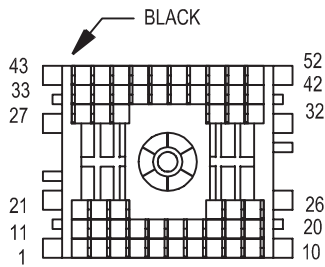
CAV	CIRCUIT	FUNCTION
1	Q30 16TN	SUNROOF DELAY RELAY OUTPUT
2	L63 18DG/RD	LEFT TURN SIGNAL
3	-	-
4	-	-
5	L95 18DG/YL ■	REAR FOG LAMP RELAY OUTPUT
6	-	-
7	-	-
8	-	-
9	G73 20LG/OR	LIFTGATE COURTESY DISABLE
10	G77 20TN/OR	DOOR AJAR SWITCH SENSE
11	L7 18BK/YL	PARK LAMP RELAY OUTPUT
12	-	-
13	-	-
14	-	-
15	F35 16RD	FUSED B(+)
16	M2 20YL/DG ▲	COURTESY LAMPS DRIVER
16	M2 18YL ●●	COURTESY LAMPS DRIVER
17	-	-
18	-	-
19	G10 20LG/RD	SEAT BELT SWITCH SENSE
20	-	-
21	-	-
22	-	-
23	-	-
24	G80 20VT/YL	LIFTGATE FLIP-UP AJAR SWITCH SENSE
25	G78 20TN/BK	LIFTGATE AJAR SWITCH SENSE
26	M20 20YL/BK ▲	COURTESY LAMP LOAD SHED
26	M20 18YL/BK ●●	COURTESY LAMP LOAD SHED
27	-	-
28	-	-
29	-	-
30	-	-
31	-	-
32	-	-
33	-	-
34	-	-
35	L50 16WT/TN	BRAKE LAMP SWITCH OUTPUT
36	-	-
37	-	-
38	-	-
39	-	-
40	-	-
41	F30 14RD/YL ▲	CIGAR LIGHTER RELAY OUTPUT
41	F30 12RD ●●	CIGAR LIGHTER RELAY OUTPUT
42	-	-
43	-	-
44	-	-
45	-	-
46	-	-
47	F70 18PK	FUSED B(+)
48	G5 20DB/WT	FUSED IGNITION SWITCH OUTPUT (ST-RUN)
49	-	-
50	C15 12BK/WT	REAR WINDOW DEFOGGER RELAY OUTPUT
51	-	-
52	-	-



**JUNCTION
BLOCK - C2
(LHD)**

CAV	CIRCUIT	FUNCTION
1	X4 22GY/OR	HORN RELAY CONTROL
2	G7 20WT/OR	VEHICLE SPEED SENSOR SIGNAL
3	L39 20LB	FOG LAMP RELAY OUTPUT
4	-	-
5	L61 20TN/LG	LEFT TURN SIGNAL
6	-	-
7	-	-
8	V6 16DB	FUSED IGNITION SWITCH OUTPUT (RUN-ACC)
9	V6 16DB ●	FUSED IGNITION SWITCH OUTPUT (RUN-ACC)
10	L62 18BR/RD	RIGHT TURN SIGNAL
11	F991 20OR/DB ●	FUSED IGNITION SWITCH OUTPUT (ST-RUN)
12	L39 20LB	FOG LAMP RELAY OUTPUT
13	-	-
14	-	-
15	-	-
16	-	-
17	-	-
18	-	-
19	-	-
20	L7 20BK/YL	PARK LAMP RELAY OUTPUT
21	L7 20BK/YL	PARK LAMP RELAY OUTPUT
22	-	-
23	-	-
24	F37 16RD/LB ●●	FUSED B(+)
25	F22 20WT/PK	FUSED IGNITION SWITCH OUTPUT (RUN)
26	L60 20TN	RIGHT TURN SIGNAL
27	F45 20YL/RD	FUSED IGNITION SWITCH OUTPUT (ST)
28	V55 16TN/RD	WIPER PARK SWITCH SENSE
29	-	-
30	-	-
31	A148 16VT ●●	FUSED B(+)
32	M1 20PK/RD	FUSED B(+)
33	V55 16TN/RD ●	WIPER PARK SWITCH SENSE
34	-	-
35	-	-
36	F21 12TN/BK	FUSED B(+)
37	-	-
38	L34 18RD/OR	FUSED RIGHT HIGH BEAM OUTPUT
39	L43 18VT	FUSED LEFT LOW BEAM OUTPUT
40	-	-
41	-	-
42	F20 18DB/PK	FUSED IGNITION SWITCH OUTPUT (RUN)
43	F99 20OR	FUSED IGNITION SWITCH OUTPUT (ST-RUN)
44	-	-
45	F21 12TN/LB	FUSED B(+)
46	-	-
47	F32 20PK/DB	FUSED B(+)
48	-	-
49	L44 18VT/RD	FUSED RIGHT LOW BEAM OUTPUT
50	L33 18RD	FUSED LEFT HIGH BEAM OUTPUT
51	-	-
52	F60 14RD/WT ●●	FUSED B(+)

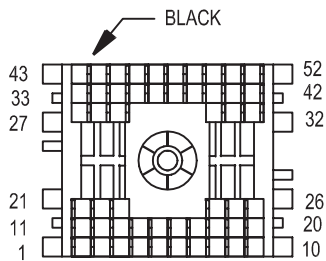
● GAS
●● POWER SEATS



**JUNCTION
BLOCK - C2
(RHD)**

CAV	CIRCUIT	FUNCTION
1	X4 22GY/OR	HORN RELAY CONTROL
2	G7 20WT/OR	VEHICLE SPEED SENSOR SIGNAL
3	L39 20LB	FOG LAMP RELAY OUTPUT
4	-	-
5	L61 20TN/LG	LEFT TURN SIGNAL
6	-	-
7	-	-
8	V6 16DB	FUSED IGNITION SWITCH OUTPUT (RUN-ACC)
9	V6 16DB ●	FUSED IGNITION SWITCH OUTPUT (RUN-ACC)
10	L62 20BR/RD	RIGHT TURN SIGNAL
11	F991 20OR/DB ●	FUSED IGNITION SWITCH OUTPUT (ST-RUN)
12	L39 20LB	FOG LAMP RELAY OUTPUT
13	-	-
14	-	-
15	-	-
16	-	-
17	-	-
18	-	-
19	-	-
20	L7 20BK/YL	PARK LAMP RELAY OUTPUT
21	L7 18BK/YL	PARK LAMP RELAY OUTPUT
22	-	-
23	-	-
24	F37 16RD/LB ●●	FUSED B(+)
25	F22 18WT/TN	FUSED IGNITION SWITCH OUTPUT (RUN)
26	L60 20TN	RIGHT TURN SIGNAL
27	F45 20YL/RD	FUSED IGNITION SWITCH OUTPUT (ST)
28	V55 16TN/RD	WIPER PARK SWITCH SENSE
29	-	-
30	-	-
31	A148 16VT ●●	FUSED B(+)
32	M1 20PK/RD	FUSED B(+)
33	V55 16TN/RD ●	WIPER PARK SWITCH SENSE
34	-	-
35	-	-
36	F21 12TN	FUSED B(+)
37	-	-
38	L34 18RD/OR	FUSED RIGHT HIGH BEAM OUTPUT
39	L43 18VT	FUSED LEFT LOW BEAM OUTPUT
40	-	-
41	-	-
42	F20 18DB/PK	FUSED IGNITION SWITCH OUTPUT (RUN)
43	F99 20OR	FUSED IGNITION SWITCH OUTPUT (ST-RUN)
44	-	-
45	F21 12TN	FUSED B(+)
46	-	-
47	F32 20PK/DB	FUSED B(+)
48	-	-
49	L44 18VT/RD	FUSED RIGHT LOW BEAM OUTPUT
50	L33 18RD	FUSED LEFT HIGH BEAM OUTPUT
51	-	-
52	F60 16RD/WT	FUSED B(+)

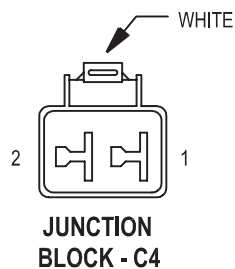
● GAS
●● POWER SEATS



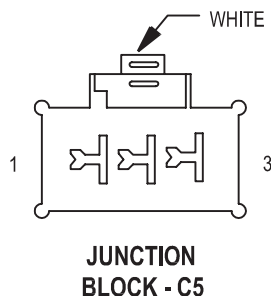
**JUNCTION
BLOCK - C3**

- AZC
- ▲ LHD
- ▼ RHD

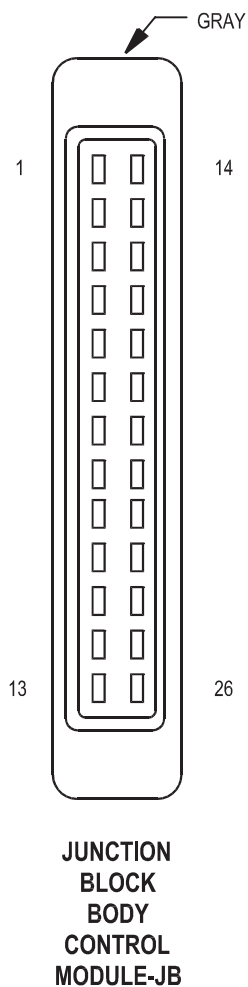
CAV	CIRCUIT	FUNCTION
1	F22 20WT/PK	FUSED IGNITION SWITCH OUTPUT (RUN)
2	-	-
3	L60 20TN	RIGHT TURN SIGNAL
4	L302 20LB/YL ▲	RIGHT TURN SWITCH SENSE
4	L302 18LB/YL ▼	RIGHT TURN SWITCH SENSE
5	L61 20LG	LEFT TURN SIGNAL
6	L91 20DB/PK	HAZARD SWITCH SENSE
7	-	-
8	L305 20LB/WT ▲	LEFT TURN SWITCH SENSE
8	L305 18LB/WT ▼	LEFT TURN SWITCH SENSE
9	-	-
10	L11 22PK/LG	HIGH BEAM RELAY CONTROL
11	F23 18DB/YL	FUSED IGNITION SWITCH OUTPUT (RUN)
12	F22 20WT/PK	FUSED IGNITION SWITCH OUTPUT (RUN)
13	-	-
14	A148 16VT	FUSED B(+)
15	C15 20BK/WT	FUSED REAR WINDOW DEFOGGER RELAY OUTPUT
16	-	-
17	-	-
18	-	-
19	-	-
20	G7 20WT/OR	VEHICLE SPEED SENSOR SIGNAL
21	-	-
22	-	-
23	-	-
24	A31 12RD/BK	IGNITION SWITCH OUTPUT (RUN-ACC)
25	F60 16RD/WT	FUSED B(+)
26	-	-
27	A41 12YL	IGNITION SWITCH OUTPUT (START)
28	F14 18LG/YL	FUSED IGNITION SWITCH OUTPUT (ST-RUN)
29	A22 12BK/OR	IGNITION SWITCH OUTPUT (RUN)
30	-	-
31	Z1 20BK	GROUND
32	F33 20PK/RD	FUSED B(+)
33	X12 16WT/RD ▲	FUSED IGNITION SWITCH OUTPUT (RUN-ACC)
33	X12 18RD/WT ▼	FUSED IGNITION SWITCH OUTPUT (RUN-ACC)
34	M1 20PK	FUSED B(+)
35	M1 20PK ■	FUSED B(+)
36	A21 12DB	IGNITION SWITCH OUTPUT (ST-RUN)
37	-	-
38	F70 20PK/BK	FUSED B(+)
39	X4 20GY/OR ▼	HORN RELAY CONTROL
39	X4 22GY/OR ▲	HORN RELAY CONTROL
40	F30 18RD	FUSED CIGAR LIGHTER RELAY OUTPUT
41	F33 20PK/RD	FUSED B(+)
42	-	-
43	V23 20BR/PK	FUSED IGNITION SWITCH OUTPUT (RUN-ACC)
44	M1 20PK	FUSED B(+)
45	Z2 20BK/OR	GROUND
46	-	-
47	-	-
48	F70 20PK/BK	FUSED B(+)
49	-	-
50	G5 20DB/WT	FUSED IGNITION SWITCH OUTPUT (ST-RUN)
51	G5 20DB/WT	FUSED IGNITION SWITCH OUTPUT (ST-RUN)
52	F99 20OR	FUSED IGNITION SWITCH OUTPUT (ST-RUN)



CAV	CIRCUIT	FUNCTION
1	A148 10PK/WT	FUSED B(+)
2	A146 10OR/WT	FUSED B(+)



CAV	CIRCUIT	FUNCTION
1	A145 10WT/RD	FUSED B(+)
2	A149 12RD/TN	FUSED B(+)
3	A147 10RD/GY	FUSED B(+)



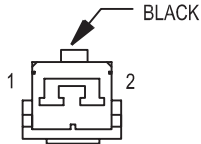
CAV	CIRCUIT	FUNCTION
1	L308	PARK LAMP RELAY CONTROL
2	L26	FOG LAMP RELAY CONTROL
3	Q29	SUNROOF DELAY RELAY CONTROL
4	L307	LOW BEAM RELAY CONTROL
5	G5	FUSED IGNITION SWITCH OUTPUT (ST-RUN)
6	X4	HORN RELAY CONTROL
7	-	-
8	-	-
9	L11	HIGH BEAM RELAY CONTROL
10	L91	HAZARD SWITCH SENSE
11	C80	REAR WINDOW DEFOGGER RELAY CONTROL
12	Z2	GROUND
13	L96	● REAR FOG LAMP RELAY CONTROL
14	L7	PARK LAMP RELAY CONTROL
15	Z1	GROUND
16	M2	COURTESY LAMP DRIVER
17	-	-
18	-	-
19	M20	COURTESY LAMP LOAD SHED
20	V55	WIPER PARK SWITCH SENSE
21	G78	LIFTGATE AJAR SWITCH SENSE
22	G10	SEAT BELT SWITCH SENSE
23	G77	DOOR AJAR SWITCH SENSE
24	G73	LIFTGATE COURTESY DISABLE
25	V23	FUSED IGNITION SWITCH OUTPUT (RUN-ACC)
26	M1	FUSED B(+)

● BUILT-UP-EXPORT



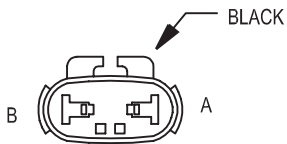
**LEAK
DETECTION
PUMP
(EXCEPT BUILT-
UP-EXPORT)**

CAV	CIRCUIT	FUNCTION
1	-	-
2	F142 18OR/DG	FUSED AUTOMATIC SHUT DOWN RELAY OUTPUT
3	K106 20WT/DG	LEAK DETECTION PUMP SOLENOID CONTROL
4	K107 20OR/PK	LEAK DETECTION PUMP SWITCH SENSE



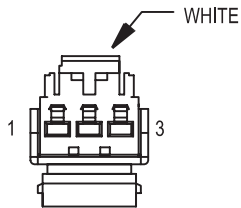
**LEFT
COURTESY
LAMP**

CAV	CIRCUIT	FUNCTION
1	F70 20PK/BK	FUSED B(+)
2	M2 20YL	COURTESY LAMP DRIVER



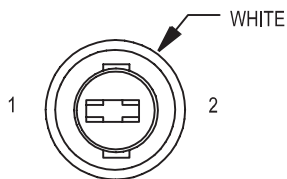
**LEFT
FOG LAMP**

CAV	CIRCUIT	FUNCTION
A	L39 20LB	FOG LAMP RELAY OUTPUT
B	Z1 20BK	GROUND



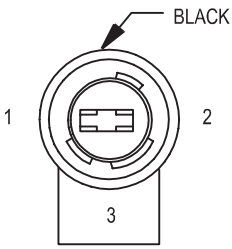
**LEFT FRONT
DOOR
SPEAKER**

CAV	CIRCUIT	FUNCTION
1	X85 18LG/DG	LEFT FRONT DOOR SPEAKER (-)
2	-	-
3	X87 18LG/RD	LEFT FRONT DOOR SPEAKER (+)



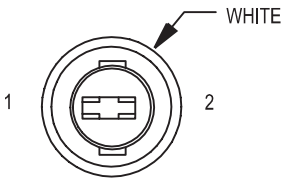
**LEFT FRONT
PARK LAMP**

CAV	CIRCUIT	FUNCTION
1	Z1 18BK	GROUND
2	L7 20BK/PK	PARK LAMP RELAY OUTPUT



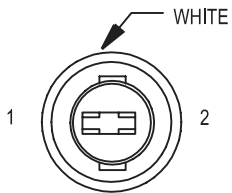
**LEFT FRONT
PARK/TURN
SIGNAL LAMP
(EXCEPT BUILT-
UP-EXPORT)**

CAV	CIRCUIT	FUNCTION
1	L7 20BK/PK	PARK LAMP RELAY CONTROL
2	Z1 18BK	GROUND
3	L61 20TN/LG	LEFT TURN SIGNAL



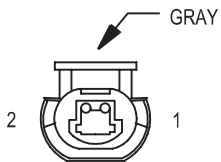
**LEFT
FRONT SIDE
MARKER LAMP
(EXCEPT BUILT-
UP-EXPORT)**

CAV	CIRCUIT	FUNCTION
1	L7 20BK/PK	PARK LAMP RELAY OUTPUT
2	L61 20TN/LG	LEFT TURN SIGNAL



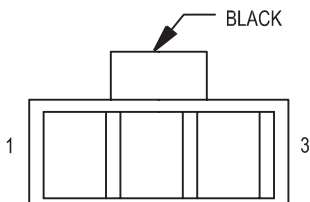
**LEFT FRONT
TURN SIGNAL LAMP
(BUILT-UP-EXPORT)**

CAV	CIRCUIT	FUNCTION
1	L61 20TN/LG	LEFT TURN SIGNAL
2	Z1 18BK	GROUND



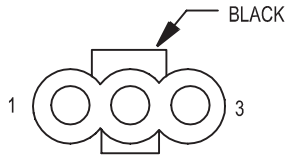
**LEFT FRONT
WHEEL SPEED
SENSOR**

CAV	CIRCUIT	FUNCTION
1	B8 18RD/DB	LEFT FRONT WHEEL SPEED SENSOR 12V SUPPLY
2	B9 18RD	LEFT FRONT WHEEL SPEED SENSOR SIGNAL



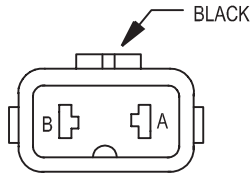
**LEFT HANDLE
COURTESY LAMP
SWITCH**

CAV	CIRCUIT	FUNCTION
1	M20 20YL/BK	COURTESY LAMP LOAD SHED
2	Q41 20WT	SWITCHED COURTESY LAMP DRIVER
3	M2 20YL/DG	COURTESY LAMP DRIVER



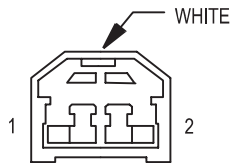
LEFT HEADLAMP LEVELING MOTOR (BUILT-UP-EXPORT)

CAV	CIRCUIT	FUNCTION
1	Z1 18BK	GROUND
2	L114 18VT/DB	HEADLAMP ADJUST SIGNAL
3	L7 20BK/PK	PARK LAMP RELAY OUTPUT



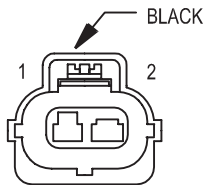
LEFT HIGH BEAM HEADLAMP

CAV	CIRCUIT	FUNCTION
A	Z1 18BK	GROUND
B	L33 18RD	FUSED LEFT HIGH BEAM OUTPUT



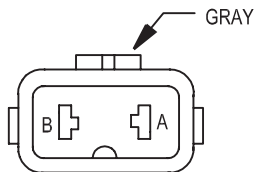
LEFT INSTRUMENT PANEL SPEAKER

CAV	CIRCUIT	FUNCTION
1	X83 18YL/RD	• LEFT INSTRUMENT PANEL SPEAKER (+)
1	X81 18YL/BK	•• LEFT INSTRUMENT PANEL SPEAKER (-)
2	X81 18YL/BK	• LEFT INSTRUMENT PANEL SPEAKER (-)
2	X83 18YL/RD	•• LEFT INSTRUMENT PANEL SPEAKER (+)



LEFT LIFTGATE AJAR SWITCH

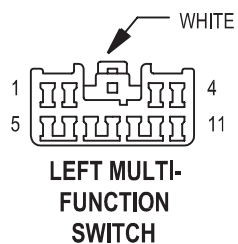
CAV	CIRCUIT	FUNCTION
1	Z1 20BK	GROUND
2	G78 20TN/BK	LIFTGATE AJAR SWITCH SENSE



LEFT LOW BEAM HEADLAMP

CAV	CIRCUIT	FUNCTION
A	Z1 18BK	GROUND
B	L43 18VT	FUSED LEFT LOW BEAM OUTPUT

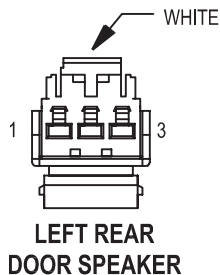
• LHD
•• RHD



CAV	CIRCUIT	FUNCTION
1	L27 22WT/TN	FOG LAMP SWITCH SENSE
2	Z1 20BK	GROUND
3	-	-
4	L80 20WT/DG	HEADLAMP SWITCH RETURN
5	L11 22PK/LG	HIGH BEAM RELAY CONTROL
6	L40 22BR	HIGH BEAM SWITCH SENSE
7	L302 18LB/YL •	RIGHT TURN SWITCH SENSE
7	L302 20LB/YL ••	RIGHT TURN SWITCH SENSE
8	L305 18LB/WT •	LEFT TURN SWITCH SENSE
8	L305 20LB/WT ••	LEFT TURN SWITCH SENSE
9	L91 20DB/PK	HAZARD SWITCH SENSE
10	E19 20RD	PANEL LAMPS DIMMER SIGNAL
11	G52 20YL	HEADLAMP SWITCH MUX

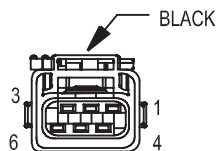


CAV	CIRCUIT	FUNCTION
1	G76 18TN/YL	DOOR AJAR SWITCH SENSE
2	Z1 18BK	GROUND
3	P36 18PK/VT	DOOR UNLOCK DRIVER
4	P35 18OR/VT	DOOR LOCK DRIVER



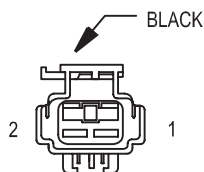
CAV	CIRCUIT	FUNCTION
1	X93 18WT/VT	LEFT REAR DOOR SPEAKER (+)
2	-	-
3	X91 18TN/DG	LEFT REAR DOOR SPEAKER (-)

- RHD
- LHD



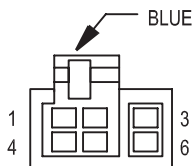
**LEFT REAR
LAMP ASSEMBLY**

CAV	CIRCUIT	FUNCTION
1	L1 18VT/BK	BACK-UP LAMP FEED
2	L95 18DG/YL ■	REAR FOG LAMP RELAY OUTPUT
3	L7 18BK/YL	PARK LAMP RELAY OUTPUT
4	L63 18DG/RD	LEFT TURN SIGNAL
5	Z1 18BK	GROUND
6	L50 18WT/TN	BRAKE LAMP SWITCH OUTPUT



**LEFT REAR
POWER WINDOW
MOTOR**

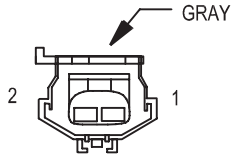
CAV	CIRCUIT	FUNCTION
1	Q124 16DG/WT	WINDOW DRIVER DOWN
2	Q114 16GY/WT	WINDOW DRIVER UP



**LEFT REAR
POWER WINDOW
SWITCH**

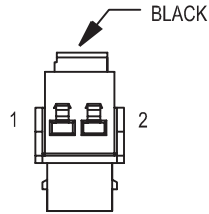
CAV	CIRCUIT	FUNCTION
1	Q13 16GY	DRIVER REAR WINDOW DRIVER UP
2	Q114 16GY/WT	WINDOW DRIVER UP
3	E21 20OR/DB	DOOR SWITCH ILLUMINATION
4	Q23 16DG	DRIVER REAR WINDOW DRIVER DOWN
5	Q124 16DG/WT	WINDOW DRIVER DOWN
6	Z1 16BK	GROUND

■ BUILT-UP-EXPORT



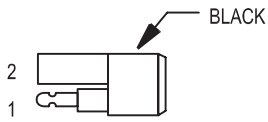
**LEFT REAR
WHEEL SPEED
SENSOR**

CAV	CIRCUIT	FUNCTION
1	B3 18LG/DB	LEFT REAR WHEEL SPEED SENSOR 12V SUPPLY
2	B4 18LG	LEFT REAR WHEEL SPEED SENSOR SIGNAL



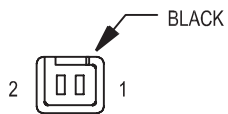
**LEFT REMOTE
RADIO SWITCH**

CAV	CIRCUIT	FUNCTION
1	X10 20RD/BK	RADIO CONTROL MUX RETURN
2	X20 20RD/YL	RADIO CONTROL MUX



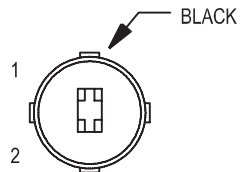
**LEFT SIDE
REPEATER**

CAV	CIRCUIT	FUNCTION
1	Z1 18BK	GROUND
2	L61 18TN/LG	LEFT TURN SIGNAL



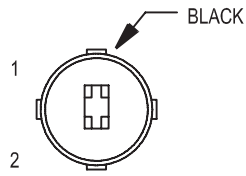
**LEFT VISOR/
VANITY LAMP**

CAV	CIRCUIT	FUNCTION
1	F70 20PK	FUSED B(+)
2	M20 20YL/BK	COURTESY LAMP LOAD SHED



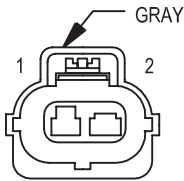
**LICENSE
LAMP NO. 1**

CAV	CIRCUIT	FUNCTION
1	L7 18BK/YL	PARK LAMP RELAY OUTPUT
2	Z1 18BK	GROUND



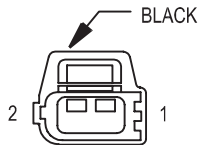
**LICENSE
LAMP NO. 2**

CAV	CIRCUIT	FUNCTION
1	L7 18BK/YL	PARK LAMP RELAY OUTPUT
2	Z1 18BK	GROUND



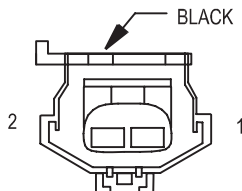
**LIFTGATE
FLIP-UP
AJAR SWITCH**

CAV	CIRCUIT	FUNCTION
1	Z1 20BK	GROUND
2	G80 20VT/YL	LIFTGATE FLIP-UP AJAR SWITCH SENSE



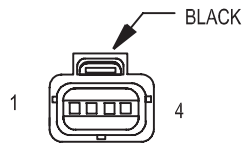
**LIFTGATE
FLIP-UP
PUSH BUTTON
SWITCH**

CAV	CIRCUIT	FUNCTION
1	P101 18OR/PK	LIFTGATE FLIP-UP SWITCH OUTPUT
2	F70 18PK	FUSED B (+)



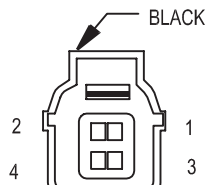
**LIFTGATE
FLIP-UP
RELEASE
SOLENOID**

CAV	CIRCUIT	FUNCTION
1	Z1 18BK	GROUND
2	P100 18OR/BR	LIFTGATE GLASS LIMIT SWITCH OUTPUT



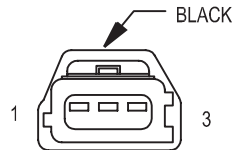
**LIFTGATE
LOCK
MOTOR**

CAV	CIRCUIT	FUNCTION
1	P35 18OR/VT	DOOR LOCK DRIVER
2	P36 18PK/VT	DOOR UNLOCK DRIVER
3	P101 18OR/PK	LIFTGATE FLIP-UP SWITCH OUTPUT
4	P100 18OR/BR	LIFTGATE GLASS LIMIT SWITCH OUTPUT



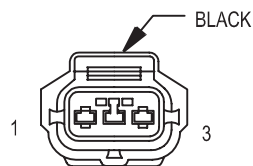
**LINE
PRESSURE
SENSOR
(4.7L)**

CAV	CIRCUIT	FUNCTION
1	Z13 14BK/RD	GROUND
2	T138 14GY/LB	5V SUPPLY
3	T130 14VT/TN	LINE PRESSURE SENSOR SIGNAL
4	-	-



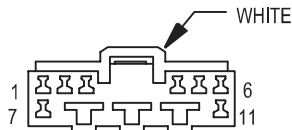
**MANIFOLD
ABSOLUTE
PRESSURE
SENSOR
(4.0L)**

CAV	CIRCUIT	FUNCTION
1	K4 18BK/LB	SENSOR GROUND
2	K1 18DG/RD	MAP SENSOR SIGNAL
3	K7 20OR	5V SUPPLY



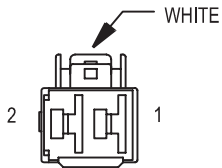
**MANIFOLD
ABSOLUTE
PRESSURE
SENSOR
(4.7L)**

CAV	CIRCUIT	FUNCTION
1	K7 20OR	5V SUPPLY
2	K4 18BK/LB	SENSOR GROUND
3	K1 18DG/RD	MAP SENSOR SIGNAL



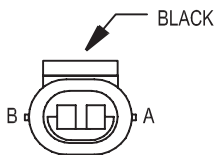
**MANUAL
TEMPERATURE
CONTROL - C1**

CAV	CIRCUIT	FUNCTION
1	C103 20DG	A/C SWITCH SIGNAL
2	Z2 20BK/OR	GROUND
3	C67 20RD/LB	BLEND AIR DOOR POSITION CONTROL
4	C15 20BK/WT	FUSED REAR WINDOW DEFOGGER RELAY OUTPUT
5	C15 20BK/WT	REAR WINDOW DEFOGGER SWITCH SENSE
6	F22 20WT/PK	FUSED IGNITION SWITCH OUTPUT (RUN)
7	E2 20OR	PANEL LAMPS DRIVER
8	C4 16TN	BLOWER MOTOR LOW DRIVER
9	C5 16LG	BLOWER MOTOR M1 DRIVER
10	C6 14LB	BLOWER MOTOR M2 DRIVER
11	-	-



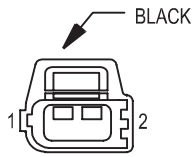
**MANUAL
TEMPERATURE
CONTROL - C2**

CAV	CIRCUIT	FUNCTION
1	Z1 12BK	GROUND
2	C7 12BK/TN	BLOWER MOTOR HIGH DRIVER



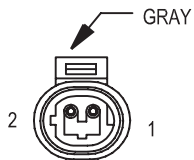
**MODE
DOOR MOTOR/
ACTUATOR
(AZC)**

CAV	CIRCUIT	FUNCTION
A	C35 20TN/BK	MODE DOOR DRIVER (A)
B	C102 20YL	MODE DOOR DRIVER (B)



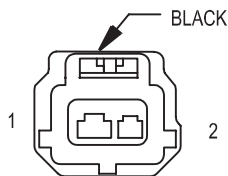
**NEEDLE
MOVEMENT
SENSOR
(DIESEL)**

CAV	CIRCUIT	FUNCTION
1	K67 18BR/BK	NEEDLE MOVEMENT SENSOR (-)
2	K68 18LG/YL	NEEDLE MOVEMENT SENSOR (+)



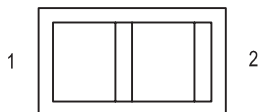
**OUTPUT
SPEED
SENSOR
(4.0L/DIESEL)**

CAV	CIRCUIT	FUNCTION
1	T13 18DB/BK	SPEED SENSOR GROUND
2	T14 18LG/WT	OUTPUT SPEED SENSOR SIGNAL



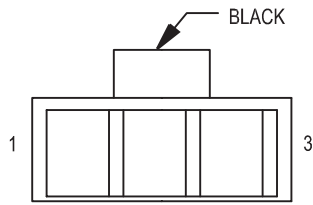
**OUTPUT
SPEED
SENSOR
(4.7L)**

CAV	CIRCUIT	FUNCTION
1	T14 18LG/WT	OUTPUT SPEED SENSOR SIGNAL
2	T13 18DB/BK	SPEED SENSOR GROUND



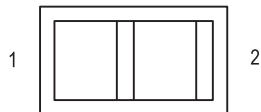
**OVERHEAD MAP/
COURTESY LAMP
NO. 1**

CAV	CIRCUIT	FUNCTION
1	F70 20PK	FUSED B(+)
2	Q41 20WT	SWITCHED COURTESY LAMP DRIVER



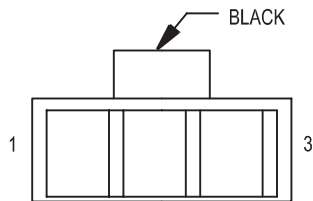
**OVERHEAD MAP/
COURTESY LAMP
NO. 1 SWITCH**

CAV	CIRCUIT	FUNCTION
1	M2 20YL/DG	COURTESY LAMP DRIVER
2	Q41 20WT	SWITCHED COURTESY LAMP DRIVER
3	M20 20YL/BK	COURTESY LAMP LOAD SHED



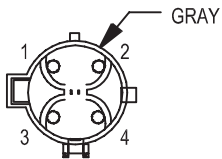
**OVERHEAD MAP/
COURTESY LAMP
NO. 2**

CAV	CIRCUIT	FUNCTION
1	Q41 20WT	SWITCHED COURTESY LAMP DRIVER
2	F70 20PK	FUSED B(+)



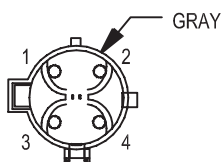
**OVERHEAD MAP/
COURTESY LAMP
NO. 2 SWITCH**

CAV	CIRCUIT	FUNCTION
1	M2 20YL/DG	COURTESY LAMP DRIVER
2	Q41 20WT	SWITCHED COURTESY LAMP DRIVER
3	M20 20YL/BK	COURTESY LAMP LOAD SHED



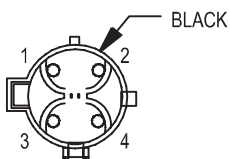
**OXYGEN
SENSOR 1/1
UPSTREAM
(CALIFORNIA)**

CAV	CIRCUIT	FUNCTION
1	K100 18VT/WT	OXYGEN SENSOR UPSTREAM RELAY OUTPUT
2	Z1 18BK	GROUND
3	K4 18BK/LB	SENSOR GROUND
4	K241 18LG/RD	OXYGEN SENSOR 1/1 SIGNAL



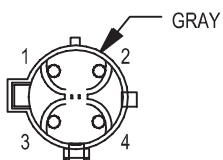
**OXYGEN
SENSOR 1/1
UPSTREAM
(EXCEPT CALIFORNIA)**

CAV	CIRCUIT	FUNCTION
1	F142 18OR/DG	FUSED AUTOMATIC SHUT DOWN RELAY OUTPUT
2	Z1 18BK	GROUND
3	K4 18BK/LB	SENSOR GROUND
4	K241 18LG/RD	OXYGEN SENSOR 1/1 SIGNAL



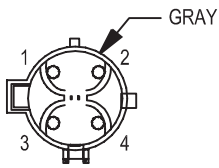
**OXYGEN
SENSOR 1/2
DOWNSTREAM
(CALIFORNIA)**

CAV	CIRCUIT	FUNCTION
1	K200 18VT/OR	OXYGEN SENSOR DOWNSTREAM RELAY OUTPUT
2	Z1 18BK	GROUND
3	K4 18BK/LB	SENSOR GROUND
4	K41 18BK/DG	OXYGEN SENSOR 1/2 SIGNAL



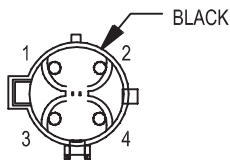
**OXYGEN
SENSOR 1/2
DOWNSTREAM
(EXCEPT CALIFORNIA)**

CAV	CIRCUIT	FUNCTION
1	F142 18OR/DG	FUSED AUTOMATIC SHUT DOWN RELAY OUTPUT
2	Z1 18BK	GROUND
3	K4 18BK/LB	SENSOR GROUND
4	K41 18BK/DG	OXYGEN SENSOR 1/2 SIGNAL



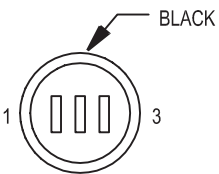
**OXYGEN
SENSOR 2/1
UPSTREAM
(CALIFORNIA)**

CAV	CIRCUIT	FUNCTION
1	K100 18VT/WT	OXYGEN SENSOR UPSTREAM RELAY OUTPUT
2	Z1 18BK	GROUND
3	K4 18BK/LB	SENSOR GROUND
4	K141 18TN/WT	OXYGEN SENSOR 2/1 SIGNAL



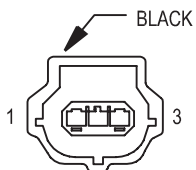
**OXYGEN
SENSOR 2/2
DOWNSTREAM
(CALIFORNIA)**

CAV	CIRCUIT	FUNCTION
1	K200 18VT/OR	OXYGEN SENSOR DOWNSTREAM RELAY OUTPUT
2	Z1 18BK	GROUND
3	K4 18BK/LB	SENSOR GROUND
4	K341 18PK/WT	OXYGEN SENSOR 2/2 SIGNAL



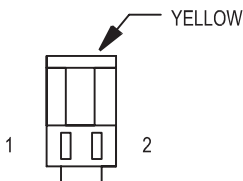
**PARK/NEUTRAL
POSITION
SWITCH
(4.0L GAS)**

CAV	CIRCUIT	FUNCTION
1	L1 18VT/BK	BACK-UP LAMP FEED
2	T24 18BR/YL	ENGINE STARTER MOTOR RELAY CONTROL
3	F22 18WT/TN	FUSED IGNITION SWITCH OUTPUT (RUN)



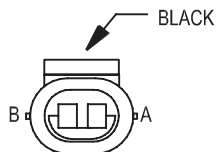
**PARK/NEUTRAL
POSITION
SWITCH
(DIESEL)**

CAV	CIRCUIT	FUNCTION
1	L1 18VT/BK	BACK-UP LAMP FEED
2	T24 18BR/YL	ENGINE STARTER MOTOR RELAY CONTROL
3	F22 18WT/TN	FUSED IGNITION SWITCH OUTPUT (RUN)



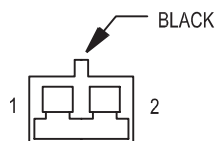
**PASSENGER
AIRBAG**

CAV	CIRCUIT	FUNCTION
1	R44 18DG/YL	PASSENGER AIRBAG LINE 1
2	R42 18BK/YL	PASSENGER AIRBAG LINE 2



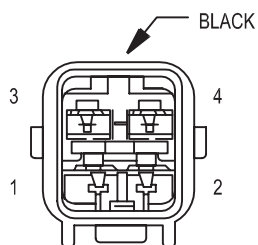
PASSENGER BLEND DOOR MOTOR/ACTUATOR (AZC)

CAV	CIRCUIT	FUNCTION
A	C94 20DB/RD	PASSENGER BLEND DOOR DRIVER (A)
B	C96 20DB/WT	PASSENGER BLEND DOOR DRIVER (B)



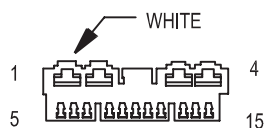
PASSENGER DOOR COURTESY LAMP

CAV	CIRCUIT	FUNCTION
1	M21 20PK/DG	COURTESY LAMP DRIVER
2	L121 20BK/RD	COURTESY LAMP GROUND



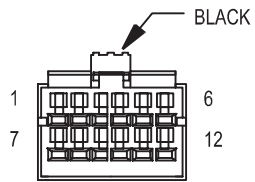
PASSENGER DOOR LOCK MOTOR/AJAR SWITCH

CAV	CIRCUIT	FUNCTION
1	G74 18TN/RD	PASSENGER DOOR AJAR SWITCH SENSE
2	Z1 18BK	GROUND
3	P36 18PK/VT	DOOR UNLOCK DRIVER
4	P35 18OR/VT	DOOR LOCK DRIVER



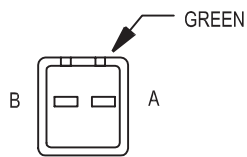
PASSENGER DOOR MODULE - C1

CAV	CIRCUIT	FUNCTION
1	F21 12TN/BK	FUSED B(+)
2	Q24 16DG	PASSENGER REAR WINDOW DRIVER (DOWN)
3	Q14 16GY	PASSENGER REAR WINDOW DRIVER (UP)
4	Z1 12BK	GROUND
5	P35 18OR/VT	DOOR LOCK DRIVER
6	-	-
7	P36 18PK/VT	DOOR UNLOCK DRIVER
8	-	-
9	D25 20YL/VT	PCI BUS
10	-	-
11	G74 18TN/RD	PASSENGER DOOR AJAR SWITCH SENSE
12	E20 20OR/DB	DOOR SWITCH ILLUMINATION
13	Q12 16BR	PASSENGER WINDOW DRIVER (UP)
14	-	-
15	Q22 16VT	PASSENGER WINDOW DRIVER (DOWN)



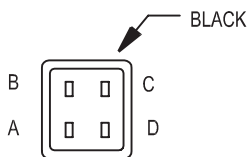
**PASSENGER
DOOR
MODULE-C2**

CAV	CIRCUIT	FUNCTION
1	P95 20OR	MIRROR HORIZONTAL DRIVER
2	C118 20BK/WT	MIRROR HEATER GROUND
3	P64 20VT	MIRROR VERTICAL POSITION SIGNAL
4	P69 20GY	MIRROR SENSOR GROUND
5	P65 20DG	MIRROR HORIZONTAL POSITION SIGNAL
6	C117 20BK	MIRROR HEATER 12V SUPPLY
7	P91 20WT	MIRROR COMMON DRIVER
8	P93 20RD	MIRROR VERTICAL DRIVER
9	M21 20PK/DG	COURTESY LAMP DRIVER
10	P110 20YL	• POWER FOLDING MIRROR RETURN
11	P99 20DB	• POWER FOLDING MIRROR FEED
12	L121 20BK/RD	COURTESY LAMP GROUND



**PASSENGER
HEATED SEAT
BACK
(PREMIUM I/III)**

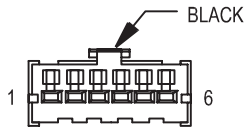
CAV	CIRCUIT	FUNCTION
A	P88 16BK/BR	HEATED SEAT DRIVER
B	Z5 16BK/VT	GROUND



**PASSENGER
HEATED SEAT
CUSHION
(PREMIUM I/II)**

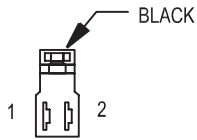
CAV	CIRCUIT	FUNCTION
A	P130 16DG/WT	PASSENGER SEAT HEATER B(+) DRIVER
B	P88 16BK/BR	HEATED SEAT DRIVER
C	P86 20DG/YL	PASSENGER SEAT TEMPERATURE SENSOR INPUT
D	P29 20BR/WT	SEAT SENSOR 5V SUPPLY

• BUILT-UP-EXPORT



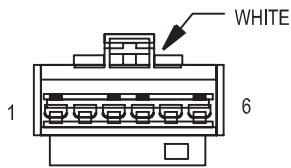
PASSENGER HEATED SEAT SWITCH

CAV	CIRCUIT	FUNCTION
1	P134 20LG/WT	PASSENGER SEAT HEATER SWITCH MUX
2	E2 20OR	PANEL LAMPS DRIVER
3	F22 20WT/PK	FUSED IGNITION SWITCH OUTPUT (RUN)
4	-	-
5	Z1 20BK	GROUND
6	P132 20OR/BK	SEAT HEATER SWITCH SENSOR GROUND



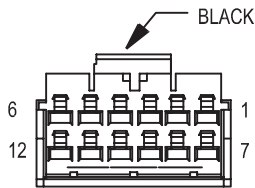
PASSENGER LUMBAR MOTOR (MIDLINE/PREMIUM)

CAV	CIRCUIT	FUNCTION
1	P104 16YL/RD	LUMBAR REARWARD SWITCH SENSE
2	P105 16LG/DB	LUMBAR FORWARD SWITCH SENSE



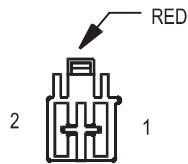
PASSENGER LUMBAR SWITCH (MIDLINE/PREMIUM)

CAV	CIRCUIT	FUNCTION
1	-	-
2	Z1 16BK	GROUND
3	P105 16LG/DB ●●	LUMBAR FORWARD SWITCH SENSE
3	P104 16YL/RD ●	LUMBAR REARWARD SWITCH SENSE
4	P104 16YL/RD ●●	LUMBAR REARWARD SWITCH SENSE
4	P105 16LG/DB ●	LUMBAR FORWARD SWITCH SENSE
5	Z1 16BK	GROUND
6	F37 16RD/LB	FUSED B(+)



PASSENGER POWER MIRROR

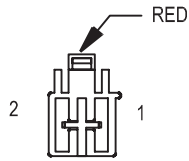
CAV	CIRCUIT	FUNCTION
1	P95 20OR	MIRROR HORIZONTAL DRIVER
2	C118 20BK/WT	MIRROR HEATER GROUND
3	P64 20VT	MIRROR VERTICAL POSITION SIGNAL
4	P69 20GY	MIRROR SENSOR GROUND
5	P65 20DG	MIRROR HORIZONTAL POSITION SIGNAL
6	C117 20BK	MIRROR HEATER 12V SUPPLY
7	P91 20WT	MIRROR COMMON DRIVER
8	P93 20RD	MIRROR VERTICAL DRIVER
9	-	-
10	P110 20YL ▲	POWER FOLDING MIRROR RETURN
11	P99 20DB ▲	POWER FOLDING MIRROR FEED
12	-	-



PASSENGER POWER SEAT FRONT RISER MOTOR

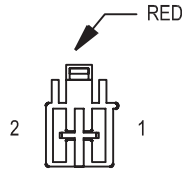
CAV	CIRCUIT	FUNCTION
1	P18 16YL/LG	PASSENGER SEAT FRONT UP DRIVER
2	P20 16RD/LG	PASSENGER SEAT FRONT DOWN DRIVER

- LHD
- RHD
- ▲ BUILT-UP-EXPORT



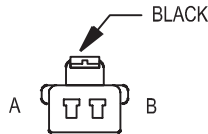
**PASSENGER
POWER SEAT
HORIZONTAL
MOTOR**

CAV	CIRCUIT	FUNCTION
1	P16 16RD/YL	PASSENGER SEAT HORIZONTAL REARWARD DRIVER
2	P14 16YL/LB	PASSENGER SEAT HORIZONTAL FORWARD DRIVER



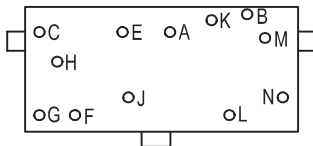
**PASSENGER
POWER SEAT
REAR RISER
MOTOR**

CAV	CIRCUIT	FUNCTION
1	P10 16YL/WT	PASSENGER SEAT REAR UP DRIVER
2	P12 16RD/WT	PASSENGER SEAT REAR DOWN DRIVER



**PASSENGER
POWER SEAT
RECLINER MOTOR
(MIDLINE/PREMIUM)**

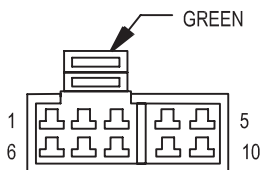
CAV	CIRCUIT	FUNCTION
A	P42 16BR/WT	PASSENGER SEAT RECLINER DOWN DRIVER
B	P44 16GY/LB	PASSENGER SEAT RECLINER UP DRIVER



**PASSENGER
POWER SEAT
SWITCH
(BASE)**

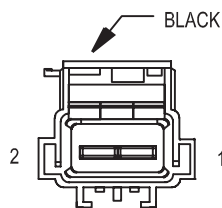
CAV	CIRCUIT	FUNCTION
A	F37 16RD/LB	FUSED B(+)
B	Z1 16BK	GROUND
C	-	-
D	-	-
E	P18 16YL/LG ●●	PASSENGER SEAT FRONT UP DRIVER
E	P20 16RD/LG ●	PASSENGER SEAT FRONT DOWN DRIVER
F	-	-
G	-	-
H	-	-
I	-	-
J	P20 16RD/LG ●●	PASSENGER SEAT FRONT DOWN DRIVER
J	P18 16YL/LG ●	PASSENGER SEAT FRONT UP DRIVER
K	P14 16YL/LB	PASSENGER SEAT HORIZONTAL FORWARD DRIVER
L	P16 16RD/YL	PASSENGER SEAT HORIZONTAL REARWARD DRIVER
M	P10 16YL/WT ●●	PASSENGER SEAT REAR UP DRIVER
M	P12 16RD/WT ●	PASSENGER SEAT REAR DOWN DRIVER
N	P12 16RD/WT ●●	PASSENGER SEAT REAR DOWN DRIVER
N	P10 16YL/WT ●	PASSENGER SEAT REAR UP DRIVER

●● LHD
● RHD



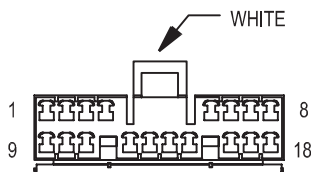
**PASSENGER
POWER SEAT
SWITCH
(MIDLINE/PREMIUM)**

CAV	CIRCUIT	FUNCTION
1	Z1 16BK	GROUND
2	P44 16GY/LB	PASSENGER SEAT RECLINER UP DRIVER
3	P16 16RD/YL	PASSENGER SEAT HORIZONTAL REARWARD DRIVER
4	P42 16BR/WT	PASSENGER SEAT RECLINER DOWN DRIVER
5	F37 16RD/LB	FUSED B(+)
6	P14 16YL/LB	PASSENGER SEAT HORIZONTAL FORWARD DRIVER
7	P20 16RD/LG ●●	PASSENGER SEAT FRONT DOWN DRIVER
7	P18 16YL/LG ●	PASSENGER SEAT FRONT UP DRIVER
8	P12 16RD/WT ●●	PASSENGER SEAT REAR DOWN DRIVER
8	P10 16YL/WT ●	PASSENGER SEAT REAR UP DRIVER
9	P10 16YL/WT ●●	PASSENGER SEAT REAR UP DRIVER
9	P12 16RD/WT ●	PASSENGER SEAT REAR DOWN DRIVER
10	P18 16YL/LG ●●	PASSENGER SEAT FRONT UP DRIVER
10	P20 16RD/LG ●	PASSENGER SEAT FRONT DOWN DRIVER



**PASSENGER
POWER WINDOW
MOTOR**

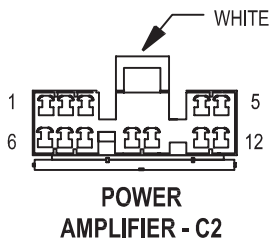
CAV	CIRCUIT	FUNCTION
1	Q22 16VT	PASSENGER WINDOW DRIVER (DOWN)
2	Q12 16BR	PASSENGER WINDOW DRIVER (UP)



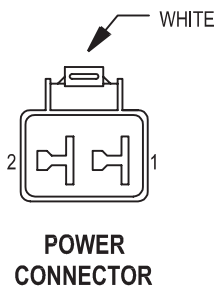
**POWER
AMPLIFIER - C1**

CAV	CIRCUIT	FUNCTION
1	-	-
2	F60 16RD/WT	FUSED B(+)
3	Z1 16BK	GROUND
4	-	-
5	X58 18DB/OR	RIGHT REAR SPEAKER (-)
6	X57 18DG/WT	LEFT REAR SPEAKER (-)
7	X56 18DB/PK	RIGHT FRONT SPEAKER (-)
8	X55 18BR/RD	LEFT FRONT SPEAKER (-)
9	-	-
10	F60 16RD/WT	FUSED B(+)
11	Z1 16BK	GROUND
12	-	-
13	X64 18BR/WT	ENABLE SIGNAL TO AMPLIFIER
14	-	-
15	X52 18DB/WT	RIGHT REAR SPEAKER (+)
16	X51 18WT/DG	LEFT REAR SPEAKER (+)
17	X54 18VT	RIGHT FRONT SPEAKER (+)
18	X53 18DG/OR	LEFT FRONT SPEAKER (+)

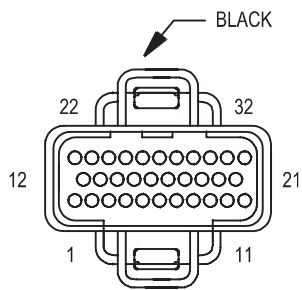
●● LHD
● RHD



CAV	CIRCUIT	FUNCTION
1	X90 18WT/VT	RIGHT REAR DOOR SPEAKER (+)
2	X92 18TN/DG	RIGHT REAR DOOR SPEAKER (-)
3	X85 18LG/DG	LEFT FRONT DOOR SPEAKER (-)
4	X83 18YL/RD	LEFT INSTRUMENT PANEL SPEAKER (+)
5	X84 18OR/GY	RIGHT INSTRUMENT PANEL SPEAKER (-)
6	X93 18DG/WT	LEFT REAR DOOR SPEAKER (+)
7	X91 18WT/DG	LEFT REAR DOOR SPEAKER (-)
8	X87 18LG/RD	LEFT FRONT DOOR SPEAKER (+)
9	X80 18LB/BK	RIGHT FRONT DOOR SPEAKER (-)
10	X82 18LB/RD	RIGHT FRONT DOOR SPEAKER (+)
11	X81 18YL/BK	LEFT INSTRUMENT PANEL SPEAKER (-)
12	X86 18OR/RD	RIGHT INSTRUMENT PANEL SPEAKER (+)

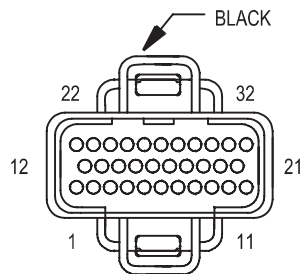


CAV	CIRCUIT	FUNCTION
1	A148 16VT	FUSED B (+)
2	Z1 16BK	GROUND



**POWERTRAIN
CONTROL
MODULE - C1
(DIESEL)**

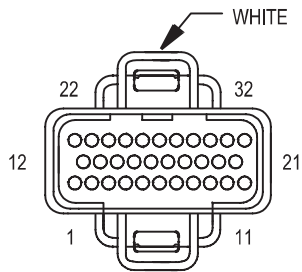
CAV	CIRCUIT	FUNCTION
1	-	-
2	A142 14DG/OR	AUTOMATIC SHUT DOWN RELAY OUTPUT
3	-	-
4	K4 18BK/LB	SENSOR GROUND
5	-	-
6	-	-
7	-	-
8	K159 18GY	ENGINE SPEED SENSOR SIGNAL
9	-	-
10	-	-
11	-	-
12	-	-
13	-	-
14	-	-
15	-	-
16	K222 18TN/RD	SECONDARY ENGINE COOLANT TEMPERATURE SENSOR SIGNAL
17	K7 18OR	5V SUPPLY
18	G8 18LB/BK	FUEL MONITOR OUTPUT SIGNAL
19	-	-
20	-	-
21	-	-
22	A14 16RD/WT	FUSED B(+)
23	K101 18WT	THROTTLE POSITION SENSOR OUTPUT
24	-	-
25	-	-
26	-	-
27	G123 18DG/WT	WATER IN FUEL SENSE
28	-	-
29	-	-
30	-	-
31	Z12 14BK/TN	GROUND
32	Z12 14BK/TN	GROUND



**POWERTRAIN
CONTROL
MODULE - C1
(GAS)**

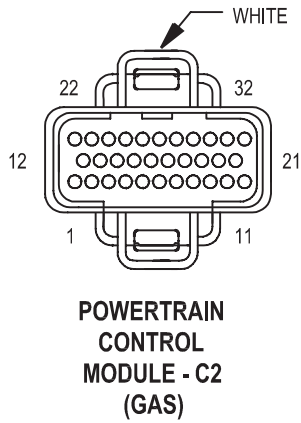
CAV	CIRCUIT	FUNCTION
1	K93 16TN/OR •	COIL DRIVER NO. 3
1	K93 14TN/OR ••	COIL DRIVER NO. 3
2	F991 18OR/DB	FUSED IGNITION SWITCH OUTPUT (ST-RUN)
3	K94 14TN/LG ••	COIL DRIVER NO. 4
4	K4 18BK/LB	SENSOR GROUND
5	K96 14TN/LB ••	COIL DRIVER NO. 6
6	T24 18BR/YL	ENGINE STARTER MOTOR RELAY CONTROL
7	K91 16TN/RD •	COIL DRIVER NO. 1
7	K91 14TN/RD ••	COIL DRIVER NO. 1
8	K24 18GY/BK	CRANKSHAFT POSITION SENSOR SIGNAL
9	K98 14LB/RD ••	COIL DRIVER NO. 8
10	K60 18YL/BK	IDLE AIR CONTROL NO. 2 DRIVER
11	K40 18BR/WT	IDLE AIR CONTROL NO. 3 DRIVER
12	-	-
13	-	-
14	-	-
15	K21 18BK/RD	INTAKE AIR TEMPERATURE SENSOR SIGNAL
16	K2 18TN/BK	ENGINE COOLANT TEMPERATURE SENSOR SIGNAL
17	K7 18OR	5V SUPPLY
18	K44 18TN/YL	CAMSHAFT POSITION SENSOR SIGNAL
19	K39 18GY/RD •	IDLE AIR CONTROL NO. 1 DRIVER
19	K39 18GY/BK ••	IDLE AIR CONTROL NO. 1 DRIVER
20	K59 18VT/BK	IDLE AIR CONTROL NO. 4 DRIVER
21	K95 14TN/DG ••	COIL DRIVER NO. 5
22	A7 14RD/BK	FUSED B(+)
23	K22 18OR/RD	THROTTLE POSITION SENSOR SIGNAL
24	K241 18LG/RD	OXYGEN SENSOR 1/1 SIGNAL
25	K41 18BK/DG	OXYGEN SENSOR 1/2 SIGNAL
26	K141 18TN/WT	OXYGEN SENSOR 2/1 SIGNAL
27	K1 18DG/RD	MAP SENSOR SIGNAL
28	-	-
29	K341 18PK/WT	OXYGEN SENSOR 2/2 SIGNAL
30	-	-
31	Z11 14BK/WT	GROUND
32	Z12 14BK/TN	GROUND

•• 4.7L
• 4.0L



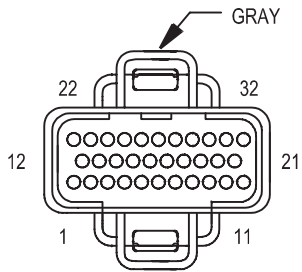
**POWERTRAIN
CONTROL
MODULE - C2
(DIESEL)**

CAV	CIRCUIT	FUNCTION
1	T54 18VT	TRANSMISSION TEMPERATURE SENSOR SIGNAL
2	-	-
3	-	-
4	-	-
5	-	-
6	-	-
7	-	-
8	K88 18PK	GOVERNOR PRESSURE SOLENOID CONTROL
9	-	-
10	K20 18DG	GENERATOR FIELD DRIVER
11	T22 18DG/LB	TORQUE CONVERTER CLUTCH SOLENOID CONTROL
12	-	-
13	-	-
14	-	-
15	-	-
16	-	-
17	C24 18DB/PK	RADIATOR FAN RELAY CONTROL
18	-	-
19	-	-
20	-	-
21	T121 18BK/RD	3-4 SHIFT SOLENOID CONTROL
22	-	-
23	G60 18GY/YL	ENGINE OIL PRESSURE SENSOR SIGNAL
24	-	-
25	T14 18LG/WT	OUTPUT SPEED SENSOR SIGNAL
26	-	-
27	G7 18WT/OR	VEHICLE SPEED SENSOR SIGNAL
28	T13 18DB/BK	SPEED SENSOR GROUND
29	T25 18LG	GOVERNOR PRESSURE SENSOR SIGNAL
30	K30 18PK/YL	TRANSMISSION CONTROL RELAY CONTROL
31	K6 18VT/WT	5V SUPPLY
32	-	-



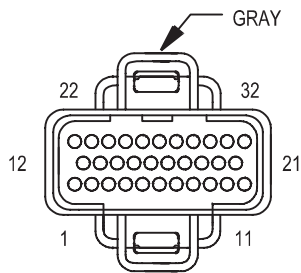
CAV	CIRCUIT	FUNCTION
1	T54 18VT •	TRANSMISSION TEMPERATURE SENSOR SIGNAL
2	K17 18DB/TN ••	FUEL INJECTOR NO. 7 DRIVER
3	-	-
4	K11 18WT/DB	FUEL INJECTOR NO. 1 DRIVER
5	K13 18YL/WT	FUEL INJECTOR NO. 3 DRIVER
6	K38 18GY	FUEL INJECTOR NO. 5 DRIVER
7	K97 14BR ••	COIL DRIVER NO. 7
8	K88 18PK •	GOVERNOR PRESSURE SOLENOID CONTROL
9	K92 16TN/PK •	COIL DRIVER NO. 2
9	K92 14TN/PK ••	COIL DRIVER NO. 2
10	K20 18DG	GENERATOR FIELD DRIVER
11	T22 18DG/LB •	TORQUE CONVERTER CLUTCH SOLENOID CONTROL
12	K58 18BR/DB	FUEL INJECTOR NO. 6 DRIVER
13	K18 18DB/GY ••	FUEL INJECTOR NO. 8 DRIVER
14	-	-
15	K12 18TN	FUEL INJECTOR NO. 2 DRIVER
16	K14 18LB/BR	FUEL INJECTOR NO. 4 DRIVER
17	C24 18DB/PK	RADIATOR FAN RELAY CONTROL
18	-	-
19	-	-
20	-	-
21	T121 18BR/WT •	3-4 SHIFT SOLENOID CONTROL
22	-	-
23	G60 18GY/YL	ENGINE OIL PRESSURE SENSOR SIGNAL
24	-	-
25	T13 18DB/BK •	SPEED SENSOR GROUND
26	-	-
27	G7 18WT/OR	VEHICLE SPEED SENSOR SIGNAL
28	T14 18LG/WT •	OUTPUT SPEED SENSOR SIGNAL
29	T25 18LG/RD •	GOVERNOR PRESSURE SENSOR SIGNAL
30	K30 18PK/YL •	TRANSMISSION CONTROL RELAY CONTROL
31	K6 18VT/WT	5V SUPPLY
32	-	-

• 4.0L
•• 4.7L



**POWERTRAIN
CONTROL
MODULE - C3
(DIESEL)**

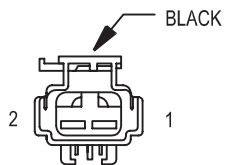
CAV	CIRCUIT	FUNCTION
1	C90 18LG	A/C SWITCH SENSE
2	-	-
3	-	-
4	V36 18TN/RD	SPEED CONTROL VACUUM SOLENOID CONTROL
5	V35 18LG/RD	SPEED CONTROL VENT SOLENOID CONTROL
6	-	-
7	-	-
8	-	-
9	-	-
10	-	-
11	V32 18OR/DG	SPEED CONTROL POWER SUPPLY
12	A142 14DG/OR	AUTOMATIC SHUT DOWN RELAY OUTPUT
13	T9 18OR/BK	OVERDRIVE OFF SWITCH SENSE
14	-	-
15	K25 18VT/LG	BATTERY TEMPERATURE SENSOR SIGNAL
16	G55 18OR/LG	ENGINE DISABLE SIGNAL
17	-	-
18	-	-
19	-	-
20	-	-
21	-	-
22	G3 18BK/PK	CHECK ENGINE INDICATOR DRIVER
23	K185 18OR/LB	WAIT TO START INDICATOR
24	K29 18WT/PK	BRAKE SWITCH SENSE
25	K125 18WT/DB	GENERATOR SOURCE
26	K226 18LB/YL	FUEL LEVEL SENSOR SIGNAL
27	D21 18PK	SCI TRANSMIT
28	-	-
29	D32 18LG/DG	SCI RECEIVE
30	D25 18YL/VT	PCI BUS
31	-	-
32	V37 18RD/LG	SPEED CONTROL SWITCH SIGNAL



**POWERTRAIN
CONTROL
MODULE - C3
(GAS)**

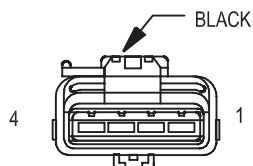
CAV	CIRCUIT	FUNCTION
1	C13 18DB/OR	A/C COMPRESSOR CLUTCH RELAY CONTROL
2	-	-
3	K51 18DB/YL	AUTOMATIC SHUT DOWN RELAY CONTROL
4	V36 18TN/RD	SPEED CONTROL VACUUM SOLENOID CONTROL
5	V35 18LG/RD	SPEED CONTROL VENT SOLENOID CONTROL
6	-	-
7	-	-
8	K151 18GY ●●	OXYGEN SENSOR UPSTREAM RELAY CONTROL
9	K251 18LB ●●	OXYGEN SENSOR DOWNSTREAM RELAY CONTROL
10	K106 18WT/DG ●	LEAK DETECTION PUMP SOLENOID CONTROL
11	V32 18OR/DG	SPEED CONTROL POWER SUPPLY
12	F42 18DG/LG	FUSED AUTOMATIC SHUT DOWN RELAY OUTPUT
13	T99 18OR/YL ■	TORQUE MANAGEMENT REQUEST SENSE
13	T99 18OR/YL ▲	OVERDRIVE OFF SWITCH SENSE
14	K107 18OR/PK ●	LEAK DETECTION PUMP SWITCH SENSE
15	K25 18VT/LG	BATTERY TEMPERATURE SENSOR SIGNAL
16	-	-
17	-	-
18	-	-
19	K31 18BR	FUEL PUMP RELAY CONTROL
20	K52 18PK/BK	DUTY CYCLE EVAP/PURGE SOLENOID CONTROL
21	-	-
22	C18 18DB	A/C PRESSURE SIGNAL
23	-	-
24	K29 18WT/PK	BRAKE SWITCH SENSE
25	K21 18LB/RD	GENERATOR SOURCE
26	K226 18LB/YL	FUEL LEVEL SENSOR SIGNAL
27	D21 18PK	SCI TRANSMIT
28	-	-
29	D32 18LG/DG	SCI RECEIVE
30	D25 18YL/VT	PCI BUS
31	-	-
32	V37 18RD/LG	SPEED CONTROL SWITCH SIGNAL

- ▲ 4.0L
- 4.7L
- EXCEPT BUILT-UP-EXPORT
- CALIFORNIA



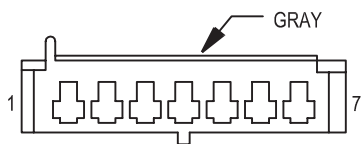
RADIATOR FAN MOTOR

CAV	CIRCUIT	FUNCTION
1	C23 12DG	RADIATOR FAN RELAY OUTPUT
2	Z4 12BK/PK	GROUND



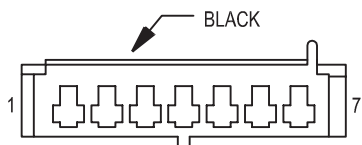
RADIATOR FAN RELAY

CAV	CIRCUIT	FUNCTION
1	Z1 20BK	GROUND
2	C24 20DB/PK	RADIATOR FAN RELAY CONTROL
3	C23 12DG	RADIATOR FAN RELAY OUTPUT
4	A16 12GY	FUSED B(+)



RADIO - C1

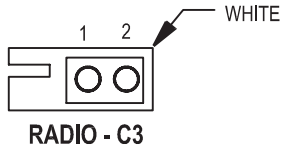
CAV	CIRCUIT	FUNCTION
1	-	-
2	X55 18BR/RD	LEFT FRONT SPEAKER (-)
3	X56 18DB/PK ▲▲	RIGHT FRONT SPEAKER (-)
3	X56 18DB/RD ▲	RIGHT FRONT SPEAKER (-)
4	L7 18BK/YL	PARK LAMP RELAY OUTPUT
5	E2 20OR	PANEL LAMPS DRIVER
6	X12 16WT/RD ▲▲	FUSED IGNITION SWITCH OUTPUT (RUN-ACC)
6	X12 18RD/WT ▲	FUSED IGNITION SWITCH OUTPUT (RUN-ACC)
7	F60 16RD/WT	FUSED B(+)



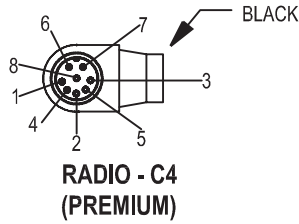
RADIO - C2

CAV	CIRCUIT	FUNCTION
1	X64 18BR/WT	ENABLE SIGNAL TO AMPLIFIER
2	X51 18WT/DG ▲▲	LEFT REAR SPEAKER (+)
2	X51 18BR/YL ▲	LEFT REAR SPEAKER (+)
3	X52 18DB/WT	RIGHT REAR SPEAKER (+)
4	X53 18DG/OR	LEFT FRONT SPEAKER (+)
5	X54 18VT	RIGHT FRONT SPEAKER (+)
6	X57 18DG/WT ▲▲	LEFT REAR SPEAKER (-)
6	X57 18BR/LB ▲	LEFT REAR SPEAKER (-)
7	X58 18DB/OR	RIGHT REAR SPEAKER (-)

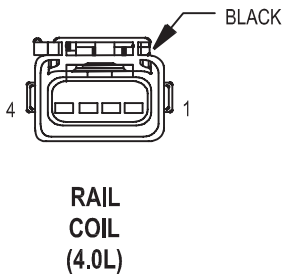
▲ RHD
 ▲▲ LHD



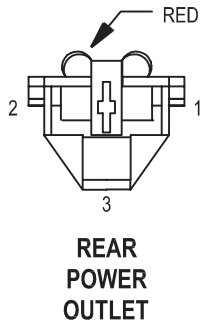
CAV	CIRCUIT	FUNCTION
1	D25 18YL/VT/DB	PCI BUS
2	-	-



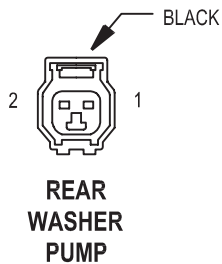
CAV	CIRCUIT	FUNCTION
1	-	-
2	X40 22WT/RD	AUDIO OUT RIGHT
3	-	-
4	Z4 22WT/BK	GROUND
5	X41 22WT/DG	AUDIO OUT LEFT
6	X160 22YL	B(+)
7	X112 22RD	IGNITION SWITCH OUTPUT
8	Z17 22BK	GROUND



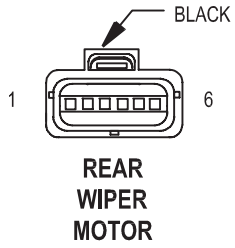
CAV	CIRCUIT	FUNCTION
1	K91 16TN/RD	COIL DRIVER NO. 1
2	A142 16DG/OR	AUTOMATIC SHUT DOWN RELAY OUTPUT
3	K92 16TN/PK	COIL DRIVER NO. 2
4	K93 16TN/OR	COIL DRIVER NO. 3



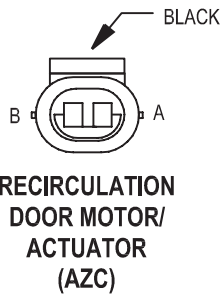
CAV	CIRCUIT	FUNCTION
1	A148 16VT	FUSED B(+)
2	-	-
3	Z1 16BK	GROUND



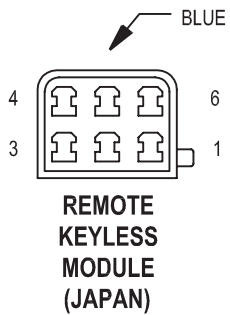
CAV	CIRCUIT	FUNCTION
1	Z1 18BK	GROUND
2	V20 18BK/WT	REAR WASHER MOTOR CONTROL



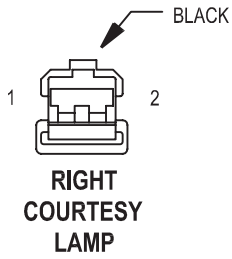
CAV	CIRCUIT	FUNCTION
1	Z1 18BK	GROUND
2	V13 18BR/LG	REAR WIPER MOTOR CONTROL
3	G80 20VT/YL	LIFTGATE FLIP-UP AJAR SWITCH SENSE
4	V22 18BR/YL	REAR WASHER SWITCH OUTPUT
5	F70 18PK	FUSED B(+)
6	-	-



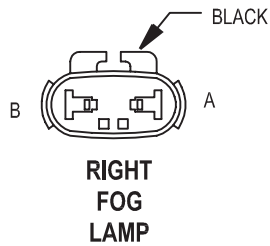
CAV	CIRCUIT	FUNCTION
A	C100 20LB/DG	RECIRCULATION DOOR DRIVER (B)
B	C32 20VT/OR	RECIRCULATION DOOR DRIVER (A)



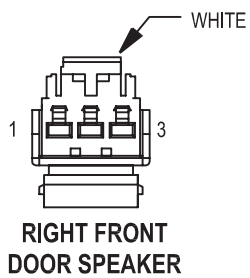
CAV	CIRCUIT	FUNCTION
1	K25 20RD/GY	ANTENNA SIGNAL
2	K25 20RD/GY	ANTENNA SIGNAL
3	M1 18PK	FUSED B(+)
4	Z1 18BK	GROUND
5	D30 20VT/YL	DIAGNOSTIC OUT
6	D30 20VT/YL	DIAGNOSTIC OUT



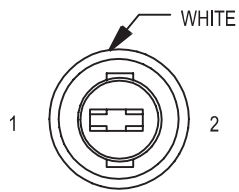
CAV	CIRCUIT	FUNCTION
1	F70 20PK/BK	FUSED B (+)
2	M2 20YL	COURTESY LAMP DRIVER



CAV	CIRCUIT	FUNCTION
A	L39 20LB	FOG LAMP RELAY OUTPUT
B	Z1 20BK	GROUND

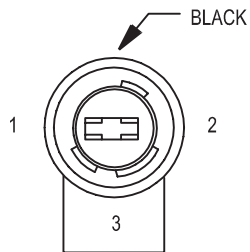


CAV	CIRCUIT	FUNCTION
1	X80 18LB/BK	RIGHT FRONT DOOR SPEAKER (-)
2	-	-
3	X82 18LB/RD	RIGHT FRONT DOOR SPEAKER (+)



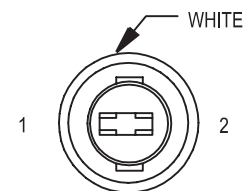
RIGHT FRONT PARK LAMP

CAV	CIRCUIT	FUNCTION
1	Z1 18BK	GROUND
2	L7 20BK/PK	PARK LAMP RELAY OUTPUT



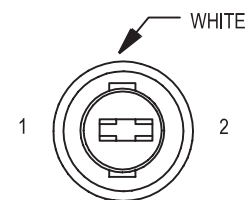
RIGHT FRONT PARK/TURN SIGNAL LAMP (EXCEPT BUILT-UP-EXPORT)

CAV	CIRCUIT	FUNCTION
1	L7 20BK/PK	PARK LAMP RELAY OUTPUT
2	Z1 18BK	GROUND
3	L60 20TN	RIGHT TURN SIGNAL



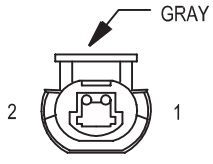
RIGHT FRONT SIDE MARKER LAMP (EXCEPT BUILT-UP-EXPORT)

CAV	CIRCUIT	FUNCTION
1	L7 20BK/PK	PARK LAMP RELAY OUTPUT
2	L60 20TN	RIGHT TURN SIGNAL



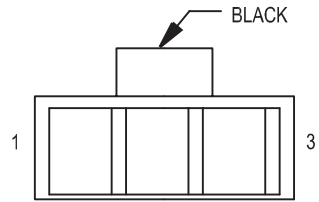
RIGHT FRONT TURN SIGNAL LAMP (BUILT-UP-EXPORT)

CAV	CIRCUIT	FUNCTION
1	L60 20TN	RIGHT TURN SIGNAL
2	Z1 18BK	GROUND



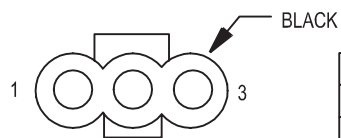
**RIGHT FRONT
WHEEL SPEED
SENSOR**

CAV	CIRCUIT	FUNCTION
1	B6 18WT/DB	RIGHT FRONT WHEEL SPEED SENSOR 12V SUPPLY
2	B7 18WT	RIGHT FRONT WHEEL SPEED SENSOR SIGNAL



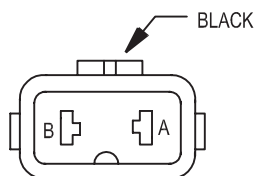
**RIGHT HANDLE
COURTESY LAMP
SWITCH**

CAV	CIRCUIT	FUNCTION
1	M20 20YL/BK	COURTESY LAMP LOAD SHED
2	Q41 20WT	SWITCHED COURTESY LAMP DRIVER
3	M2 20YL/DG	COURTESY LAMP DRIVER



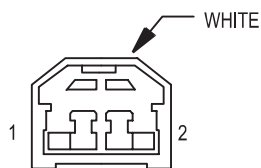
**RIGHT HEADLAMP
LEVELING MOTOR
(BUILT-UP-EXPORT)**

CAV	CIRCUIT	FUNCTION
1	Z1 18BK	GROUND
2	L114 18VT/DB	HEADLAMP ADJUST SIGNAL
3	L7 20BK/PK	PARK LAMP RELAY OUTPUT



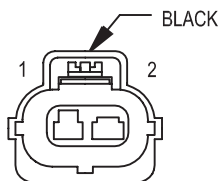
**RIGHT HIGH BEAM
HEADLAMP**

CAV	CIRCUIT	FUNCTION
A	Z1 18BK	GROUND
B	L34 18RD/OR	FUSED RIGHT HIGH BEAM OUTPUT



**RIGHT
INSTRUMENT
PANEL
SPEAKER**

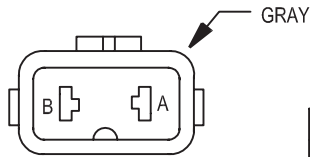
CAV	CIRCUIT	FUNCTION
1	X86 18OR/RD ▲▲	RIGHT INSTRUMENT PANEL SPEAKER (+)
1	X84 18OR/GY ▲	RIGHT INSTRUMENT PANEL SPEAKER (-)
2	X84 18OR/GY ▲▲	RIGHT INSTRUMENT PANEL SPEAKER (-)
2	X86 18OR/RD ▲	RIGHT INSTRUMENT PANEL SPEAKER (+)



**RIGHT
LIFTGATE
AJAR SWITCH**

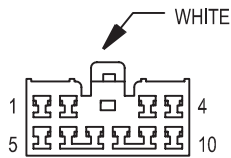
CAV	CIRCUIT	FUNCTION
1	Z1 20BK	GROUND
2	G78 20TN/BK	LIFTGATE AJAR SWITCH SENSE

▲▲ LHD
▲ RHD



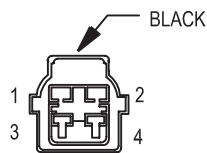
RIGHT LOW BEAM HEADLAMP

CAV	CIRCUIT	FUNCTION
A	Z1 18BK	GROUND
B	L44 18VT/RD	FUSED RIGHT LOW BEAM OUTPUT



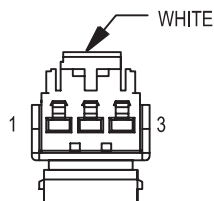
RIGHT MULTI-FUNCTION SWITCH

CAV	CIRCUIT	FUNCTION
1	V23 20BR/PK	FUSED IGNITION SWITCH OUTPUT (RUN-ACC)
2	V20 18BK/WT	REAR WASHER MOTOR CONTROL
3	V10 20BR	WASHER PUMP SWITCH SENSE
4	-	-
5	V13 18BR/LG	REAR WIPER MOTOR CONTROL
6	V22 18BR/YL	REAR WIPER MOTOR INTERMITTENT CONTROL
7	V59 22DB/YL	WINDSHIELD WIPER SWITCH RETURN
8	V52 22DG/RD	WINDSHIELD WIPER SWITCH MUX
9	V16 22VT ▲▲	WIPER HIGH/LOW RELAY CONTROL
9	V16 22YL ▲	WIPER HIGH/LOW RELAY CONTROL
10	-	-



RIGHT REAR DOOR LOCK MOTOR/AJAR SWITCH

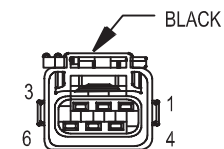
CAV	CIRCUIT	FUNCTION
1	G76 18TN/YL	DOOR AJAR SWITCH SENSE
2	Z1 18BK	GROUND
3	P36 18PK/VT	DOOR UNLOCK DRIVER
4	P35 18OR/VT	DOOR LOCK DRIVER



RIGHT REAR DOOR SPEAKER

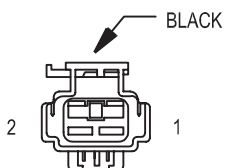
CAV	CIRCUIT	FUNCTION
1	X90 18WT/VT	RIGHT REAR DOOR SPEAKER (+)
2	-	-
3	X92 18TN/DG	RIGHT REAR DOOR SPEAKER (-)

- ▲ RHD
- ▲▲ LHD
- BUILT-UP-EXPORT



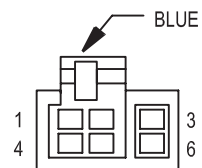
RIGHT REAR LAMP ASSEMBLY

CAV	CIRCUIT	FUNCTION
1	L1 18VT/BK	BACK-UP LAMP FEED
2	L95 18DG/YL ■	REAR FOG LAMP RELAY OUTPUT
3	L7 18BK/YL	PARK LAMP RELAY OUTPUT
4	L62 18BR/RD	RIGHT TURN SIGNAL
5	Z1 18BK	GROUND
6	L50 18WT/TN	BRAKE LAMP SWITCH OUTPUT



RIGHT REAR POWER WINDOW MOTOR

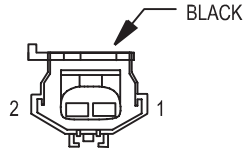
CAV	CIRCUIT	FUNCTION
1	Q124 16DG/WT	WINDOW DRIVER DOWN
2	Q114 16GY/WT	WINDOW DRIVER UP



RIGHT REAR POWER WINDOW SWITCH

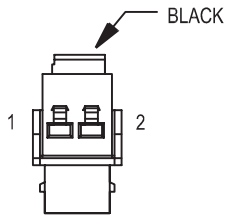
CAV	CIRCUIT	FUNCTION
1	Q14 16GY	PASSENGER REAR WINDOW DRIVER UP
2	Q114 16GY/WT	WINDOW DRIVER UP
3	E20 20OR/DB	DOOR SWITCH ILLUMINATION
4	Q24 16DG	PASSENGER REAR WINDOW DRIVER DOWN
5	Q124 16DG/WT	WINDOW DRIVER DOWN
6	Z1 16BK	GROUND

■ BUILT-UP-EXPORT



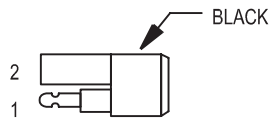
**RIGHT REAR
WHEEL SPEED
SENSOR**

CAV	CIRCUIT	FUNCTION
1	B1 18YL/DB	RIGHT REAR WHEEL SPEED SENSOR 12V SUPPLY
2	B2 18YL	RIGHT REAR WHEEL SPEED SENSOR SIGNAL



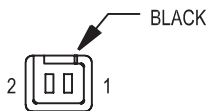
**RIGHT REMOTE
RADIO SWITCH**

CAV	CIRCUIT	FUNCTION
1	X10 20RD/BK	RADIO CONTROL MUX RETURN
2	X20 20RD/YL	RADIO CONTROL MUX



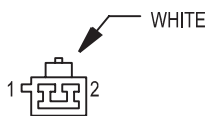
**RIGHT SIDE
REPEATER**

CAV	CIRCUIT	FUNCTION
1	Z1 18BK	GROUND
2	L60 18TN	RIGHT TURN SIGNAL



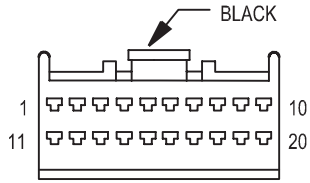
**RIGHT VISOR/
VANITY LAMP**

CAV	CIRCUIT	FUNCTION
1	F70 20PK	FUSED B(+)
2	M20 20YL/BK	COURTESY LAMP LOAD SHED



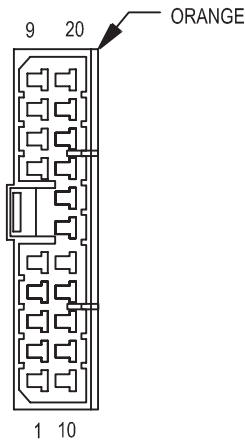
**SEAT
BELT
SWITCH**

CAV	CIRCUIT	FUNCTION
1	G10 20LG/RD	SEAT BELT SWITCH SENSE
2	Z1 20BK	GROUND



**SEAT
MODULE - C1
(PREMIUM)**

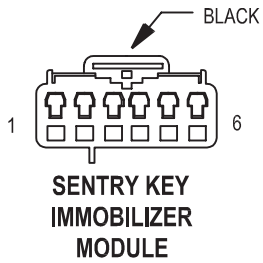
CAV	CIRCUIT	FUNCTION
1	P15 20YL/LB ●●	DRIVER SEAT HORIZONTAL FORWARD DRIVER
2	-	-
3	P11 20YL/WT ●●	DRIVER SEAT REAR UP DRIVER
4	P43 20GY/LB ●●	RECLINER UP SWITCH SENSE
5	P19 20YL/LG ●●	SEAT FRONT UP SWITCH SENSE
6	P86 20DG/YL ●	PASSENGER SEAT TEMPERATURE SENSOR INPUT
7	P27 20LB/RD ●●	REAR RISER POSITION SIGNAL
8	P25 20VT/RD ●●	SEAT HORIZONTAL POSITION SIGNAL
9	P135 20LB/BK ●	DRIVER SEAT TEMPERATURE SENSOR INPUT
10	P28 20BR/RD ●●	SEAT POSITION SENSOR GROUND
11	P41 20GY/WT ●●	RECLINER DOWN SWITCH SENSE
12	P17 20RD/YL ●●	DRIVER SEAT HORIZONTAL REARWARD DRIVER
13	-	-
14	P21 20RD/LG ●●	SEAT FRONT DOWN SWITCH SENSE
15	P13 20RD/WT ●●	DRIVER SEAT REAR DOWN DRIVER
16	P47 20LB ●●	RECLINER POSITION SIGNAL
17	P26 20BR ●●	FRONT RISER POSITION SIGNAL
18	P29 20BR/WT	SEAT SENSOR 5V SUPPLY
19	Z2 20BK/OR	GROUND
20	D25 20YL/VT	PCI BUS



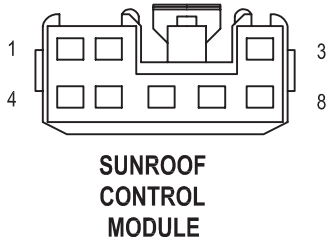
**SEAT
MODULE - C2
(PREMIUM)**

CAV	CIRCUIT	FUNCTION
1	F35 16RD	FUSED B(+)
2	P131 16BK/OR ●	DRIVER SEAT HEATER B(+) DRIVER
3	Z1 16BK	GROUND
4	P119 16YL/RD ●●	SEAT FRONT UP DRIVER
5	P121 16RD/GY ●●	SEAT FRONT DOWN DRIVER
6	P111 16YL/DB ●●	SEAT REAR UP DRIVER
7	P113 16RD/BK ●●	SEAT REAR DOWN DRIVER
8	-	-
9	P115 16GY/LG ●●	SEAT HORIZONTAL FORWARD DRIVER
10	F35 16RD	FUSED B(+)
11	P130 16DG/WT ●	PASSENGER SEAT HEATER B(+) DRIVER
12	Z1 16BK	GROUND
13	-	-
14	P9 20RD/LB ●●	SEAT SWITCH B (+) SUPPLY
15	Z6 16BK/YL ●	DRIVER SEAT HEATER GROUND
16	Z5 16BK/VT ●	PASSENGER SEAT HEATER GROUND
17	-	-
18	P141 16GY/WT ●●	SEAT RECLINER DOWN DRIVER
19	P143 16GY/LB ●●	SEAT RECLINER UP DRIVER
20	P117 16RD/BR ●●	SEAT HORIZONTAL REARWARD DRIVER

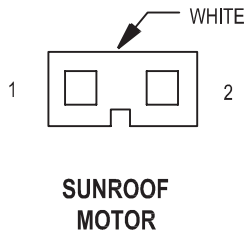
● PREMIUM I/III
●● PREMIUM II/III



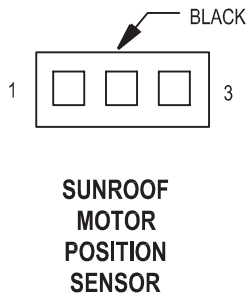
CAV	CIRCUIT	FUNCTION
1	M1 20PK	FUSED B (+)
2	Z2 20BK/OR	GROUND
3	G5 20DB/WT	FUSED IGNITION SWITCH OUTPUT (ST-RUN)
4	-	-
5	D25 20YL/VT/BK	PCI BUS
6	-	-



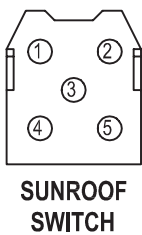
CAV	CIRCUIT	FUNCTION
1	Q30 16TN	SUNROOF DELAY RELAY OUTPUT
2	-	-
3	Q43 20VT	POWER SUNROOF VENT
4	Q41 20WT	POWER SUNROOF OPEN
5	-	-
6	-	-
7	Z1 16BK	GROUND
8	-	-



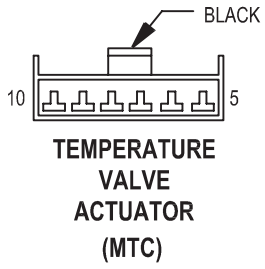
CAV	CIRCUIT	FUNCTION
1	Q5 16WT	SUNROOF MOTOR B(+)
2	Q6 16DB	SUNROOF MOTOR B(-)



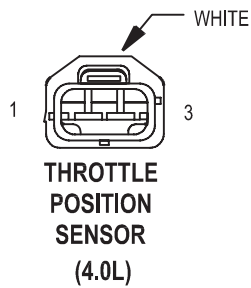
CAV	CIRCUIT	FUNCTION
1	Z1 20BK	GROUND
2	Q46 20OR/WT	SUNROOF MOTOR POSITION SENSOR SIGNAL
3	-	-



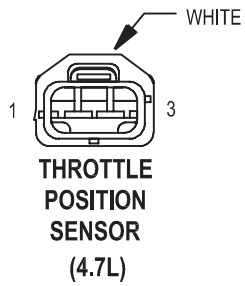
CAV	CIRCUIT	FUNCTION
1	Q43 20VT	POWER SUNROOF VENT
2	-	-
3	Z1 20BK	GROUND
4	-	-
5	Q41 20WT	POWER SUNROOF OPEN



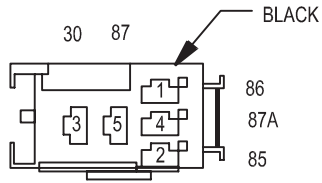
CAV	CIRCUIT	FUNCTION
5	-	-
6	-	-
7	Z2 20VT/WT	GROUND
8	C67 20DB/RD	BLEND AIR DOOR POSITION CONTROL
9	-	-
10	F22 20PK/DG	FUSED IGNITION SWITCH OUTPUT (RUN)



CAV	CIRCUIT	FUNCTION
1	K4 18BK/LB	SENSOR GROUND
2	K22 18OR/RD	THROTTLE POSITION SENSOR SIGNAL
3	K7 20OR	5V SUPPLY

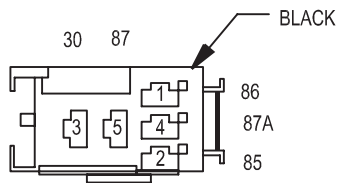


CAV	CIRCUIT	FUNCTION
1	K7 20OR	5V SUPPLY
2	K22 18OR/RD	THROTTLE POSITION SENSOR SIGNAL
3	K4 18BK/LB	SENSOR GROUND



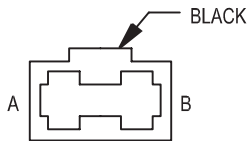
**TRAILER TOW
BRAKE LAMP RELAY
(BUILT-UP-EXPORT)**

CAV	CIRCUIT	FUNCTION
30 (3)	L50 16WT/TN	BRAKE LAMP SWITCH OUTPUT
85 (2)	L50 16WT/TN	BRAKE LAMP SWITCH OUTPUT
86 (1)	Z1 18BK	GROUND
87 (5)	L50 16WT/TN	BRAKE LAMP SWITCH OUTPUT
87A (4)	-	-



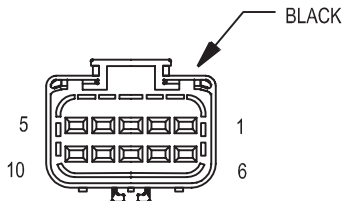
**TRAILER TOW
BRAKE LAMP RELAY
(EXCEPT BUILT-UP-EXPORT)**

CAV	CIRCUIT	FUNCTION
30 (3)	L50 16WT/TN	BRAKE LAMP SWITCH OUTPUT
85 (2)	L50 18WT/TN	BRAKE LAMP SWITCH OUTPUT
86 (1)	Z1 18BK	GROUND
87 (5)	L95 16DG/YL	TRAILER TOW BRAKE LAMP RELAY OUTPUT
87A (4)	L94 16OR/WT	TRAILER TOW BRAKE LAMP RELAY OUTPUT



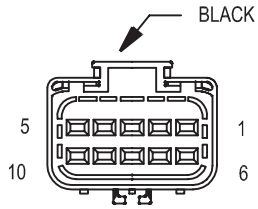
**TRAILER TOW
CIRCUIT BREAKER**

CAV	CIRCUIT	FUNCTION
A	F30 14RD	FUSED CIGAR LIGHTER RELAY OUTPUT
B	F30 14RD	CIGAR LIGHTER RELAY OUTPUT



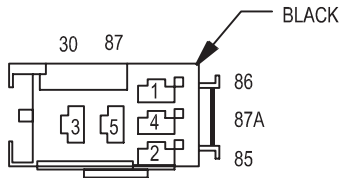
**TRAILER
TOW
CONNECTOR
(BUILT-UP-EXPORT)**

CAV	CIRCUIT	FUNCTION
1	L50 16WT/TN	BRAKE LAMP SWITCH OUTPUT
2	L62 16BR/RD	RIGHT TURN SIGNAL
3	L1 18VT/BK	BACK-UP LAMP FEED
4	F30 14RD	FUSED CIGAR LIGHTER RELAY OUTPUT
5	L7 18BK/YL	PARK LAMP RELAY OUTPUT
6	L95 18DG/YL	REAR FOG LAMP RELAY OUTPUT
7	B40 14LB	TRAILER TOW BRAKE B(+)
8	Z1 14BK	GROUND
9	Z1 14BK	GROUND
10	L63 16DG/RD	LEFT TURN SIGNAL



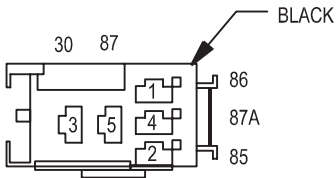
TRAILER TOW CONNECTOR (EXCEPT BUILT-UP-EXPORT)

CAV	CIRCUIT	FUNCTION
1	-	-
2	L62 16BR/RD	RIGHT TURN SIGNAL
3	L1 18VT/BK	BACK-UP LAMP FEED
4	F30 14RD	FUSED CIGAR LIGHTER RELAY OUTPUT
5	L7 18BK/YL	PARK LAMP RELAY OUTPUT
6	-	-
7	B40 14LB	TRAILER TOW BRAKE B(+)
8	Z1 14BK	GROUND
9	Z1 14BK	GROUND
10	L63 16DG/RD	LEFT TURN SIGNAL



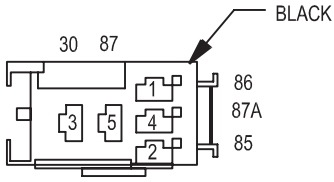
TRAILER TOW LEFT TURN RELAY (BUILT-UP-EXPORT)

CAV	CIRCUIT	FUNCTION
30 (3)	L50 16WT/TN	BRAKE LAMP SWITCH OUTPUT
85 (2)	L63 20DG/RD	LEFT TURN SIGNAL
86 (1)	Z1 18BK	GROUND
87 (5)	L63 16DG/RD	LEFT TURN SIGNAL
87A (4)	-	-



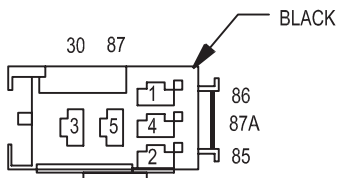
TRAILER TOW LEFT TURN RELAY (EXCEPT BUILT-UP-EXPORT)

CAV	CIRCUIT	FUNCTION
30 (3)	L63 16DG/RD	LEFT TURN SIGNAL
85 (2)	L63 20DG/RD	LEFT TURN SIGNAL
86 (1)	Z1 18BK	GROUND
87 (5)	L94 16OR/WT	TRAILER TOW BRAKE LAMP RELAY OUTPUT
87A (4)	L95 16DG/YL	TRAILER TOW BRAKE LAMP RELAY OUTPUT



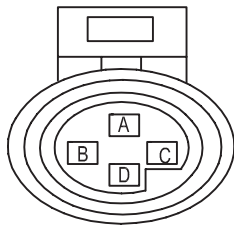
**TRAILER TOW
RIGHT TURN RELAY
(BUILT-UP-EXPORT)**

CAV	CIRCUIT	FUNCTION
30 (3)	L50 16WT/TN	BRAKE LAMP SWITCH OUTPUT
85 (2)	L62 20BR/RD	RIGHT TURN SIGNAL
86 (1)	Z1 18BK	GROUND
87 (5)	L62 16BR/RD	RIGHT TURN SIGNAL
87A (4)	-	-



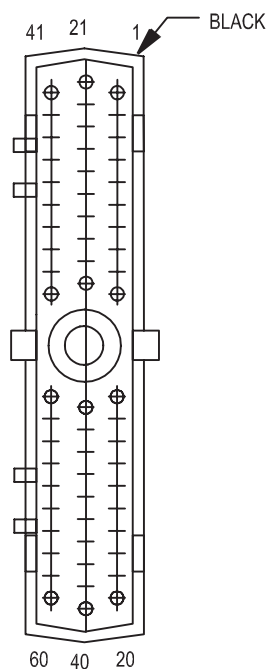
**TRAILER TOW
RIGHT TURN RELAY
(EXCEPT BUILT-UP-EXPORT)**

CAV	CIRCUIT	FUNCTION
30 (3)	L62 16BR/RD	RIGHT TURN SIGNAL
85 (2)	L62 20BR/RD	RIGHT TURN SIGNAL
86 (1)	Z1 18BK	GROUND
87 (5)	L94 16OR/WT	TRAILER TOW BRAKE LAMP RELAY OUTPUT
87A (4)	L95 16DG/YL	TRAILER TOW BRAKE LAMP RELAY OUTPUT



**TRANSFER
CASE
SWITCH
(4.0L)
(EXCEPT BUILT-UP-EXPORT)**

CAV	CIRCUIT	FUNCTION
A	Z1 18BK	GROUND
B	T107 18BK	PART TIME 4 WHEEL DRIVE INDICATOR DRIVER
C	-	-
D	-	-



TRANSMISSION CONTROL MODULE (4.7L)

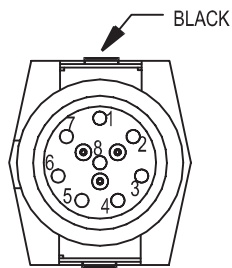
CAV	CIRCUIT	FUNCTION
1	T1 18LG/BK	TRS T1 SENSE
2	T2 18TN/BK	TRS T2 SENSE
3	T3 18VT	TRS T3 SENSE
4	-	-
5	-	-
6	K24 18GY/BK	CRANKSHAFT POSITION SENSOR SIGNAL
7	D21 20PK	SCI TRANSMIT
8	F45 18YL/RD	FUSED IGNITION SWITCH OUTPUT (ST)
9	T9 18OR/BK	OVERDRIVE PRESSURE SWITCH SENSE
10	T10 18YL/DG	TORQUE MANAGEMENT REQUEST SENSE
11	F991 18OR/DB	FUSED IGNITION SWITCH OUTPUT (ST-RUN)
12	K22 18OR/RD	THROTTLE POSITION SENSOR SIGNAL
13	T13 18DB/BK	SPEED SENSOR GROUND
14	T14 18LG/WT	OUTPUT SPEED SENSOR SIGNAL
15	K30 18PK/YL	TRANSMISSION CONTROL RELAY CONTROL
16	T16 14RD	TRANSMISSION CONTROL RELAY OUTPUT
17	T16 14RD	TRANSMISSION CONTROL RELAY OUTPUT
18	T118 18YL/DB	PRESSURE CONTROL SOLENOID CONTROL
19	T119 18WT/DB	2C SOLENOID CONTROL
20	T120 18LG	LR SOLENOID CONTROL
21	-	-
22	-	-
23	-	-
24	-	-
25	-	-
26	-	-
27	-	-
28	G7 18WT/OR	VEHICLE SPEED SENSOR SIGNAL
29	T29 18GY	UNDERDRIVE PRESSURE SWITCH SENSE
30	T130 14VT/TN	LINE PRESSURE SENSOR SIGNAL
31	-	-
32	-	-
33	-	-
34	-	-
35	-	-
36	T16 14RD	TRANSMISSION CONTROL RELAY OUTPUT
37	Z14 14BK/YL	GROUND
38	T138 14GY/LB	5V SUPPLY
39	Z14 14BK/YL	GROUND
40	T140 18VT/LG	MS SOLENOID CONTROL
41	T141 18WT	TRS T41 SENSE
42	T42 18VT/WT	TRS T42 SENSE
43	D25 18YL/VT	PCI BUS
44	-	-
45	-	-
46	D20 20LG	SCI RECEIVE
47	T147 18LB	2C PRESSURE SWITCH SENSE
48	T48 18DB	4C PRESSURE SWITCH SENSE
49	T6 18VT/WT	OVERDRIVE OFF SWITCH SENSE
50	T150 18BR/LB	LR PRESSURE SWITCH SENSE
51	K4 18BK/LB	SENSOR GROUND
52	T52 18RD/BK	INPUT SPEED SENSOR SIGNAL

(CONTINUED ON NEXT PAGE)

(CONTINUED)

**TRANSMISSION
CONTROL
MODULE
(4.7L)
(CONTINUED)**

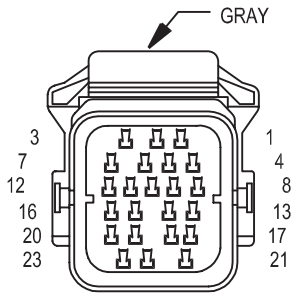
CAV	CIRCUIT	FUNCTION
53	Z13 14BK/RD	GROUND
54	T54 18VT	TRANSMISSION TEMPERATURE SENSOR SIGNAL
55	T59 18PK	UNDERDRIVE SOLENOID CONTROL
56	A30 14RD/WT	FUSED B(+)
57	Z14 14BK/YL	GROUND
58	-	-
59	T159 18DG/WT	4C SOLENIOD CONTROL
60	T60 18BR	OVERDRIVE SOLENOID CONTROL



**TRANSMISSION
SOLENOID
(DIESEL/4.0L GAS)**

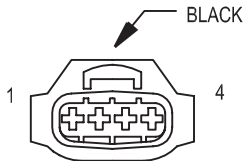
CAV	CIRCUIT	FUNCTION
1	T60 18BR ■	FUSED TRANSMISSION CONTROL RELAY OUTPUT
1	T60 18BR ●	TRANSMISSION CONTROL RELAY OUTPUT
2	K6 18VT/WT	5V SUPPLY
3	K4 18BK/LB	SENSOR GROUND
4	T25 18LG ●	GOVERNOR PRESSURE SENSOR SIGNAL
4	T25 18LG/RD ■	GOVERNOR PRESSURE SENSOR SIGNAL
5	K88 18PK	GOVERNOR PRESSURE SOLENOID CONTROL
6	T121 18BK/RD ●	3-4 SHIFT SOLENOID CONTROL
6	T121 18BR/WT ■	3-4 SHIFT SOLENOID CONTROL
7	T22 18DG/LB	TORQUE CONVERTER CLUTCH SOLENOID CONTROL
8	T54 18VT	TRANSMISSION TEMPERATURE SENSOR SIGNAL

- DIESEL
- 4.0L GAS



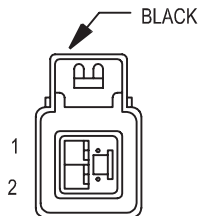
TRANSMISSION SOLENOID/TRS ASSEMBLY (4.7L)

CAV	CIRCUIT	FUNCTION
1	F22 18WT/TN	FUSED IGNITION SWITCH OUTPUT (RUN)
2	T120 18LG	LR SOLENOID CONTROL
3	T24 18BR/YL	ENGINE STARTER MOTOR RELAY CONTROL
4	T141 18WT	TRS T41 SENSE
5	T42 18VT/WT	TRS T42 SENSE
6	L1 18VT/BK	BACK-UP LAMP FEED
7	T60 18BR	OVERDRIVE SOLENOID CONTROL
8	T3 18VT	TRS T3 SENSE
9	T1 18LG/BK	TRS T1 SENSE
10	T16 14RD	TRANSMISSION CONTROL RELAY OUTPUT
11	T48 18DB	4C PRESSURE SWITCH SENSE
12	T118 18YL/DB	PRESSURE CONTROL SOLENOID CONTROL
13	T2 18TN/BK	TRS T2 SENSE
14	T150 18BR/LB	LR PRESSURE SWITCH SENSE
15	T147 18LB	2C PRESSURE SWITCH SENSE
16	T9 18OR/BK	OVERDRIVE PRESSURE SWITCH SENSE
17	T59 18PK	UNDERDRIVE SOLENOID CONTROL
18	T29 18GY	UNDERDRIVE PRESSURE SWITCH SENSE
19	T159 18DG/WT	4C SOLENOID CONTROL
20	T119 18WT/DB	2C SOLENOID CONTROL
21	T140 18VT/LG	MS SOLENOID CONTROL
22	T13 18DB/BK	SPEED SENSOR GROUND
23	T54 18VT	TRANSMISSION TEMPERATURE SENSOR SIGNAL



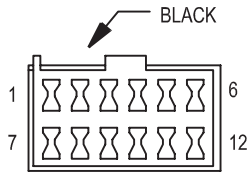
TURBO BOOST PRESSURE SENSOR (DIESEL)

CAV	CIRCUIT	FUNCTION
1	K121 18BK/VT	SENSOR GROUND
2	K21 18BK/RD	INTAKE AIR TEMPERATURE SENSOR SIGNAL
3	K70 18OR/WT	5V SUPPLY
4	K22 18OR/DB	BOOST PRESSURE SENSOR SIGNAL



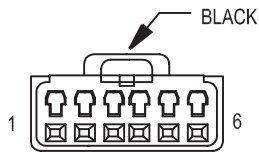
UNDERHOOD LAMP

CAV	CIRCUIT	FUNCTION
1	Z1 20BK	GROUND
2	M1 20PK/RD	FUSED B (+)



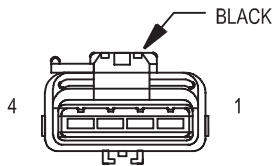
**UNITED KINGDOM
SECURITY SYSTEM
MODULE
(RHD)**

CAV	CIRCUIT	FUNCTION
1	F70 18PK/BK	FUSED B(+)
2	L91 20DB/PK	HAZARD SWITCH SENSE
3	G5 20DB/WT	FUSED IGNITION SWITCH OUTPUT (ST-RUN)
4	G69 20BK/OR	VTSS INDICATOR DRIVER
5	Y10 20VT/WT	-
6	Y11 20VT/OR	-
7	Y12 20VT/TN	-
8	Y13 20VT/PK	-
9	-	-
10	Z1 18BK	GROUND
11	-	-
12	D25 20YL/VT/TN	PCI BUS



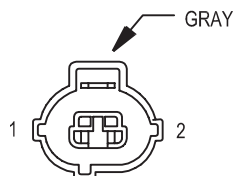
**VEHICLE
INFORMATION
CENTER**

CAV	CIRCUIT	FUNCTION
1	-	-
2	D25 20VT/YL	PCI BUS
3	F70 20PK	FUSED B(+)
4	Z2 20BK/OR	GROUND
5	G5 20DB/WT	FUSED IGNITION SWITCH OUTPUT (ST-RUN)
6	-	-



**VEHICLE
SPEED CONTROL
SERVO**

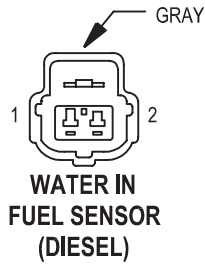
CAV	CIRCUIT	FUNCTION
1	V36 18TN/RD ●	SPEED CONTROL VACUUM SOLENOID CONTROL
1	V36 20TN/RD ●●	SPEED CONTROL VACUUM SOLENOID CONTROL
2	V35 18LG/RD ●	SPEED CONTROL VENT SOLENOID CONTROL
2	V35 20LG/RD ●●	SPEED CONTROL VENT SOLENOID CONTROL
3	V30 20DB/RD	SPEED CONTROL BRAKE SWITCH OUTPUT
4	Z1 20BK	GROUND



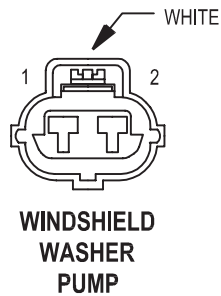
**WASHER
FLUID
LEVEL
SWITCH**

CAV	CIRCUIT	FUNCTION
1	V11 20BK/TN	WASHER FLUID SWITCH SENSE
2	Z1 20BK	GROUND

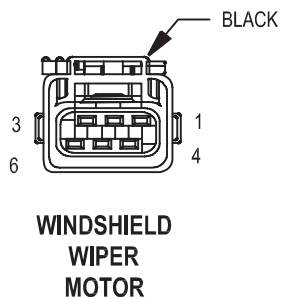
- LHD
- RHD



CAV	CIRCUIT	FUNCTION
1	G123 18DG/WT	WATER IN FUEL SENSE
2	K4 18BK/LB	SENSOR GROUND



CAV	CIRCUIT	FUNCTION
1	V10 20BR	WASHER PUMP SWITCH SENSE
2	Z1 20BK	GROUND



CAV	CIRCUIT	FUNCTION
1	V6 16DB	FUSED IGNITION SWITCH OUTPUT (RUN-ACC)
2	V55 16TN/RD	WIPER PARK SWITCH SENSE
3	-	-
4	Z1 16BK	GROUND
5	V3 16BR/WT	WIPER HIGH/LOW RELAY LOW SPEED OUTPUT
6	V4 16RD/YL	WIPER HIGH/LOW RELAY HIGH SPEED OUTPUT

8W-90 CONNECTOR LOCATIONS

DESCRIPTION AND OPERATION

INTRODUCTION

This section provides illustrations identifying component and connector locations in the vehicle. A connector index is provided. Use the wiring diagrams in

each section for connector number identification. Refer to the index for the proper figure number.

CONNECTOR/GROUND LOCATIONS

For items that are not shown in this section N/S is placed in the Fig. column.

Connector Name/Number	Color	Location	Fig.
A/C Compressor Clutch	BK	At A/C Compressor	6, 12
A/C High Pressure Switch	BK	Near Radiator Fan Motor	4
A/C Low Pressure Switch	GY	Right Rear of Engine Compartment	4
Accelerator Pedal Position Sensor (Diesel)	BK	Rear of Engine Compartment Near Fuel/Water Separator	19
Airbag Control Module	YL	Below Center Floor Console, Near Park Brake	20, 21, 22, 23
Ambient Temperature Sensor	BK	On Radiator Center Support	1, 4
Antenna Module	WT	Above Right Quarter Window	38
Ash Receiver Lamp	BK	Below Cigarette Lighter	20, 21
Automatic Day/Night Mirror	BK	In Front of Rear View Mirror	N/S
Automatic Headlamp Light Sensor/VTSS LED	BK	Near Left Instrument Panel Speaker	20, 21
Automatic Zone Control Module - C1	BK	Left Side of HVAC Housing	20, 21
Automatic Zone Control Module - C2	BK	Left Side of HVAC Housing	20, 21
Battery Temperature Sensor	BK	Below Battery Tray	4

Connector Name/Number	Color	Location	Fig.
Blower Motor	BK	Behind Right Hand Side of Instrument Panel	N/S
Blower Motor Controller (AZC)	BK	Behind Right Hand Side of Instrument Panel	N/S
Blower Motor Resistor Block (MTC)	BK	Behind Right Hand Side of Instrument Panel	N/S
Body Control Module - C1	GY	Lower Left Side of Instrument Panel	22, 23
Body Control Module-C2 -LHD	WT	Lower Left Side of Instrument Panel	22, 23
Body Control Module-C2 - RHD	GY	Lower Left Side of Instrument Panel	22, 23
Brake Lamp Switch	GY	Brake Pedal Arm	N/S
Brake Shift Interlock Solenoid	WT	Bottom of Steering Column	24
Brake Warning Indicator Switch	GY	At Master Cylinder	N/S
C100	BK	Right Front Engine Compartment	2, 4
C102	BK	Right Rear Engine Compartment	2, 4, 6, 9, 10, 13, 14, 17

DESCRIPTION AND OPERATION (Continued)

Connector Name/Number	Color	Location	Fig.
C103	GY	Right Rear Engine Compartment	6, 9, 10, 13, 14, 17
C104	BK	Right Rear Engine Compartment	9, 10, 13, 17
C105 (Diesel)	BK	Right Rear Engine Compartment	6
C106	BK	Driver Side Near Kick Panel	35, 37
C107 -LHD	BK	Passenger Side Near Kick Panel	3, 31
C107 - RHD	GY	Passenger Side Near Kick Panel	32, 36
C108	BK	Left Cowl	3
C109	BK	Near Transfer Case switch	N/S
C110 (Diesel)	GY	Top of Engine Near Glow Plugs	N/S
C111	BK	Left Front Frame Near Windshield Washer Pump	1, 3
C112	BK	Right Front Frame Near Horns	1, 4
C200 - LHD	GY	Passenger Side Near Kick Panel	20, 22, 35
C200 - RHD	BK	Passenger Side Near Kick Panel	21, 23, 36
C201	WT	Below Center Floor Console, Near Park Brake	20, 21, 22, 23
C202	WT	HVAC Unit, Right Side of Instrument Panel	20, 21, 22, 23
C203 (AZC)	WT	HVAC Unit, Right Side of Instrument Panel	20, 21, 22, 23

Connector Name/Number	Color	Location	Fig.
C300	GY	Near Junction Block	31, 34
C301	BK	Near Junction Block	32, 37
C302	BK	At Driver Door	25, 26, 31, 32
C303	WT	Right Rear Door	30, 31, 35, 37
C304	BK	Under Driver Seat	34, 37
C306	BK	Under Passenger Seat	35, 36
C307	WT	Left Rear Door	28, 32, 34, 36
C308	WT	Top of Liftgate	39
C309	WT	Left Rear Quarter Pillar	24
C310 (Built-Up-Export)	LT GY	Above Left Quarter Wheel Housing	38
C310 (Except Built-Up-Export)	LT GN	Above Left Quarter Wheel Housing	38
C311	WT	Top of Liftgate	39
C312		Center of Liftgate	39
C313	WT	In Driver Door	25, 26
C314	LT GY	At Passenger Door	27, 28
C315		To Rear of Right Quarter Window	33
Camshaft Position Sensor	GY	Right Side of Engine	9, 10, 13, 14
Capacitor NO. 1	BK	Right Side of Engine	13
Capacitor NO. 2	BK	Left Side of Engine	12
Cargo Lamp	WT	In Headliner Near Liftgate	N/S

DESCRIPTION AND OPERATION (Continued)

Connector Name/Number	Color	Location	Fig.
Center High Mounted Stop Lamp	BK	Top of Liftgate	39
Cigar Lighter	RD	Center of Instrument Panel	20, 21
Clockspring - C1	GY	At Steering Column	24
Clockspring - C2	BK	At Steering Column	24
Clockspring - C3	YL	At Steering Column	24
Coil On Plug NO. 1 (4.7L)	BK	Left Side of Engine Near Fuel Injector No.1	12
Coil On Plug NO. 2 (4.7L)	BK	Right Side of Engine Near Fuel Injector No.2	13, 1412
Coil On Plug NO. 3 (4.7L)	BK	Left Side of Engine Near Fuel Injector No.3	12
Coil On Plug NO. 4 (4.7L)	BK	Right Side of Engine Near Fuel Injector No.4	13, 14
Coil On Plug NO. 5 (4.7L)	BK	Left Side of Engine Near Fuel Injector No.5	12
Coil On Plug NO. 6 (4.7L)	BK	Right Side of Engine Near Fuel Injector No.6	13, 14
Coil On Plug NO. 7 (4.7L)	BK	Left Side of Engine Near Fuel Injector No.7	12
Coil On Plug NO. 8 (4.7L)	BK	Right Side of Engine Near Fuel Injector No.8	13, 14
Compact Disc Changer	BK	Right Rear Quarter Panel	38
Controller Anti-Lock Brake	BK	Left Front Engine Compartment	3

Connector Name/Number	Color	Location	Fig.
Coolant Level Sensor	LT GY	Right Rear of Engine	4
Crankshaft Position Sensor (Diesel)	BK	Rear of Engine Near Transmission Bell Housing	7
Crankshaft Position Sensor (Gas)	BK	Rear of Engine Near Transmission Bell Housing	9, 10, 13
Cruise Switch NO. 1	BK	On Steering Wheel	24
Cruise Switch NO. 2	BK	On Steering Wheel	24
Data Link Connector	BK	Under Lower Driver's Side of Instrument Panel	20, 21, 22, 23
Diagnostic Junction Port	WT	At Steering Column	24
Driver Blend Door Motor/Actuator (AZC)	BK	On HVAC Housing	N/S
Driver Door Courtesy Lamp	BK	In Driver Door	N/S
Driver Door Cylinder Lock Switch	GY	In Driver Door	25, 26
Driver Door Lock Motor/Ajar Switch	BK	In Driver Door	25, 26
Driver Door Module - C1	WT	In Driver Door	25, 26
Driver Door Module - C2	BK	In Driver Door	N/S
Driver Door Module - C3	BK	In Driver Door	N/S
Driver Heated Seat Back (Premium I/III)	GN	At Driver Seat	N/S
Driver Heated Seat Cushion (Premium I/III)	BK	At Driver Seat	N/S
Driver Heated Seat Switch	WT	Center of Instrument Panel	20, 21
Driver Lumbar Motor	BK	At Driver Seat	N/S

DESCRIPTION AND OPERATION (Continued)

Connector Name/Number	Color	Location	Fig.
Driver Lumbar Switch (Midline/Premium)	WT	At Driver Seat	N/S
Driver Power Mirror	BK	At Driver Door	N/S
Driver Power Seat Front Riser Motor	RD	At Driver Seat	N/S
Driver Power Seat Front Riser Motor Sensor (Premium II/III)	BK	At Driver Seat	N/S
Driver Power Seat Horizontal Motor	BK	At Driver Seat	N/S
Driver Power Seat Horizontal Motor Sensor (Premium II/III)	BK	At Driver Seat	N/S
Driver Power Seat Rear Riser Motor	RD	At Driver Seat	N/S
Driver Power Seat Rear Riser Motor Sensor (Premium II/III)	BK	At Driver Seat	N/S
Driver Power Seat Recliner Motor	BK	At Driver Seat	N/S
Driver Power Seat Recliner Motor Sensor (Premium II/III)	BK	At Driver Seat	N/S
Driver Power Seat Switch (Base)		At Driver Seat	N/S
Driver Power Seat Switch (Midline/Premium)	GN	At Driver Seat	N/S
Driver Power Window Motor	BK	In Driver Door	25, 26
Duty Cycle EVAP/Purge Solenoid (GAS)	BK	Left Front Fender Near Controller Anti-Lock Brake	3

Connector Name/Number	Color	Location	Fig.
EGR Solenoid (Diesel)	BK	Right Front Fender Near Power Distribution Center	N/S
Engine Control Module - C1 (Diesel)	GY	Under Rear Seat	19
Engine Control Module - C2 (Diesel)	GY	Under Rear Seat	19
Engine Coolant Temperature Sensor (GAS)	BK	Front of Engine	8, 12
Engine Coolant Temperature Sensor No.1 (Diesel)	BK	Top of Engine	6
Engine Coolant Temperature Sensor No.2 (Diesel)	BK	Top of Engine	6
Engine Oil Pressure Sensor	BK	Side of Engine	7, 9, 10, 12
Front Power Outlet	RD	Center of Instrument Panel	20, 21
Fuel Heater (Diesel)	BK	Rear of Engine Compartment at Bottom of Water/Fuel Separator	19
Fuel Injector No.1	BK	At Injector	8, 12
Fuel Injector No.2	BK	At Injector	8, 12
Fuel Injector No.3	BK	At Injector	8, 12
Fuel Injector No.4	BK	At Injector	8, 12
Fuel Injector No.5	BK	At Injector	8, 12
Fuel Injector No.6	BK	At Injector	8, 12
Fuel Injector No.7 (4.7L)	BK	At Injector	12
Fuel Injector No.8 (4.7L)	BK	At Injector	12

DESCRIPTION AND OPERATION (Continued)

Connector Name/Number	Color	Location	Fig.
Fuel Pump Module (Diesel)	BK	Left Side of Engine	6
Fuel Pump Module (Gas)	BK	Near Fuel Tank	34, 36
Fuel Sender Unit (Diesel)	BK	Near Fuel Tank	34, 36
G100 (4.0L)		Near Starter	N/S
G100 (4.7L)		Near Intake Plenum	N/S
G101		Near Battery	2
G102		Right Side of Engine	13, 14
G103		Right Side of Engine	9, 10, 13, 14
G104 (4.0L)		Right Rear of Engine	9, 10
G104 (4.7L)		Left Side of Engine	12
G105		Right Side of Engine	7
G106		Left Side of Engine Compartment	3
G107		Left Side of Engine Compartment	3
G108		Near Power Distribution Center	4
G200		Near Airbag Control Module	20, 21, 22, 23
G201		Near Airbag Control Module	20, 21, 22, 23
G300		Near Right Front Seat	35, 37
G301		Near Left Front Seat	34, 36
G-Switch	BK	Under Rear Seat	36
Generator (Diesel)	BK	At Generator	6

Connector Name/Number	Color	Location	Fig.
Generator (Gas)	BK	At Generator	N/S
Glove Box Lamp	BK	Inside Glove Box	20, 21
Headlamp Leveling Switch (Built-Up-Export)	WT	Driver Side of Instrument Panel	20, 21
Hood Ajar Switch	BK	Left Side of Engine Compartment	3
Horn No.1	BK	Right Front Fascia	4
Horn No.2	BK	Right Front Fascia	4
Idle Air Control Motor	BK	Left Side of Engine Near Throttle Body	8, 12
Ignition Switch - C1	WT	On Steering Column	24
Ignition Switch - C2	BK	On Steering Column	24
Input Speed Sensor (4.7L)	BK	Left Side of Transmission	15
Instrument Cluster	WT	At Instrument Cluster	20, 21
Intake Air Temperature Sensor	GY	Left Side of Engine	8, 12
Junction Block - C1	BK	At Junction Block	31, 32, 34
Junction Block - C2	BK	At Junction Block	31, 32
Junction Block - C3	BK	At Junction Block	22, 23
Junction Block - C4	WT	At Junction Block	31, 32
Junction Block - C5	WT	At Junction Block	31, 32
Leak Detection Pump (Except Built-Up-Export)		Left Front Wheel Opening	3
Left Courtesy Lamp	BK	Left Side of Instrument Panel	20, 23, 24
Left Fog Lamp	BK	Left Front Fascia	3

DESCRIPTION AND OPERATION (Continued)

Connector Name/Number	Color	Location	Fig.
Left Front Door Speaker	WT	In Left Front Door	25, 26
Left Front Park Lamp	WT	At Lamp	N/S
Left Front Park/Turn Signal Lamp (Except Built-Up-Export)	BK	At Lamp	N/S
Left Front Side Marker Lamp (Except Built-Up-Export)	WT	At Lamp	N/S
Left Front Turn Signal Lamp (Built-Up-Export)	WT	At Lamp	N/S
Left Front Wheel Speed Sensor	GY	At Left Front Wheel Opening	N/S
Left Handle Courtesy Lamp	BK	At Lamp	N/S
Left Headlamp Leveling Motor (Built-Up-Export)	BK	At Motor	N/S
Left High Beam Headlamp	BK	At Lamp	N/S
Left Instrument Panel Speaker	WT	At Speaker	20, 21
Left Liftgate Ajar Switch	BK	In Liftgate	39
Left Low Beam Headlamp	GY	At Lamp	N/S
Left Multi-Function Switch	WT	On Steering Column	24
Left Rear Door Lock Motor/Ajar Switch	BK	In Left Rear Door	29
Left Rear Door Speaker	WT	In Left Rear Door	29
Left Rear Lamp Assembly	BK	At Lamp Assembly	38
Left Rear Power Window Motor	BK	In Left Rear Door	29
Left Rear Power Window Switch	BL	In Left Rear Door	29
Left Rear Wheel Speed Sensor	GY	Near Left Rear Wheel	34, 36
Left Side Repeater (Built-Up-Export)	BK	On Left Front Fender	N/S

Connector Name/Number	Color	Location	Fig.
Left Visor/Vanity Lamp	BK	At Lamp	N/S
License Lamp No.1	BK	At Lamp	N/S
License Lamp No.2	BK	At Lamp	N/S
Liftgate Flip-Up Ajar Switch	GY	In Liftgate	39
Liftgate Flip-Up Push Button Switch	BK	In Liftgate	N/S
Liftgate Flip-Up Release Solenoid	BK	In Liftgate	39
Liftgate Lock Motor	BK	In Liftgate	39
Manifold Absolute Pressure Sensor (4.0L)	BK	At Throttle Body	8
Manifold Absolute Pressure Sensor (4.7L)	BK	Right Side of Engine	12
Manual Temperature Control - C1	WT	Center of Instrument Panel	20, 21
Manual Temperature Control - C2	WT	Center of Instrument Panel	20, 22
Mode Door Motor/Actuator (AZC)	BK	Right Center of Instrument Panel	N/S
Needle Movement sensor (Diesel)	BK	Left Rear of Engine	6
Output Speed Sensor (4.0L/Diesel)	GY	Left Side of Transmission	6, 11
Output Speed Sensor (4.7L)	BK	Left Side of Transmission	15
Overhead Map/Courtesy Lamp No.1		At Overhead Console	N/S
Overhead Map/Courtesy Lamp No.2		At Overhead Console	N/S
Overhead Map/Courtesy Lamp Switch No.1	BK	At Overhead Console	N/S

DESCRIPTION AND OPERATION (Continued)

Connector Name/Number	Color	Location	Fig.
Overhead Map/Courtesy Lamp Switch No.2	BK	At Overhead Console	N/S
Oxygen Sensor 1/1 Upstream (4.0L)	GY	Left Side of Engine at Exhaust	11
Oxygen Sensor 1/1 Upstream (4.7L)	GY	Left Side of Engine at Exhaust	16
Oxygen Sensor 1/2 Downstream (4.0L)	BK	Rear of Transmission	11
Oxygen Sensor 1/2 Downstream (4.7L)	BK	Rear of Transmission	16
Park/Neutral Position Switch (4.0L)	BK	Left Side of Transmission	15
Park/Neutral Position Switch (Diesel)	BK	Left Side of Transmission	6
Passenger Airbag	YL	Passenger Side of Instrument Panel	20, 21
Passenger Blend Door Motor/ Actuator (AZC)	BK	Passenger Side of Instrument Panel	N/S
Passenger Door Courtesy Lamp	BK	In Passenger Door	N/S
Passenger Door Lock Motor/Ajar Switch	BK	In Passenger Door	27, 28
Passenger Door Module - C1	WT	In Passenger Door	27, 28
Passenger Door Module - C2	BK	In Passenger Door	N/S
Passenger Heated Seat Back (Premium I/III)	GN	At Passenger Seat	N/S
Passenger Heated Seat Cushion (Premium I/III)	BK	At Passenger Seat	N/S
Passenger Heated Seat Switch	BK	Center of Instrument Panel	N/S

Connector Name/Number	Color	Location	Fig.
Passenger Lumbar Motor (Midline/ Premium)	BK	At Passenger Seat	N/S
Passenger Lumbar Switch (Midline/ Premium)	WT	At Passenger Seat	N/S
Passenger Power Mirror	BK	In Passenger Door	N/S
Passenger Power Seat Front Riser Motor	RD	At Passenger Seat	N/S
Passenger Power Seat Horizontal Motor	RD	At Passenger Seat	N/S
Passenger Power Seat Rear Riser Motor	RD	At Passenger Seat	N/S
Passenger Power Seat Recliner Motor (Midline/ Premium)	BK	At Passenger Seat	N/S
Passenger Power Seat Switch (Base)		At Passenger Seat	N/S
Passenger Power Seat Switch (Midline/ Premium)	GN	At Passenger Seat	N/S
Passenger Power Window Motor	BK	In Passenger Door	27, 28
Power Amplifier - C1	WT	Under Rear Seat	35, 37
Power Amplifier - C2	WT	Under Rear Seat	35, 37
Power Connector	WT	Center of Instrument Panel	22, 23
Powertrain Control Module - C1 (Diesel)	BK	Rear of Engine Compartment	4, 16, 17
Powertrain Control Module - C1 (Gas)	BK	Rear of Engine Compartment	4, 9, 10, 13, 14, 16, 17

DESCRIPTION AND OPERATION (Continued)

Connector Name/Number	Color	Location	Fig.
Powertrain Control Module - C2 (Diesel)	WT	Rear of Engine Compartment	4, 9, 10, 13, 14, 16, 17
Powertrain Control Module - C2 (Gas)	WT	Rear of Engine Compartment	4, 16, 17
Powertrain Control Module - C3 (Diesel)	GY	Rear of Engine Compartment	N/S
Powertrain Control Module - C3 (Gas)	WT	Rear of Engine Compartment	N/S
Radiator Fan Motor	BK	At Radiator	4
Radiator Fan Relay	BK	Right Side of Engine Compartment	4
Radio - C1	GY	Center of Instrument Panel	20, 21
Radio - C2	BK	Center of Instrument Panel	20, 21
Radio - C3	WT	Center of Instrument Panel	20, 21
Radio - C4 (Premium)	BK	Center of Instrument Panel	20, 21
Rail Coil (4.0L)	BK	Right Rear of Engine	9, 10
Rear Power Outlet	RD	Right Rear Quarter Panel	38
Rear Washer Pump	BK	Left Front of Engine Compartment	3
Rear Wiper Motor	BK	In Liftgate	39
Recirculation Door Motor/ Actuator (AZC)	BK	Center of Instrument Panel	N/S
Remote Keyless Module (Japan)	BL	In Driver Door	N/S
Remote Radio Switch No.1	BK	At Switch in Steering Wheel	N/S

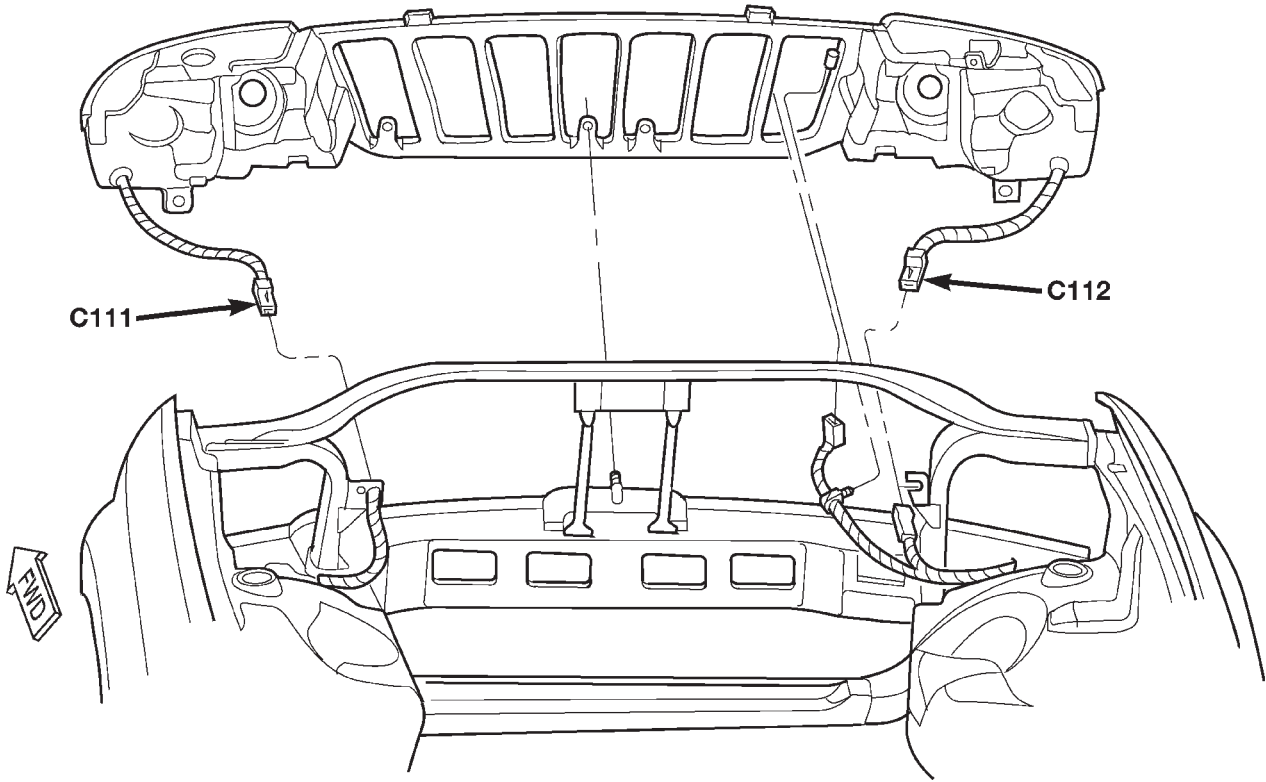
Connector Name/Number	Color	Location	Fig.
Remote Radio Switch No.2	BK	At Switch in Steering Wheel	N/S
Right Courtesy Lamp	BK	At Lamp	22, 24
Right Fog Lamp	BK	At Right Front Fascia	4
Right Front Door Speaker	WT	In Right Front Door	27, 28
Right Front Park Lamp	WT	At Lamp	N/S
Right Front Park/Turn Signal Lamp (Except Built-Up-Export)	BK	At Lamp	N/S
Right Front Side Marker Lamp (Except Built-Up-Export)	WT	At Lamp	N/S
Right Front Turn Signal Lamp (Built-Up-Export)	WT	At Lamp	N/S
Right Front Wheel Speed Sensor	GY	In Right Front Wheel Opening	N/S
Right Handle Courtesy Lamp	BK	At Lamp	N/S
Right Headlamp Leveling Motor (Built-Up-Export)	BK	At Motor	N/S
Right High Beam Headlamp	BK	At Lamp	N/S
Right Instrument Panel Speaker	WT	At Speaker	20, 21
Right Liftgate Ajar Switch	BK	In Liftgate	39
Right Low Beam Headlamp	GY	At Lamp	N/S
Right Multi-Function Switch	WT	On Steering Column	24
Right Rear Door Lock Motor/Ajar Switch	BK	In Right Rear Door	30
Right Rear Door Speaker	WT	In Right Rear Door	30
Right Rear Lamp Assembly	BK	At Lamp Assembly	38
Right Rear Power Window Motor	BK	In Right Rear Door	30

DESCRIPTION AND OPERATION (Continued)

Connector Name/Number	Color	Location	Fig.
Right Rear Power Window Switch	BL	In Right Rear Door	30
Right Rear Wheel Speed Sensor	BK	Near Right Rear Wheel	34, 36
Right Side Repeater (Built-Up-Export)	BK	On Right Front Fender	N/S
Right Visor/Vanity Lamp	BK	At Lamp	N/S
Seat Belt Switch	WT	At Driver Seat	N/S
Seat Module - C1 (Premium)	BK	Under Driver Seat	N/S
Seat Module - C2 (Premium)	OR	Under Driver Seat	N/S
Sentry Key Immobilizer Module	BK	On Steering Column	24
Sunroof Control Module		At Sunroof	33
Sunroof Motor	WT	At Sunroof	N/S
Sunroof Motor Position Sensor	BK	At Sunroof	N/S
Sunroof Switch		At Switch	N/S
Temperature Valve Actuator (MTC)	BK	On HVAC Housing	N/S
Throttle Position Sensor (4.0L)	WT	Left Side of Engine	8
Throttle Position Sensor (4.7L)	WT	Left Side of Engine	12
Trailer Tow Brake Lamp Relay	BK	Left Quarter Panel	N/S
Trailer Tow Circuit Breaker	BK	Left Quarter Panel	N/S
Trailer Tow Connector	BK	In Rear Bumper	40
Trailer Tow Left Turn Relay	BK	Left Quarter Panel	N/S

Connector Name/Number	Color	Location	Fig.
Trailer Tow Right Turn Relay	BK	Left Quarter Panel	N/S
Transfer Case Switch (4.0L) (Except Built-Up-Export)		On Transfer Case	N/S
Transmission Control Module (4.7L)	BK	Rear of Engine Compartment	13, 14, 16, 17
Transmission Solenoid (Diesel/4.0L Gas)	BK	Left Side of Transmission	6, 11
Transmission Solenoid/TRS Assembly (4.7L)	GY	Left Side of Transmission	15
Turbo Boost Pressure Sensor (Diesel)	BK	Top Front of Engine	7
Underhood Lamp	BK	At Lamp	5
Vehicle Information Center	BK	In Overhead Console	N/S
Vehicle Speed Control Servo	BK	Right Front of Engine Compartment	4
Washer Fluid Level Sensor	GY	Left Front of Engine Compartment	3
Water In Fuel Sensor (Diesel)	GY	Left Rear of Engine Compartment	18
Windshield Washer Pump	WT	Left Front of Engine Compartment	3
Windshield Wiper Motor	BK	Left Side of Cowl	3

DESCRIPTION AND OPERATION (Continued)

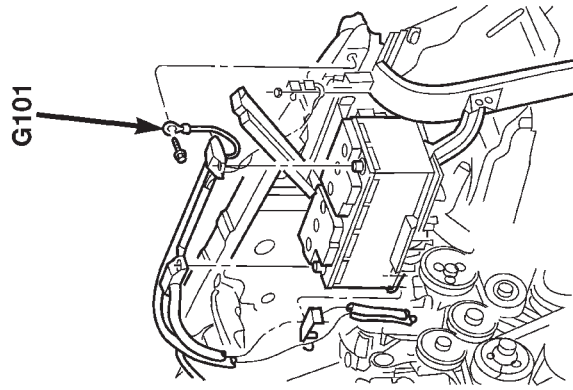


80bceaee

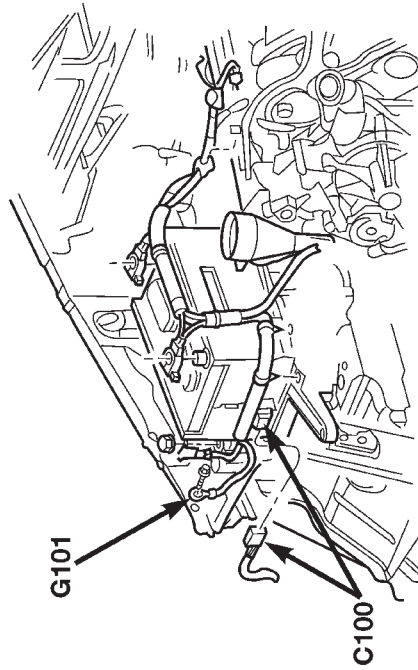
Fig. 1 Engine Compartment Connections (Front Clip)

DESCRIPTION AND OPERATION (Continued)

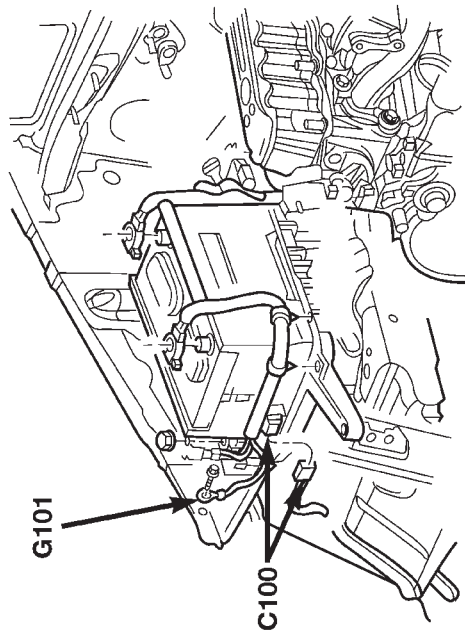
80bbcccd



(DIESEL)



4.7L (V8)



4.0L (I6)

Fig. 2 Engine Compartment Connections (Battery)

DESCRIPTION AND OPERATION (Continued)

80bf95ca

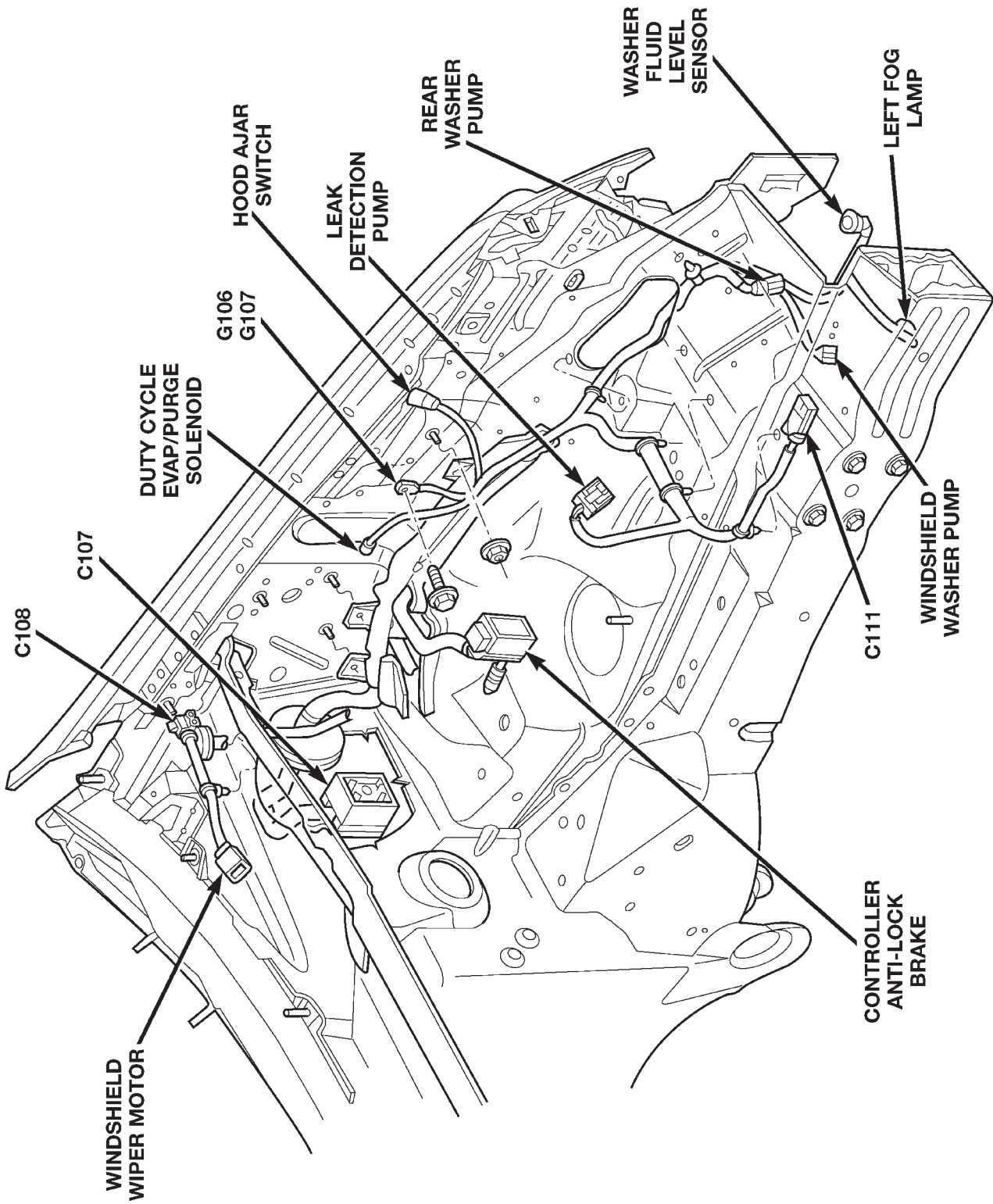
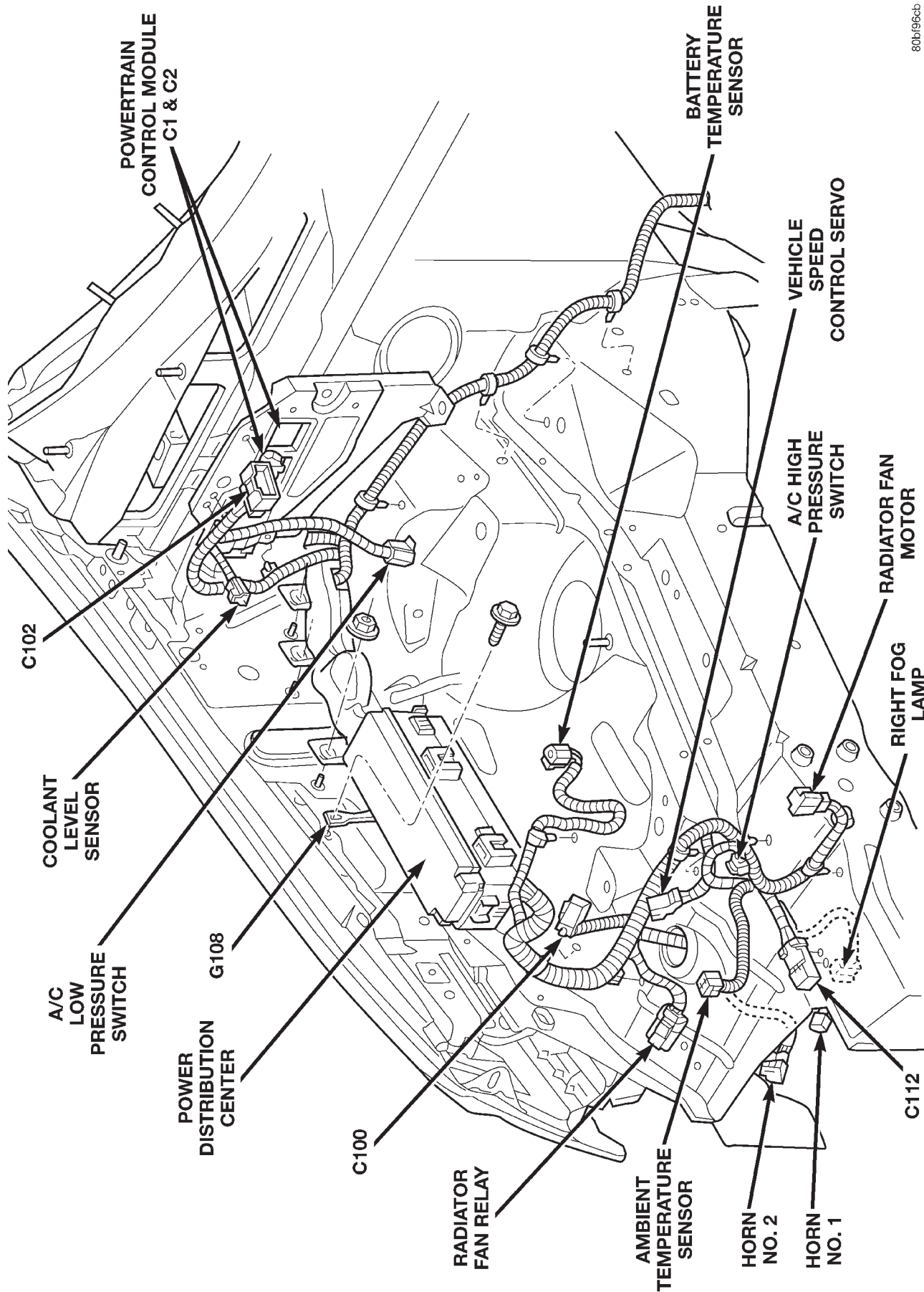


Fig. 3 Engine Compartment Left Side

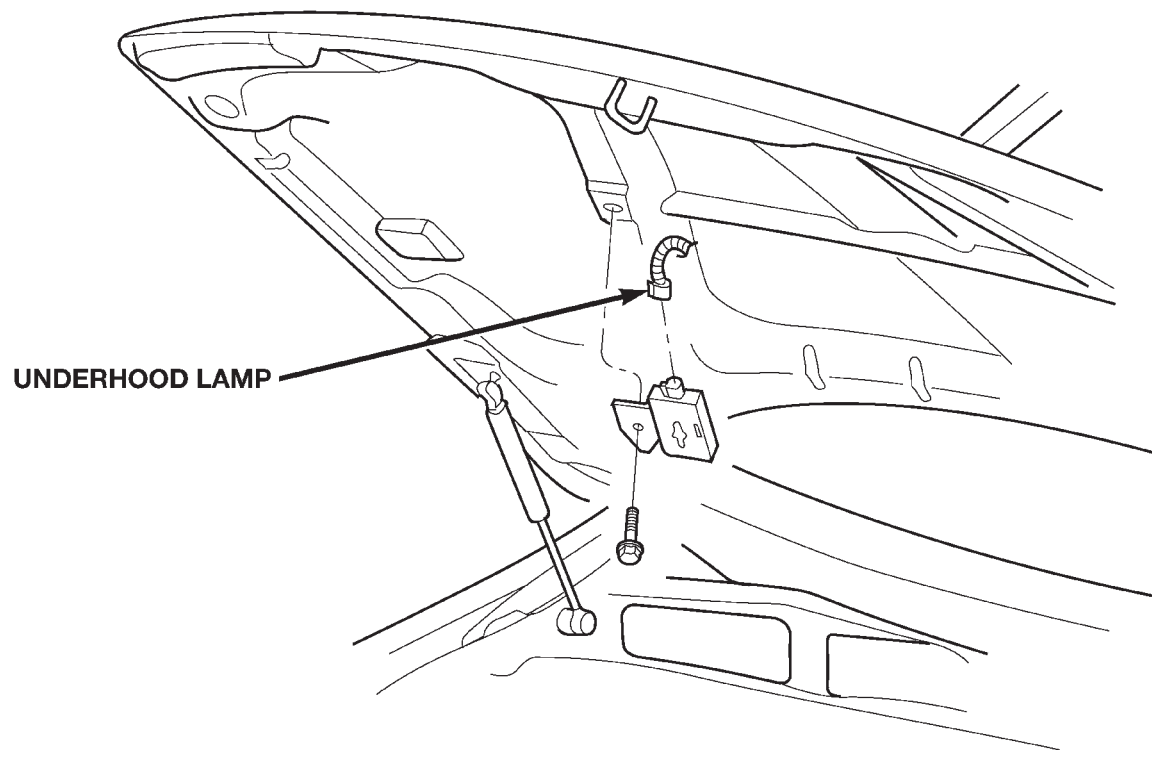
DESCRIPTION AND OPERATION (Continued)



80b196cb

Fig. 4 Engine Compartment Connections Right Side

DESCRIPTION AND OPERATION (Continued)



80bceab8

Fig. 5 Underhood Lamp

DESCRIPTION AND OPERATION (Continued)

80b196ce

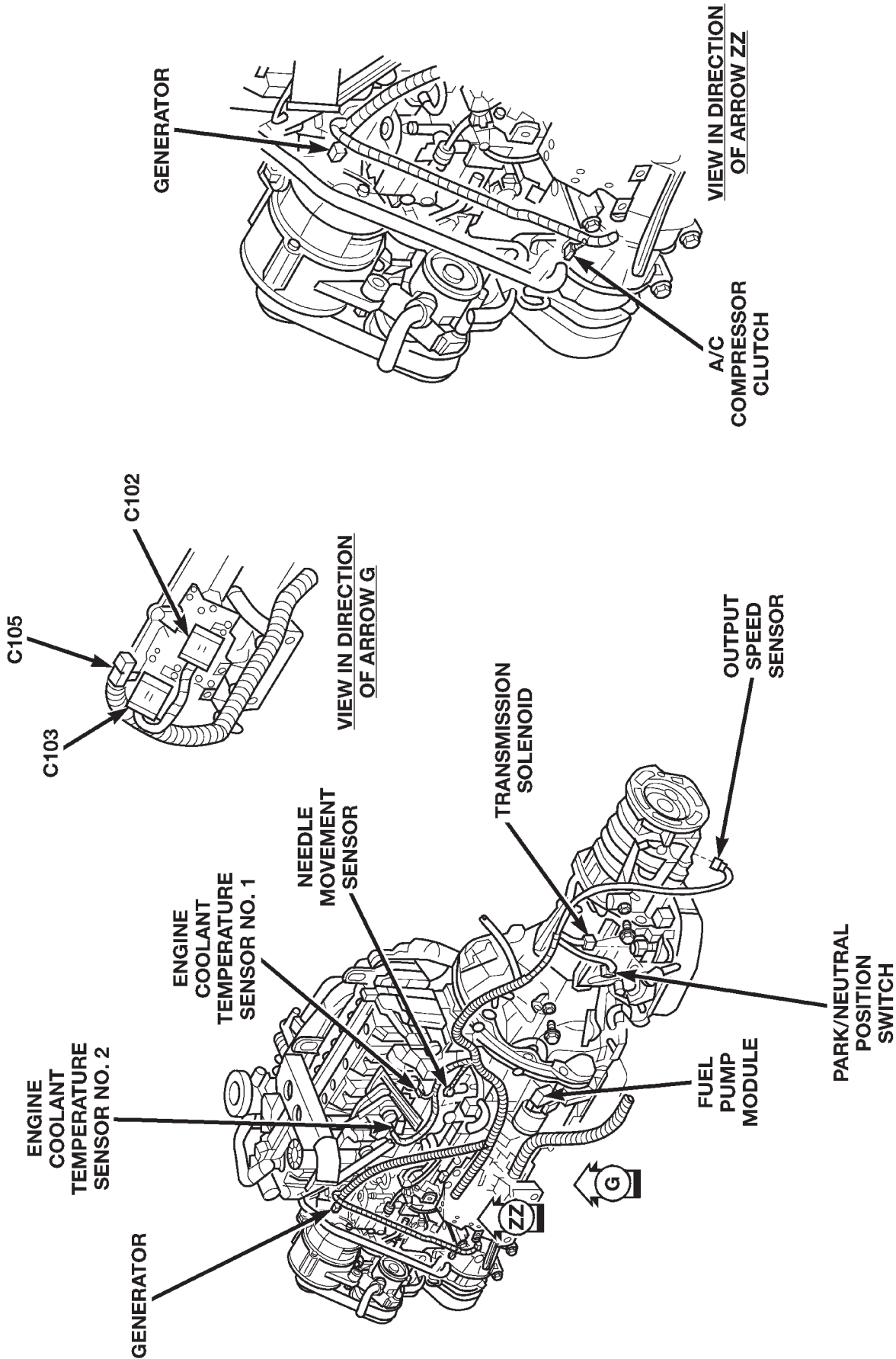
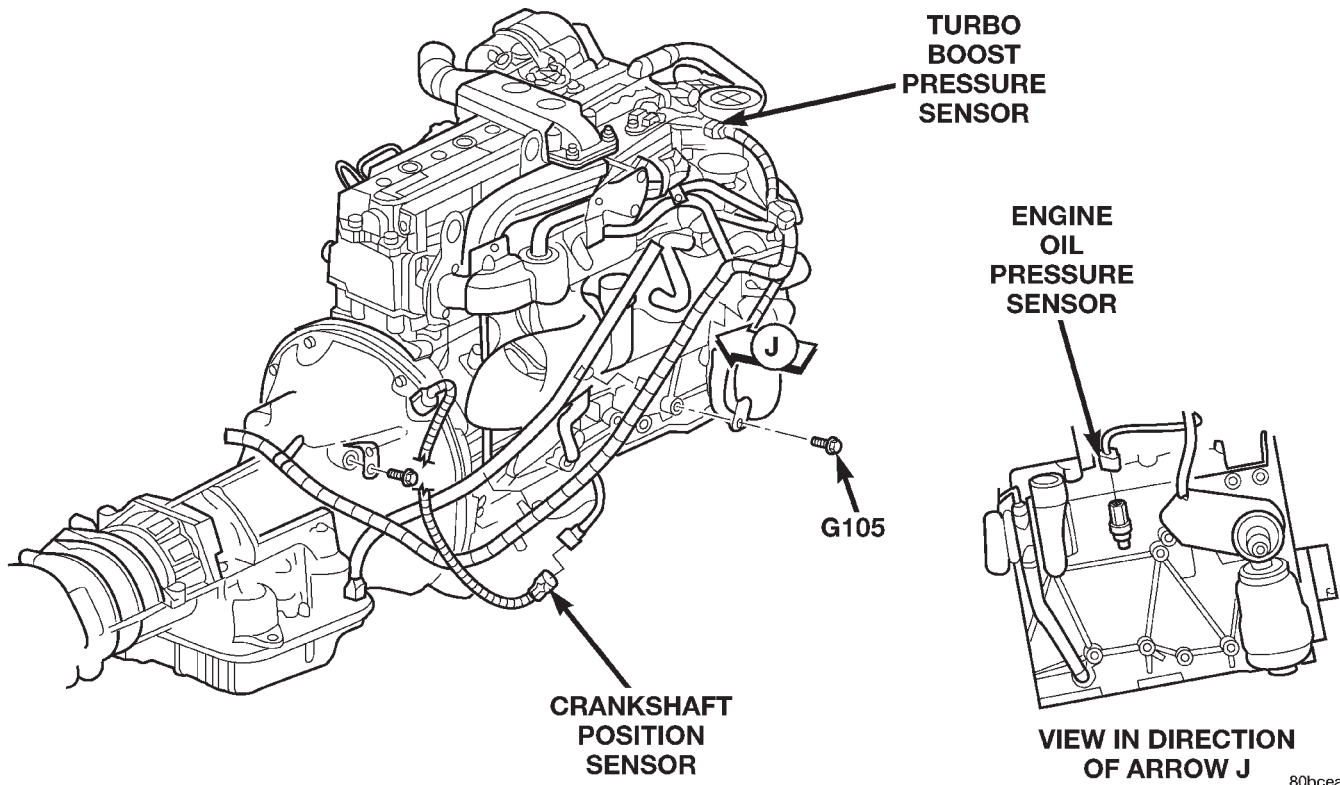


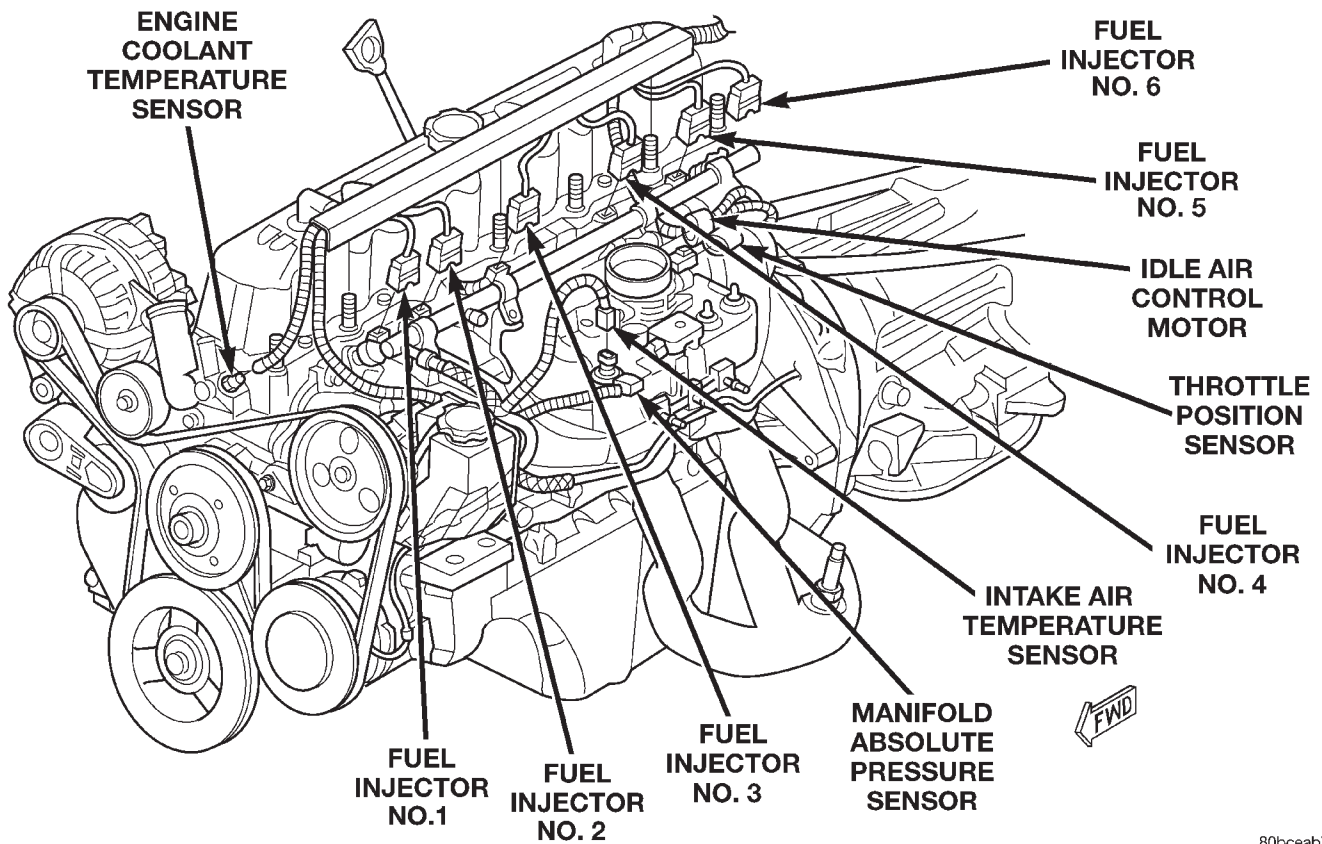
Fig. 6 Engine Connections (Diesel)

DESCRIPTION AND OPERATION (Continued)



80bceaaf

Fig. 7 Engine Connections Diesel



80bcea7

Fig. 8 Engine Connections (4.0L)

DESCRIPTION AND OPERATION (Continued)

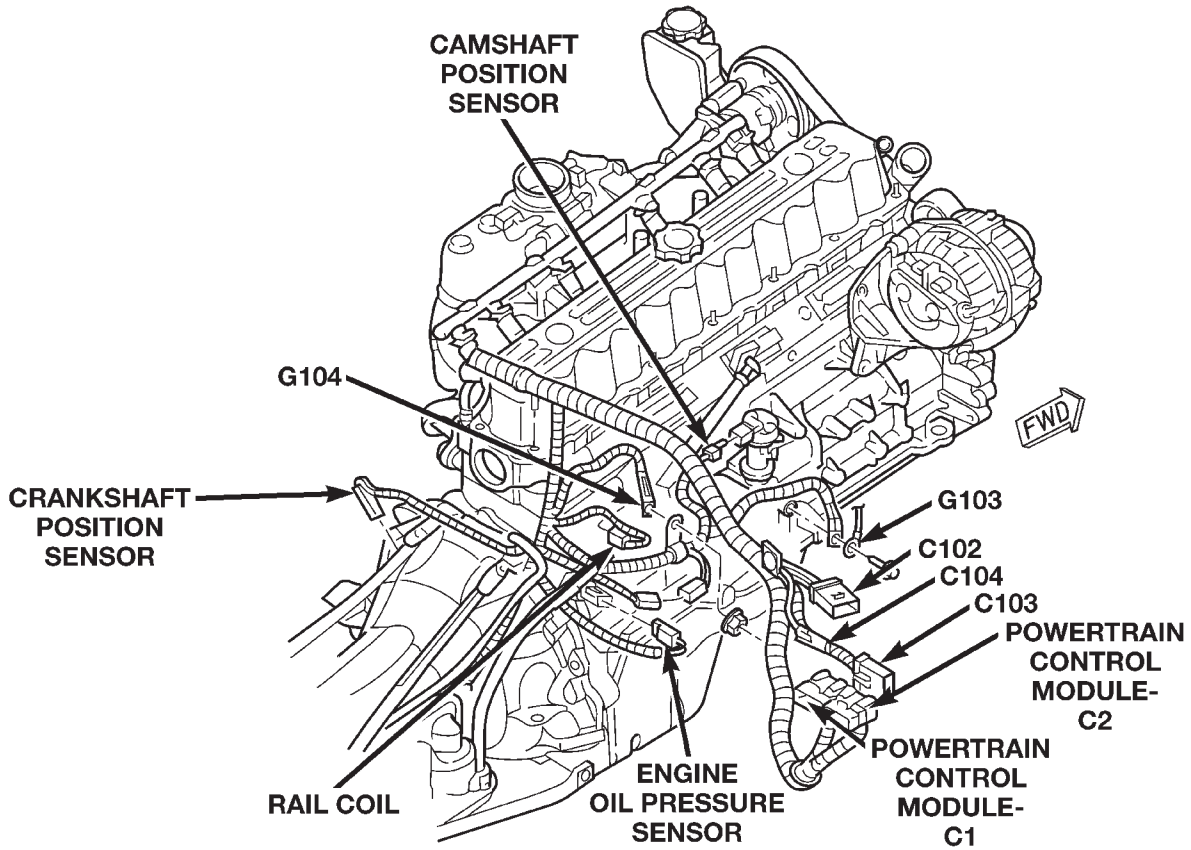


Fig. 9 Engine Connections (4.0L)

80bceab0

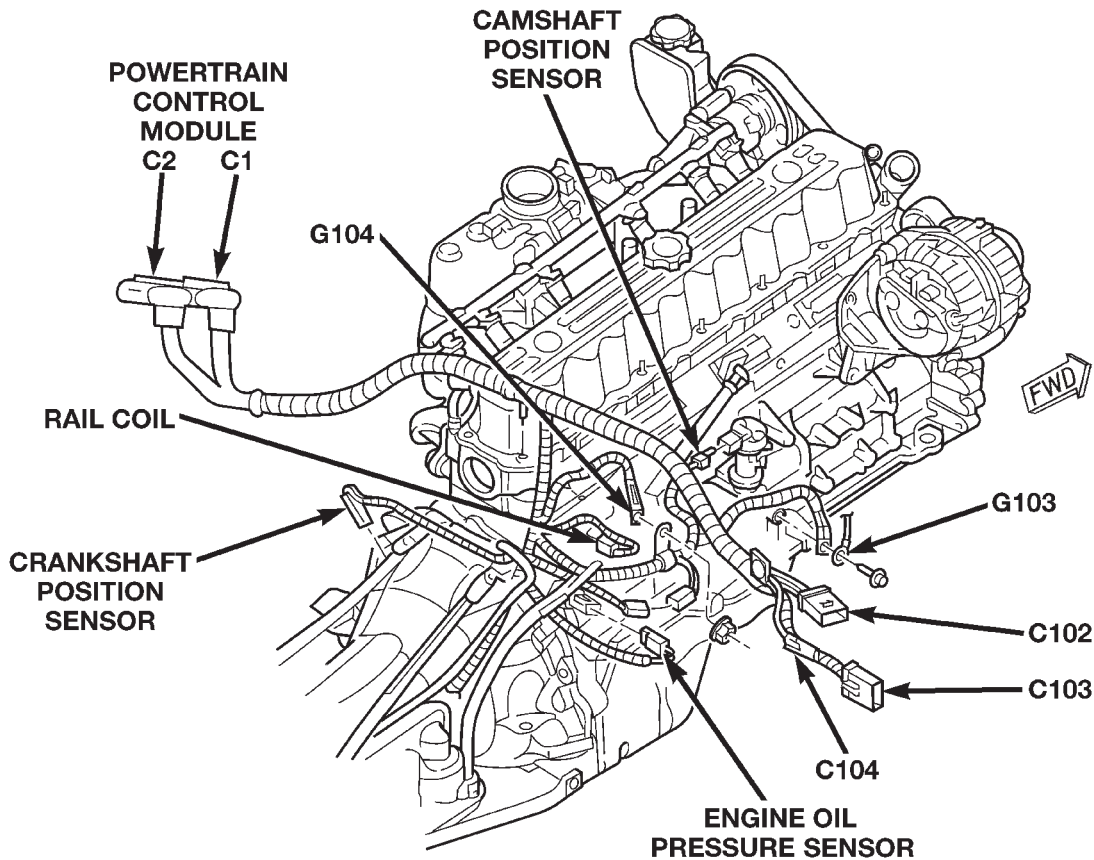
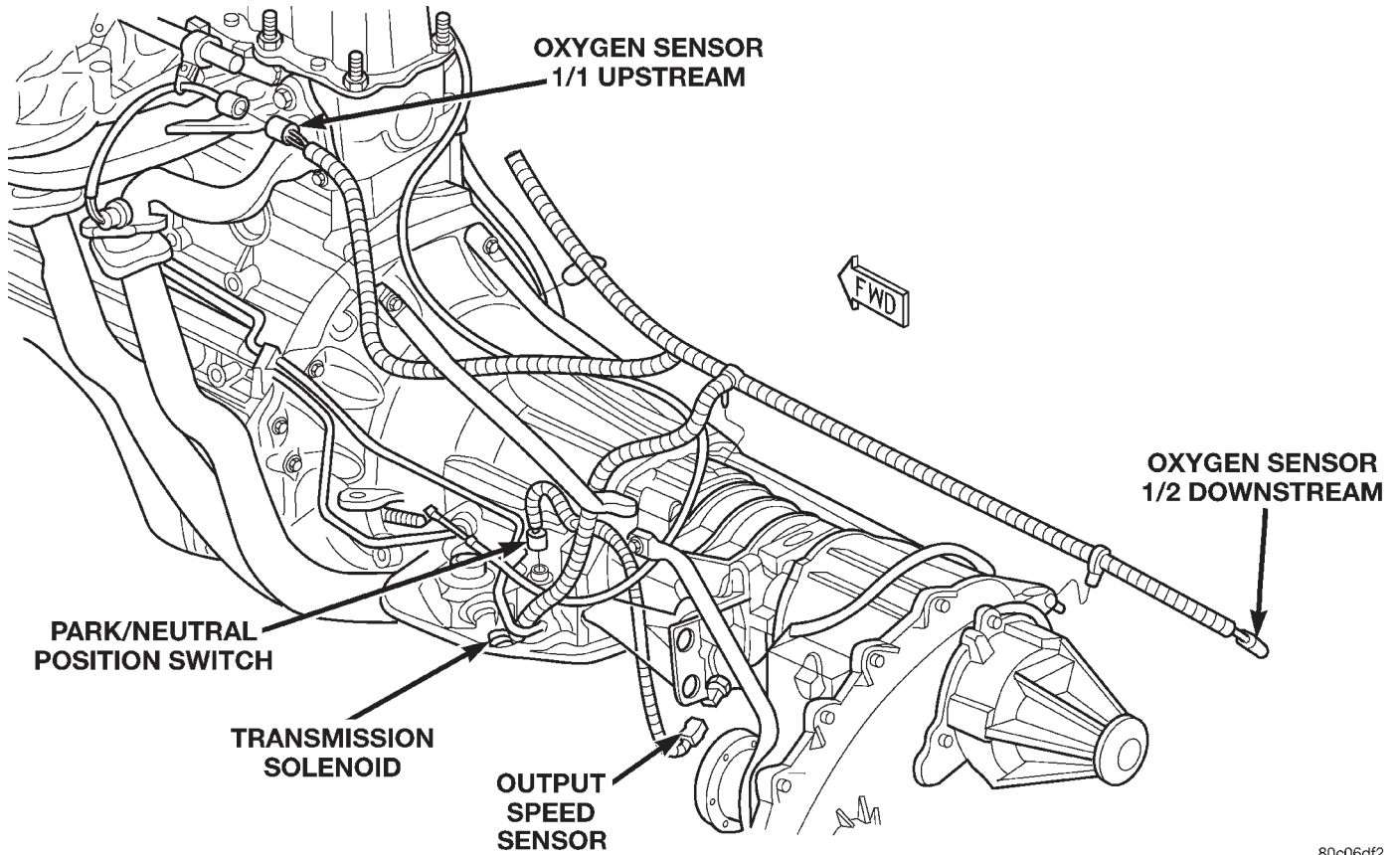


Fig. 10 Engine Connections (4.0L) — RHD

80c06df1

DESCRIPTION AND OPERATION (Continued)



80c06df2

Fig. 11 Transmission Connections (4.0L)

DESCRIPTION AND OPERATION (Continued)

80b195cf

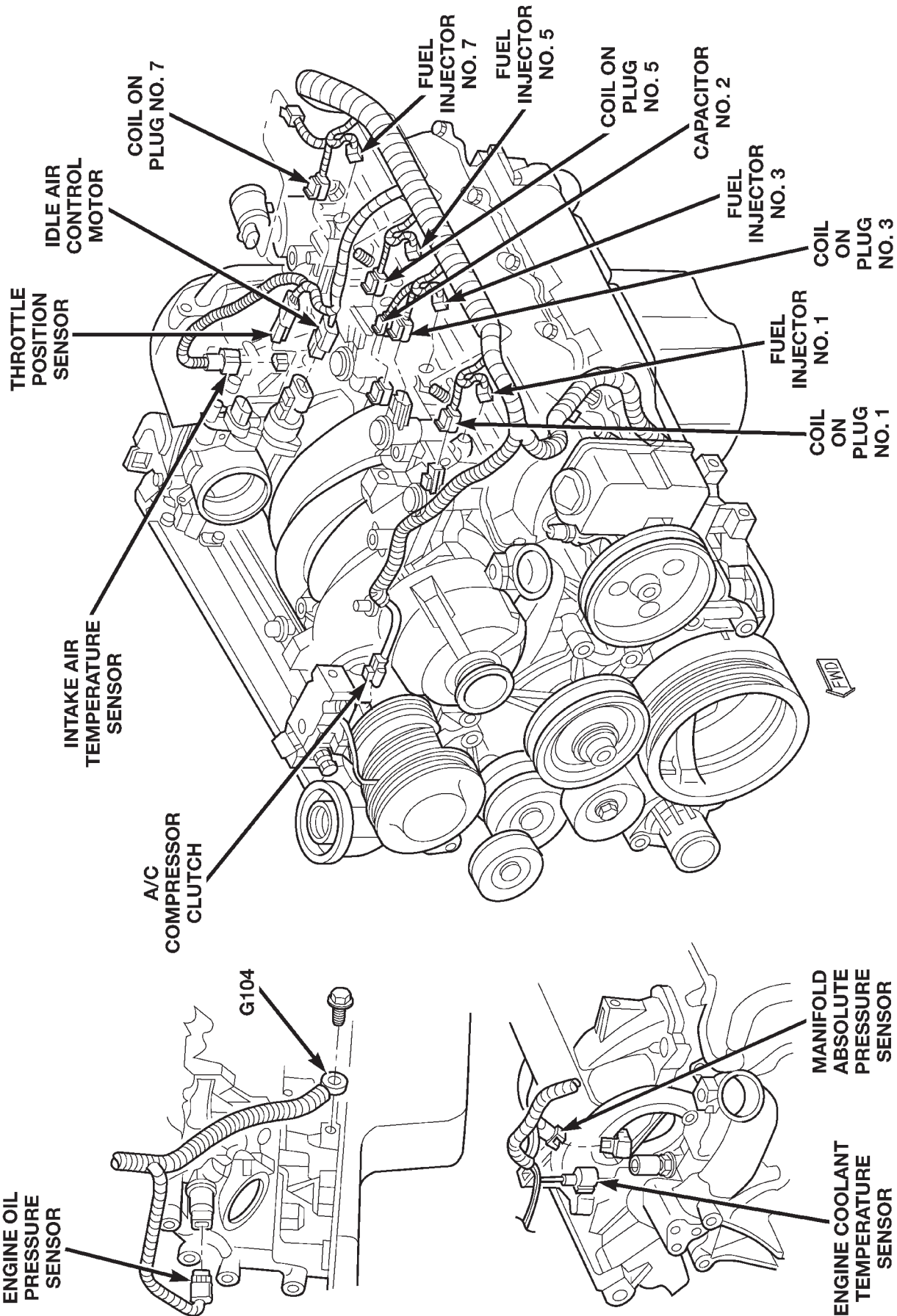


Fig. 12 Engine Connections (4.7L)

DESCRIPTION AND OPERATION (Continued)

80bbcccf

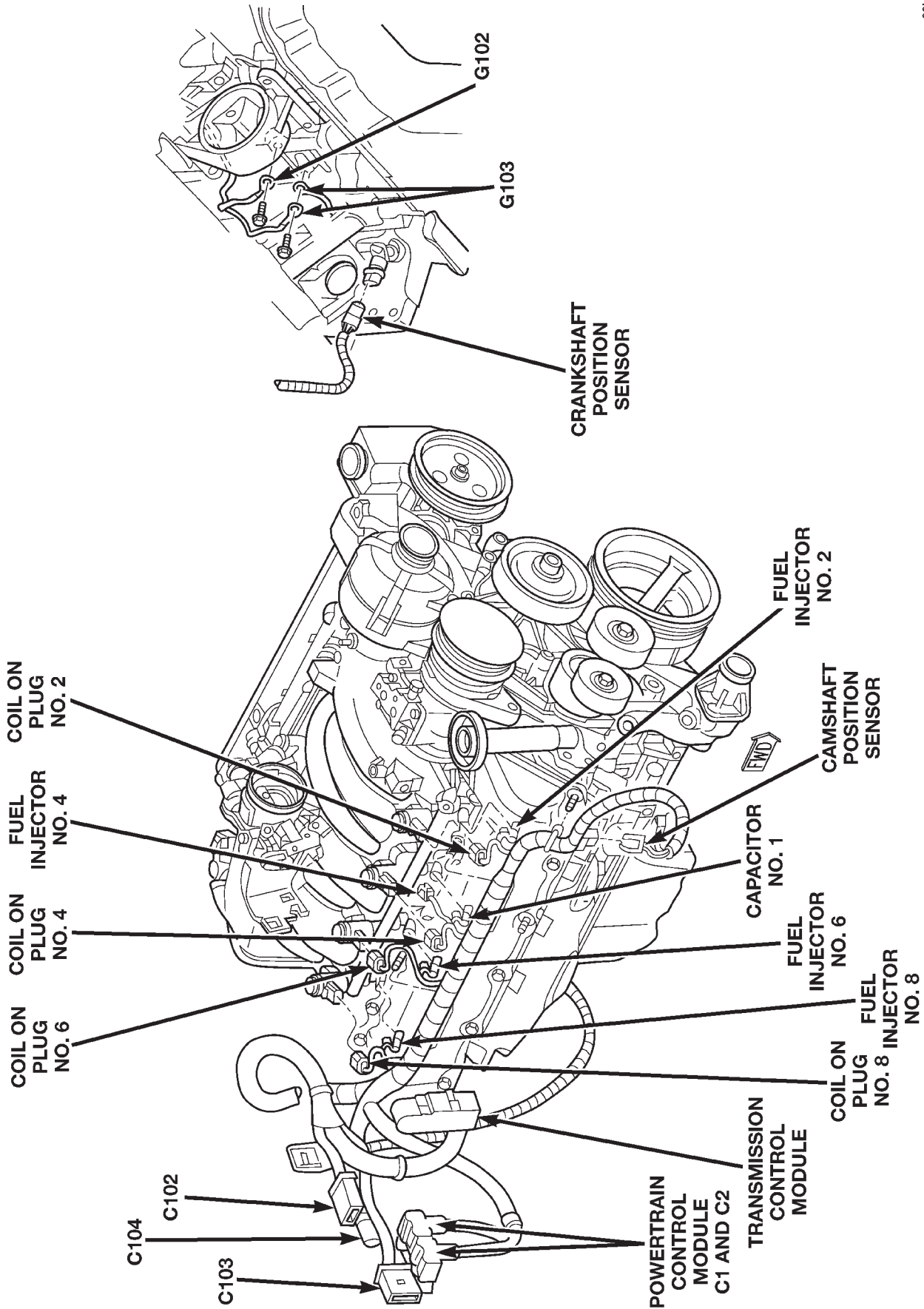


Fig. 13 Engine Connections (4.7L)

DESCRIPTION AND OPERATION (Continued)

80bcead4

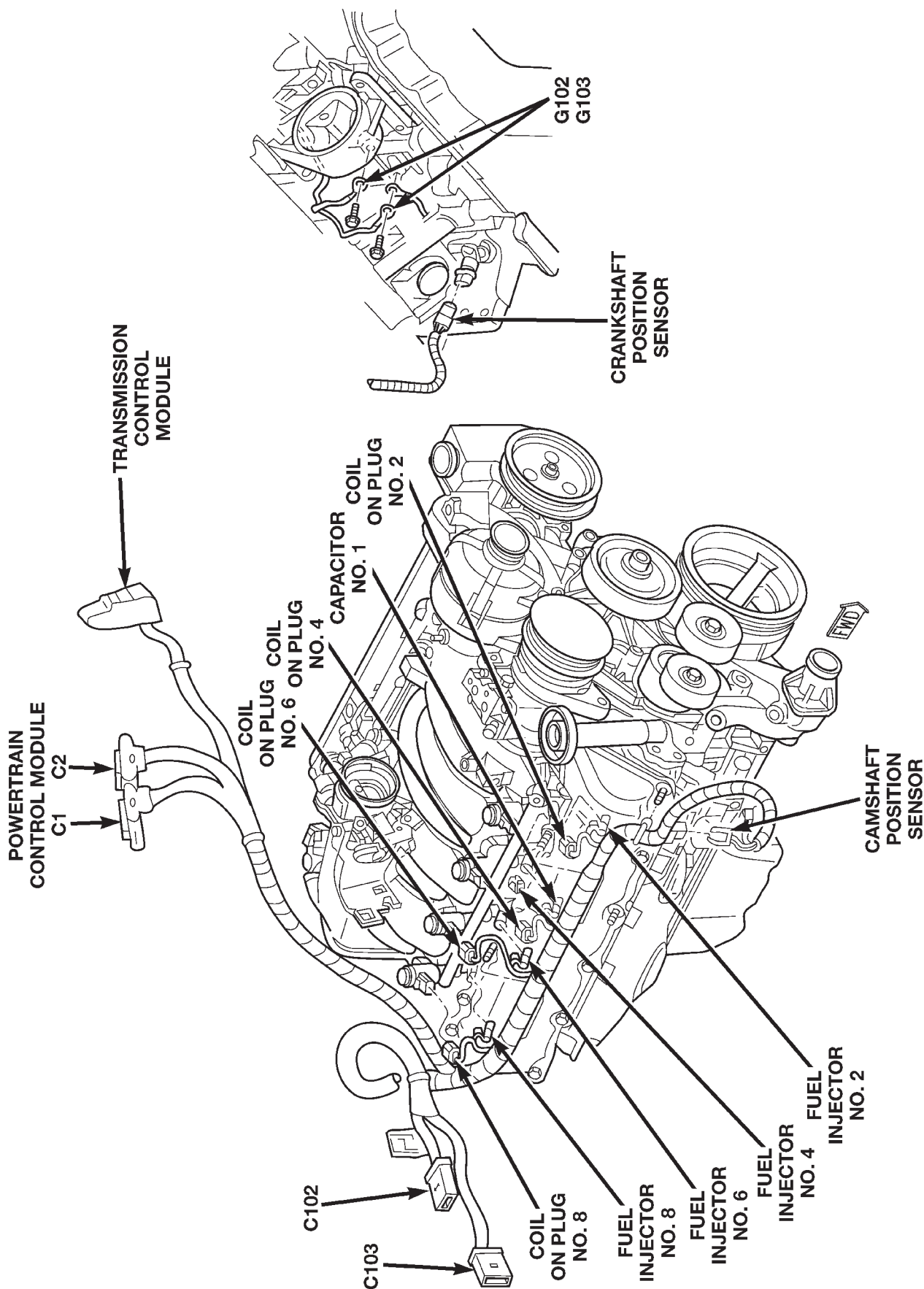


Fig. 14 Engine Connections (4.7L) — RHD

DESCRIPTION AND OPERATION (Continued)

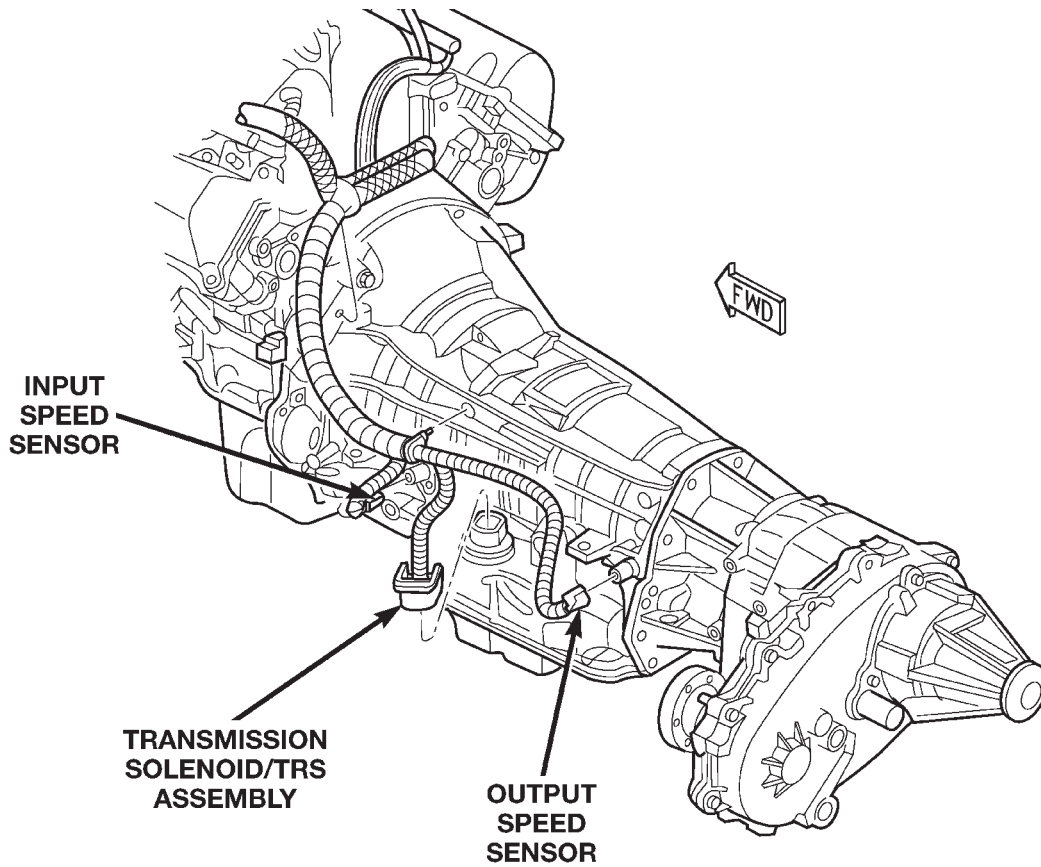


Fig. 15 Transmission Connections (4.7L)

80bceab6

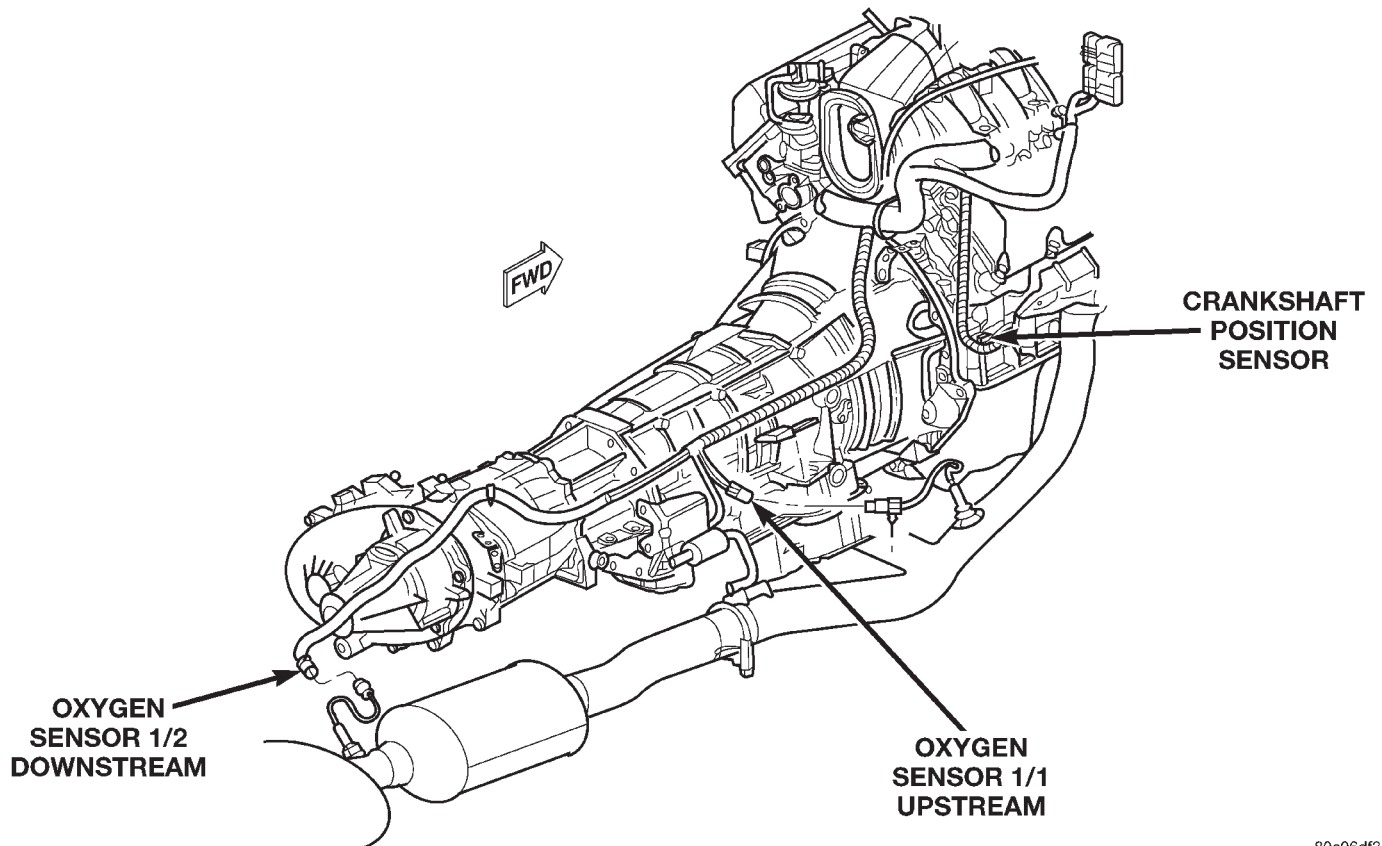
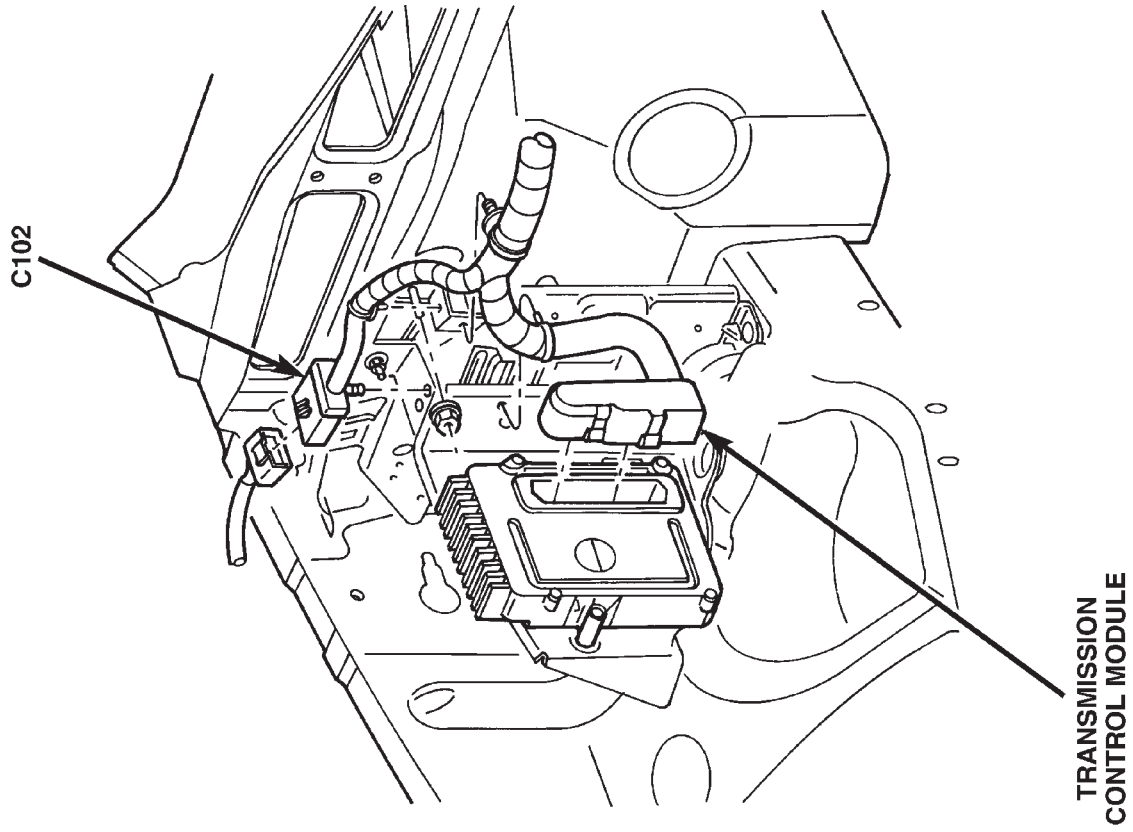


Fig. 16 Transmission Connections

80c06df3

DESCRIPTION AND OPERATION (Continued)



80b840e3

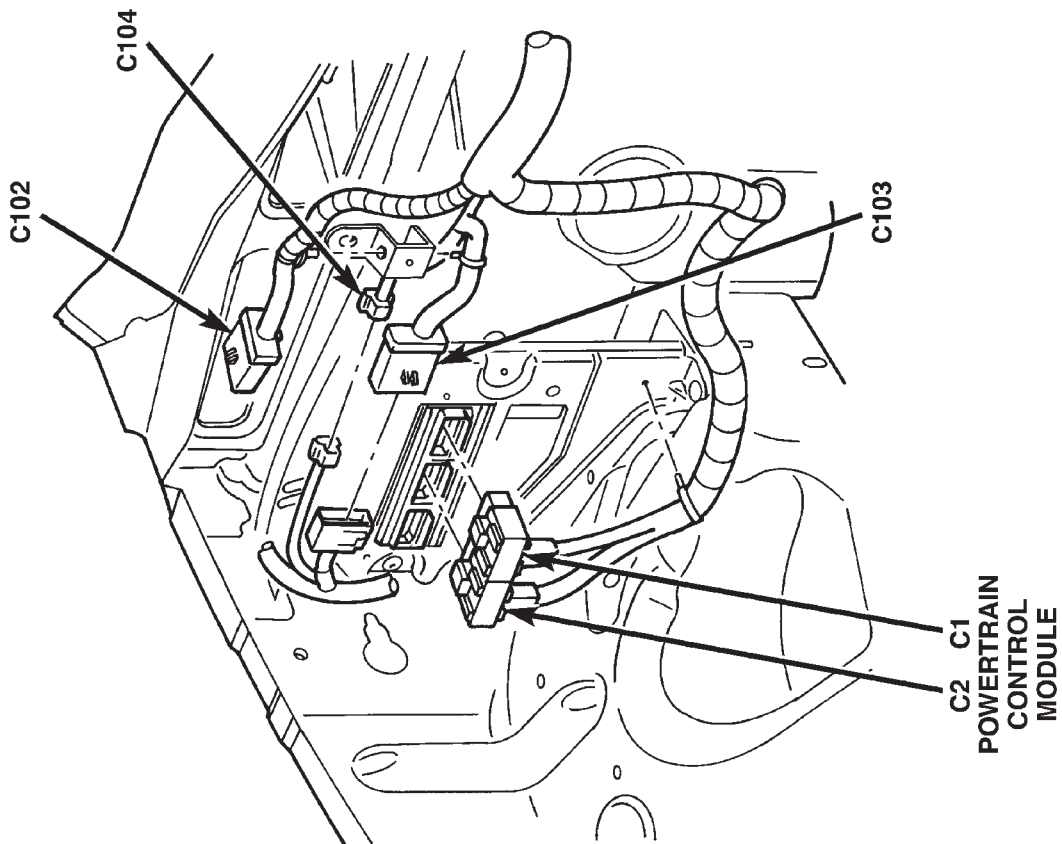


Fig. 17 Engine Compartment Connections

DESCRIPTION AND OPERATION (Continued)

80bceade

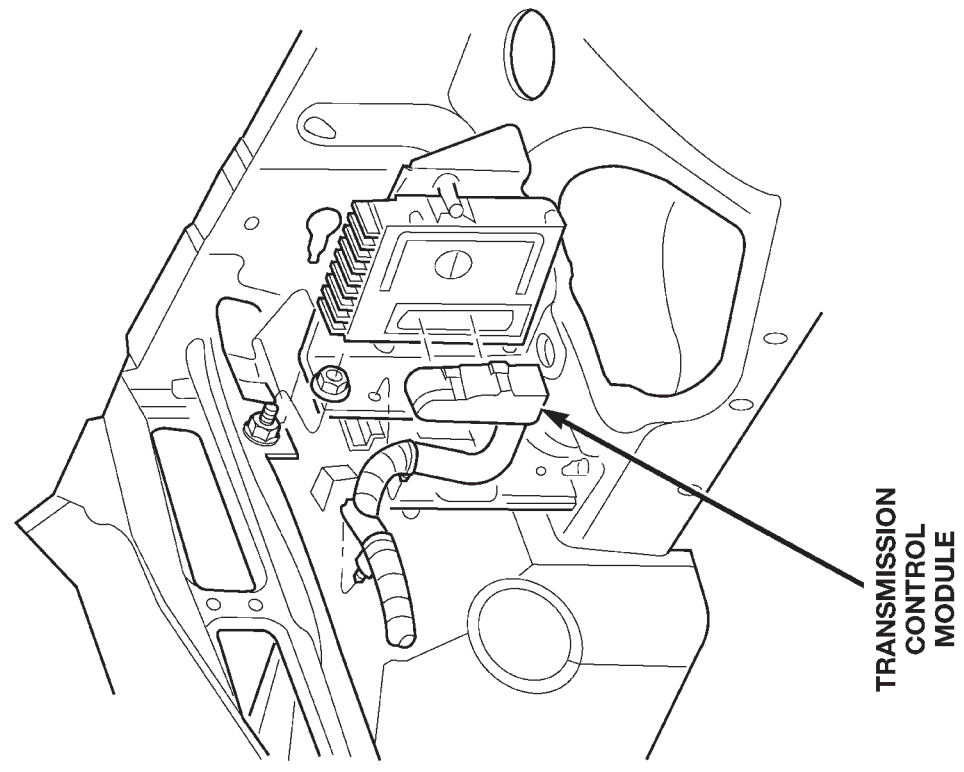
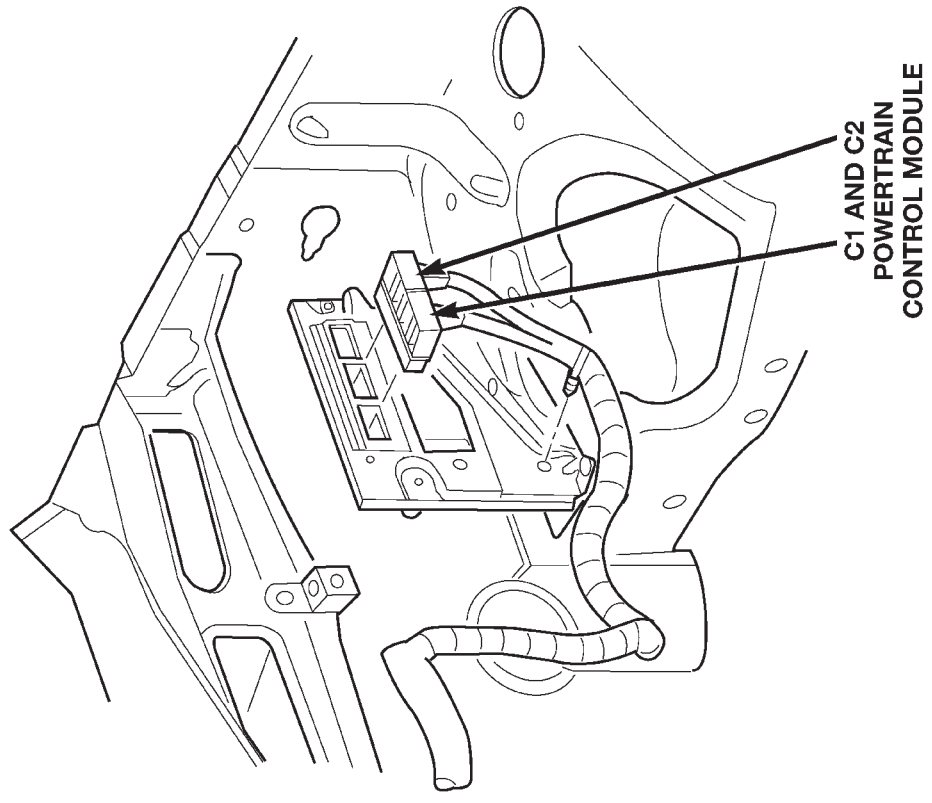
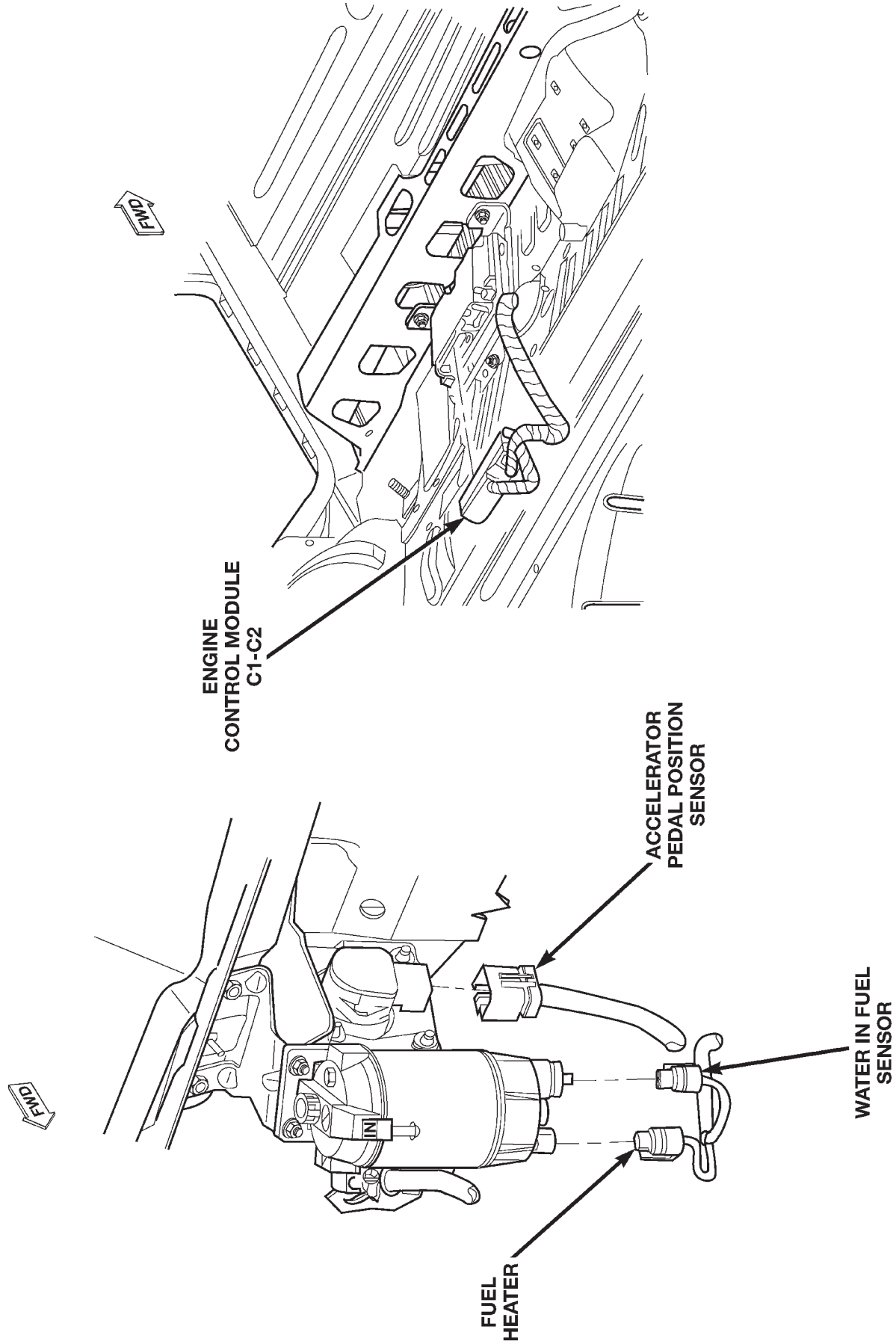


Fig. 18 Engine Compartment Connections — RHD

DESCRIPTION AND OPERATION (Continued)



80b196da

Fig. 19 Diesel Engine Connectors

DESCRIPTION AND OPERATION (Continued)

80b196e4

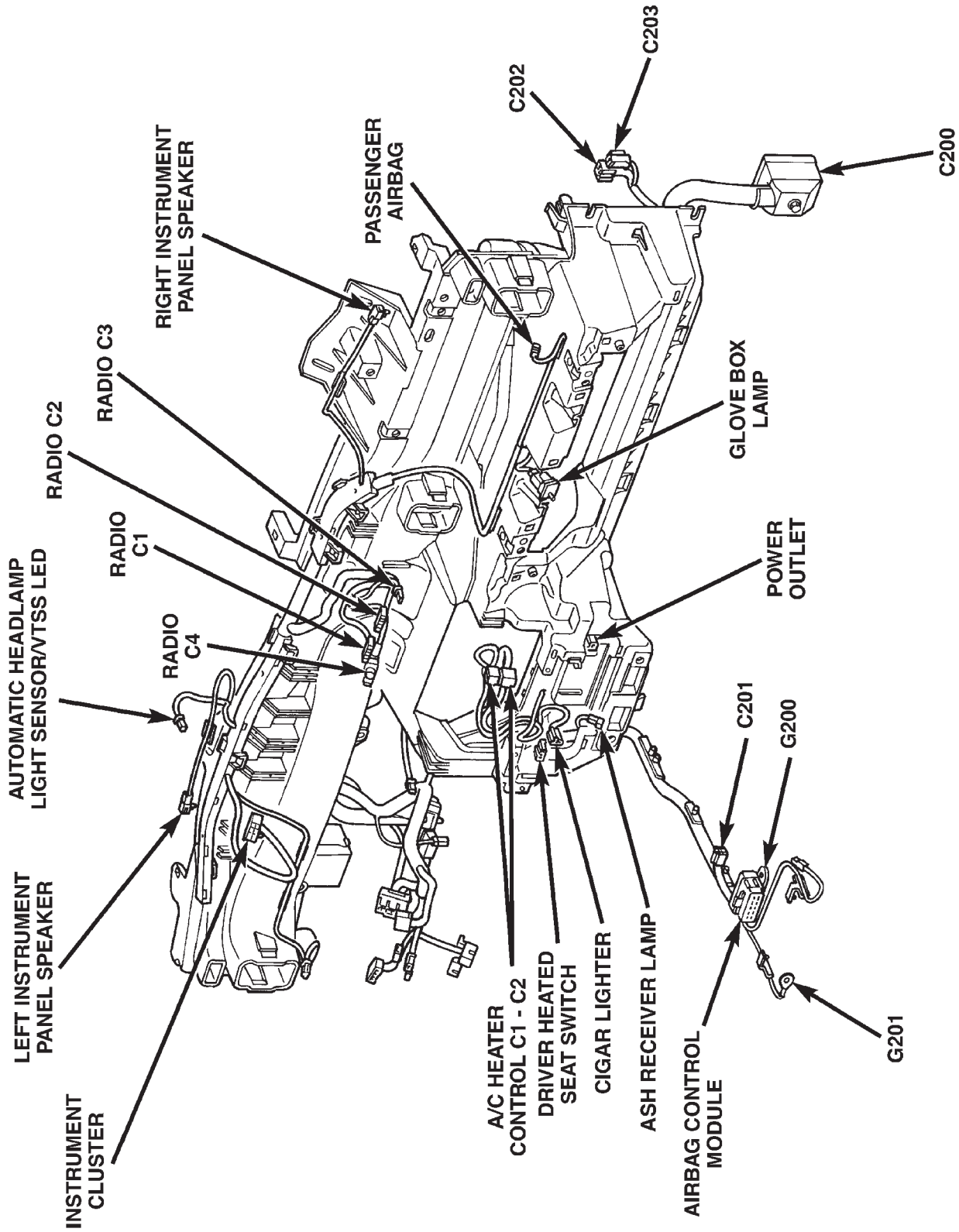


Fig. 20 Instrument Panel Front Connectors

DESCRIPTION AND OPERATION (Continued)

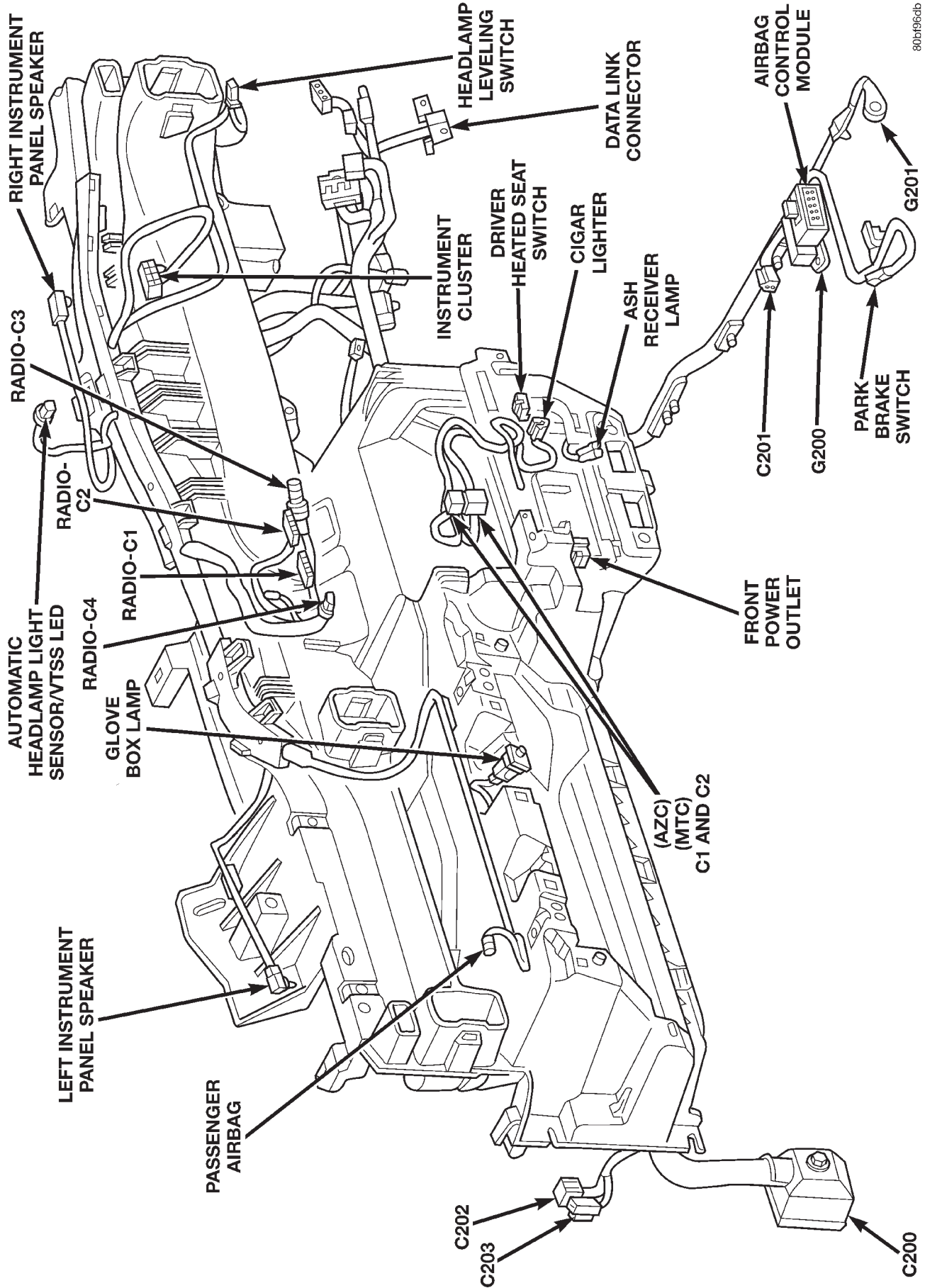


Fig. 21 Instrument Panel Front Connectors — RHD

DESCRIPTION AND OPERATION (Continued)

80bceac0

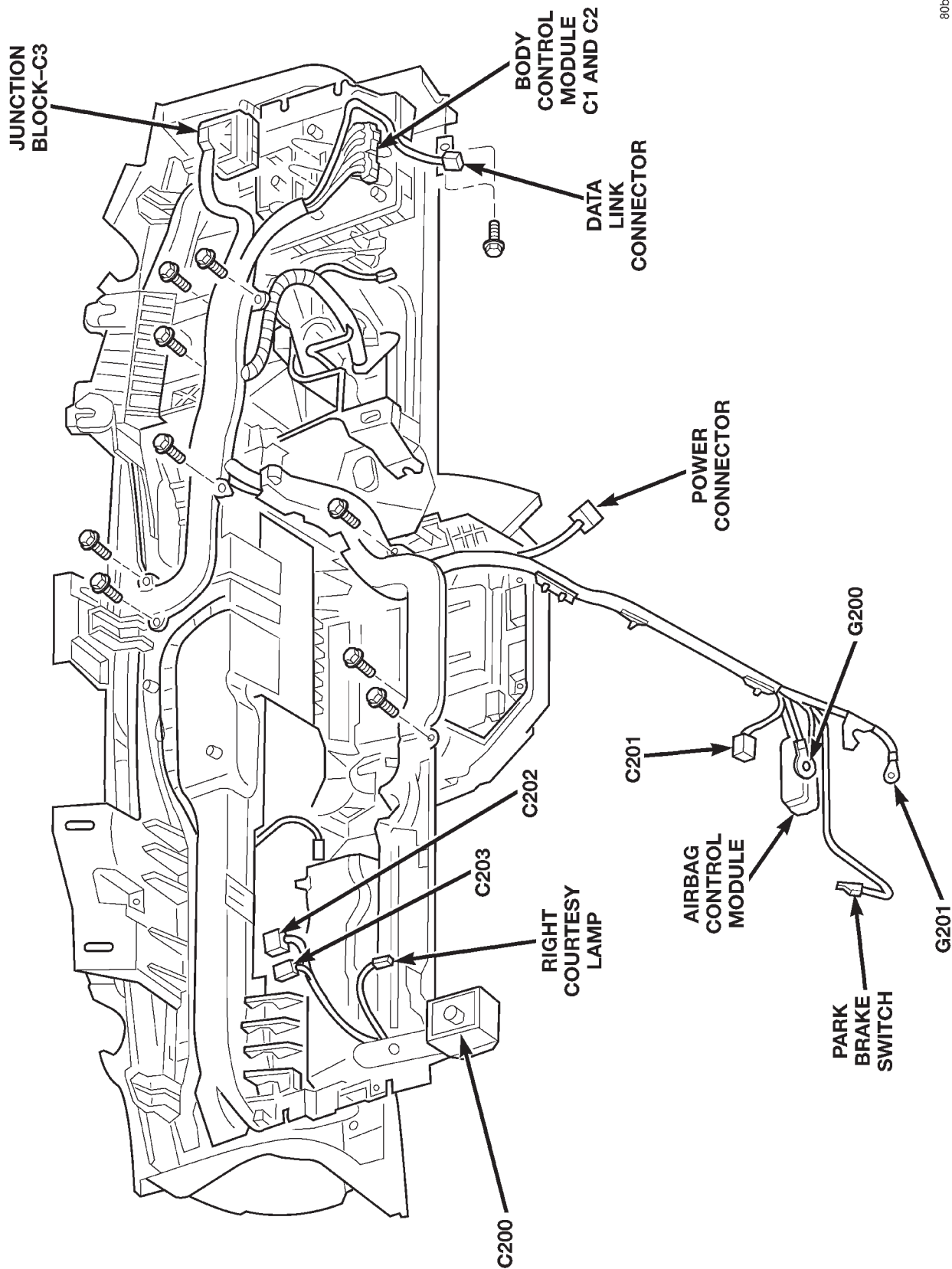


Fig. 22 Instrument Panel Rear Connectors

DESCRIPTION AND OPERATION (Continued)

80bceadf

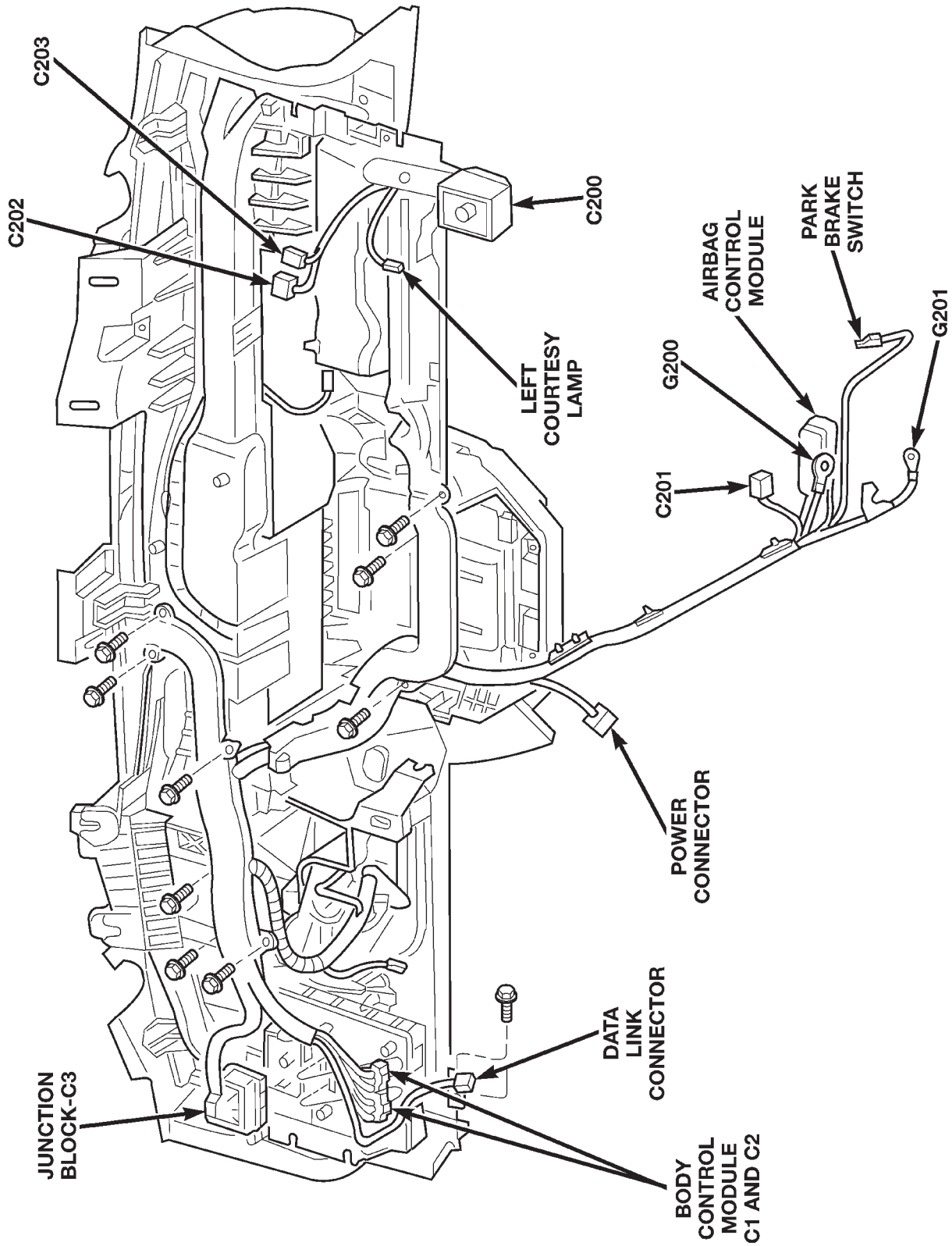
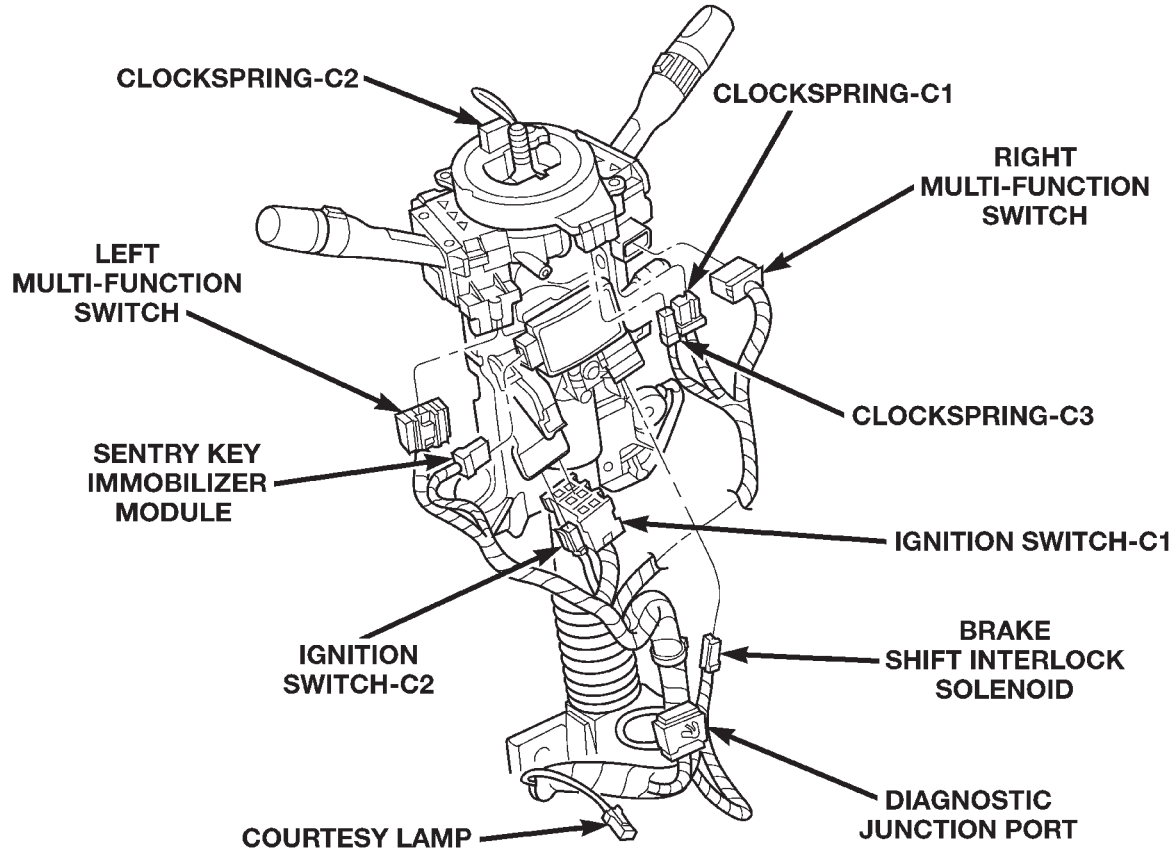


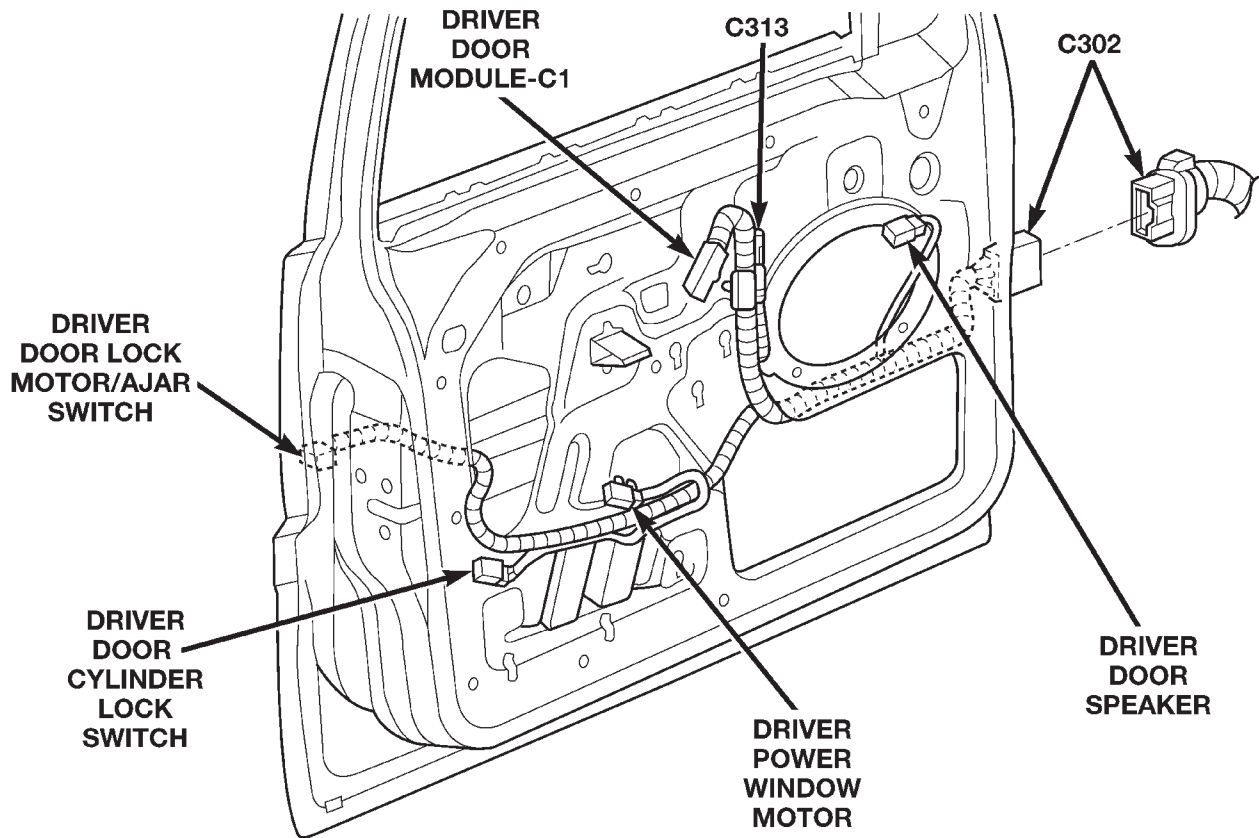
Fig. 23 Instrument Panel Rear Connectors — RHD

DESCRIPTION AND OPERATION (Continued)



80c06df4

Fig. 24 Steering Column Connectors



80bceac8

Fig. 25 Driver Door Connectors

DESCRIPTION AND OPERATION (Continued)

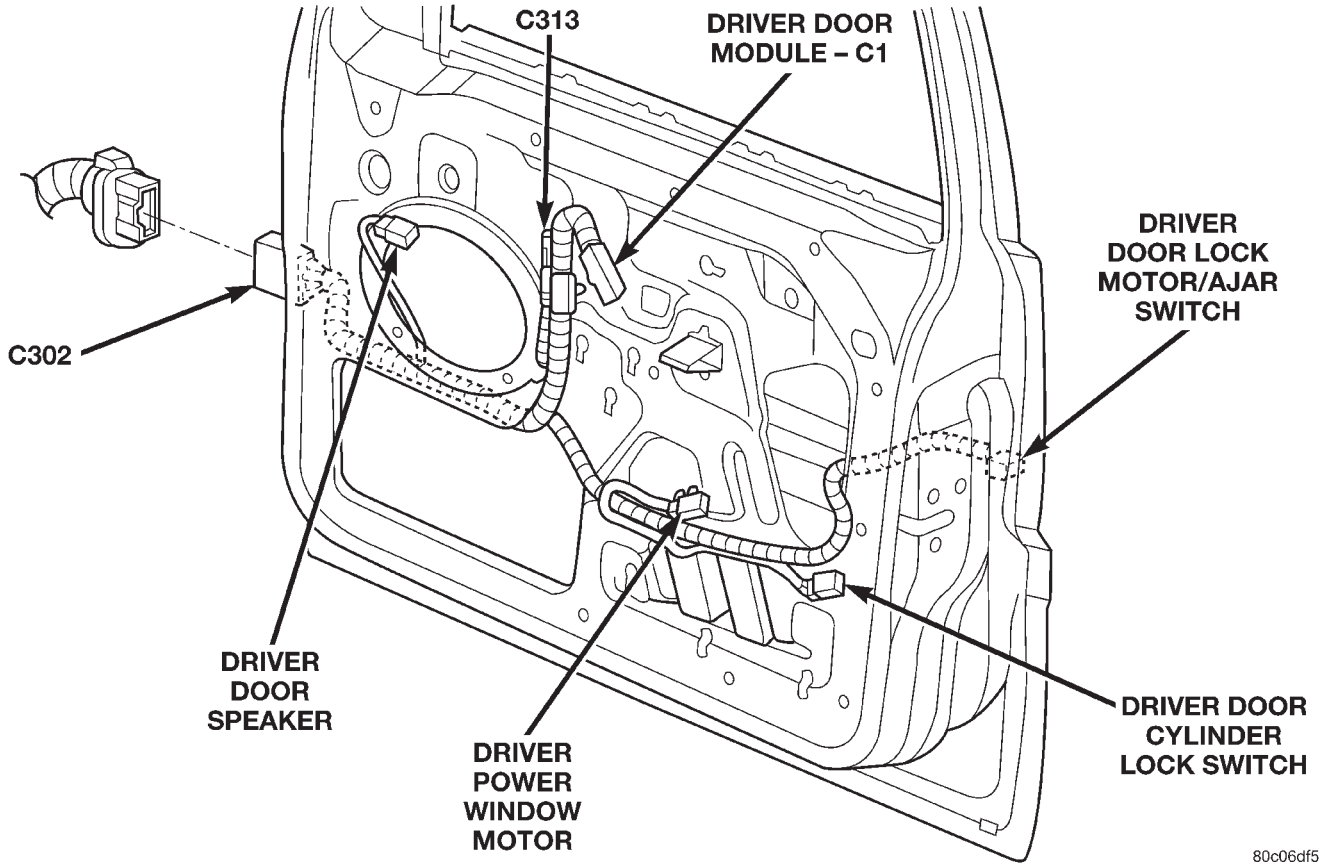


Fig. 26 Driver Door Connectors — RHD

80c06df5

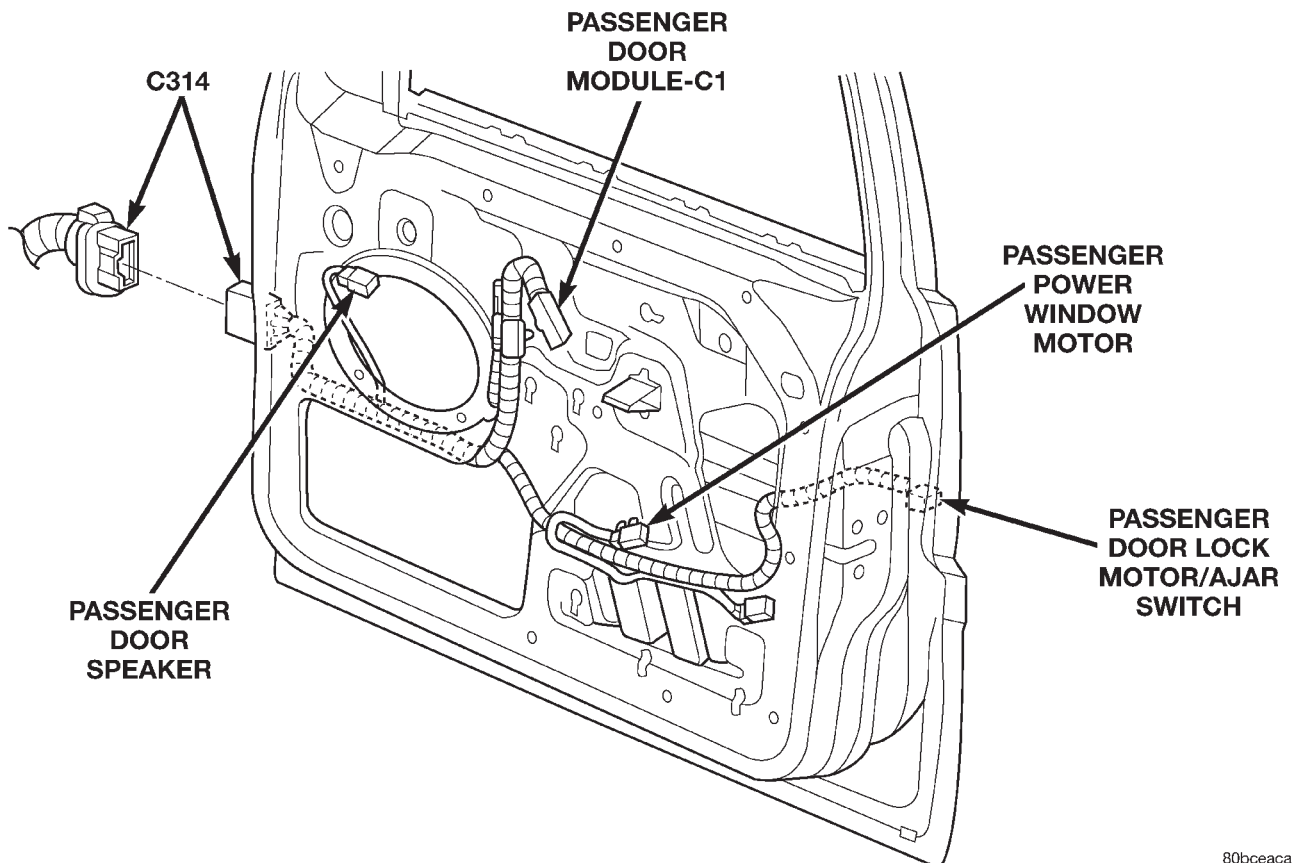


Fig. 27 Passenger Door Connectors

80bceaca

DESCRIPTION AND OPERATION (Continued)

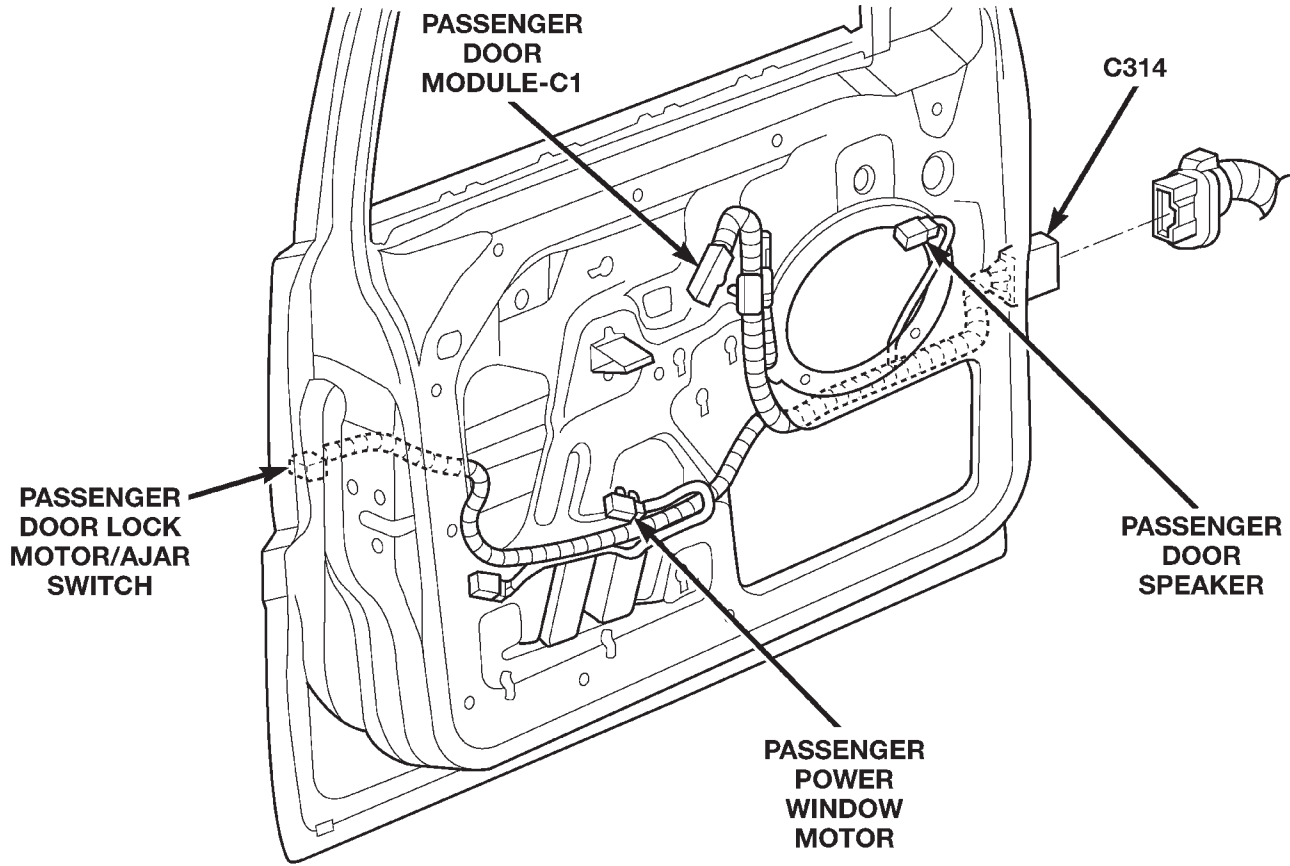


Fig. 28 Passenger Door Connectors —RHD

80bceae8

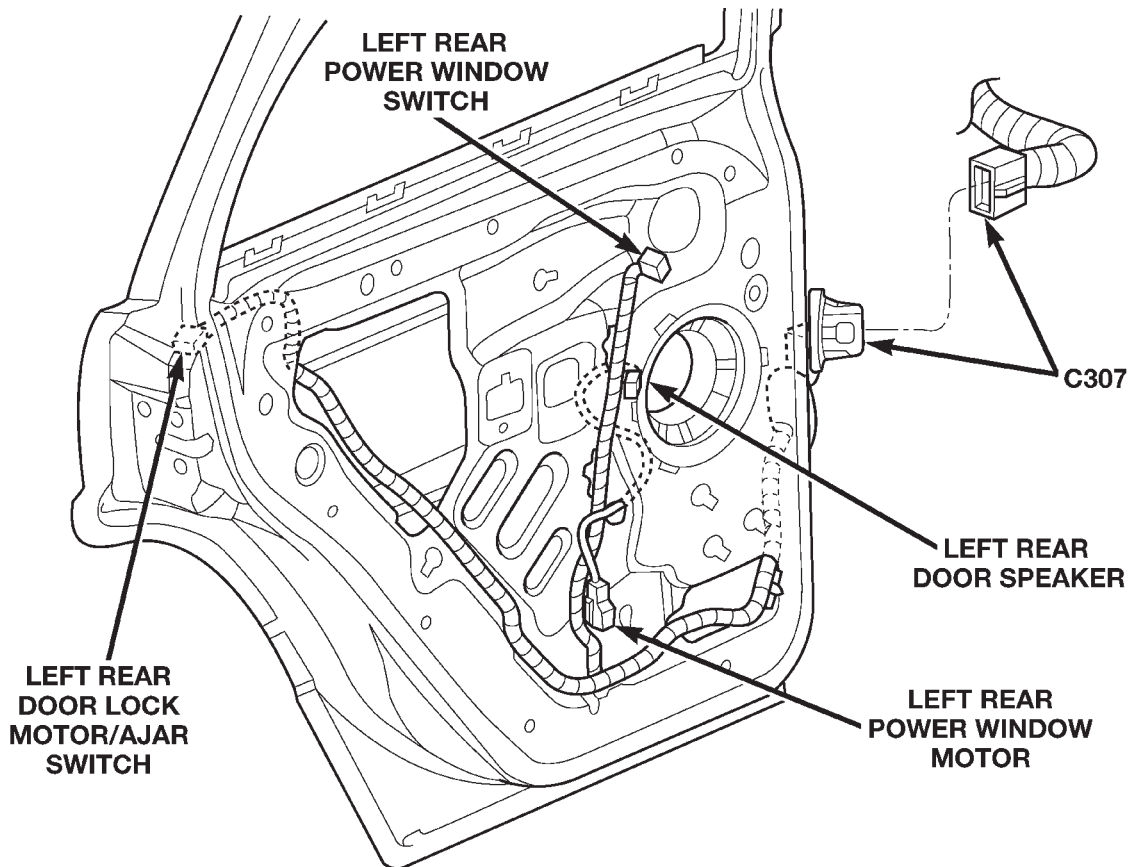
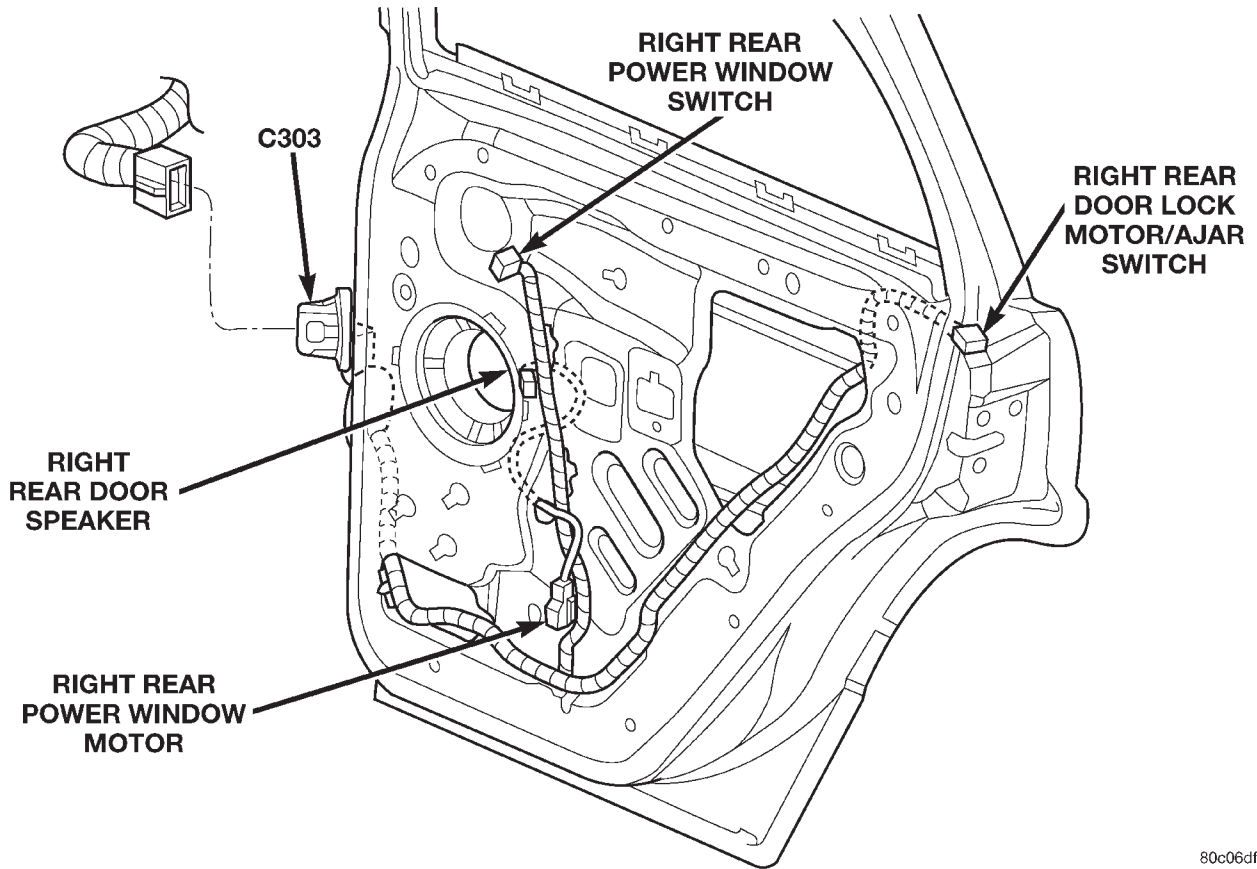


Fig. 29 Left Rear Door Connectors

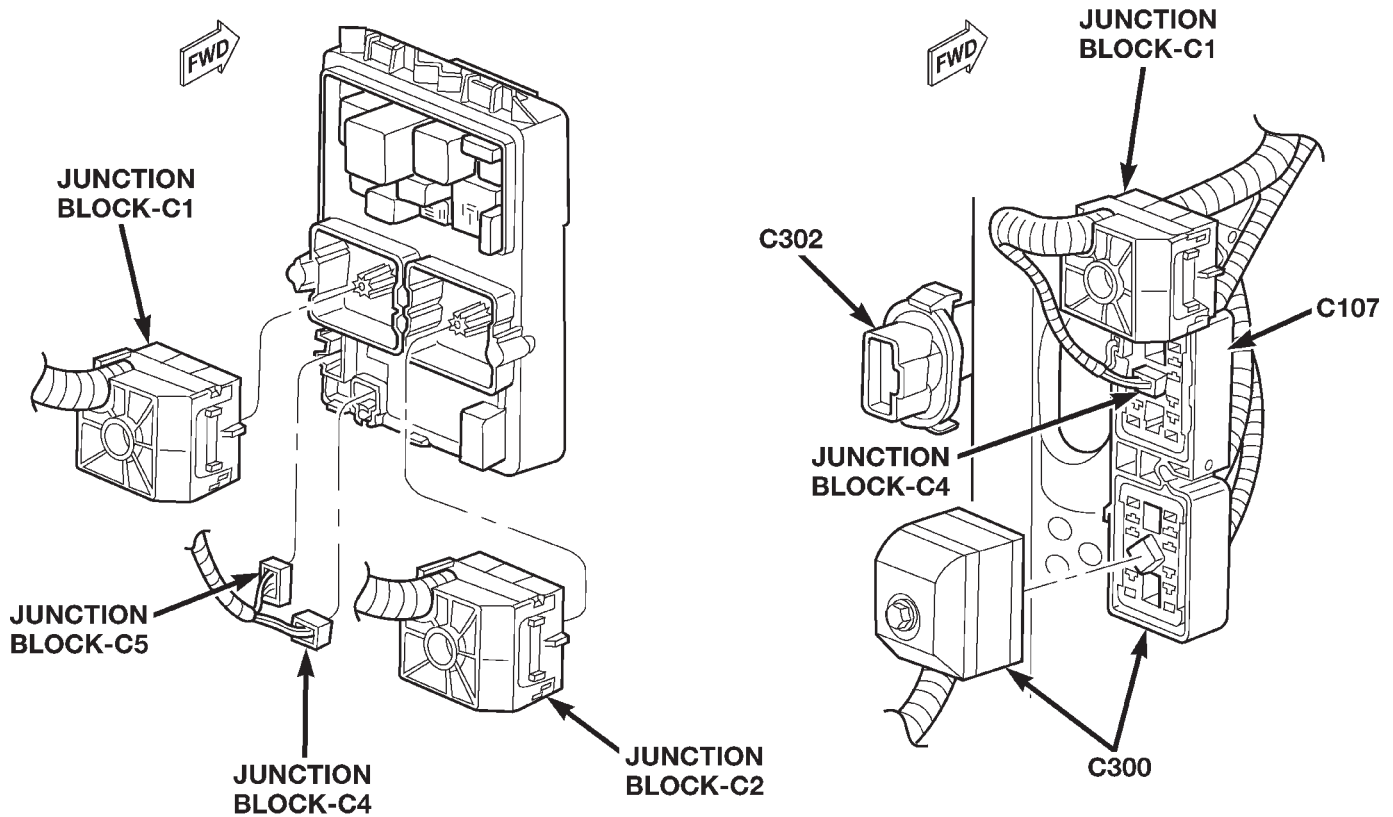
80c06df6

DESCRIPTION AND OPERATION (Continued)



80c06df7

Fig. 30 Right Rear Door Connectors



80bceac4

Fig. 31 Kick Panel Area Connections

DESCRIPTION AND OPERATION (Continued)

80bcceae2

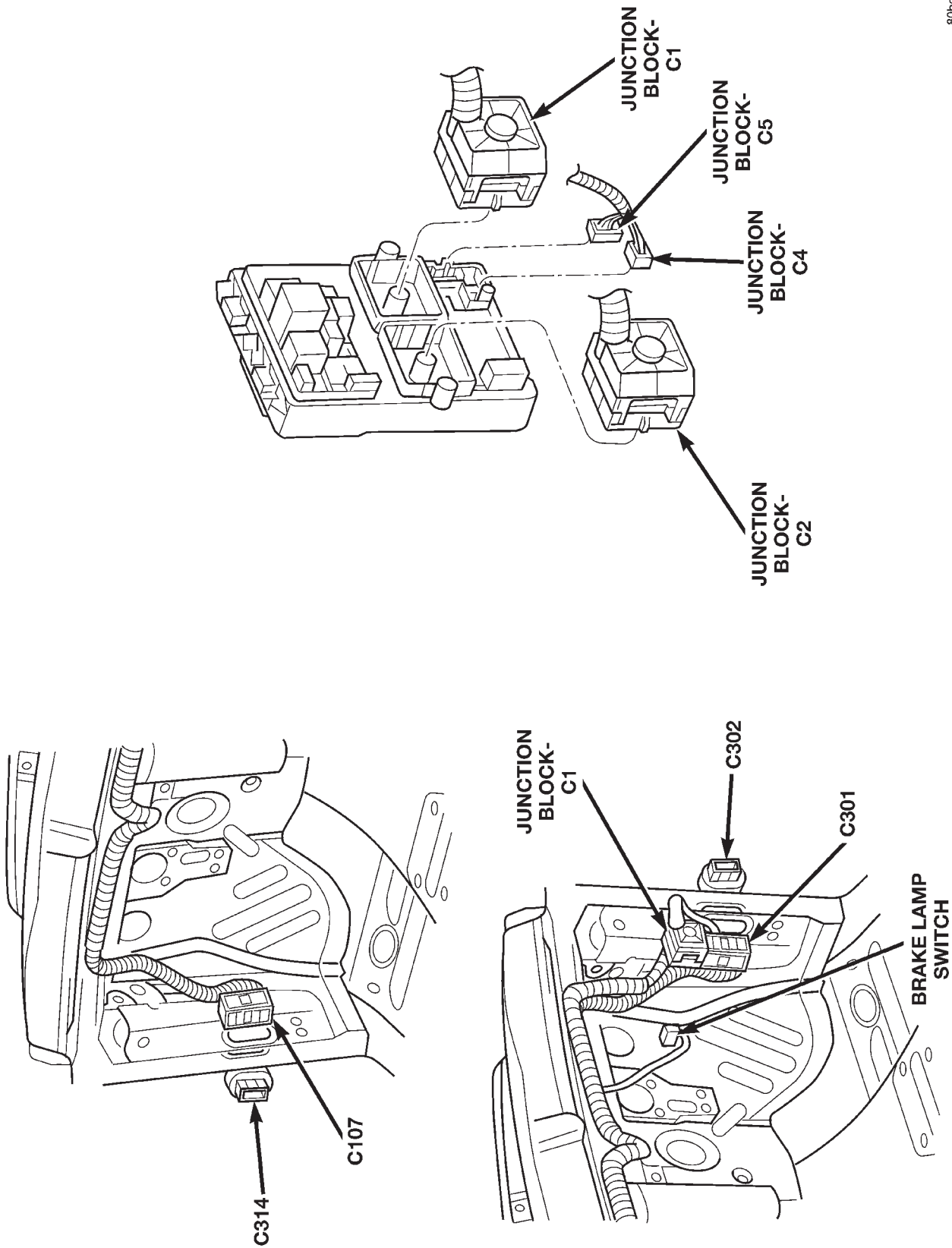
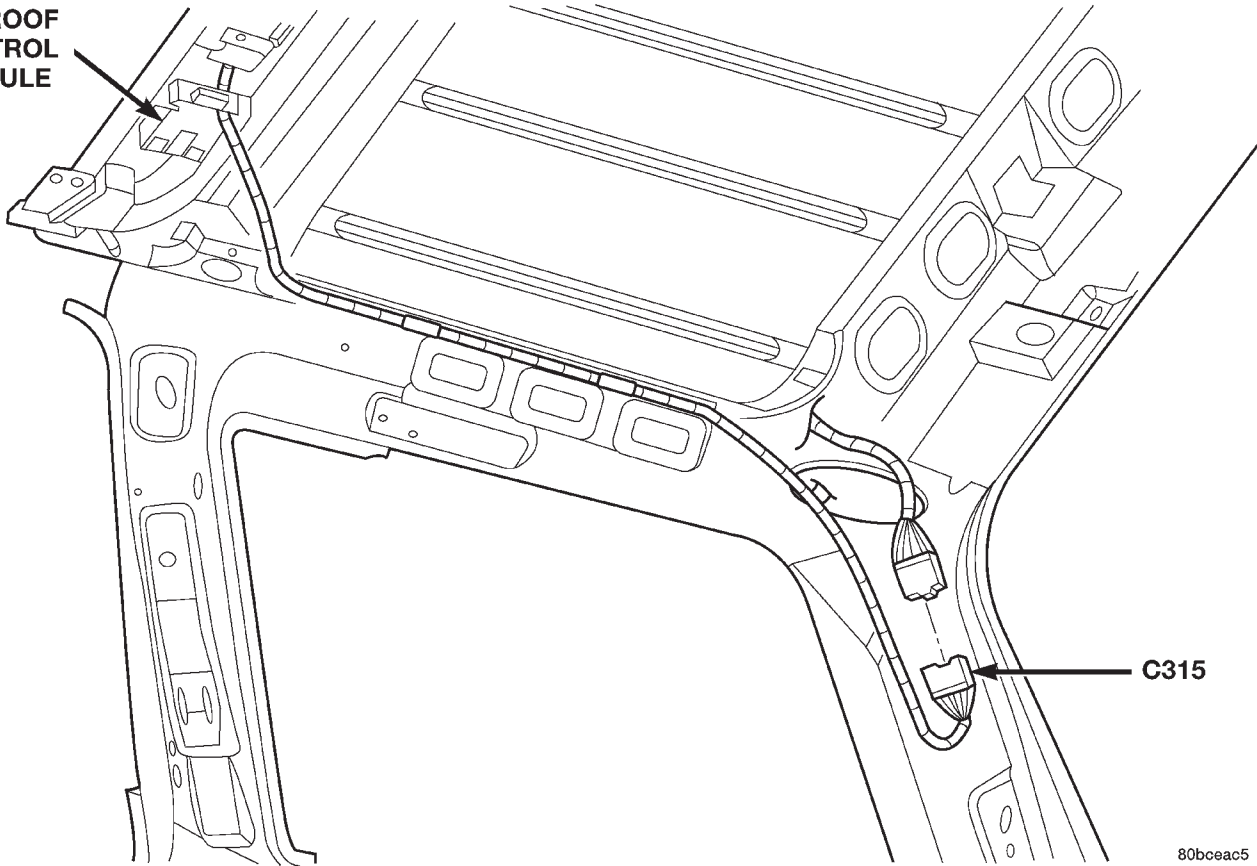


Fig. 32 Kick Panel Area Connections — RHD

DESCRIPTION AND OPERATION (Continued)

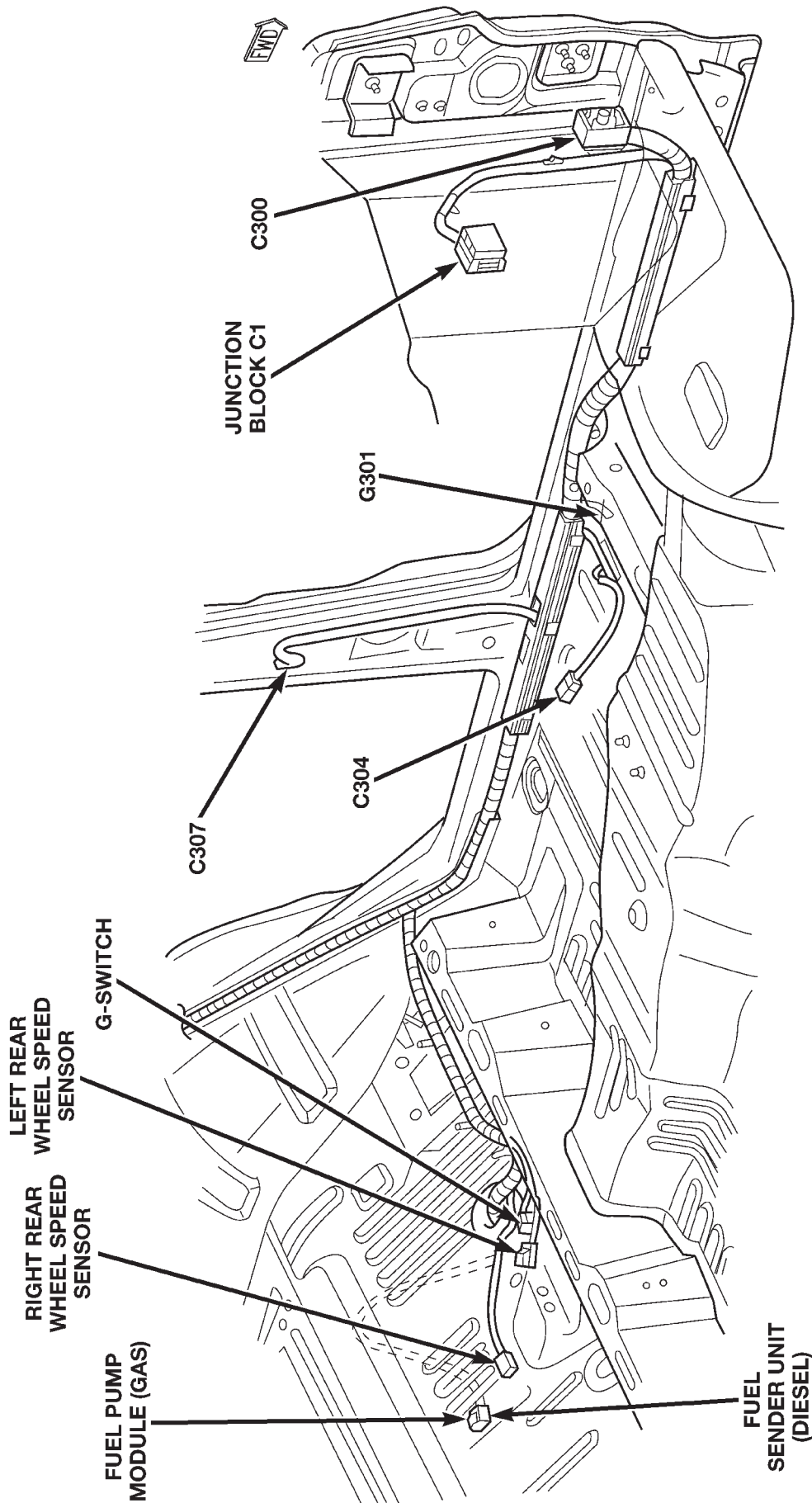
SUNROOF
CONTROL
MODULE



80bceac5

Fig. 33 Roof Connections

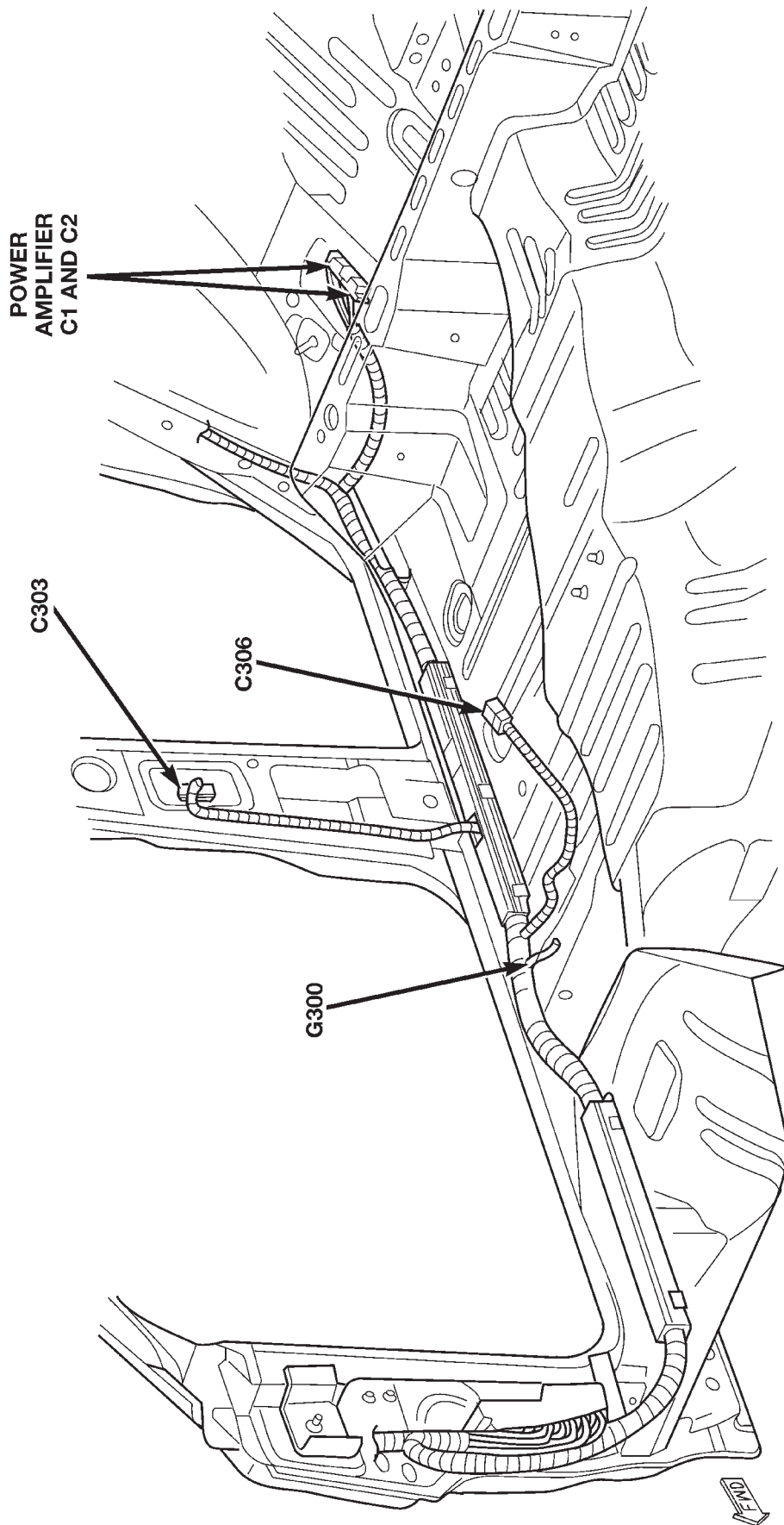
DESCRIPTION AND OPERATION (Continued)



80b195dc

Fig. 34 Body Connectors (Left Side)

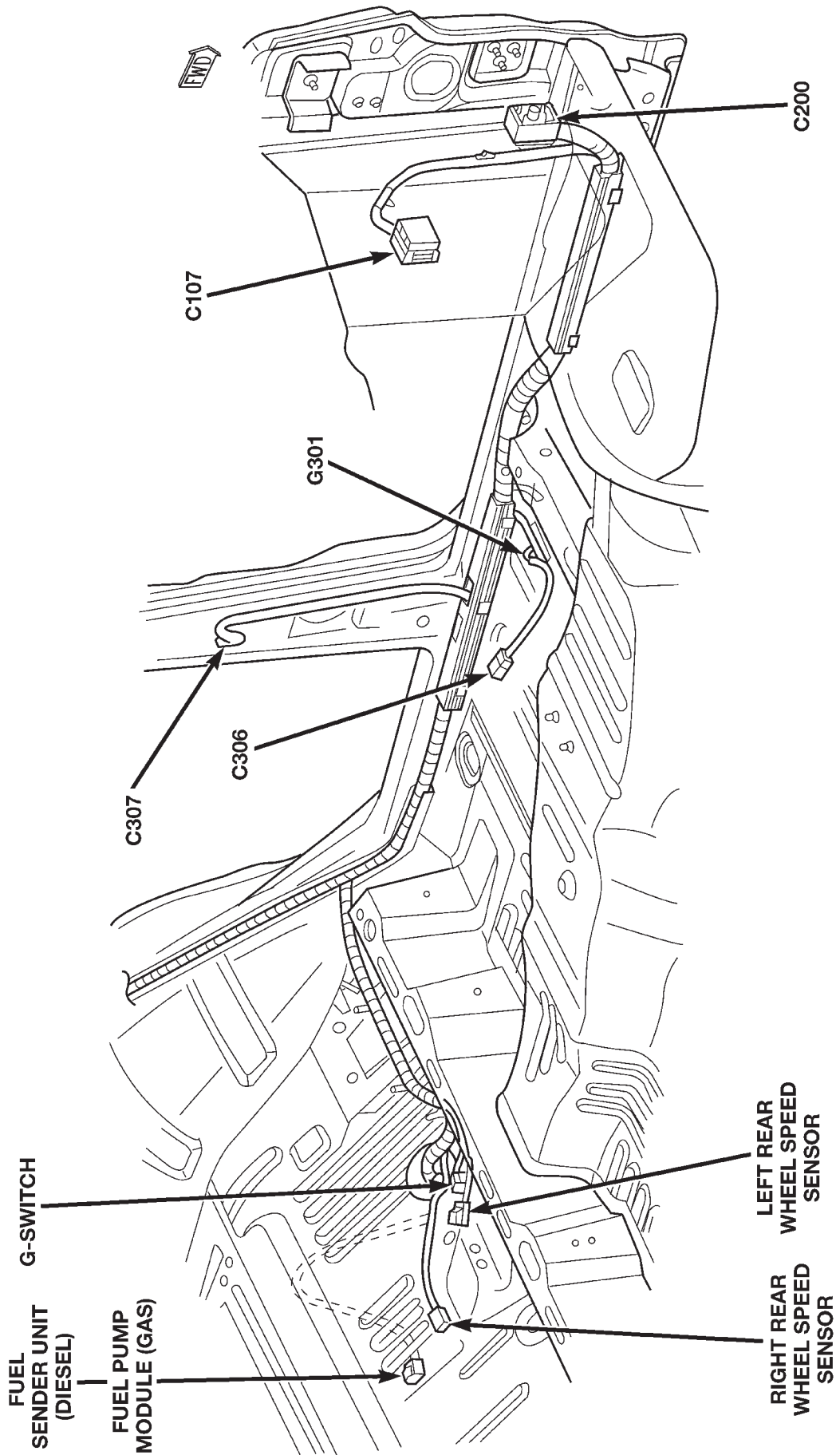
DESCRIPTION AND OPERATION (Continued)



80bbeac7

Fig. 35 Body Connectors (Right Side)

DESCRIPTION AND OPERATION (Continued)



80b196de

Fig. 36 Body Connectors (Left Side) — RHD

DESCRIPTION AND OPERATION (Continued)

80br96df

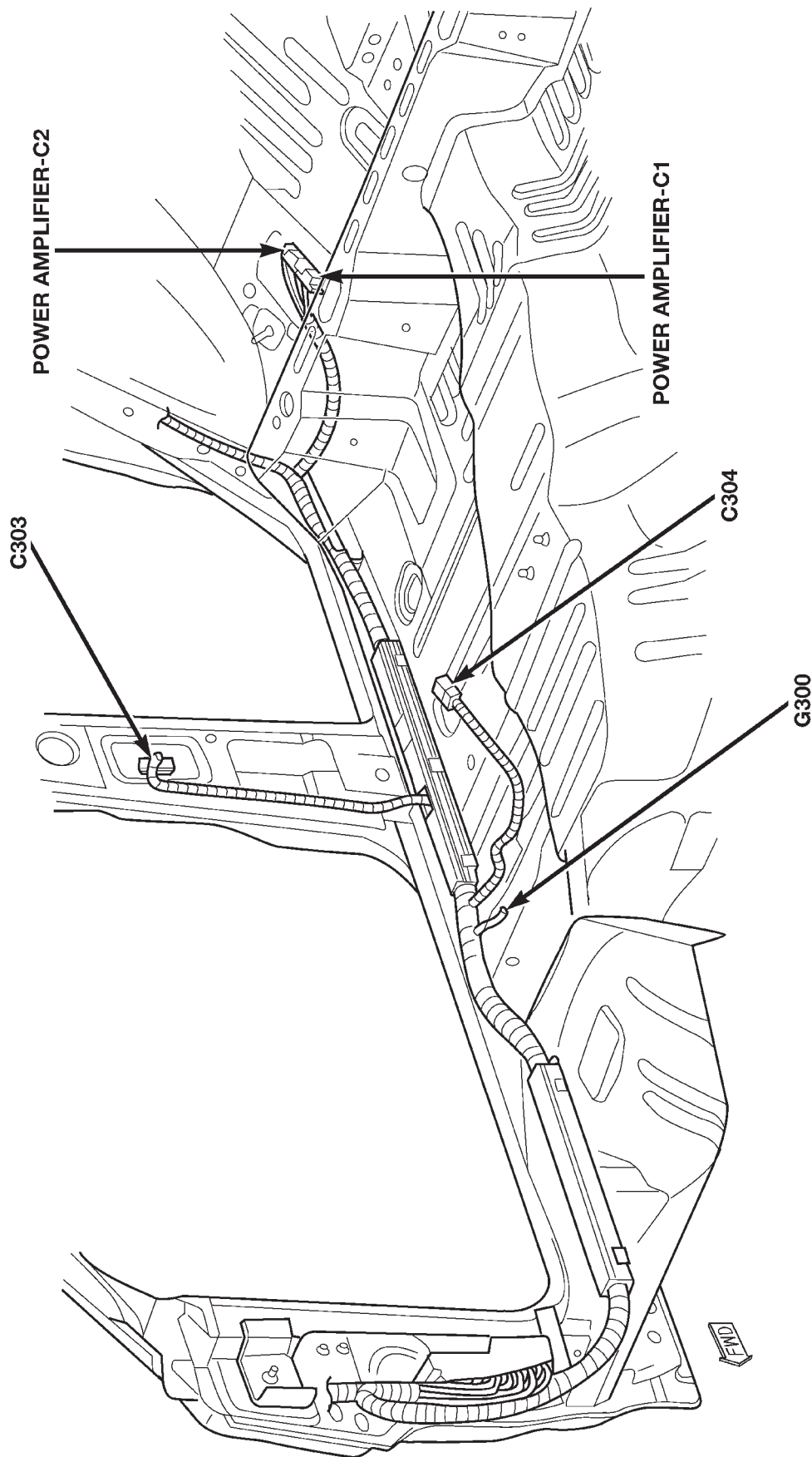


Fig. 37 Body Connectors (Right Side) —RHD

DESCRIPTION AND OPERATION (Continued)

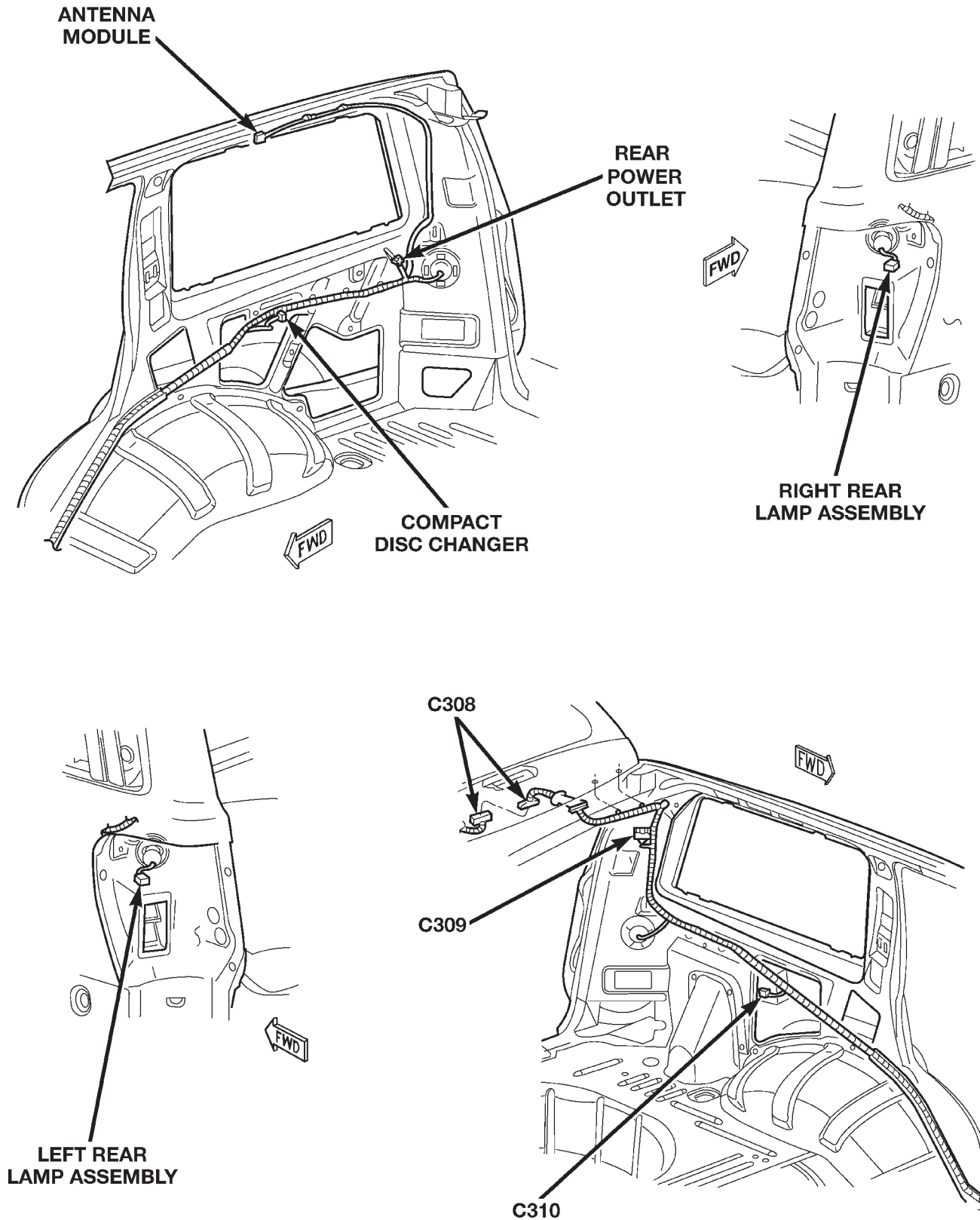
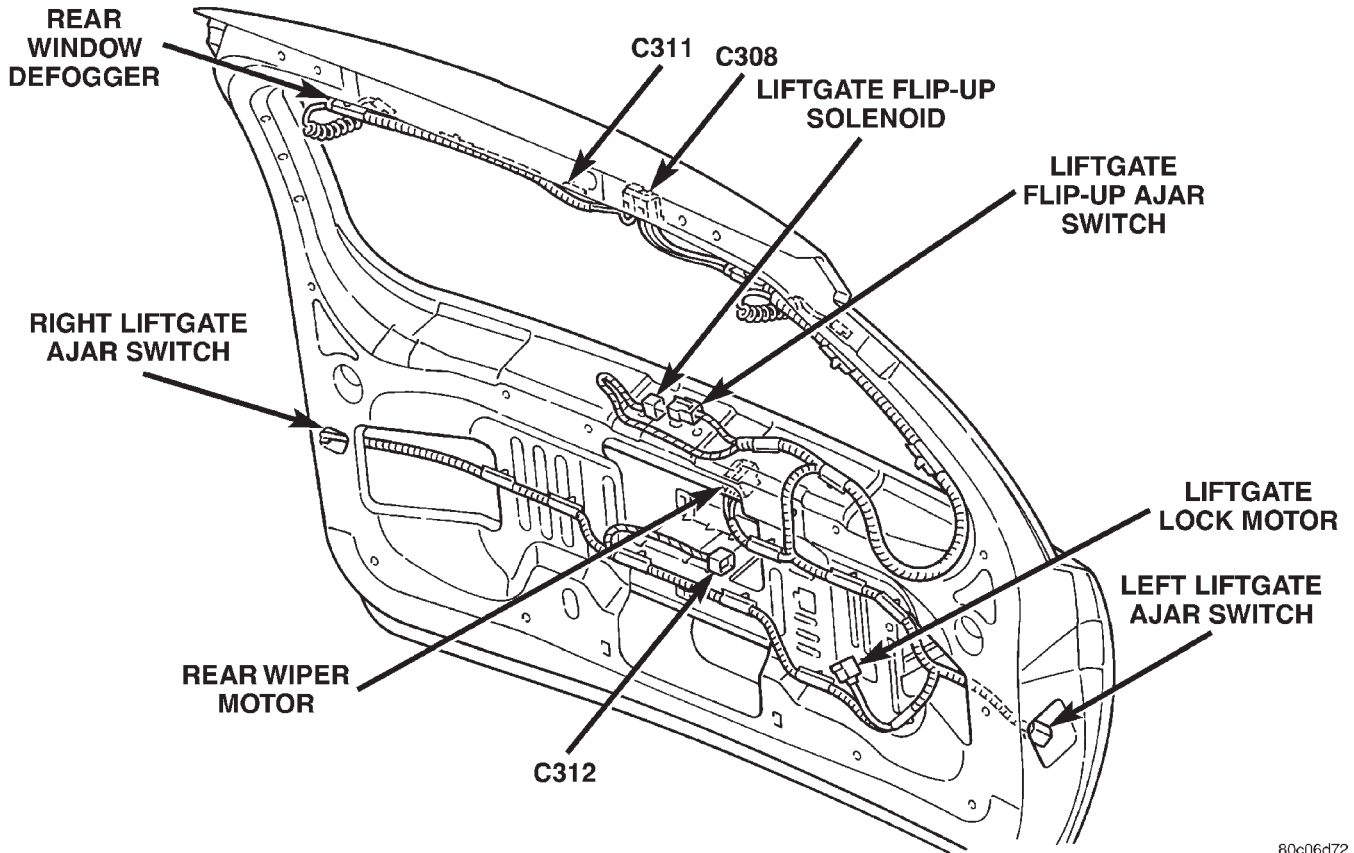


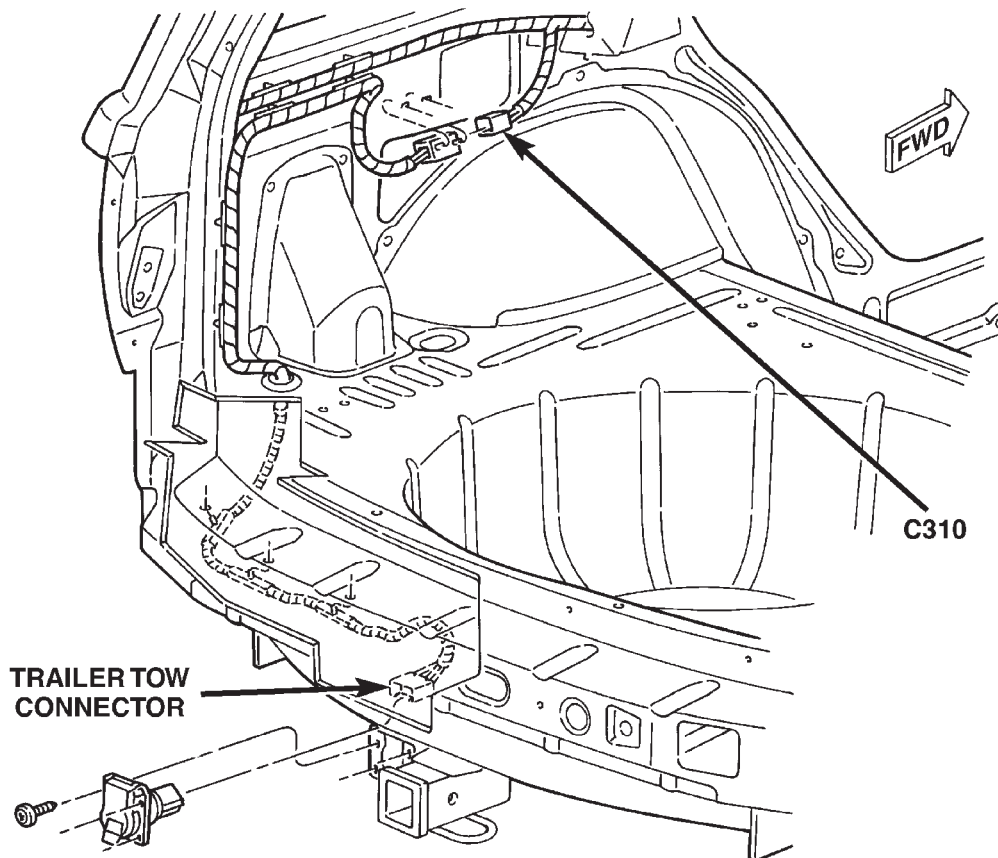
Fig. 38 Body Connectors (Quarter Panels)

DESCRIPTION AND OPERATION (Continued)



80c06d72

Fig. 39 Liftgate Connectors



80b46caa

Fig. 40 Trailer Tow Connectors

8W-95 SPLICE LOCATIONS

DESCRIPTION AND OPERATION

INTRODUCTION

This section provides illustrations identifying the general location of the splices in this vehicle. A splice index is provided. Use the wiring diagrams in each

section for splice number identification. Refer to the index for proper splice number.

SPLICE LOCATIONS

For splices that are not shown in the figures in this section a N/S is placed in the Fig. column.

Splice Number	Location	Fig.
S100	Near T/O for Power Distribution Center Eyelet	N/S
S102 (4.0L)	Near T/O for Rail Coil	6,7
S102 (Diesel)	Near T/O for Park/Neutral Position Switch	9
S103 (4.0L)	Near T/O for Oxygen Sensor 1/1 Upstream	6
S103 (4.7L)	Near T/O for Engine Oil Pressure Switch	1
S104 (4.0L)	In T/O for G104	6, 7
S104 (4.7L)	Near T/O for Oxygen Sensors	3, 4
S105 (4.0L)	Near T/O for Crankshaft Position Sensor	6, 7, 15
S105 (4.7L)	Near T/O for Fuel Injector NO. 7	1, 15
S106 (4.0L)	In T/O for Oxygen Sensors	6, 8
S106 (4.7L)	In T/O for Oxygen Sensors	N/S
S107 (4.0L)	Near T/O for Fuel Injector No.5	5
S107 (4.7L)	Near T/O for Fuel Injector No.7	1, 2
S109 (4.0L)	Near T/O for Fuel Injector No.2	5
S109 (4.7L)	Near T/O for Fuel Injector No.6	2, 3
S112 (4.0L)	Near T/O for C102, C103 and C104	6, 7
S112 (4.7L)	Near T/O for Fuel Injector No.8	2, 3
S112 (Diesel)	Near T/O for Pedal Position Sensor	9

Splice Number	Location	Fig.
S113 (4.7L)	Near T/O for Transmission Control Module	2, 3, 15
S114 (4.7L)	Near T/O for Transmission Control Module	2, 3, 15
S115 (4.7L)	Near T/O for Transmission Control Module	2, 3, 15
S116 (4.7L)	Near T/O for C102, C103 and C104	2, 3, 15
S117 (4.7L)	Near T/O for C102, C103 and C104	2, 3
S117 (Diesel)	Near T/O for Fuel Sender Unit	10
S118 (4.7L)	Near T/O for Fuel Injector No.4	2, 3, 15
S118 (Diesel)	Near T/O for Fuel Sender Unit	10
S119 (4.7L)	In T/O for Crankshaft Position Sensor	3, 15
S120 (4.7L)	Near T/O for Crankshaft Position Sensor	3, 15
S121 (4.7L)	Near T/O for Idle Air Control Motor	1
S122 (4.0L)	Near T/O for Rail Coil	6, 7, 15
S122 (4.7L)	Near T/O for Oxygen Sensors	3, 4, 15
S122 (Diesel)	Near T/O for Generator	9
S124 (4.7L)	Near T/O for Idle Air Control Motor	1
S125 (Diesel)	In T/O for C103 and C105 Left Rear of Engine Compartment	11
S125 (Gas)	Near T/O for Powertrain Control Module - C3	13
S126 (4.0L)	In Trough Near T/O for Powertrain Control Module - C3	13, 14

DESCRIPTION AND OPERATION (Continued)

Splice Number	Location	Fig.
S127	In Trough Near T/O for Powertrain Control Module - C3	13, 14
S127 (Diesel)	In Trough Near T/O for Powertrain Control Module - C3	12, 14
S128 (Diesel)	In T/O for C102 Left Rear of Engine Compartment	13, 14
S128 (Gas)	In Trough Near T/O for Powertrain Control Module - C3	13, 14
S130	In T/O for Powertrain Control Module - C3	12
S131	In Trough Near T/O for Power Distribution Center	12, 13, 14
S131 (Diesel)	In Trough Near T/O for Power Distribution Center	11, 12
S132 (Diesel)	Near T/O for EGR Solenoid	13, 14
S132 (Gas)	Between Troughs in Right Engine Compartment	13, 14
S133 (Diesel)	In Trough Near T/O for EGR Solenoid	13, 14
S133 (Gas)	Near T/O for Battery Temperature Sensor	13, 14
S134 (Diesel)	In Trough Near T/O for G106	11, 12
S134 (Gas)	In Trough Near T/O for Controller Anti-Lock Brake	11, 12
S135 (Diesel)	In Glow Plug Harness	N/S
S136 (Diesel)	In Glow Plug Harness	N/S
S137 (Diesel)	In Trough Near T/O for Coolant Level Sensor	13, 14
S138 (Diesel)	In T/O for C102, C103 and C105	N/S
S139 (Diesel)	Near T/O for Crankshaft Position Sensor	9
S140 (Diesel)	In Trough Near T/O for Power Distribution Center	11, 12
S141 (Gas)	In Trough Near T/O for Power Distribution Center	12
S142 (Built-Up-Export)	In Trough Near T/O for Coolant Level Sensor	13, 14
S143 (Diesel)	In Trough Near T/O for Hood Ajar Switch	11, 12

Splice Number	Location	Fig.
S143 (Gas, Built-Up-Export)	In Trough Near T/O for Controller Anti-Lock Brake	11
S144 (Diesel)	In T/O for C102, C103 and C105	9
S145 (Diesel)	Near T/O for Fuel Sender Unit	10
S146 (Diesel)	In T/O for Engine Control Module - C2	10
S147 (Diesel)	In T/O for Controller Anti-Lock Brake	12
S148 (Diesel)	In T/O for Engine Control Module - C2	10
S149 (Diesel)	In T/O for C103 Left Rear of Engine Compartment	N/S
S150 (Diesel)	In T/O for C105 Left Rear of Engine Compartment	N/S
S151	In Headlamp Assembly	N/S
S152	In Headlamp Assembly	N/S
S153	In Headlamp Assembly	N/S
S154	In Headlamp Assembly	N/S
S155	In Headlamp Assembly	N/S
S156	In Headlamp Assembly	N/S
S200	Near T/O for Passenger Heated Seat Switch	16
S200 (RHD)	Upper Center Instrument Panel	17
S201	Near T/O for Front Power Outlet	16
S201 (RHD)	Near T/O for Power Connector	17
S202	Near T/O for Passenger Heated Seat Switch	16
S202 (RHD)	Upper Center Instrument Panel	17
S203	Near T/O for Cigar Lighter	16
S203 (RHD)	Lower Center Instrument Panel	17
S204	In Trough Near T/O for Power Connector	16
S204 (RHD)	Right Center Instrument Panel	17
S205	In Trough Near T/O for Power Connector	16
S205 (RHD)	Upper Center Instrument Panel	17

DESCRIPTION AND OPERATION (Continued)

Splice Number	Location	Fig.
S206	In Trough Opposite End of Power Connector	16
S206 (RHD)	Upper Center Instrument Panel	17
S207	In Trough Near T/O for Radio Connectors	16
S207 (RHD)	Upper Center Instrument Panel	17
S208	In Trough Near T/O for Radio Connectors	16
S208 (RHD)	Upper Center Instrument Panel	17
S209	In Trough Near T/O for Left Courtesy Lamp	16
S209 (RHD)	Lower Center Instrument Panel	17
S210	In Trough Near T/O for Left Courtesy Lamp	16
S210 (RHD)	Lower Center Instrument Panel	17
S211	In Trough Near T/O for Left Courtesy Lamp	16
S211 (RHD)	Right Side of Instrument Panel	17
S212	In Trough Near T/O for Left Courtesy Lamp	16
S212 (RHD)	Right Center Instrument Panel	17
S213	Near T/O for Cruise Switch No.1	N/S
S214	Near T/O for Cruise Switch No.1	N/S
S215	Near T/O for Horn Switch	N/S
S216	Near T/O for Remote Radio Switch No.2	N/S
S217 (RHD)	Lower Center Instrument Panel	17
S218 (RHD)	Lower Center Instrument Panel	17
S219 (RHD)	Upper Center Instrument Panel	17
S220 (RHD)	Upper Center Instrument Panel	17
S300	Near T/O for G301	19
S301	In T/O for C304	19
S302	In Sill Trough Near T/O for C307	19
S303	In Sill Trough Near T/O for C307	19, 22

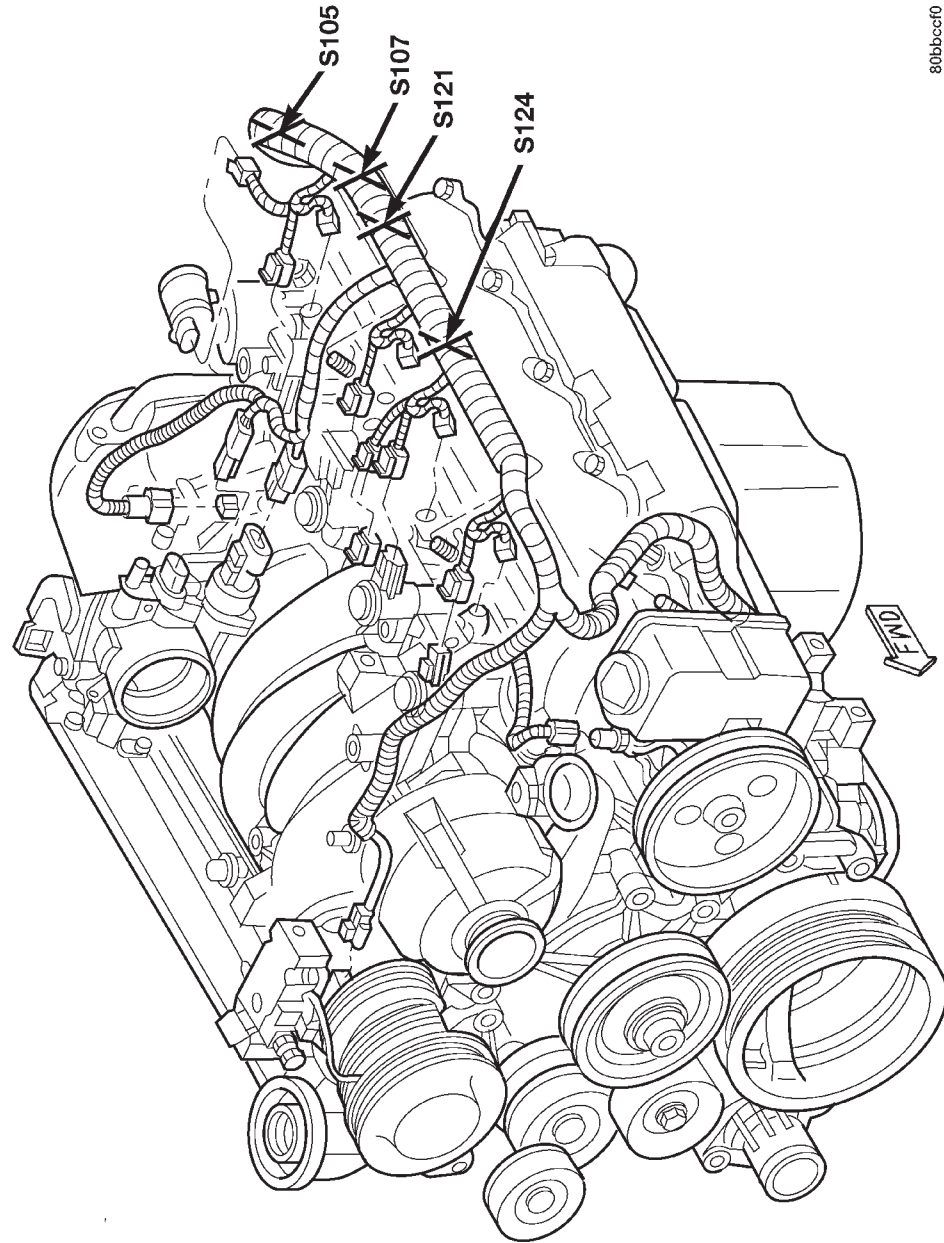
Splice Number	Location	Fig.
S304	In Sill Trough Near T/O for C307	19, 22
S305	In Sill Trough Near T/O for C307	19
S306	Near T/O for C310	22, 28
S307	Near T/O for C310	28
S308	Between T/O's for C310 and Left Rear Lamp Assembly	23, 28
S309	Between T/O's for C310 and Left Rear Lamp Assembly	28
S310	Between T/O's for C310 and Left Rear Lamp Assembly	22, 28
S311	Near T/O for Left Rear Lamp Assembly	14, 28
S312	Near T/O for Brake Lamp Switch	18, 22
S313	Near T/O for Brake Lamp Switch	18, 22
S314	Near T/O for Brake Lamp Switch	18, 21
S315 (Gas)	In Center Spline Near T/O for Brake Lamp Switch	18, 21
S316 (Gas)	In Center Spline Trough Side	18
S317	Between Troughs Near T/O for C314	18
S318	Between Troughs Near T/O for C314	18
S324	In T/O for C200	20, 21
S325 (Gas)	Near T/O for Junction Block - C5	18
S326	Between T/O for C106 and Sill Trough	20, 22
S327	Between T/O for C106 and Sill Trough	20, 22
S328	Between T/O for C106 and Sill Trough	20
S329	In Sill Trough Near T/O for G300	20
S330	Near T/O for C306	20
S331	In Sill Trough Near T/O for C303	20, 23
S332	In Sill Trough Near T/O for C303	20, 23
S333	In Center Spline Near T/O for Brake Lamp Switch	21, 23

DESCRIPTION AND OPERATION (Continued)

Splice Number	Location	Fig.
S334	In T/O for Power Amplifier - C1	20, 23
S335	Near T/O for Compact Disk Changer	N/S
S336	Near T/O for Driver Power Window Motor	24
S338	Near T/O for Passenger Power Window Motor	25
S339	Near T/O for Passenger Power Window Motor	25
S340	In T/O for Passenger Door Module - C1	25
S341	Near T/O for C306	N/S
S342	Near T/O for C306	N/S
S345	Near T/O for Left Handle Courtesy Lamp	N/S
S346	Near T/O for Left Visor/Vanity Lamp	N/S
S347	Near T/O for Left Visor/Vanity Lamp	N/S
S348	Near T/O for Automatic Day/Night Mirror	N/S
S349	Near T/O for Automatic Day/Night Mirror	N/S
S351	Near T/O for Seat Belt Switch	N/S
S352	Near T/O for Seat Belt Switch	N/S
S353	Near T/O for Driver Lumbar Switch	N/S
S355	Near T/O for C304 and C306	N/S
S356	In T/O for Left Rear Door Lock Motor/Ajar Switch	26
S357	In T/O for Right Rear Door Lock Motor/Ajar Switch	26
S358	Near Left B Pillar Sill Trough	22
S359	Near T/O for C106	18, 20, 21
S360	In T/O for C302	18

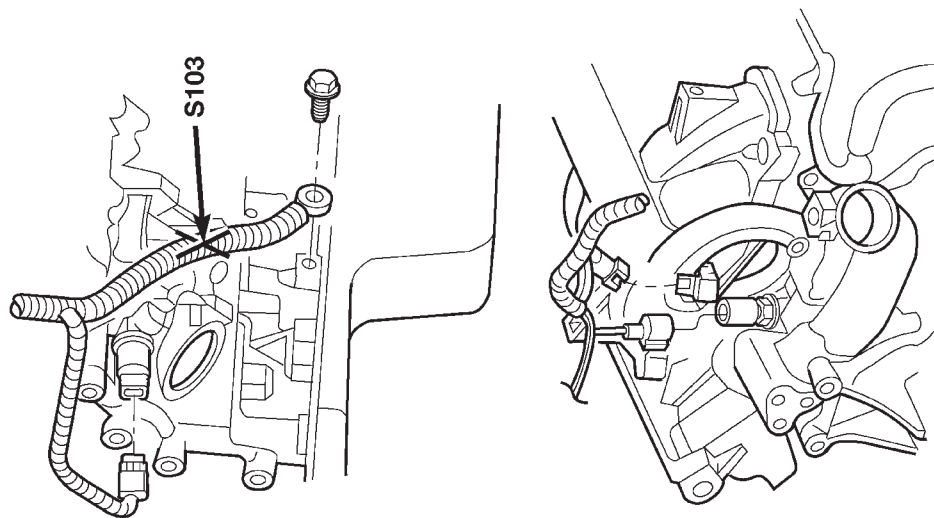
Splice Number	Location	Fig.
S361	In T/O for C302	18
S362	In T/O for C200	20
S363	In T/O for C200	20
S364	Near B Pillar Sill Trough	23
S365	Near T/O for Remote Keyless Entry Module	24
S366	Near T/O for Junction Block C1	21
S367 (RHD)	Near T/O for C310	28
S368	Near T/O for Power Amplifier - C1	20
S370	Near T/O for Sunroof Module	27
S400	Near Rear Window Defogger Ground Connector	29
S401	Near Rear Window Defogger Ground Connector	29
S402	Near T/O for Liftgate Flip-Up Ajar Switch	29
S403	Near T/O for Rear Wiper Motor	29
S404	Near T/O for Liftgate Lock Motor	29
S406 (Except Built-Up-Export)	In T/O for Trailer Tow Right Turn Relay	N/S
S407 (Except Built-Up-Export)	Near T/O for Trailer Tow Left Turn Relay	N/S
S408	Near T/O for Trailer Tow Circuit Breaker	28
S409	In T/O for C310	28
S410	In T/O for Trailer Tow Connector	28
S411	Near T/O for License Lamp No.1	N/S
S412	In T/O for C312	N/S
S413 (Built-Up-Export)	Near T/O for Trailer Tow Brake Lamp Relay	N/S

DESCRIPTION AND OPERATION (Continued)

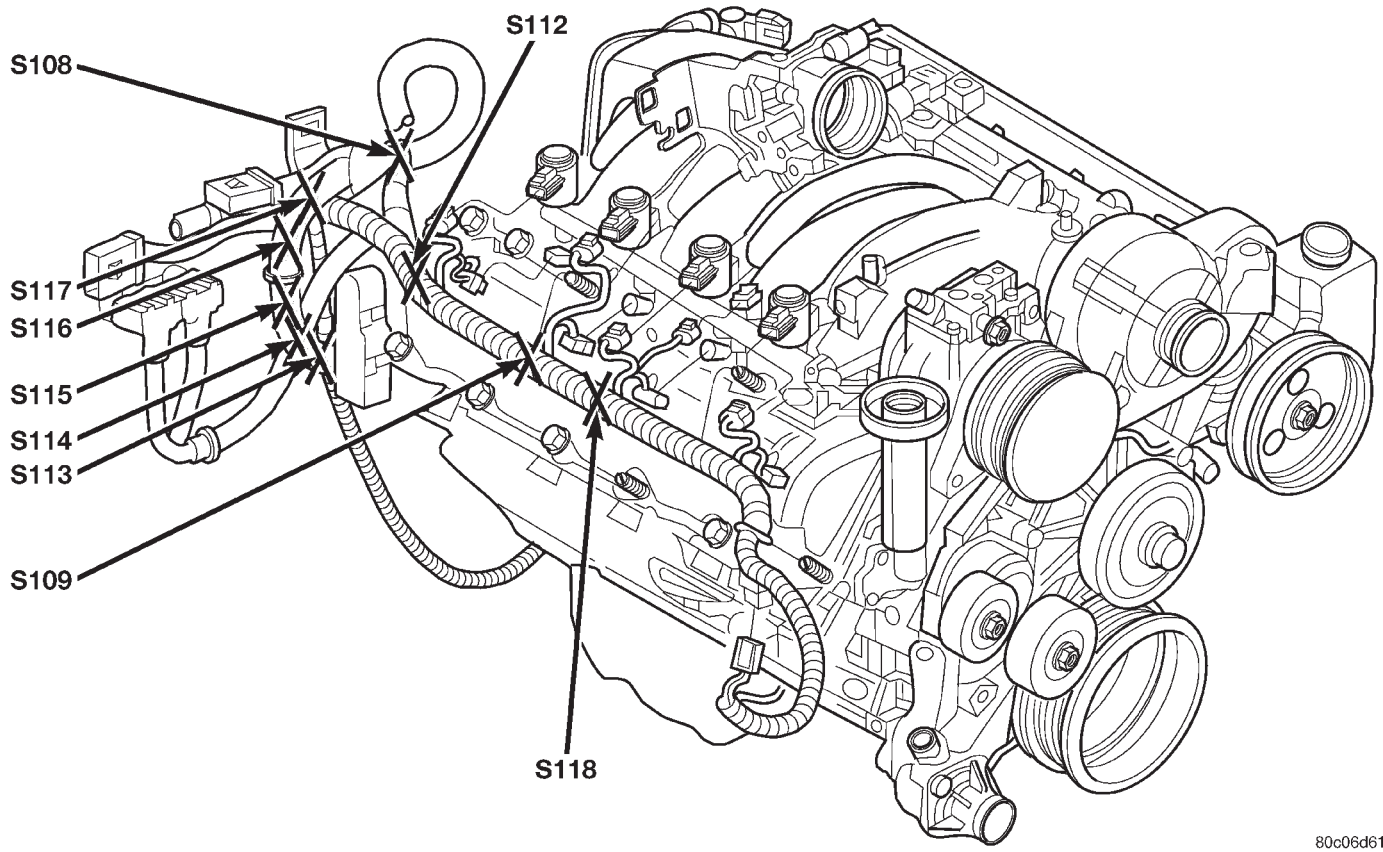


80bbccf0

Fig. 1 Engine Splices (4.7L)



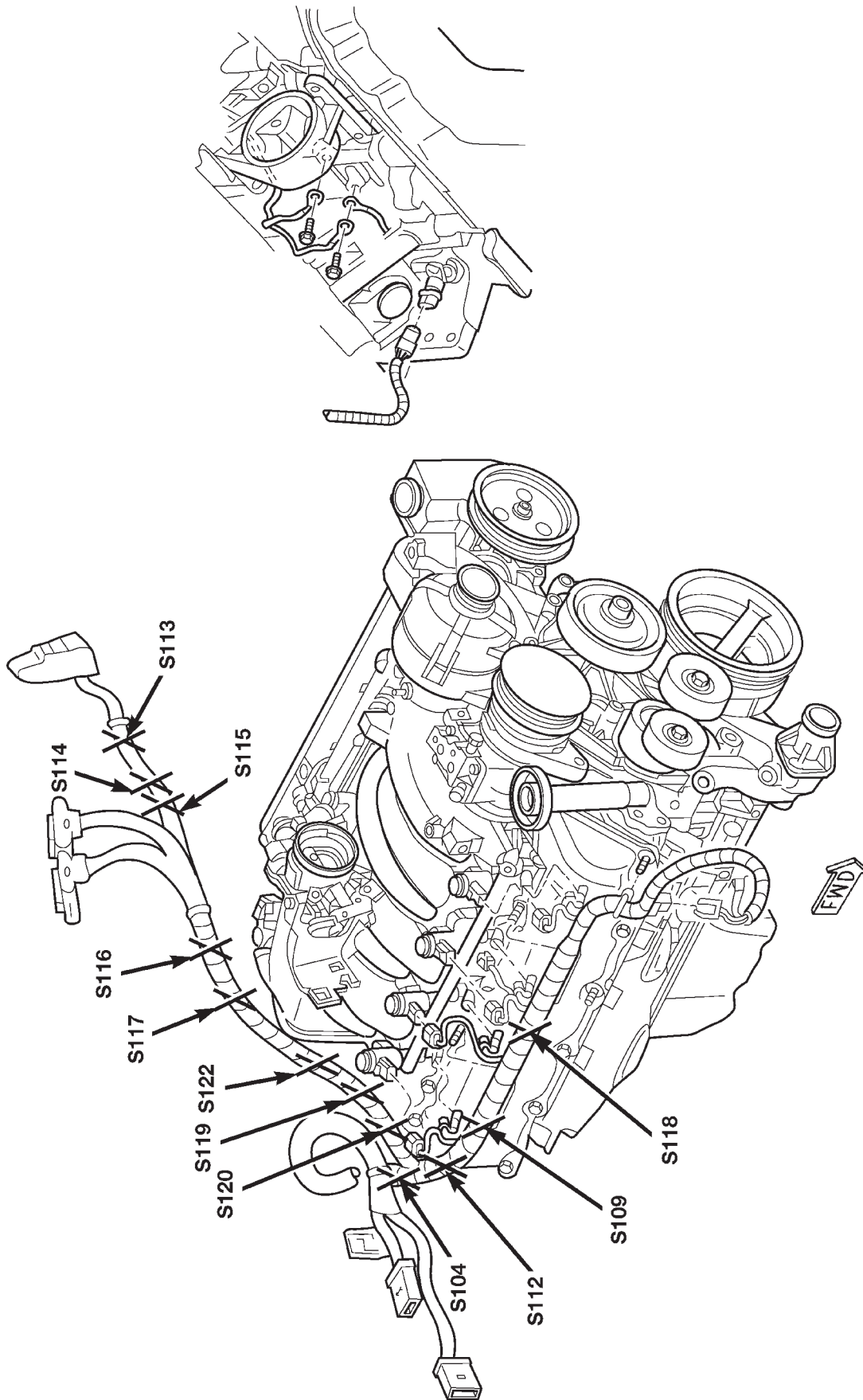
DESCRIPTION AND OPERATION (Continued)



80c06d61

Fig. 2 Engine splices (4.7L)

DESCRIPTION AND OPERATION (Continued)



80b196e0

Fig. 3 Engine Splices (4.7L) RHD

DESCRIPTION AND OPERATION (Continued)

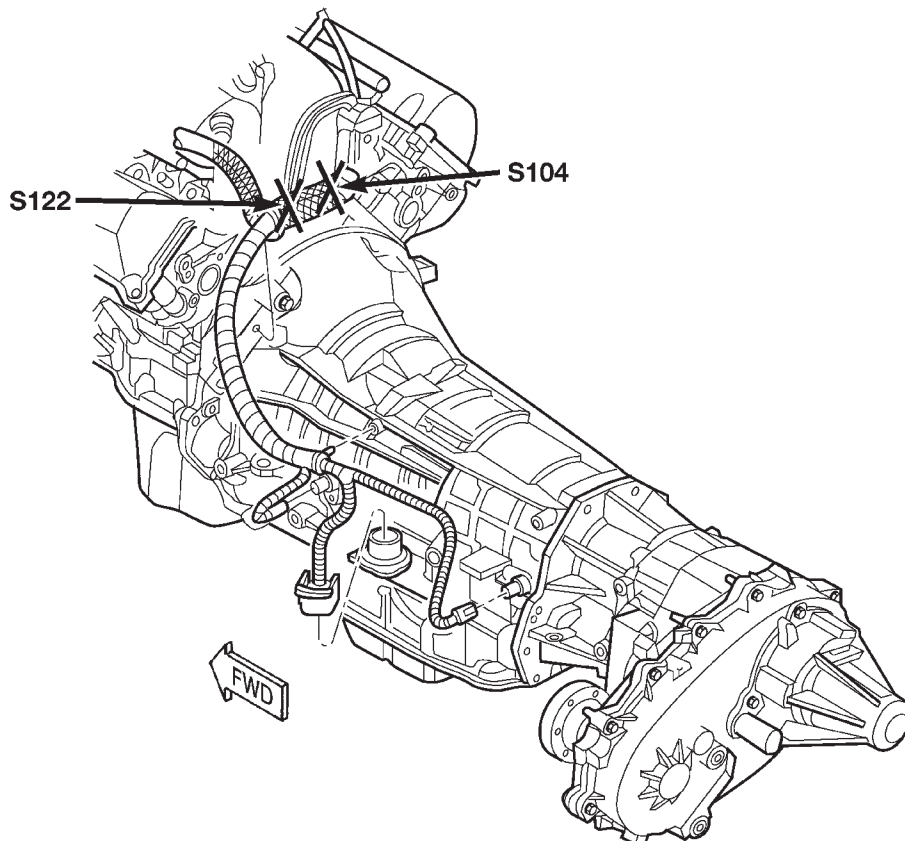


Fig. 4 Transmission Splices (4.7L)

80b46cb2

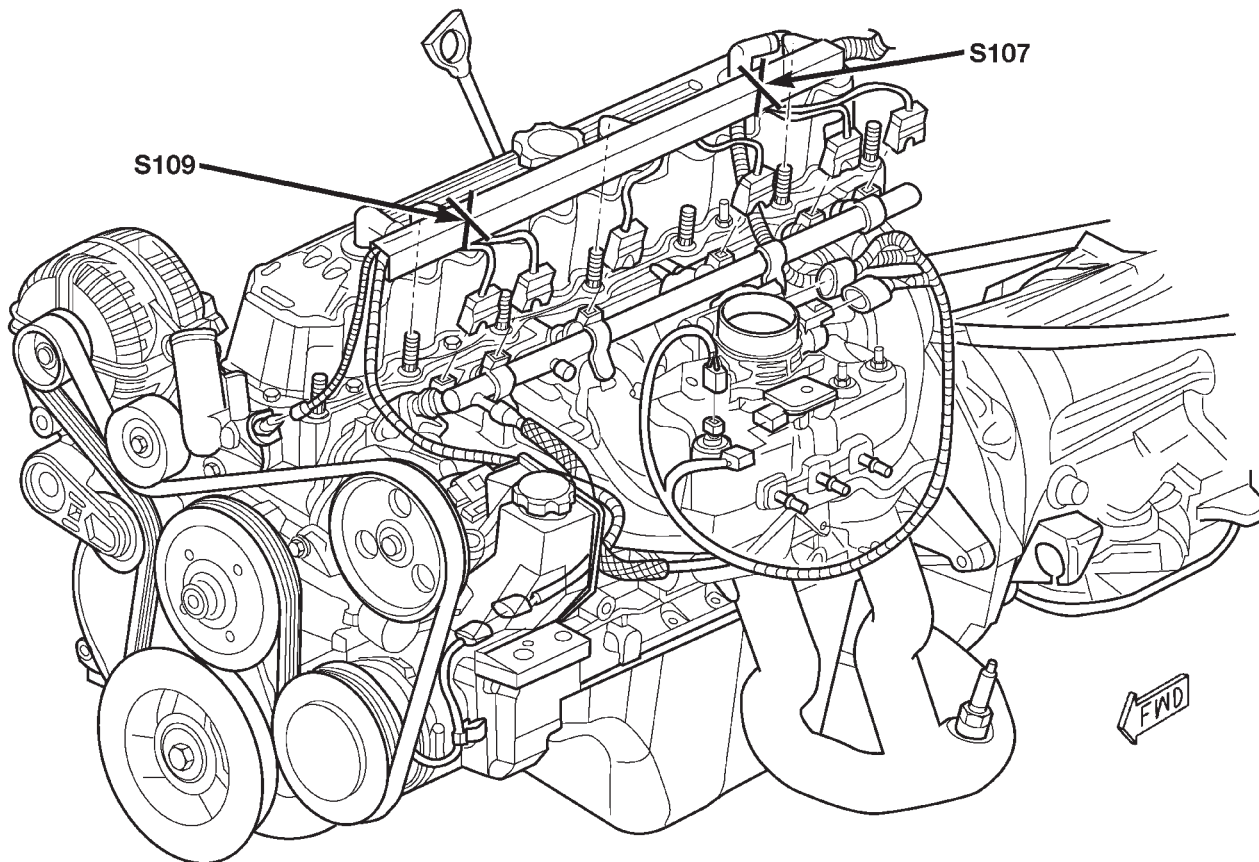
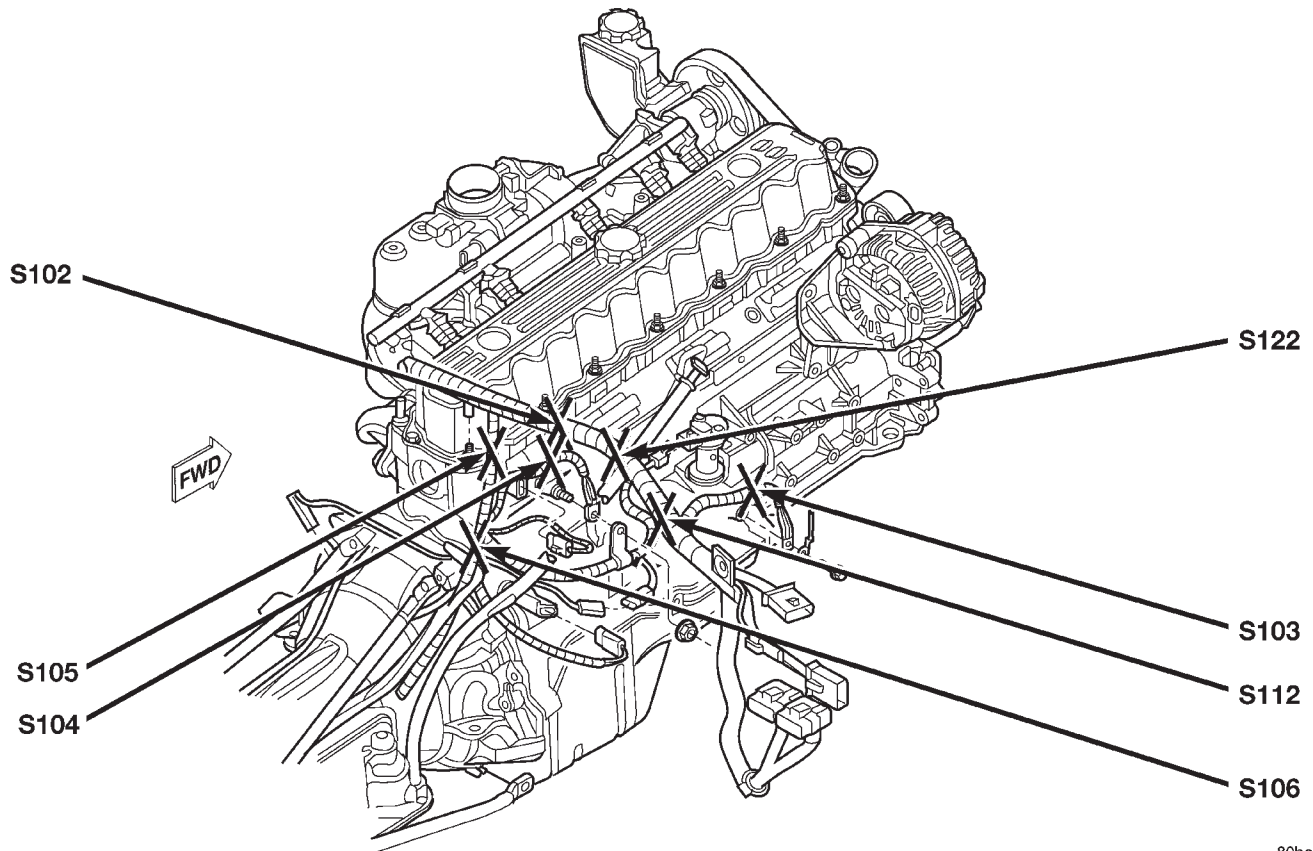


Fig. 5 Engine Splices (4.0L)

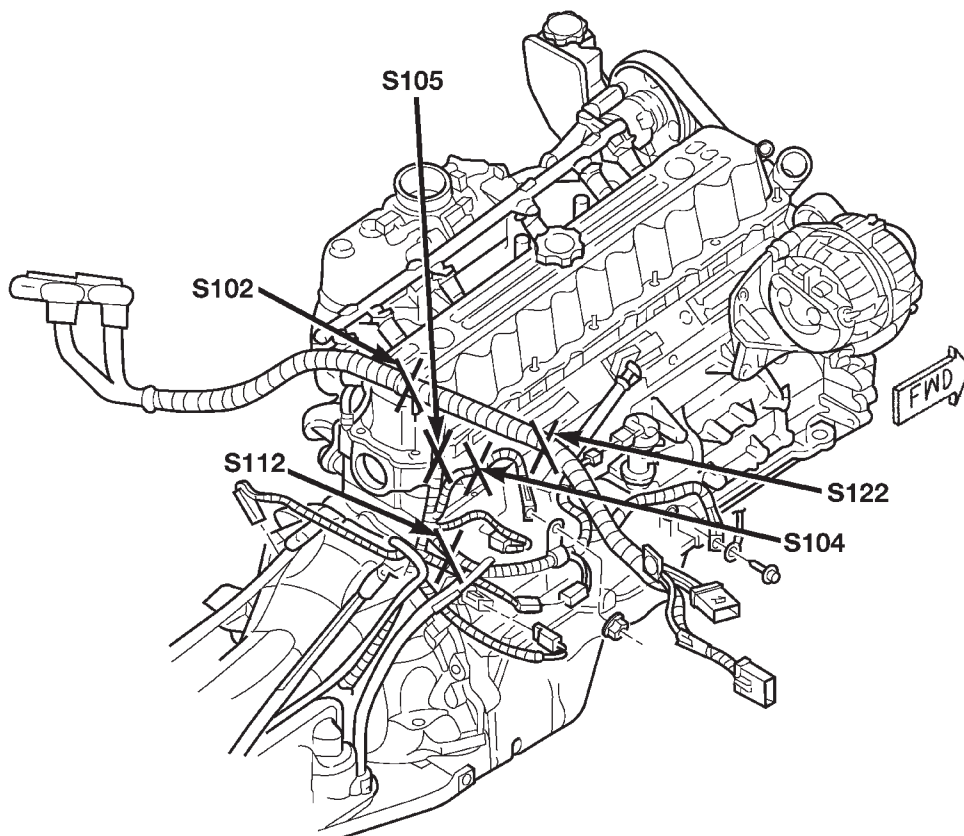
80bceaf1

DESCRIPTION AND OPERATION (Continued)



80bceaf2

Fig. 6 Engine Splices (4.0L)



80c06e71

Fig. 7 Engine Splices (4.0L) RHD

DESCRIPTION AND OPERATION (Continued)

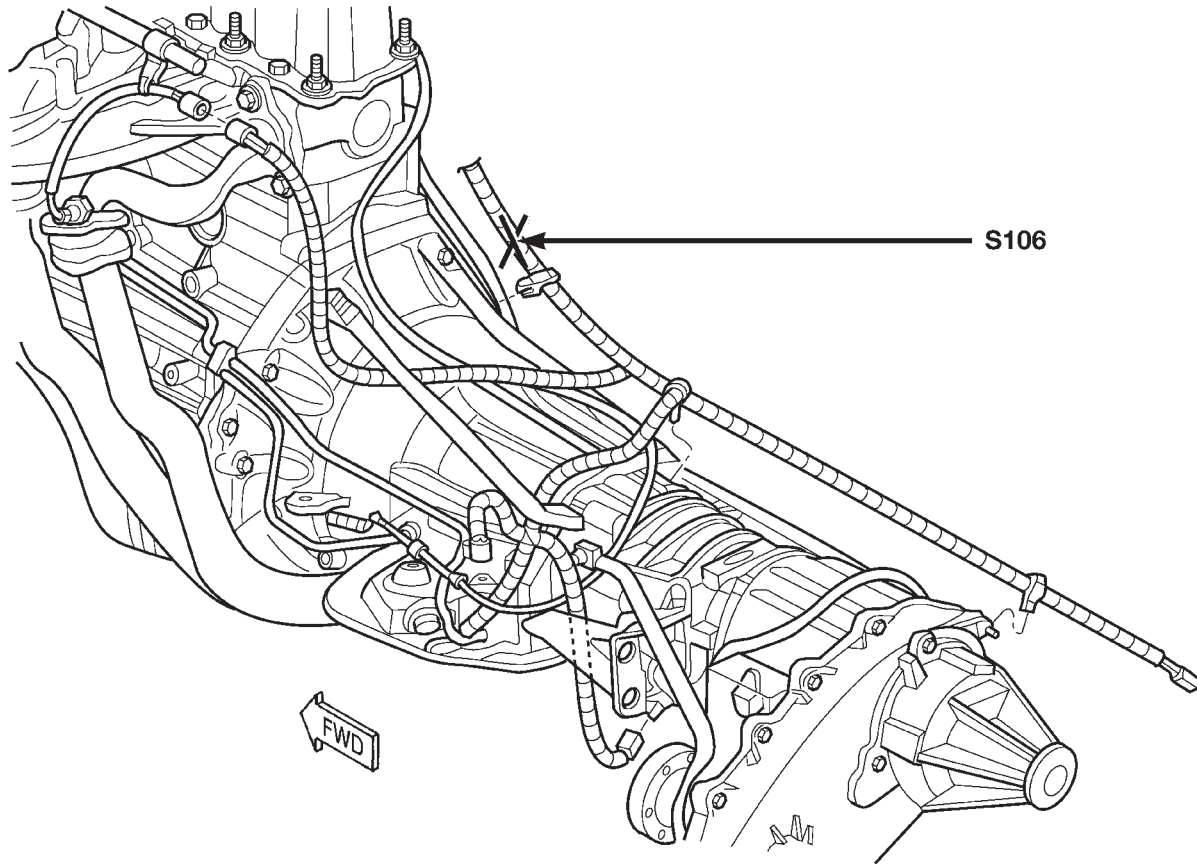


Fig. 8 Transmission Splices (4.0L)

80bceafe

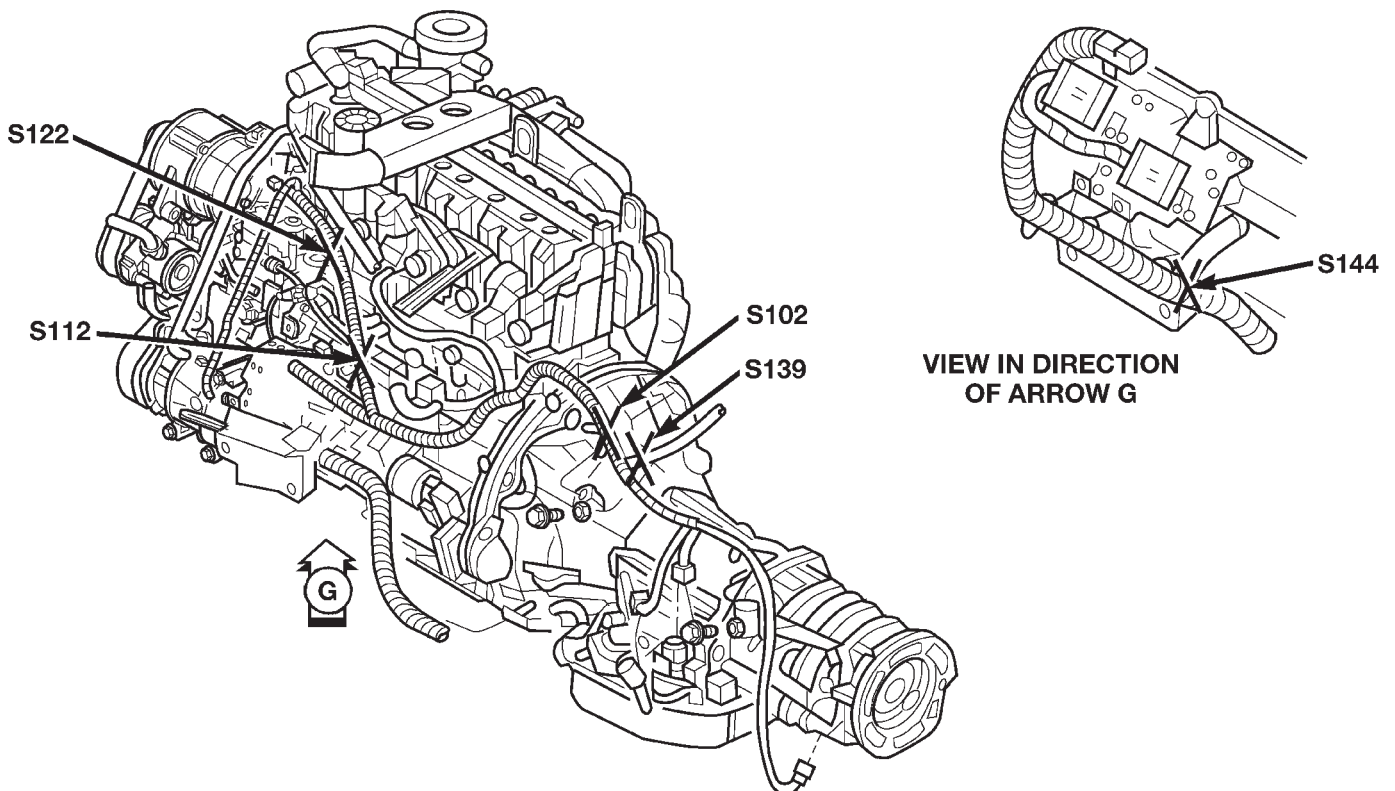


Fig. 9 Engine Splices (Diesel)

80bceaf3

DESCRIPTION AND OPERATION (Continued)

80bbccee

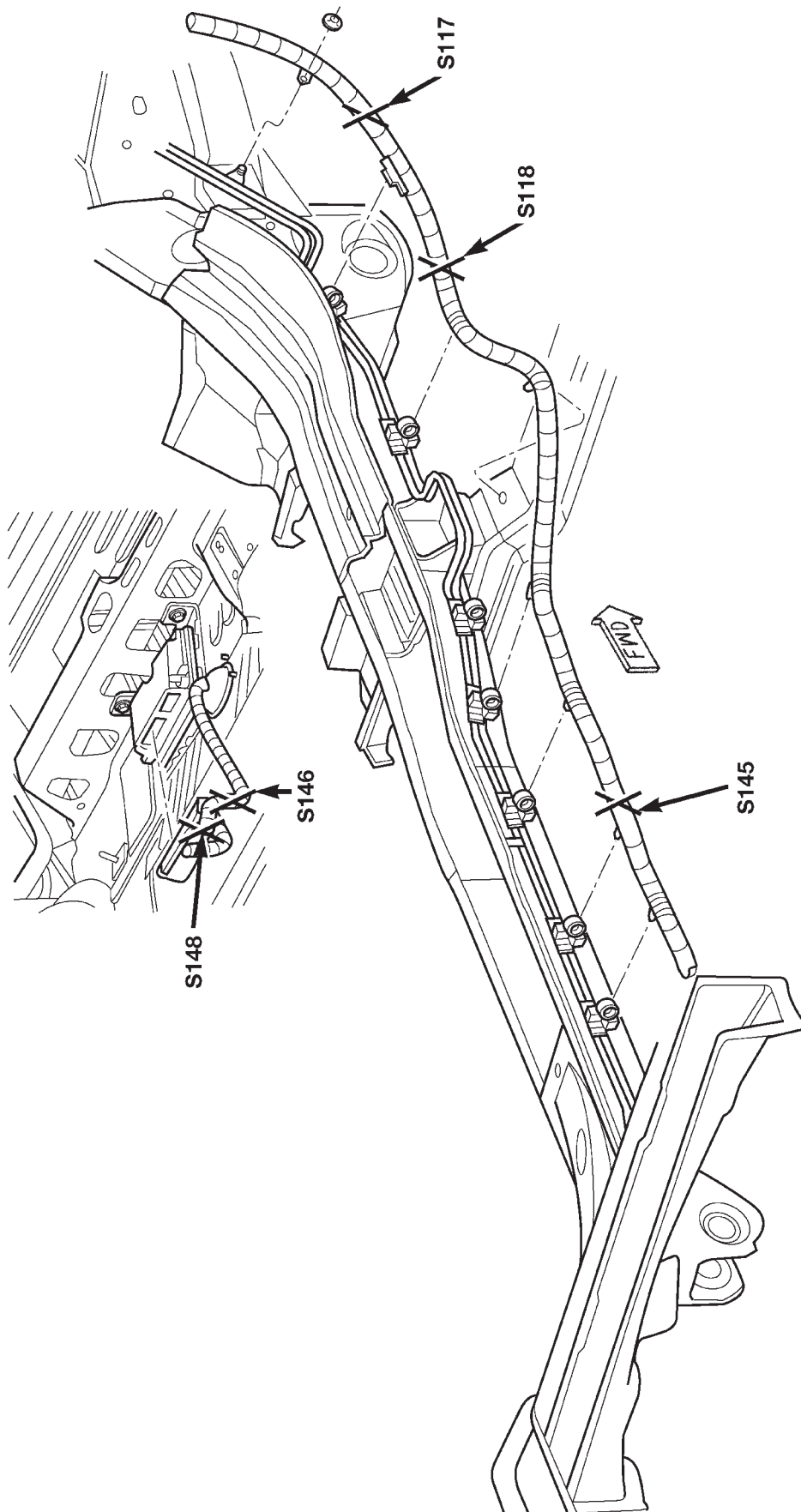


Fig. 10 Engine Splices (Diesel)

DESCRIPTION AND OPERATION (Continued)

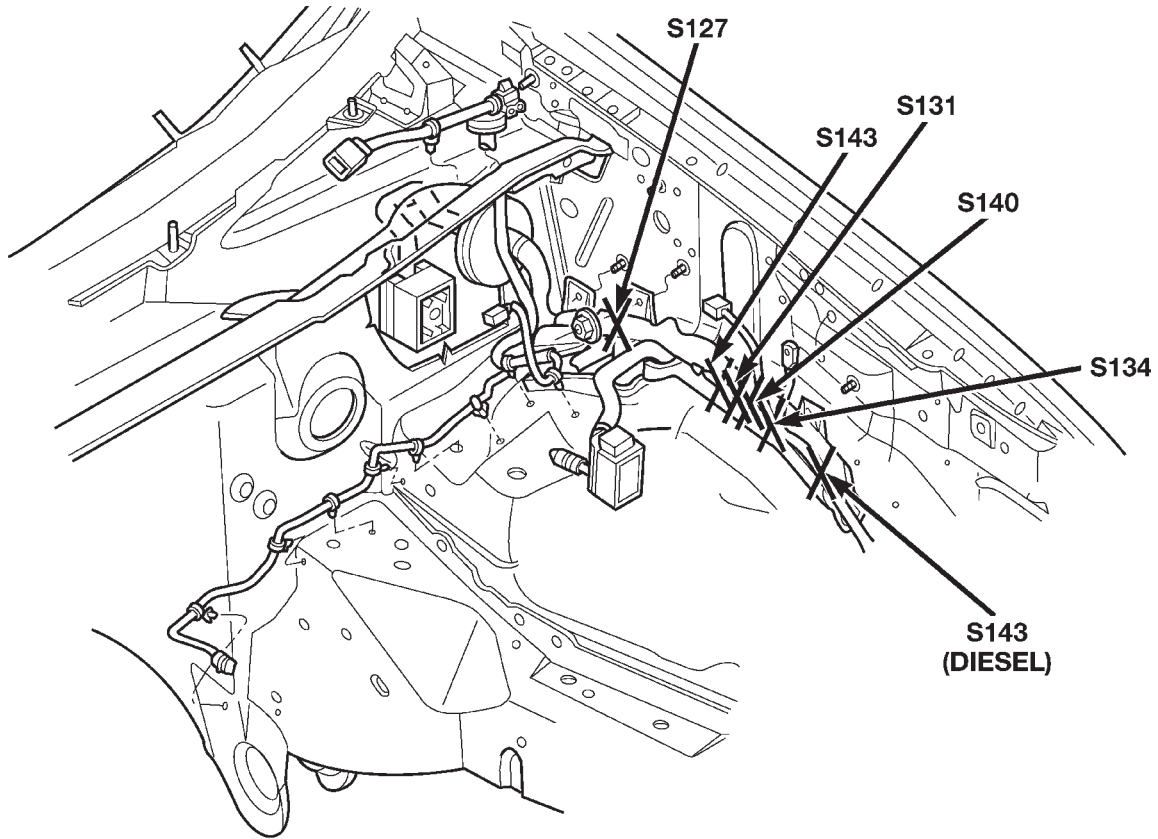


Fig. 11 Engine Compartment Splices (Left Side)

DESCRIPTION AND OPERATION (Continued)

80b196e5

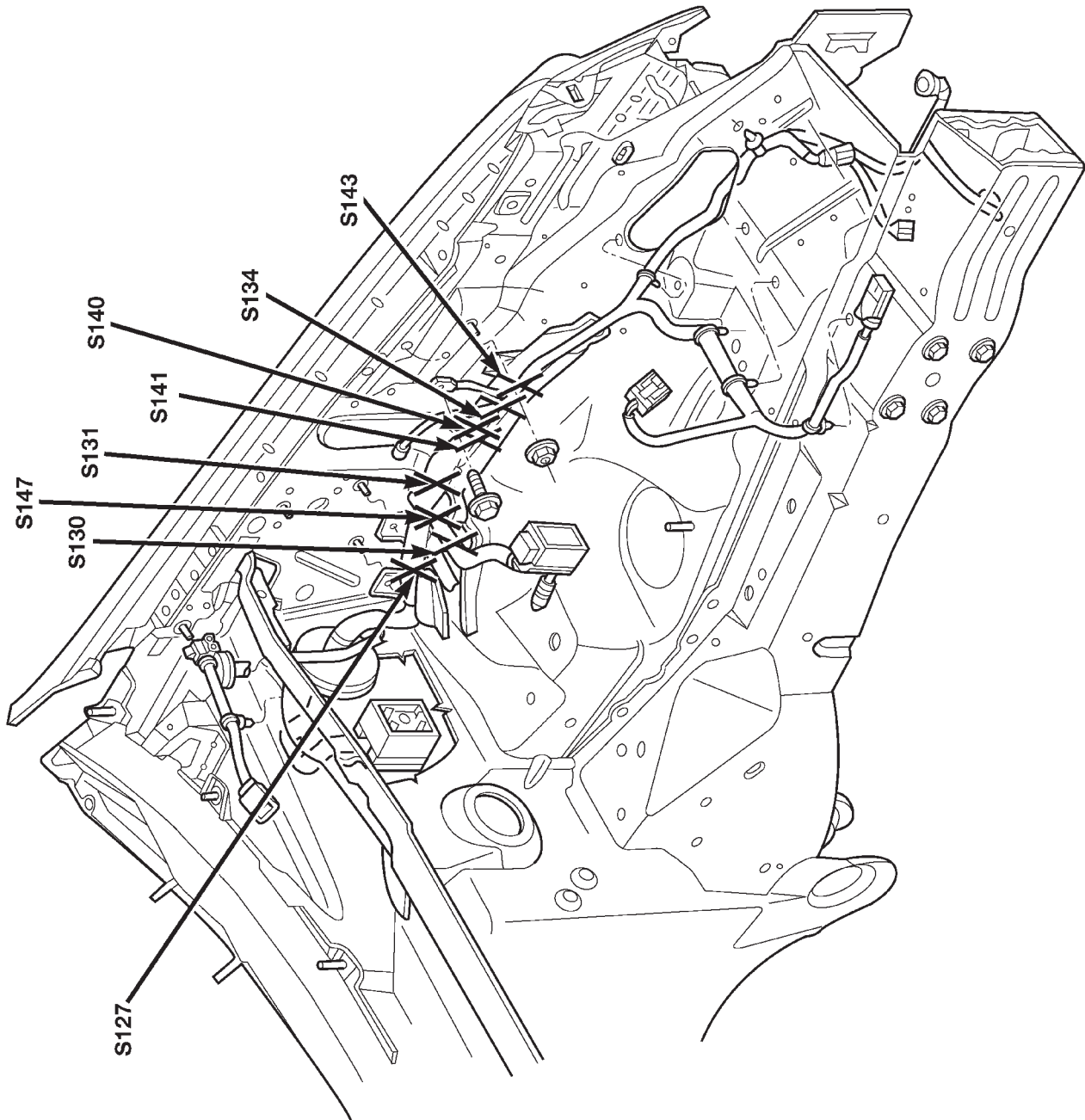


Fig. 12 Engine Compartment Splices (Left Side) RHD

DESCRIPTION AND OPERATION (Continued)

80bf96e6

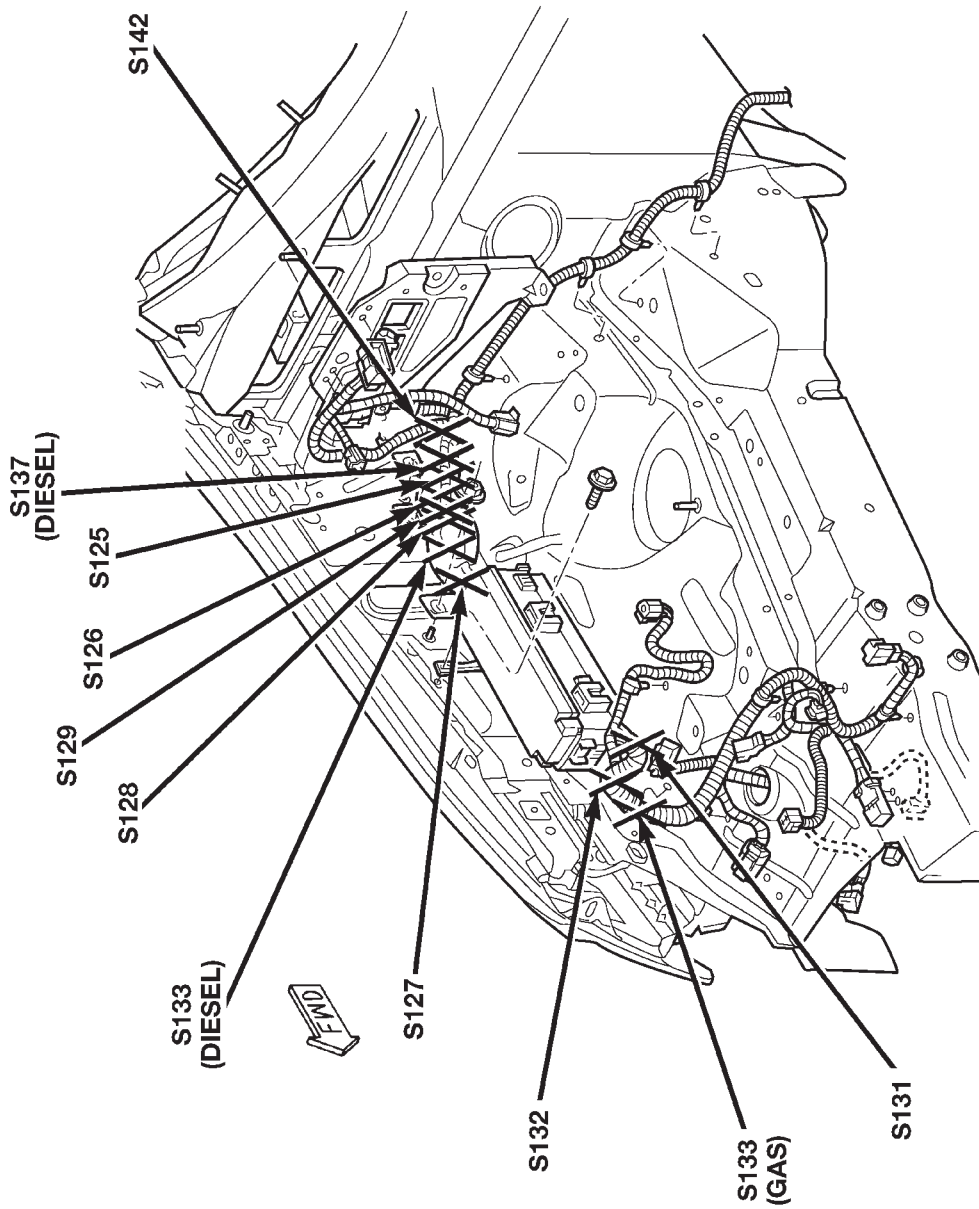


Fig. 13 Engine Compartment Splices (Right Side)

DESCRIPTION AND OPERATION (Continued)

80b196e7

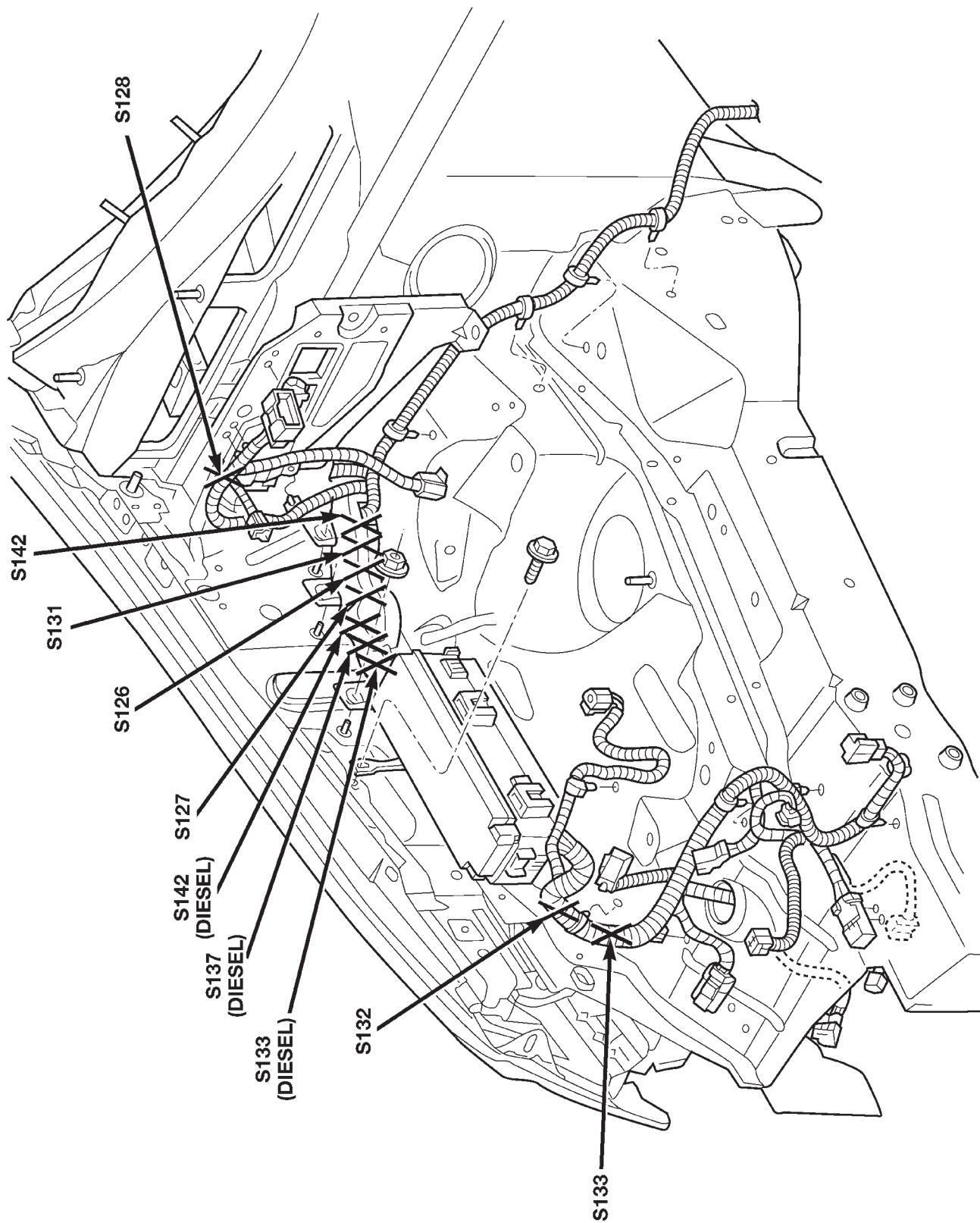


Fig. 14 Engine Compartment Splices (Right Side) RHD

DESCRIPTION AND OPERATION (Continued)

80bbccf4

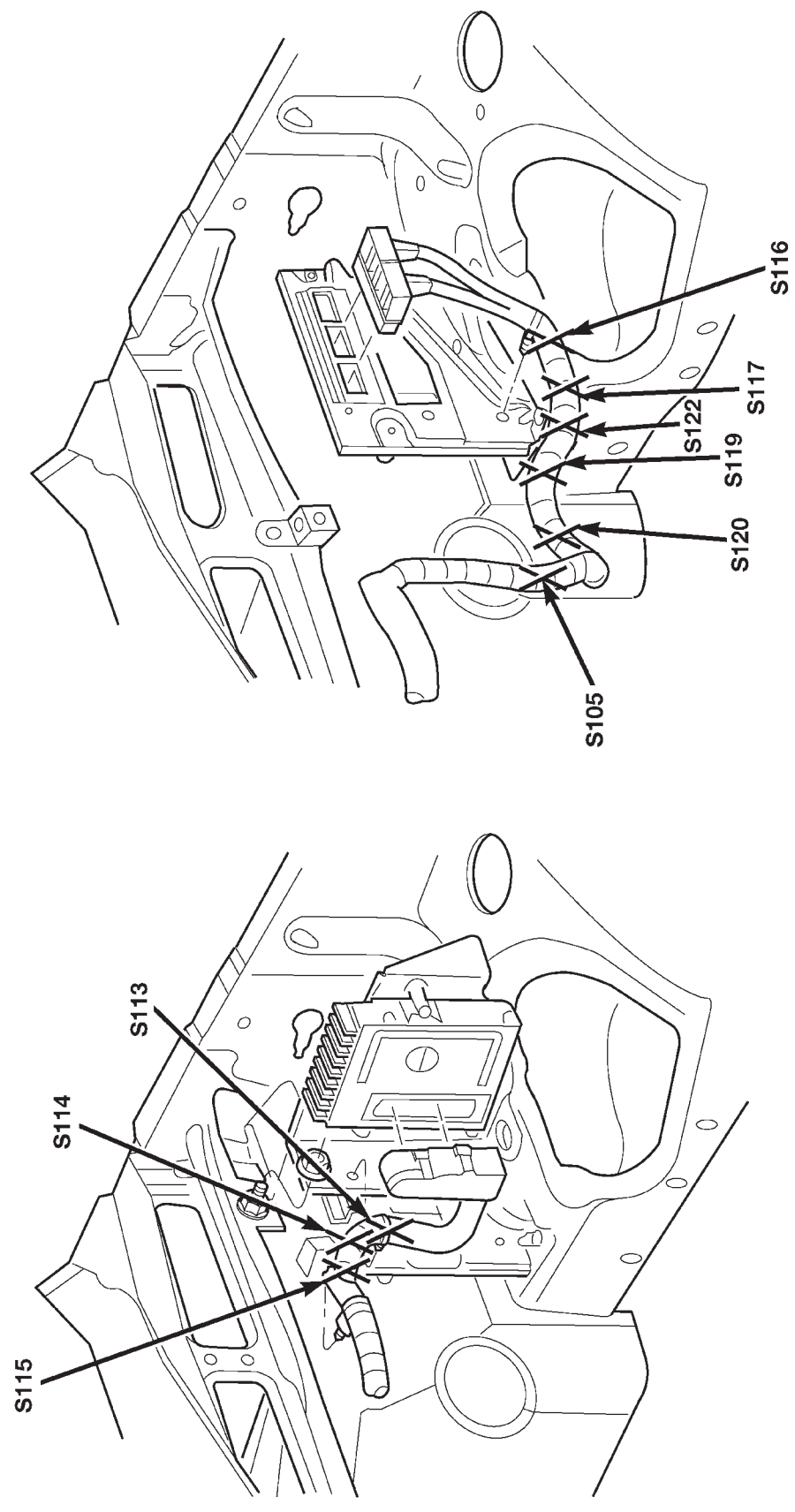


Fig. 15 Engine Compartment Splices RHD

DESCRIPTION AND OPERATION (Continued)

80bbcccf

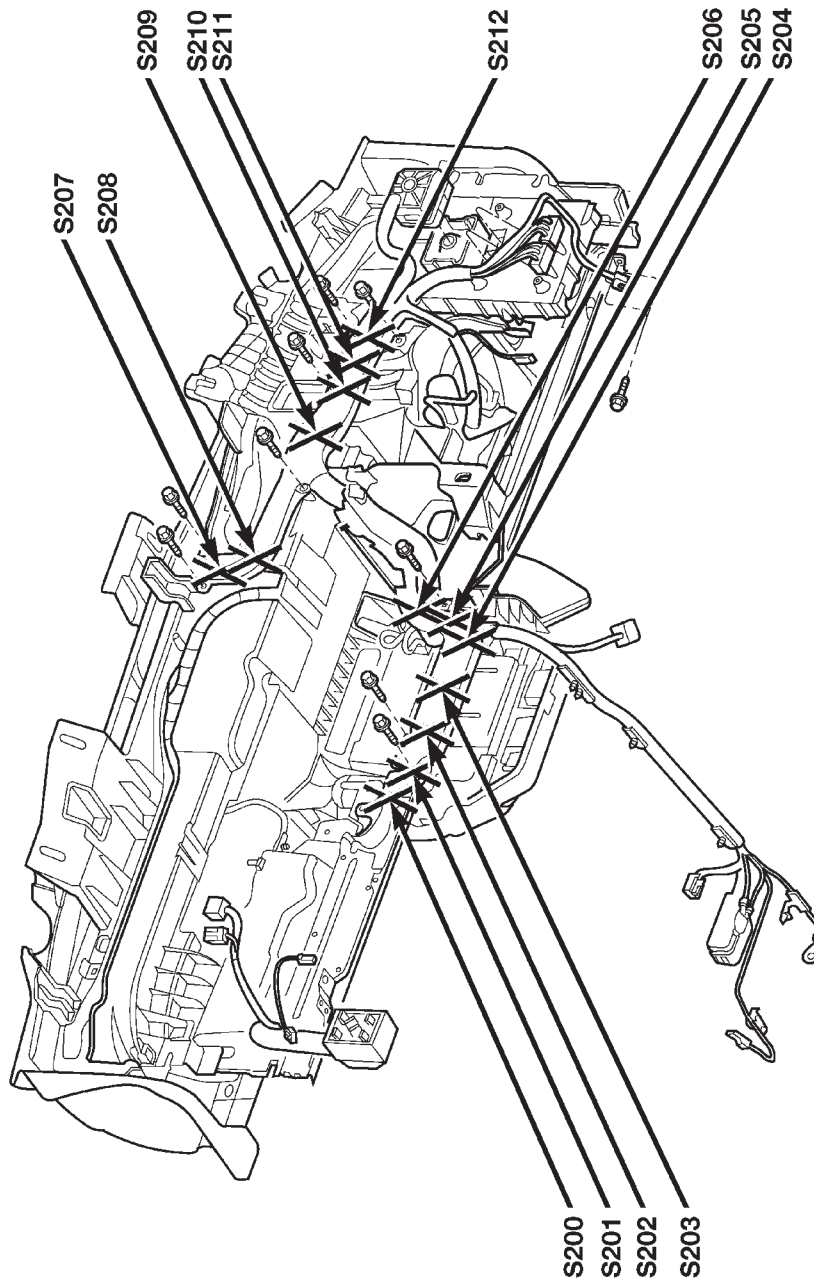


Fig. 16 Instrument Panel Splices

DESCRIPTION AND OPERATION (Continued)

80bbccf5

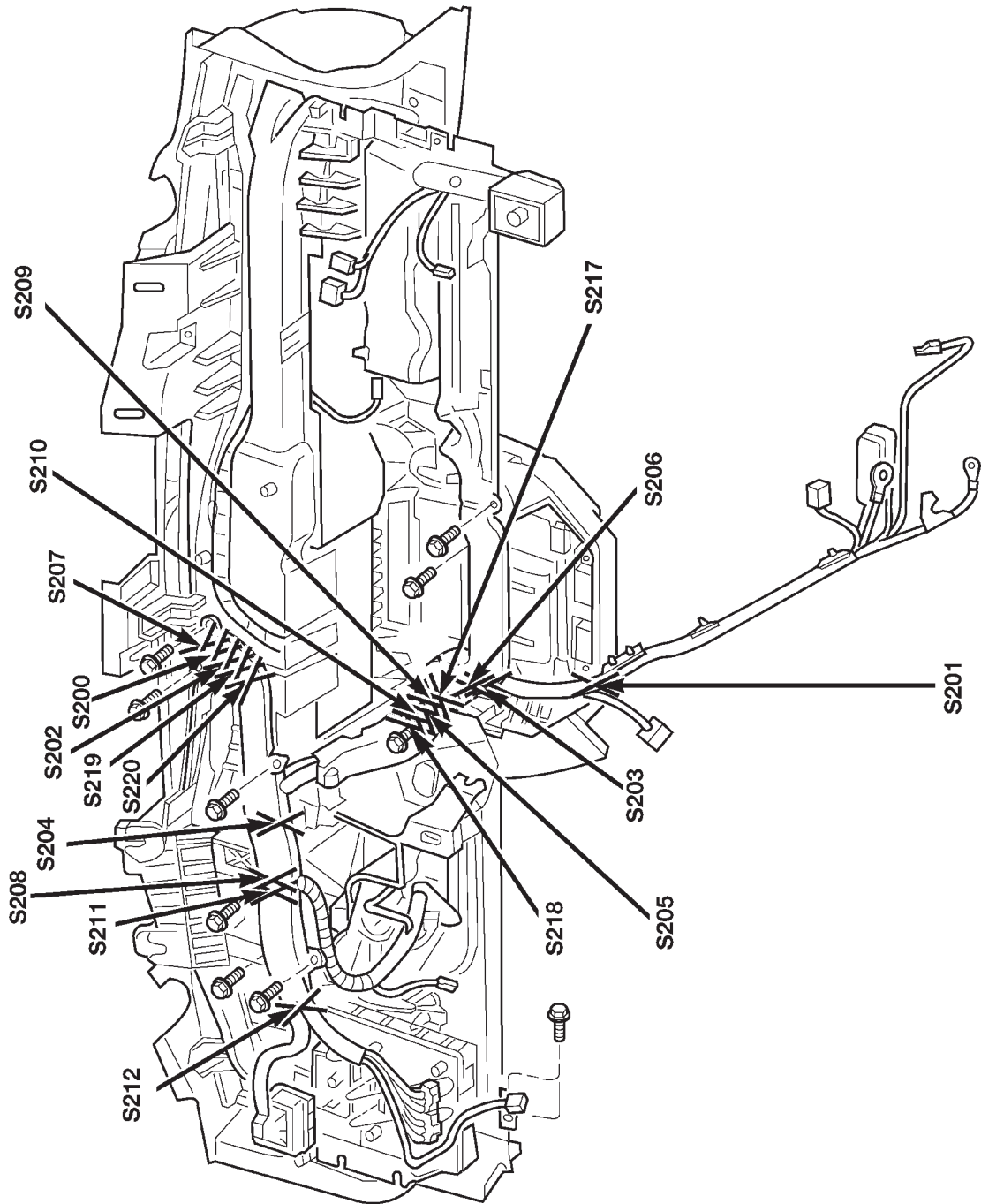
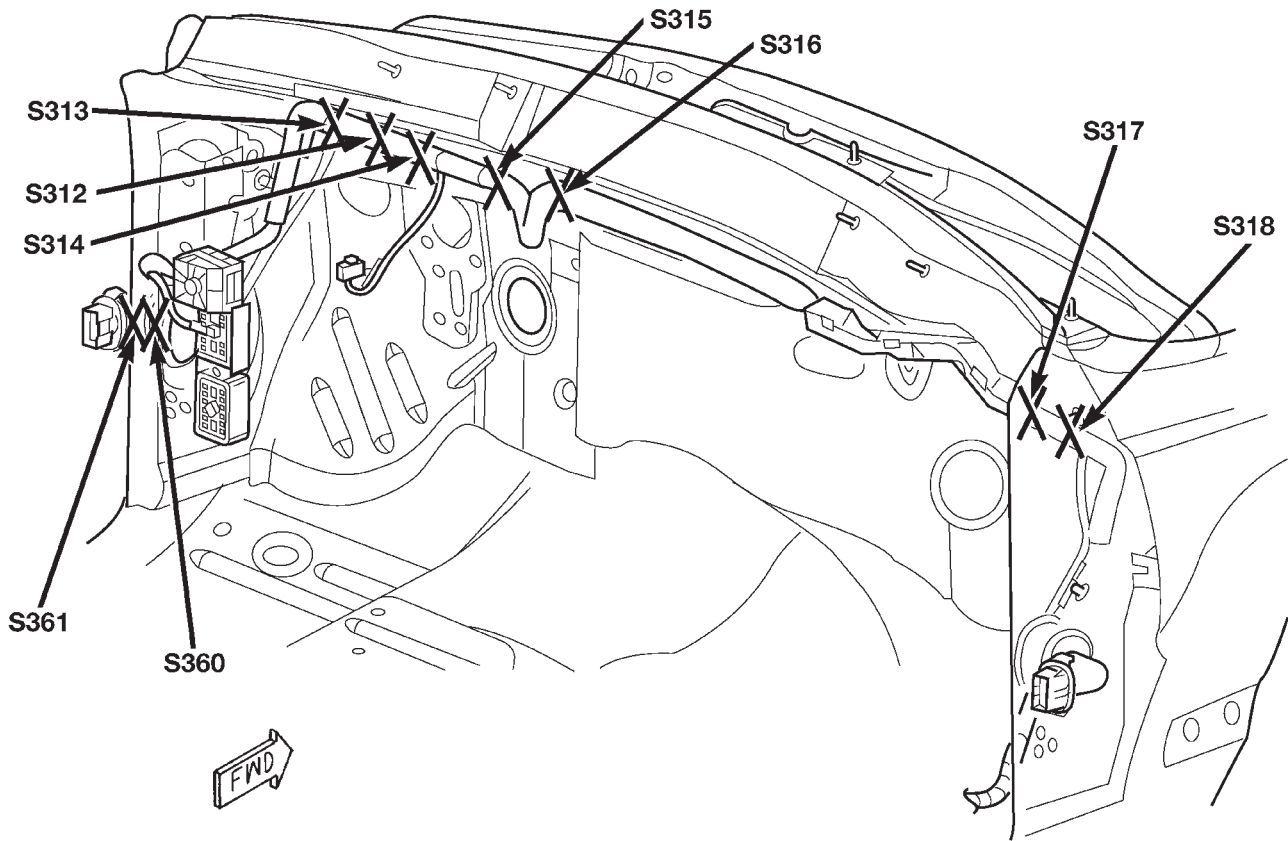


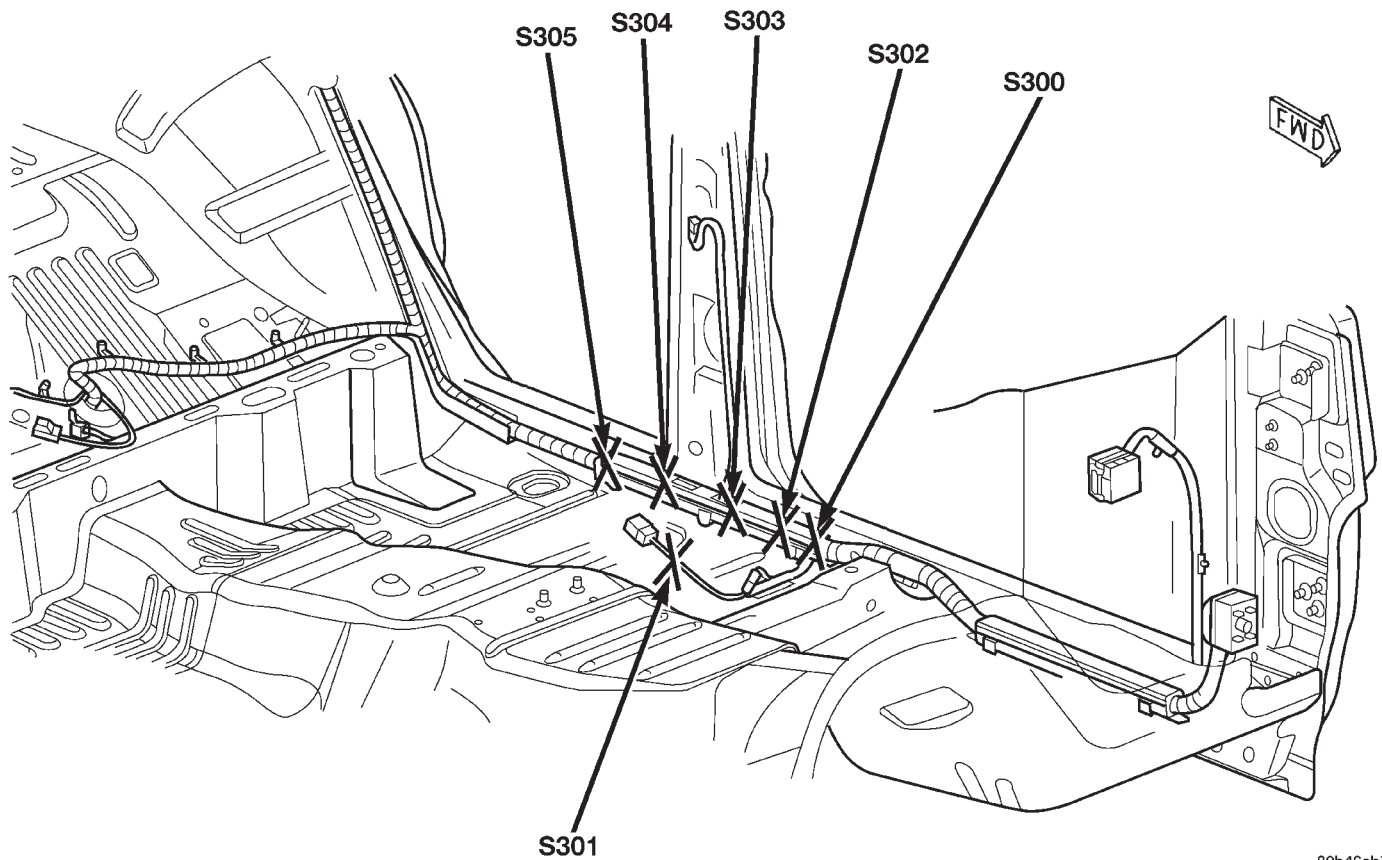
Fig. 17 Instrument Panel Splices RHD

DESCRIPTION AND OPERATION (Continued)



80c06d65

Fig. 18 Body Splices Front



80b46cb7

Fig. 19 Body Splices

DESCRIPTION AND OPERATION (Continued)

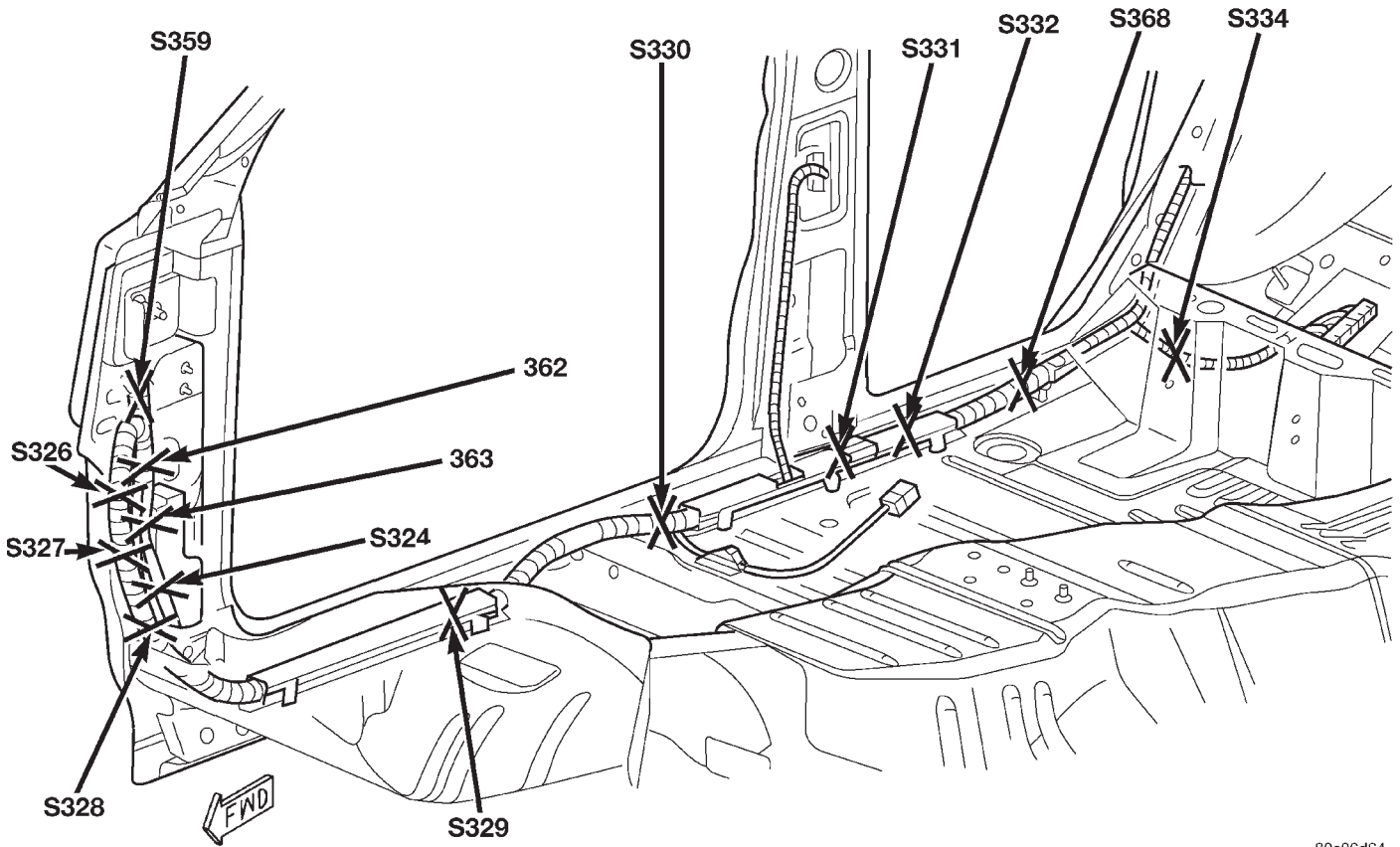


Fig. 20 Body Splices

80c06d64

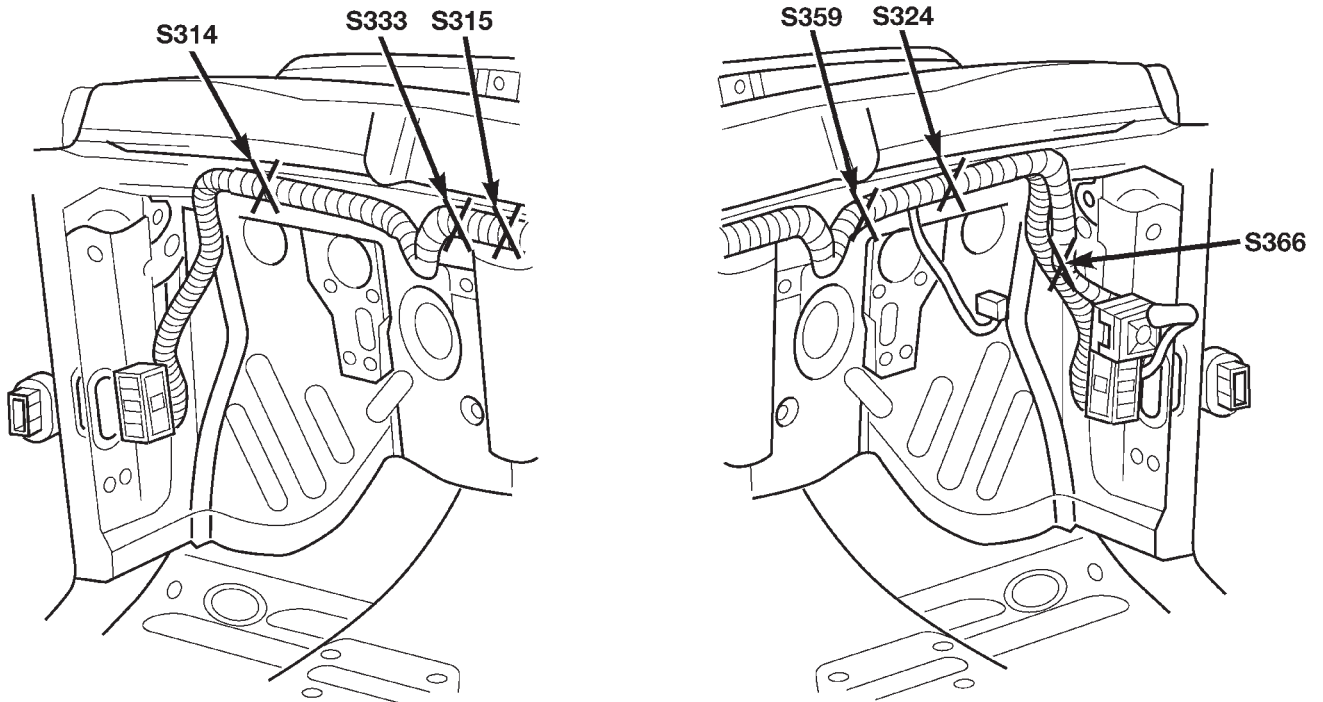


Fig. 21 Kick Panel Area Splices RHD

80bceaff

DESCRIPTION AND OPERATION (Continued)

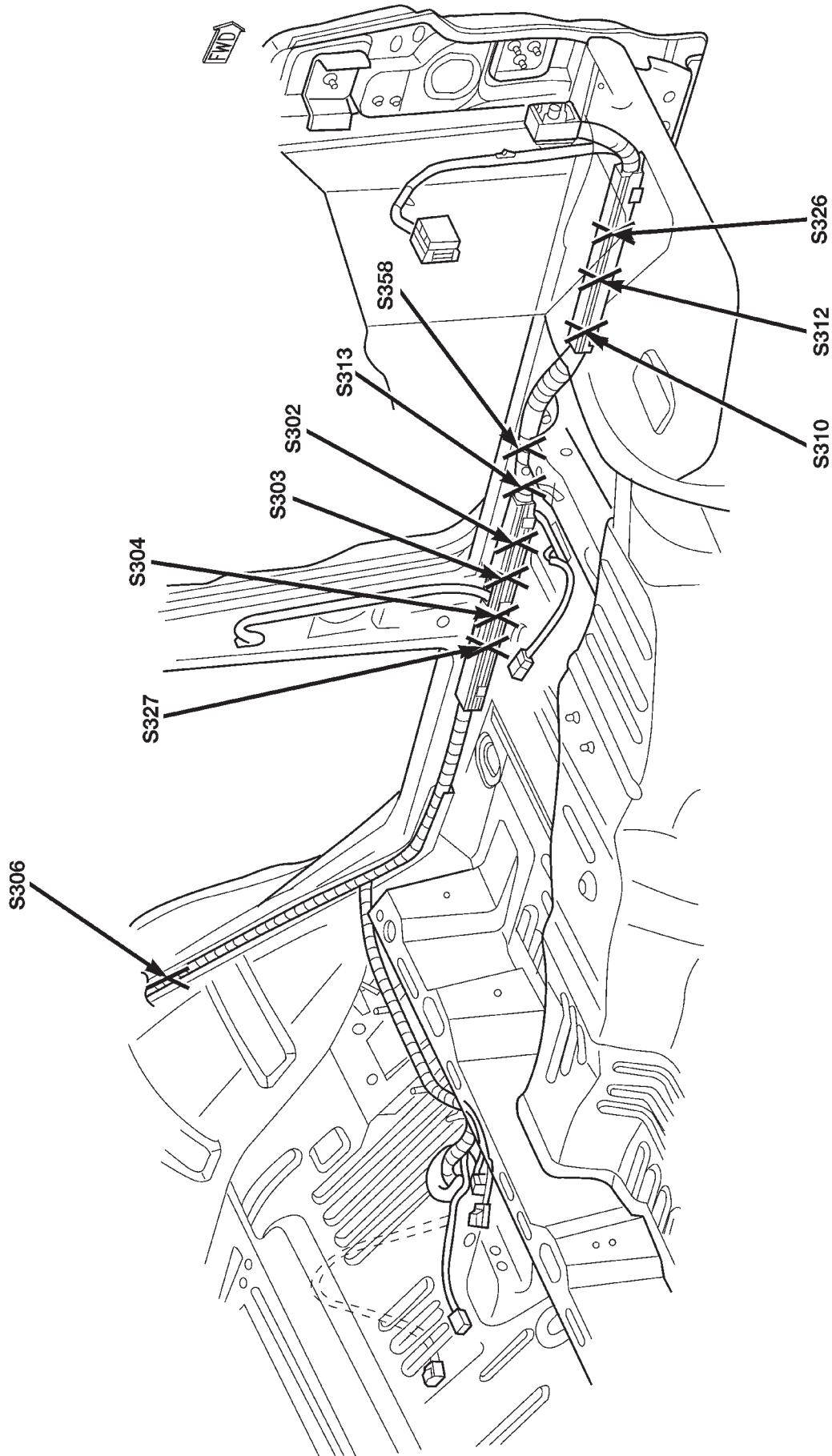


Fig. 22 Body Splices Left Side RHD

DESCRIPTION AND OPERATION (Continued)

80bf96e9

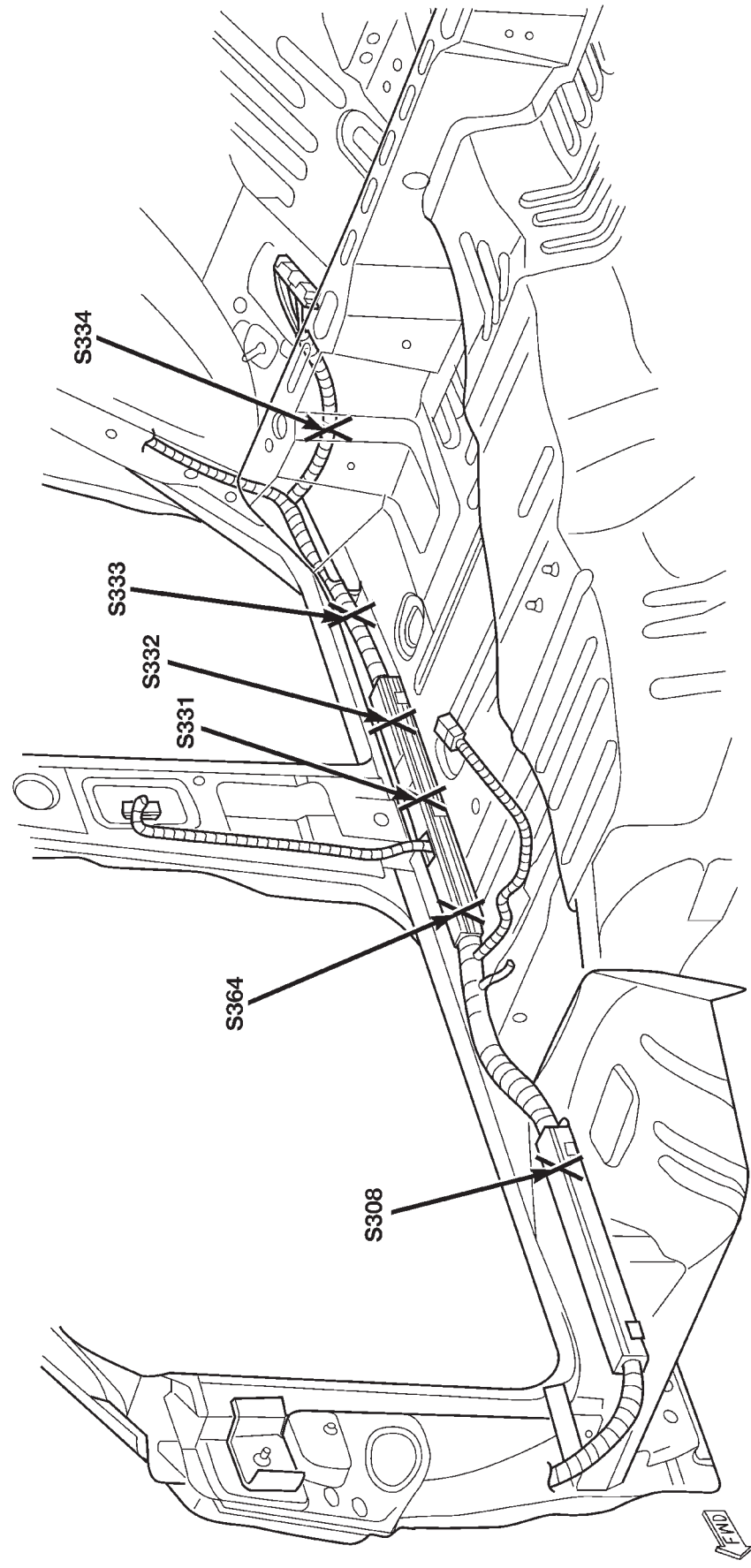


Fig. 23 Body Splices Right Side RHD

DESCRIPTION AND OPERATION (Continued)

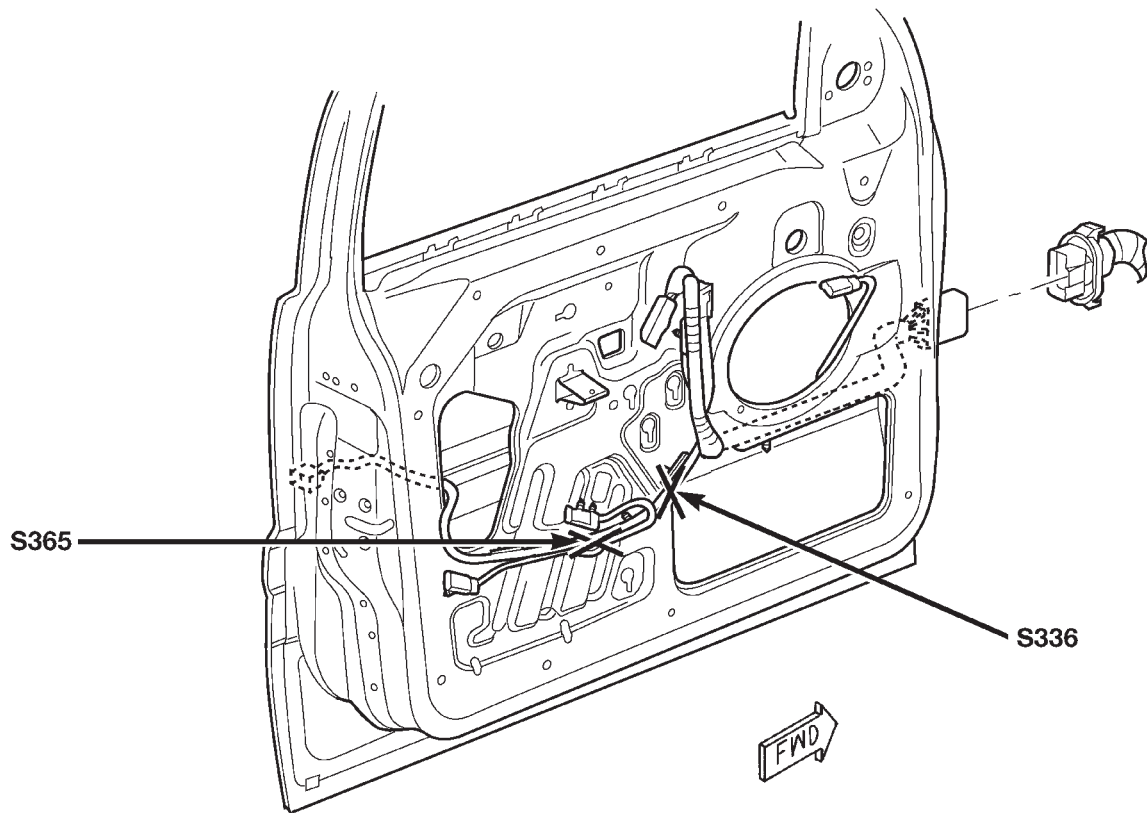


Fig. 24 Driver Door Splices

80c06e73

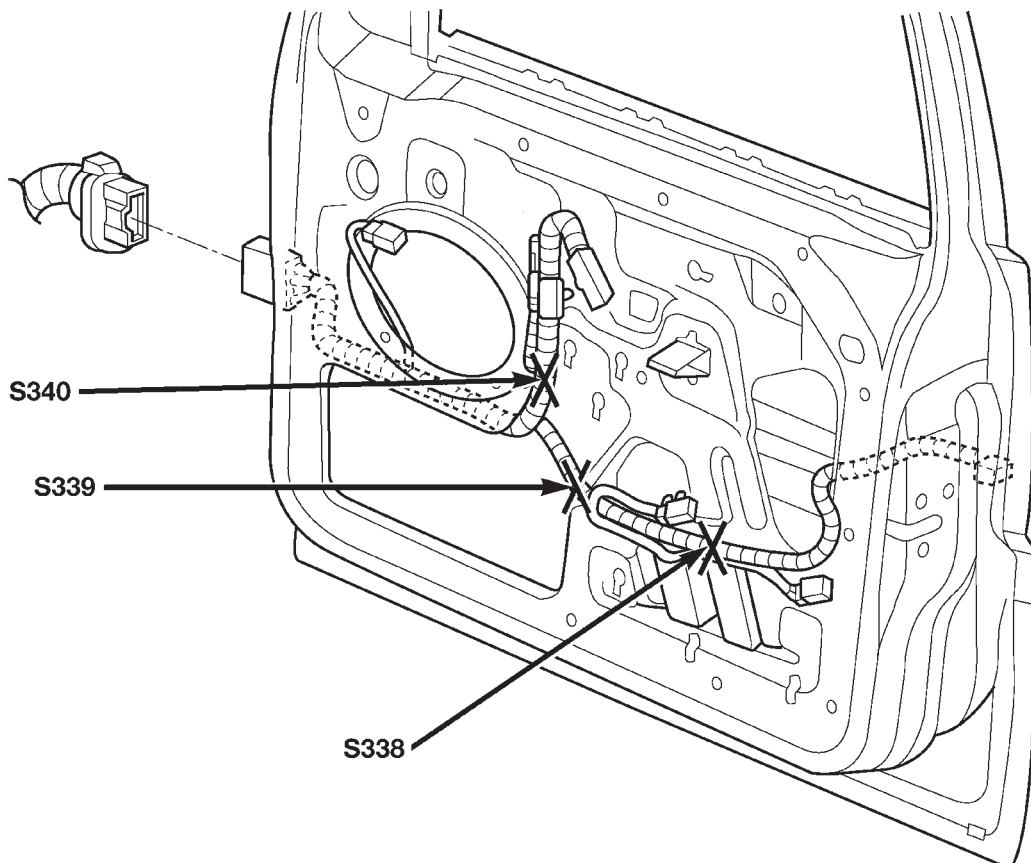


Fig. 25 Passenger Door Splices

80c06d67

DESCRIPTION AND OPERATION (Continued)

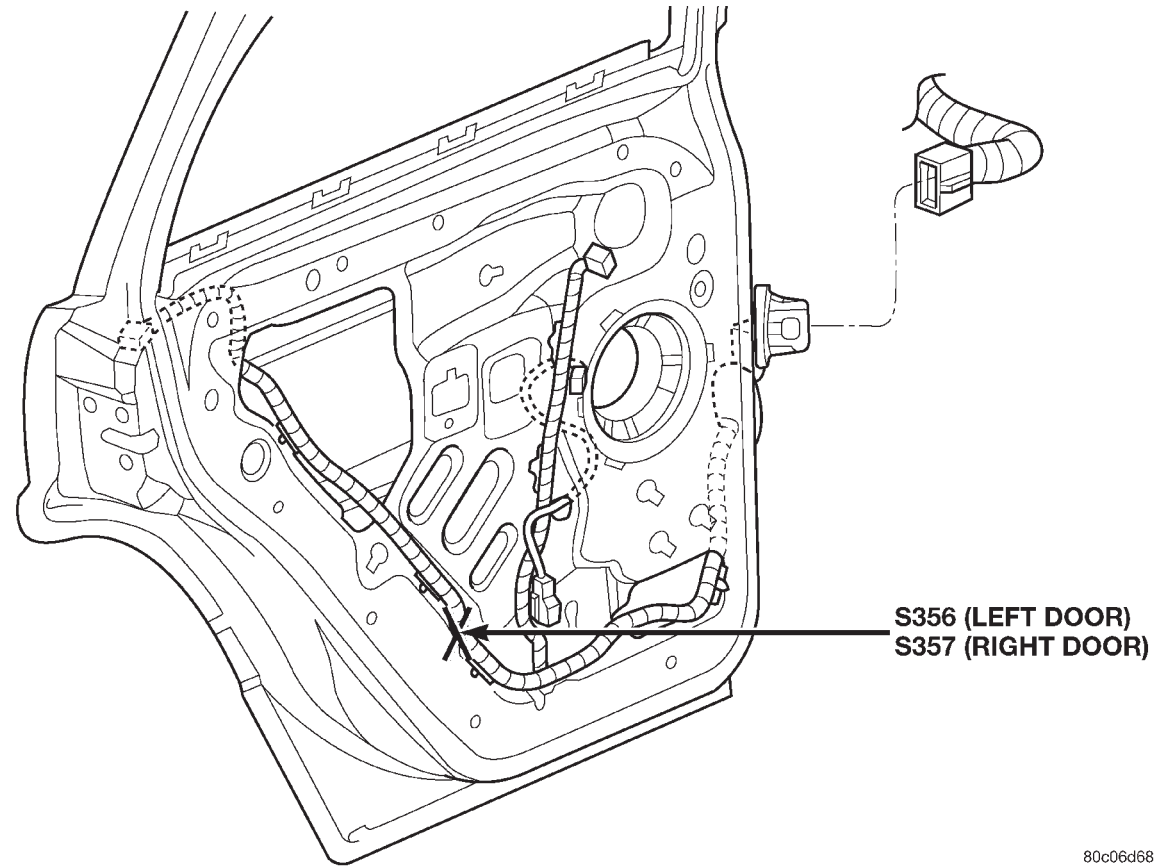


Fig. 26 Rear Door Splices

80c06d68

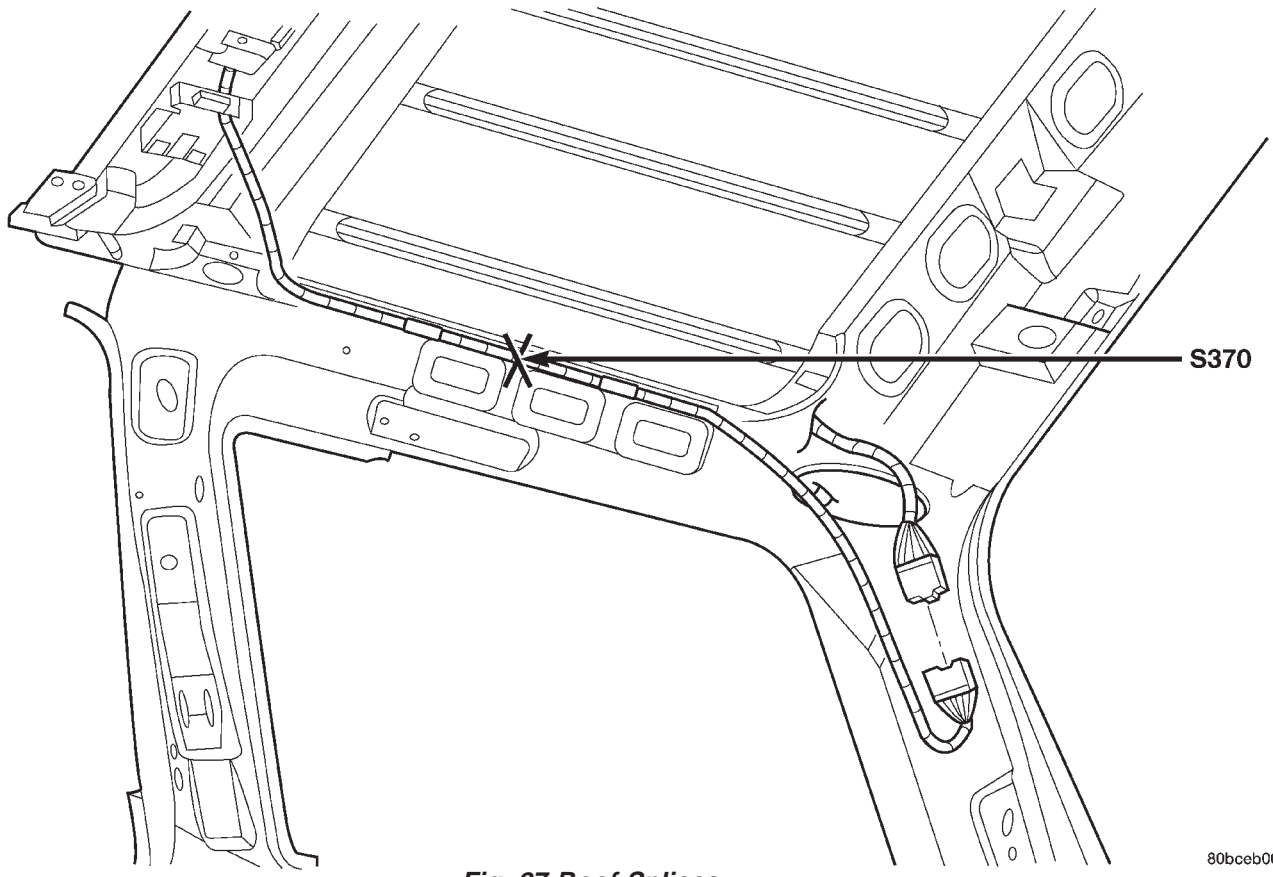
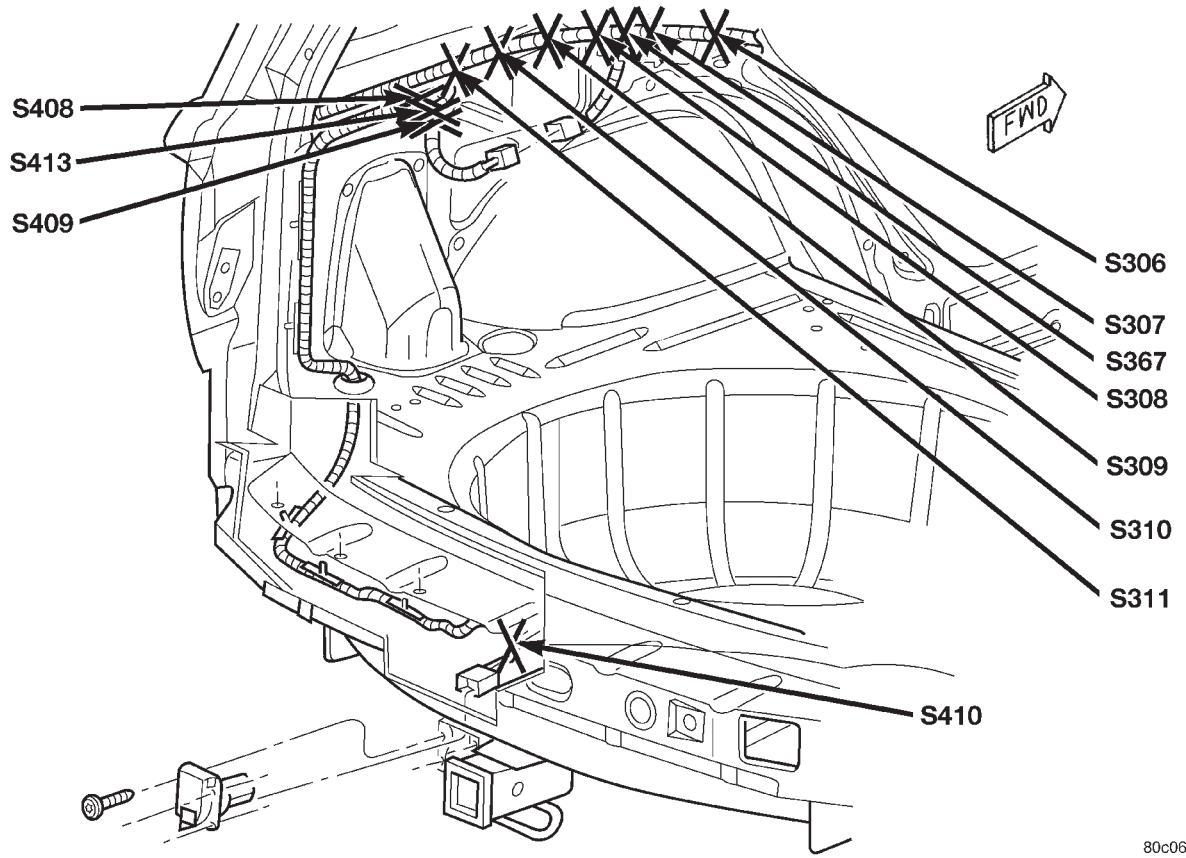


Fig. 27 Roof Splices

80bceb00

DESCRIPTION AND OPERATION (Continued)



80c06e74

Fig. 28 Trailer Tow/Body Splices

